

US00D542321S

(12) **United States Design Patent**  
**Takahashi**

(10) **Patent No.:** **US D542,321 S**

(45) **Date of Patent:** **\*\* May 8, 2007**

(54) **SINGLE-LENS REFLEX DIGITAL CAMERA BODY**

D491,593 S \* 6/2004 Haga ..... D16/202  
D497,173 S \* 10/2004 Ogura ..... D16/202  
D514,610 S \* 2/2006 Urushihata ..... D16/202  
D524,346 S \* 7/2006 Haga ..... D16/202

(75) Inventor: **Jun Takahashi**, Hachioji (JP)

(73) Assignee: **Olympus Imaging Corporation**, Tokyo (JP)

(\*\*) Term: **14 Years**

(21) Appl. No.: **29/238,306**

(22) Filed: **Sep. 13, 2005**

(30) **Foreign Application Priority Data**

Aug. 10, 2005 (JP) ..... 2005-023339

(51) **LOC (8) Cl.** ..... **16-01**

(52) **U.S. Cl.** ..... **D16/217; D16/202**

(58) **Field of Classification Search** ..... D16/200-206,  
D16/208, 216, 217, 218; 348/373-376; 358/909.1;  
396/176, 177, 354-359, 535-541

See application file for complete search history.

(56) **References Cited**

**U.S. PATENT DOCUMENTS**

5,253,003 A \* 10/1993 Fujii et al. .... 396/176  
D411,218 S \* 6/1999 Kumakura et al. .... D16/217  
D415,513 S \* 10/1999 Fujii ..... D16/217  
6,351,609 B1 \* 2/2002 Hosokawa et al. .... 396/177  
D471,222 S \* 3/2003 Matsumura ..... D16/217  
D474,796 S \* 5/2003 Matsuda ..... D16/217

**OTHER PUBLICATIONS**

<http://cweb.canon.jp/newsrelease/2005-02/pr-eoskd-n.html>.

\* cited by examiner

*Primary Examiner*—Adir Aronovich

(74) *Attorney, Agent, or Firm*—Hogan & Hartson LLP

(57) **CLAIM**

The ornamental design for a single-lens reflex digital camera body, as shown and described.

**DESCRIPTION**

FIG. 1 is a front, top and right side perspective view of a single-lens reflex digital camera body showing my new design;

FIG. 2 is a rear, bottom and left side perspective view thereof;

FIG. 3 is a front elevational view thereof;

FIG. 4 is a rear elevational view thereof;

FIG. 5 is a top plan view thereof;

FIG. 6 is a bottom plan view thereof;

FIG. 7 is a right side elevational view thereof; and,

FIG. 8 is a left side elevational view thereof.

**1 Claim, 8 Drawing Sheets**

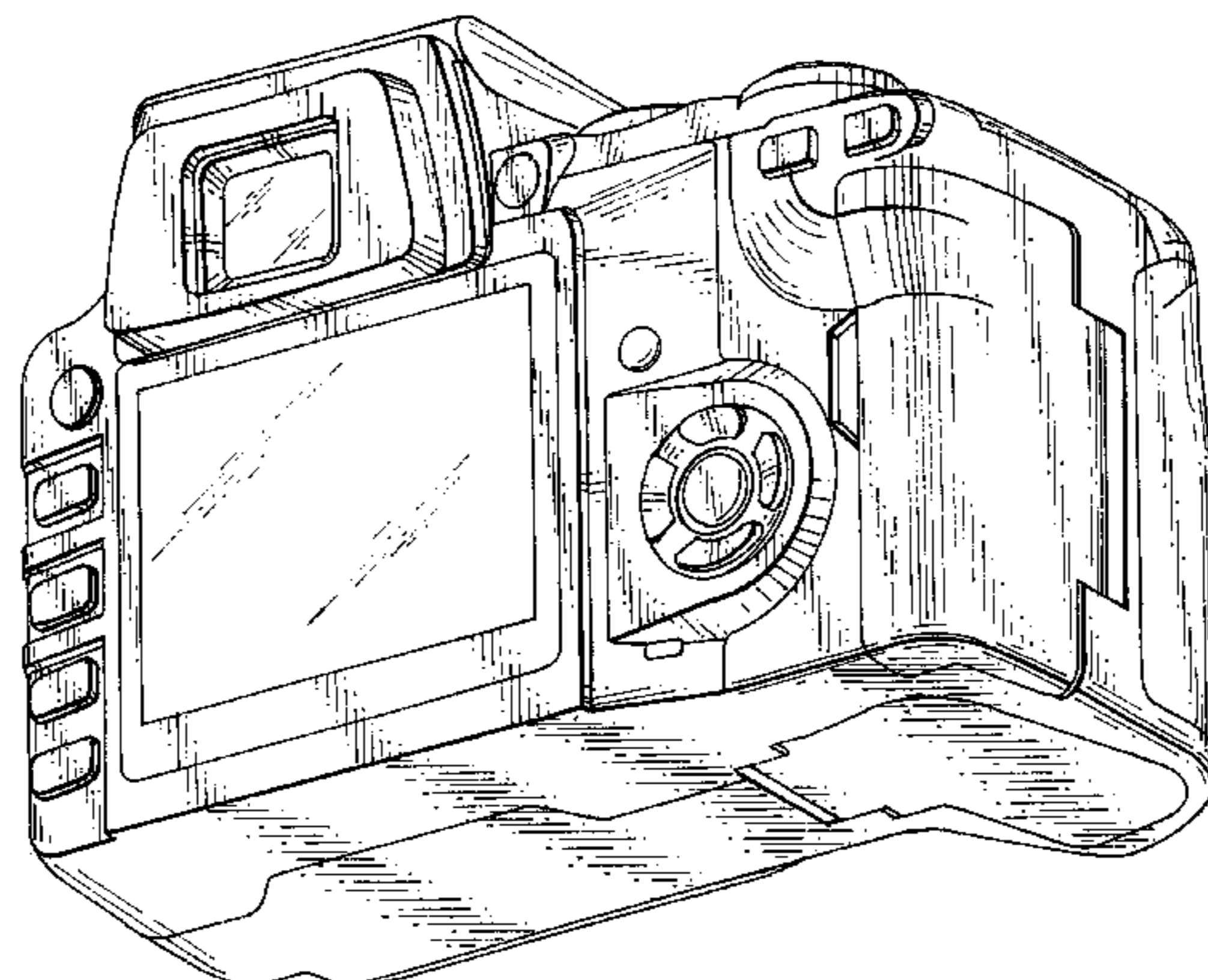
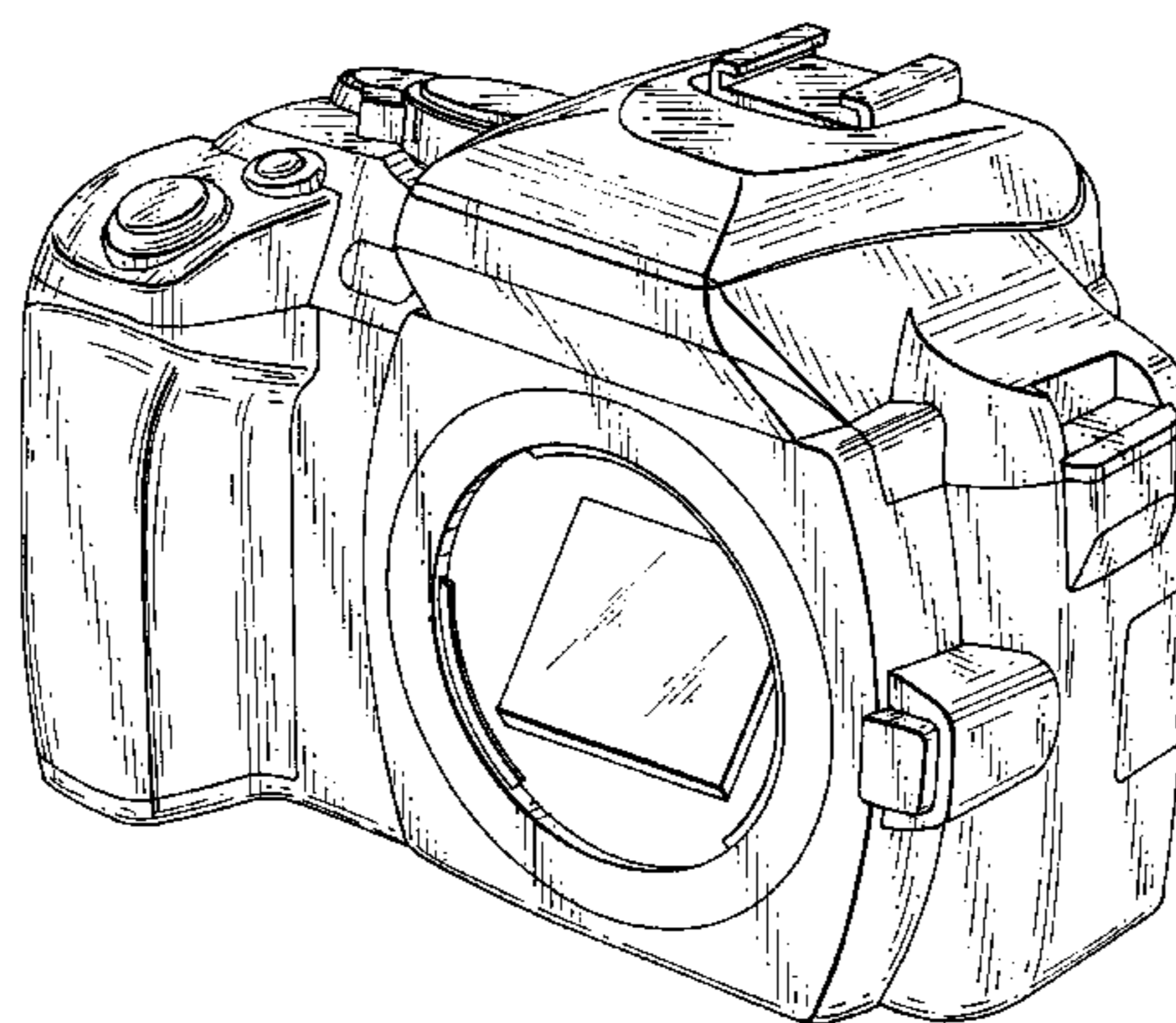


FIG.1

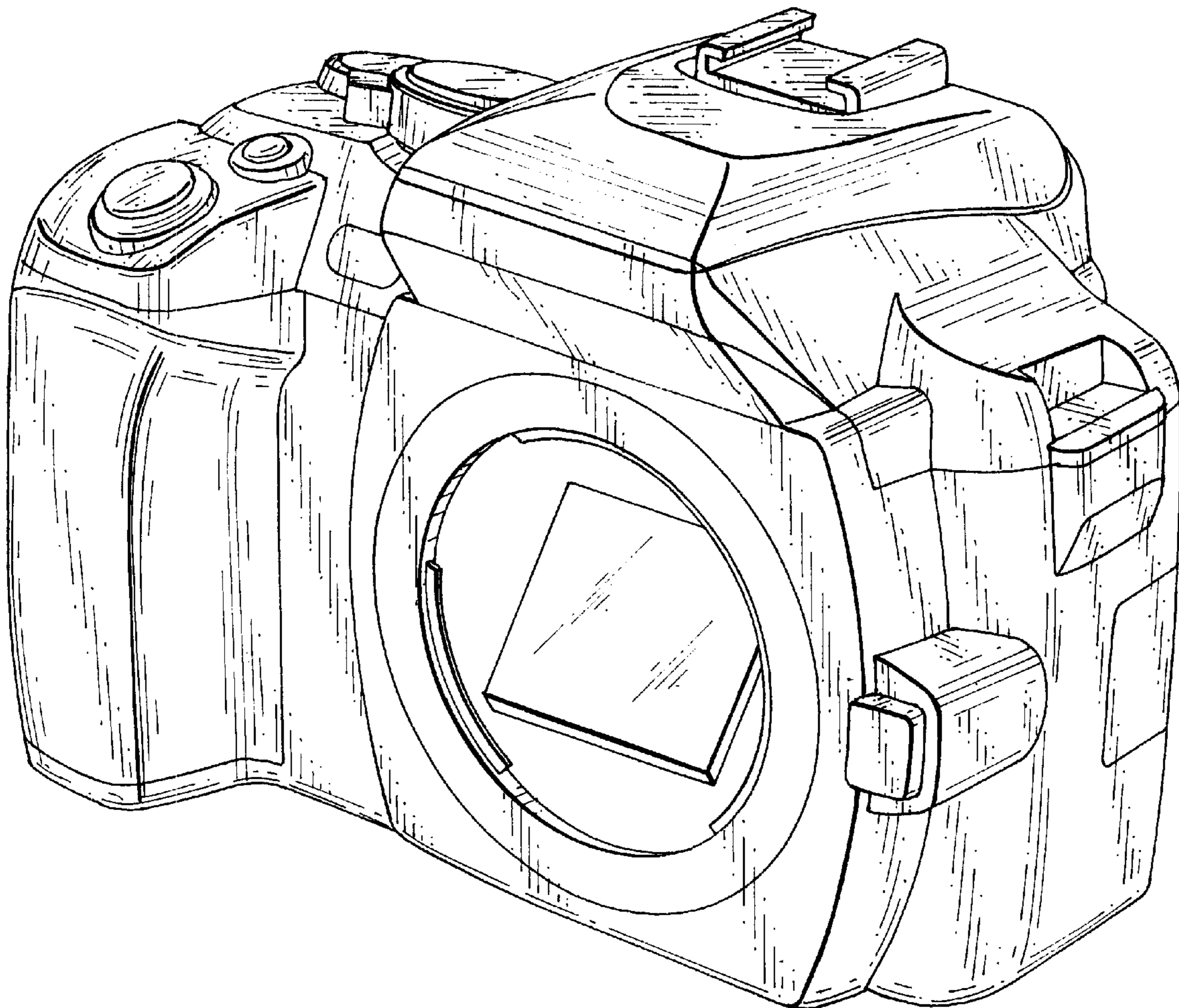


FIG.2

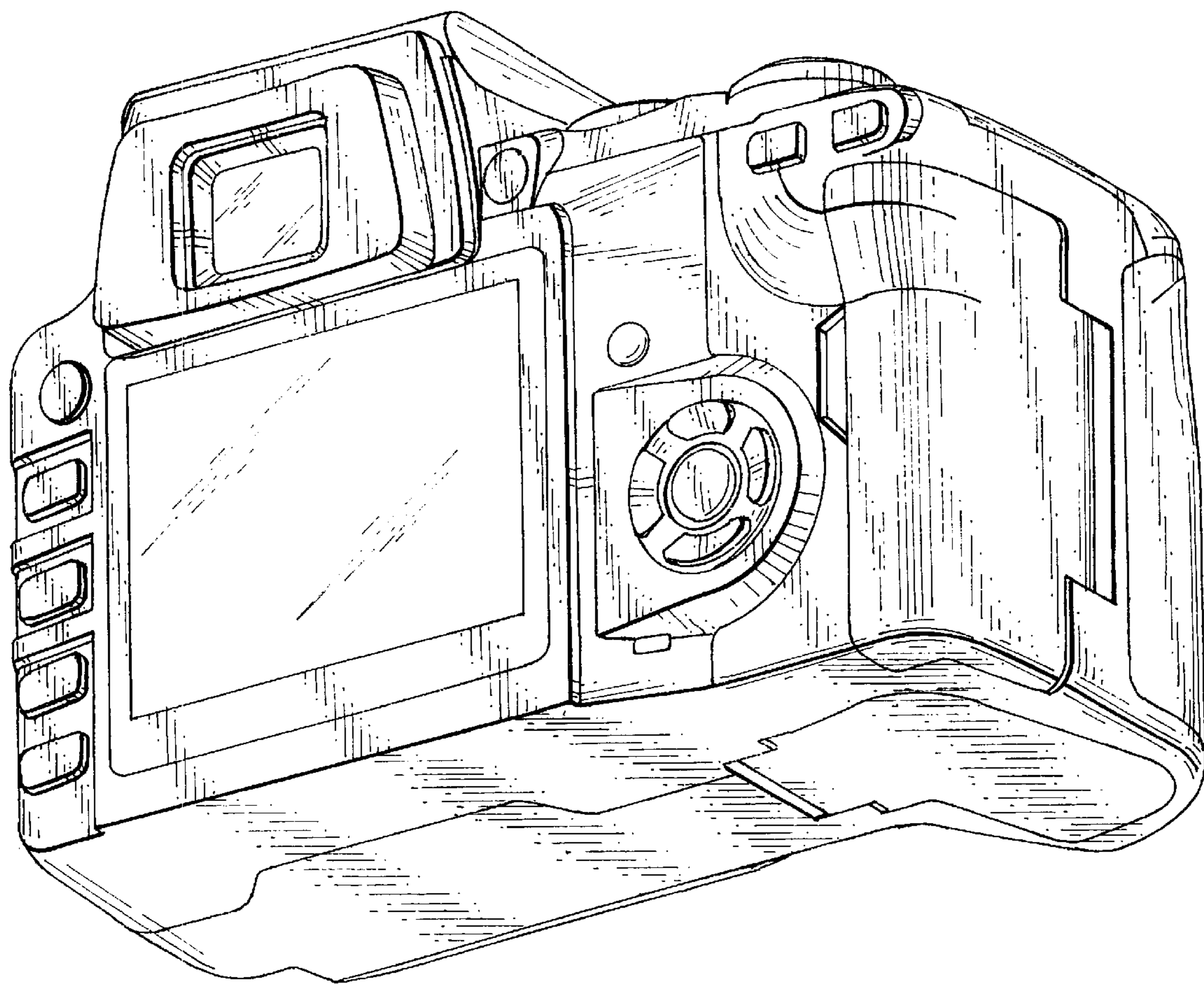


FIG.3

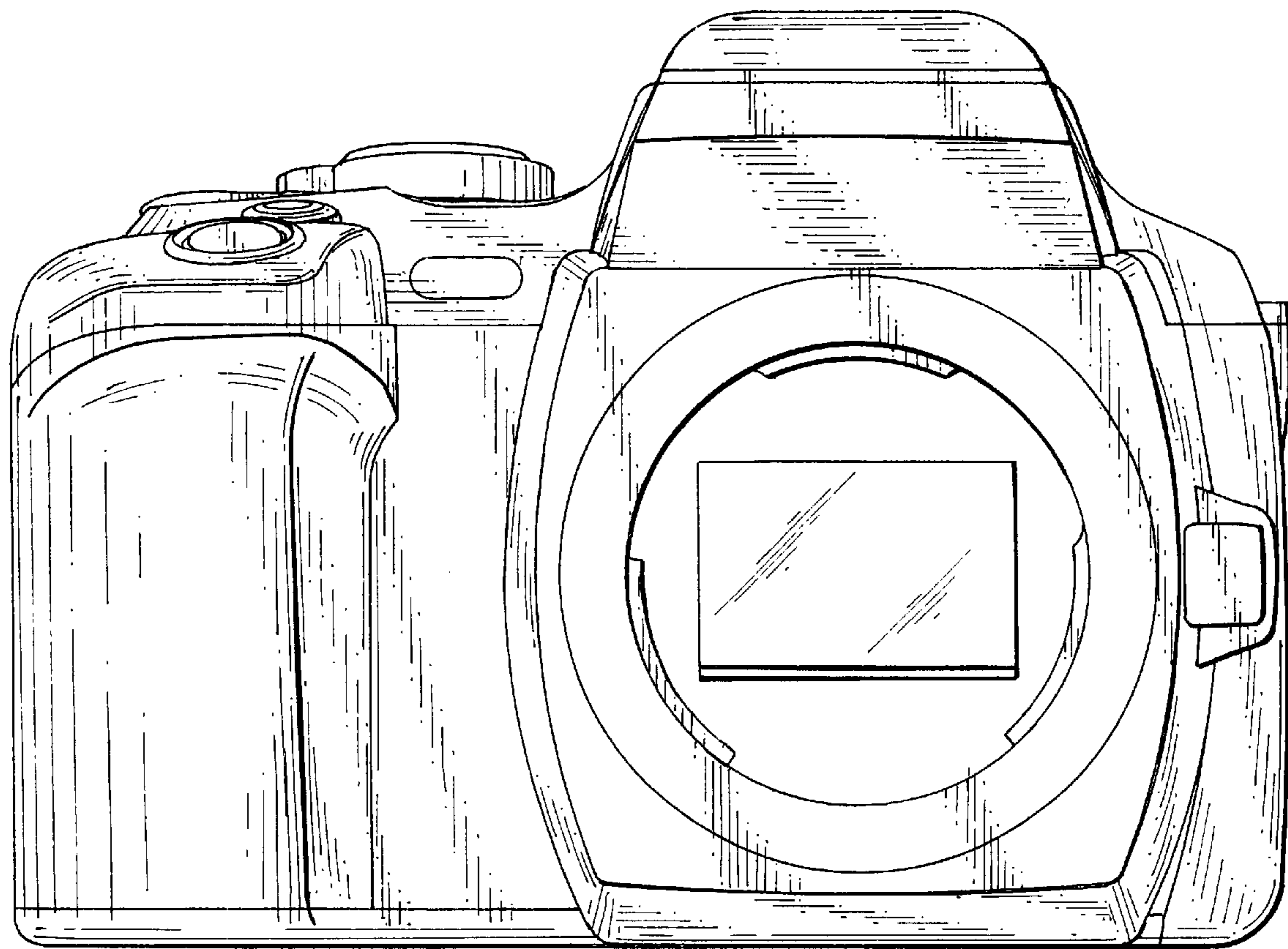


FIG.4

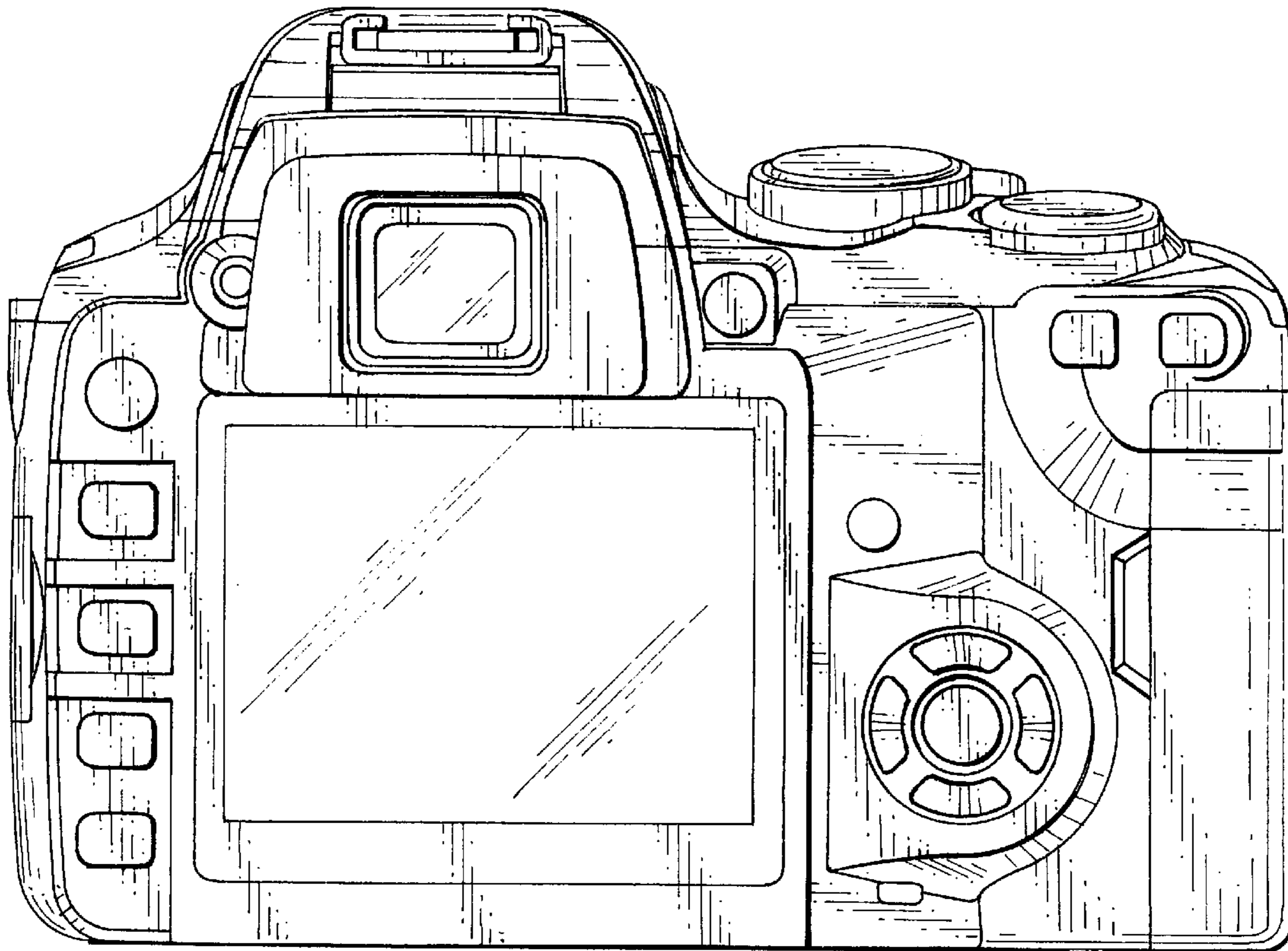


FIG.5

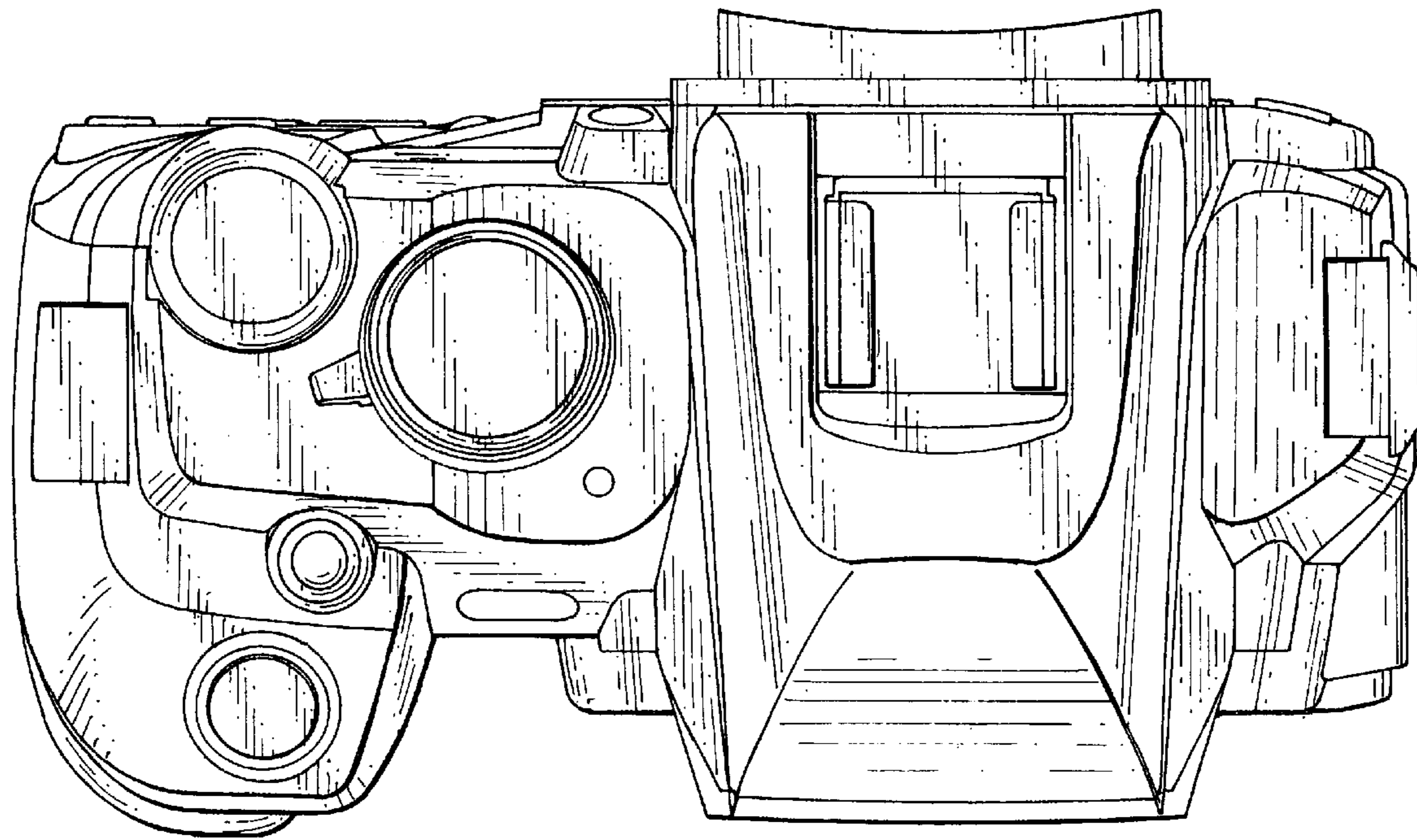


FIG.6

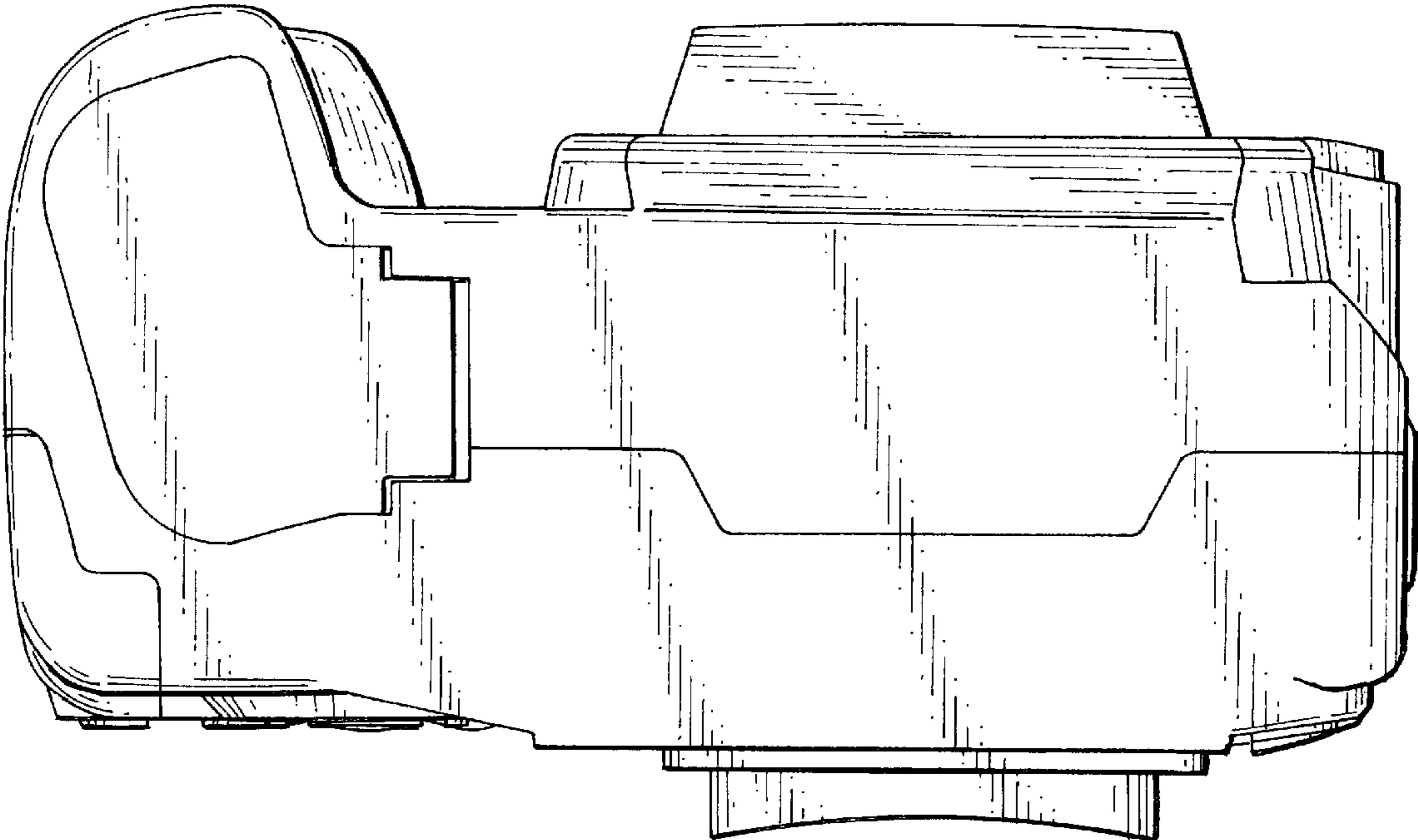


FIG.7

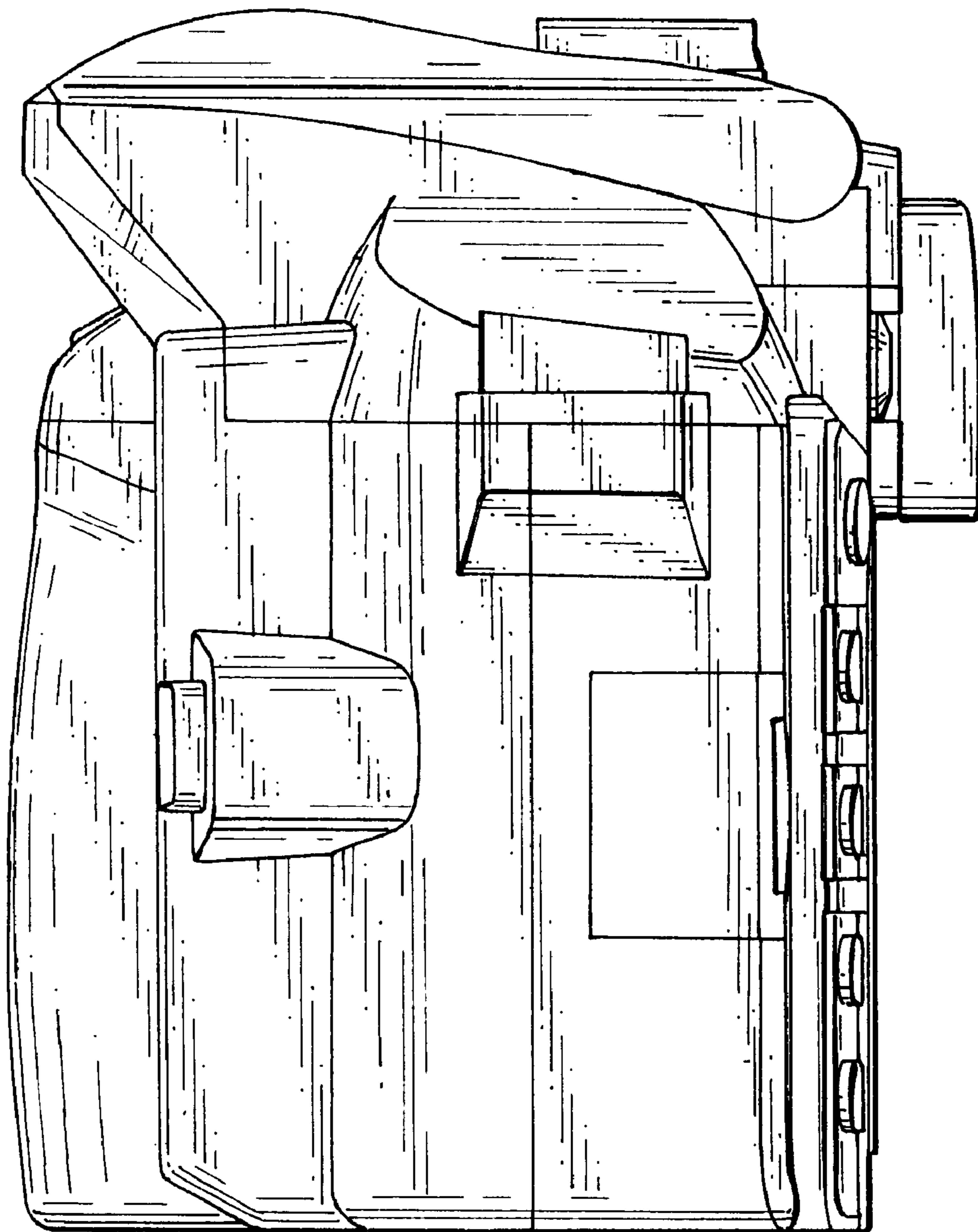




FIG.8

