



US00D542320S

(12) **United States Design Patent**
Cheng

(10) **Patent No.:** **US D542,320 S**

(45) **Date of Patent:** **** May 8, 2007**

(54) **INFRARED MONITORING VIDEO CAMERA**

(76) Inventor: **Yi-Jen Cheng**, 9F, No. 21, Sec. 2,
Chorngder 2 Rd., Taichung (TW)

(**) Term: **14 Years**

(21) Appl. No.: **29/240,767**

(22) Filed: **Oct. 19, 2005**

(51) **LOC (8) Cl.** **16-01**

(52) **U.S. Cl.** **D16/203**

(58) **Field of Classification Search** D16/200–205,
D16/208, 218; 348/143, 151, 164, 373, 374–376;
396/427, 535, 536–541

See application file for complete search history.

(56) **References Cited**

U.S. PATENT DOCUMENTS

D405,456 S	*	2/1999	Lefkowitz	D16/203
6,268,882 B1	*	7/2001	Elberbaum	348/151
6,357,936 B1	*	3/2002	Elberbaum	396/427
D473,888 S	*	4/2003	Jones et al.	D16/203
D497,927 S	*	11/2004	Arbuckle et al.	D16/203
D499,126 S	*	11/2004	Kato et al.	D16/203

D502,196 S * 2/2005 Miyazaki D16/202

* cited by examiner

Primary Examiner—Adir Aronovich

(74) *Attorney, Agent, or Firm*—Birch, Stewart, Kolasch &
Birch, LLP

(57) **CLAIM**

The ornamental design for an infrared monitoring video camera, as shown and described.

DESCRIPTION

FIG. 1 is a perspective view of an infrared monitoring video camera of the design;

FIG. 2 is a front view thereof;

FIG. 3 is a rear view thereof;

FIG. 4 is a left side view thereof;

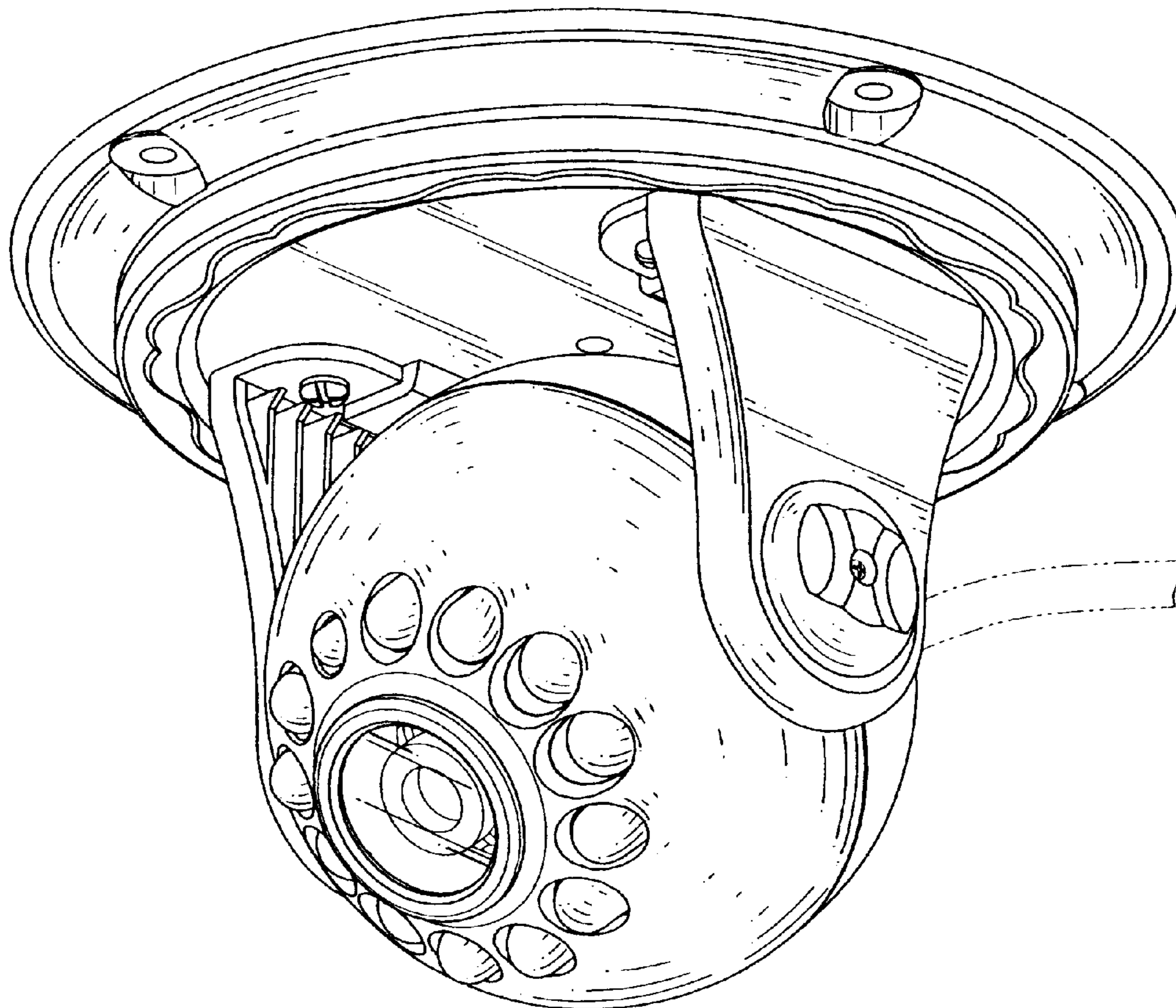
FIG. 5 is a right side view thereof;

FIG. 6 is a top view thereof;

FIG. 7 is a bottom view thereof; and,

FIG. 8 is a perspective view showing an operational embodiment of the claimed design with a ball-type casing rotating downward at an angle, wherein the broken lines are shown for illustrative purposes only and form no part of the claimed design.

1 Claim, 8 Drawing Sheets



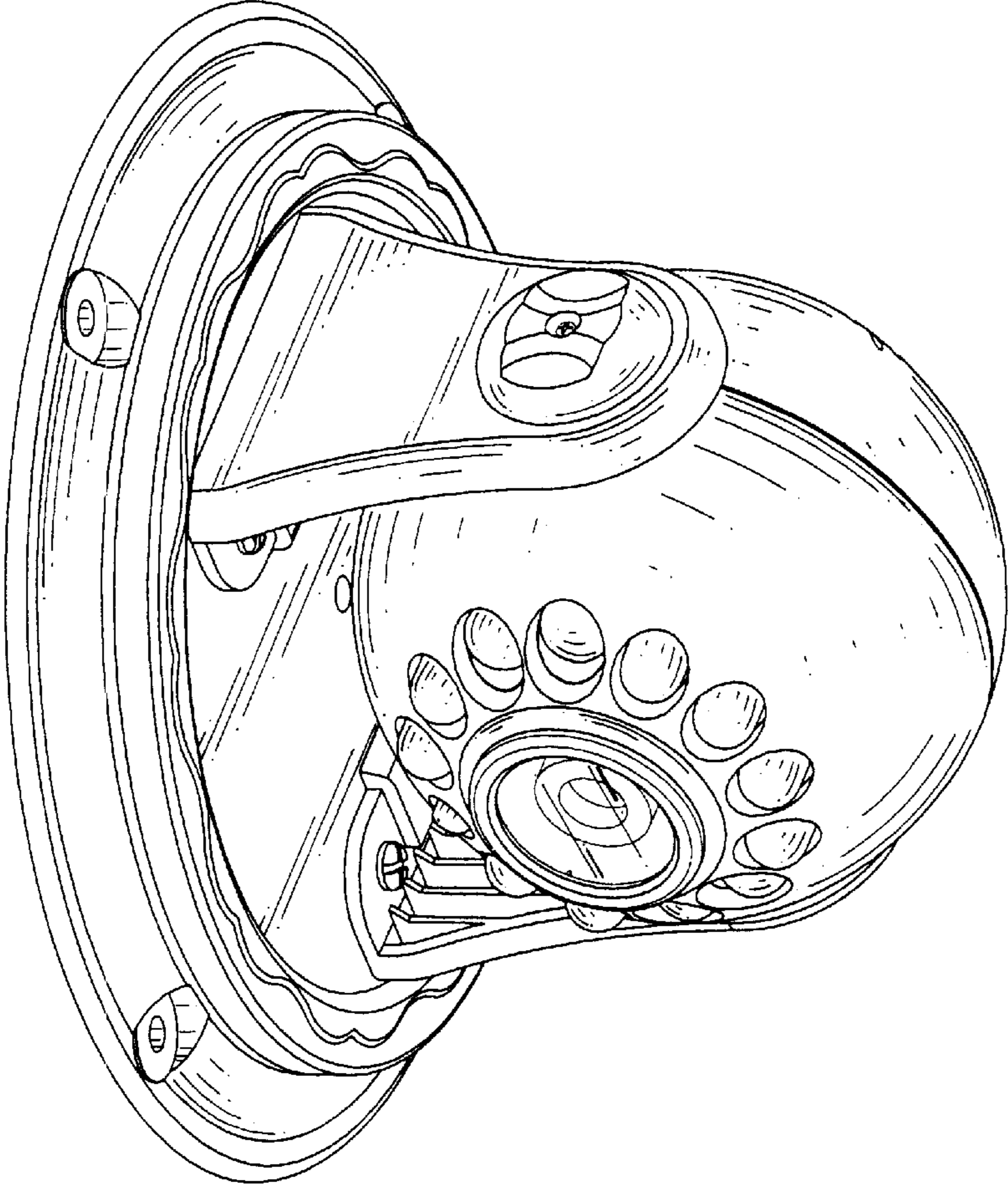


FIG. 1

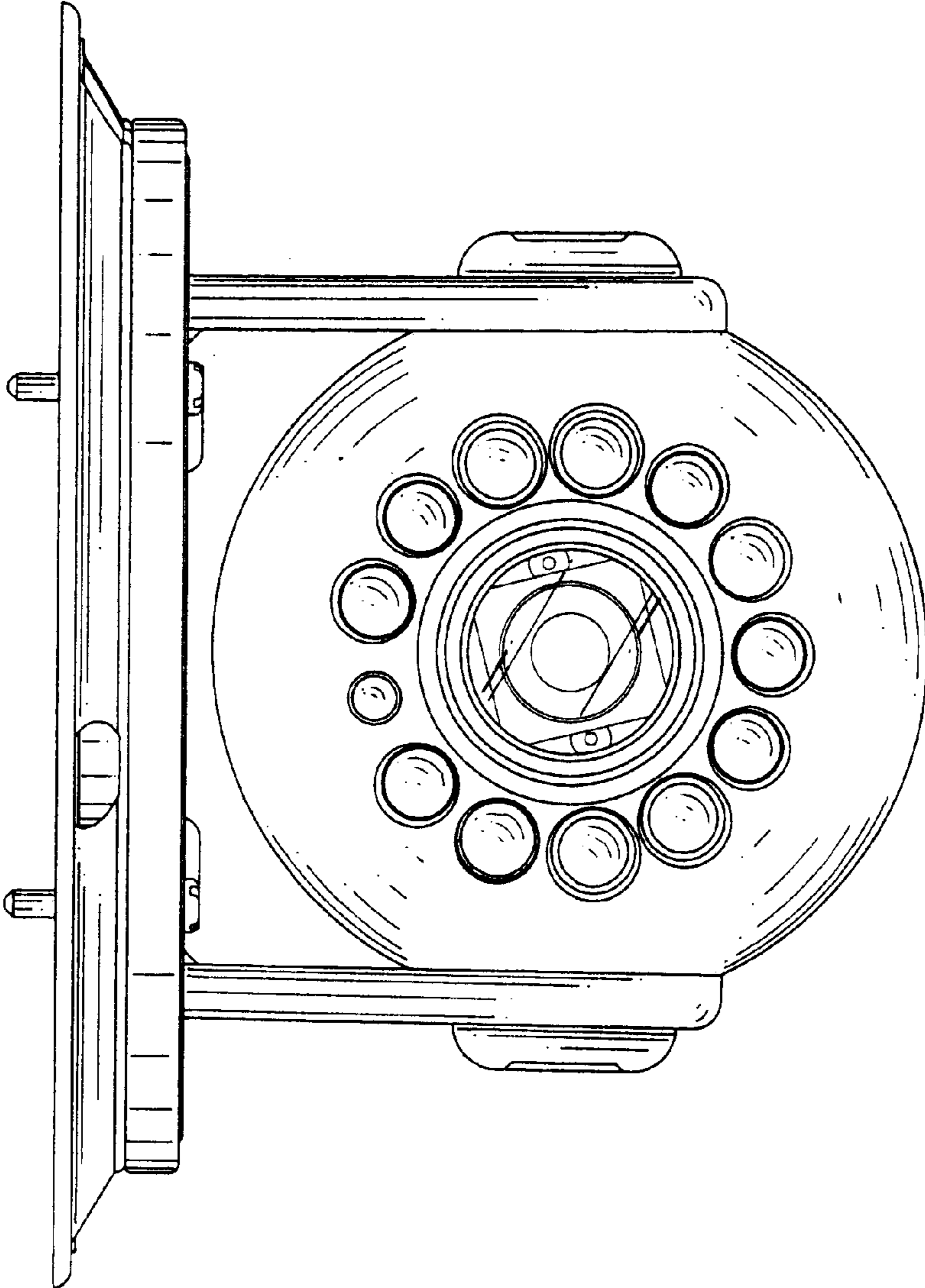


FIG. 2

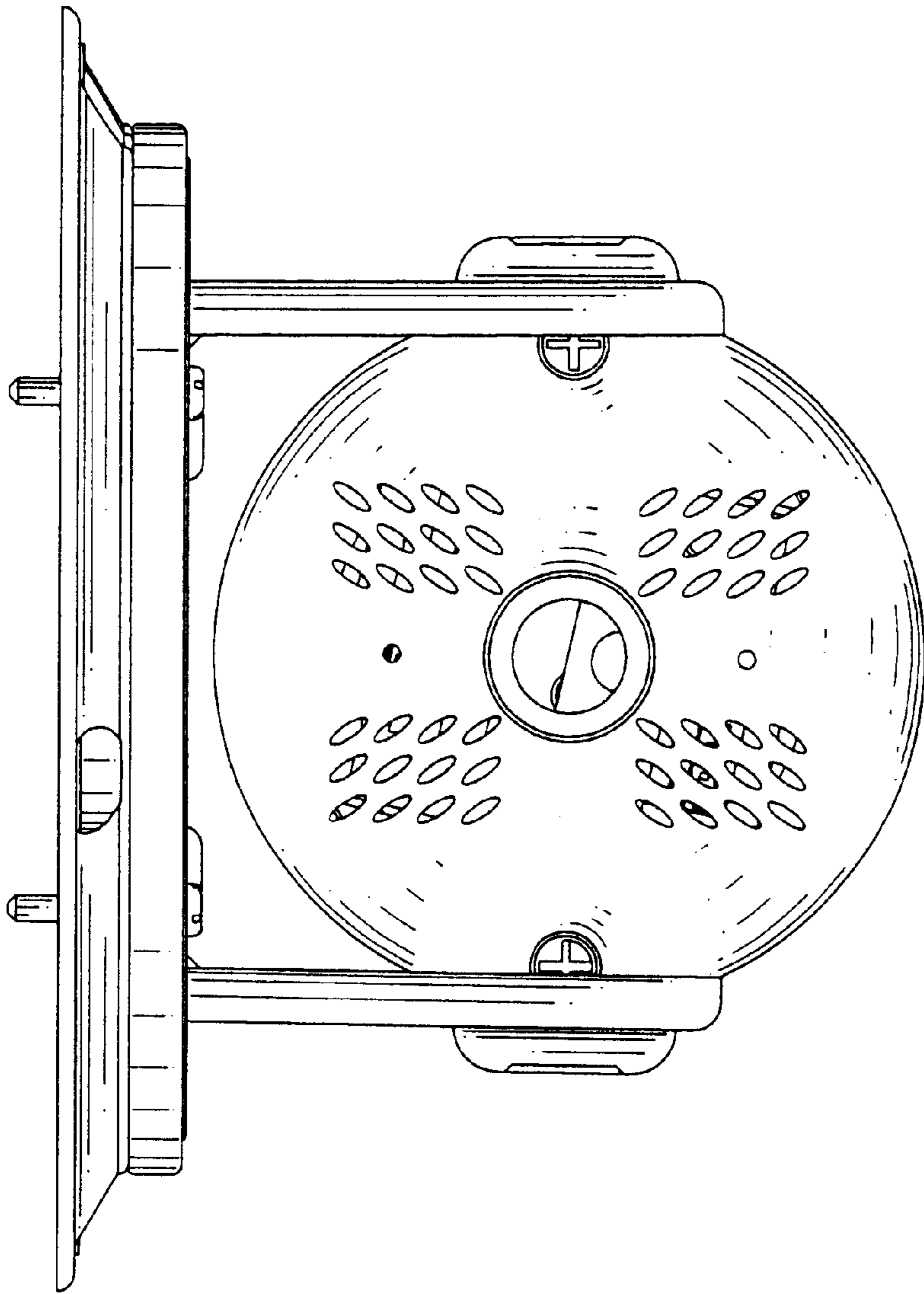


FIG. 3

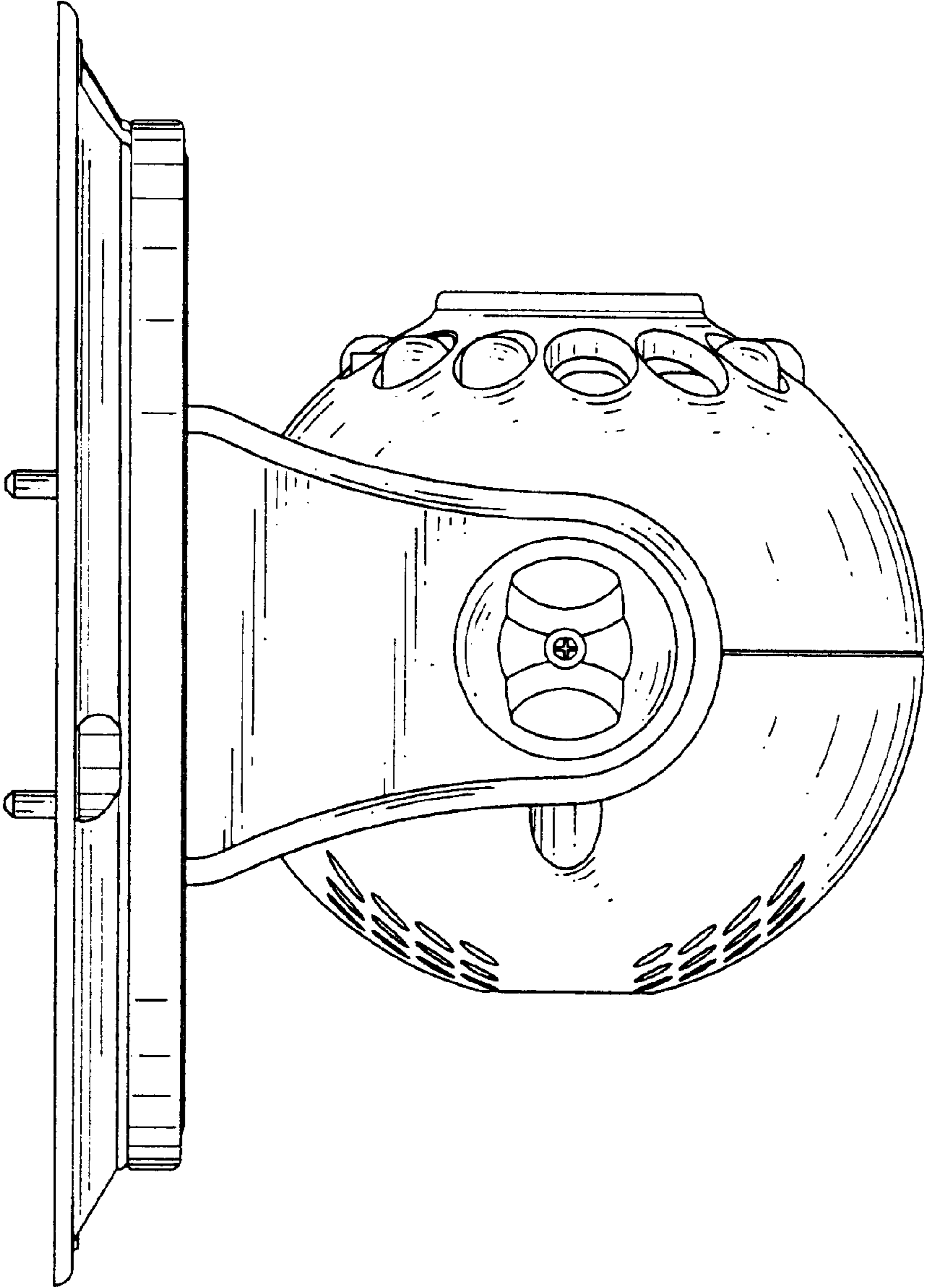


FIG. 4

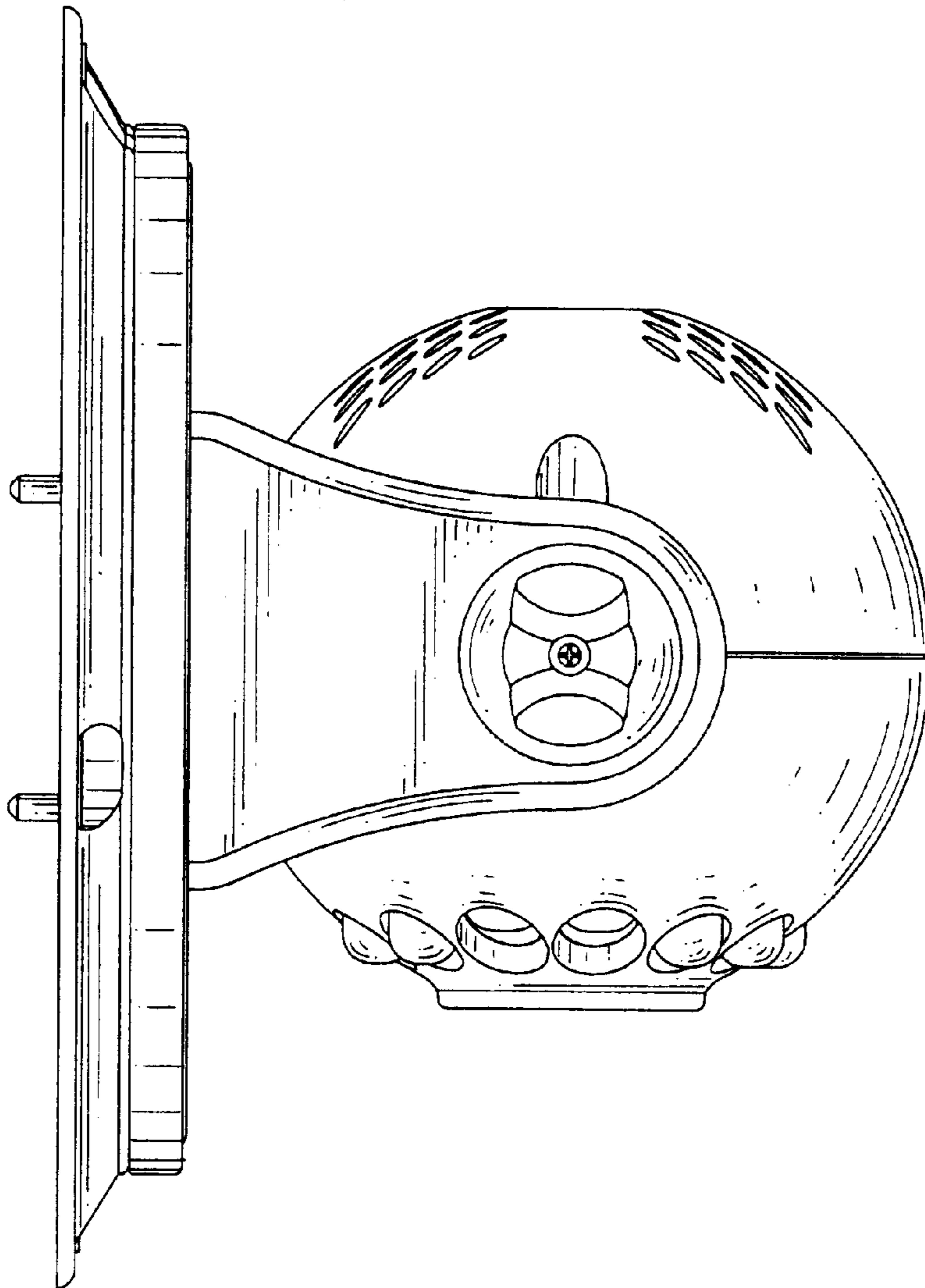


FIG. 5

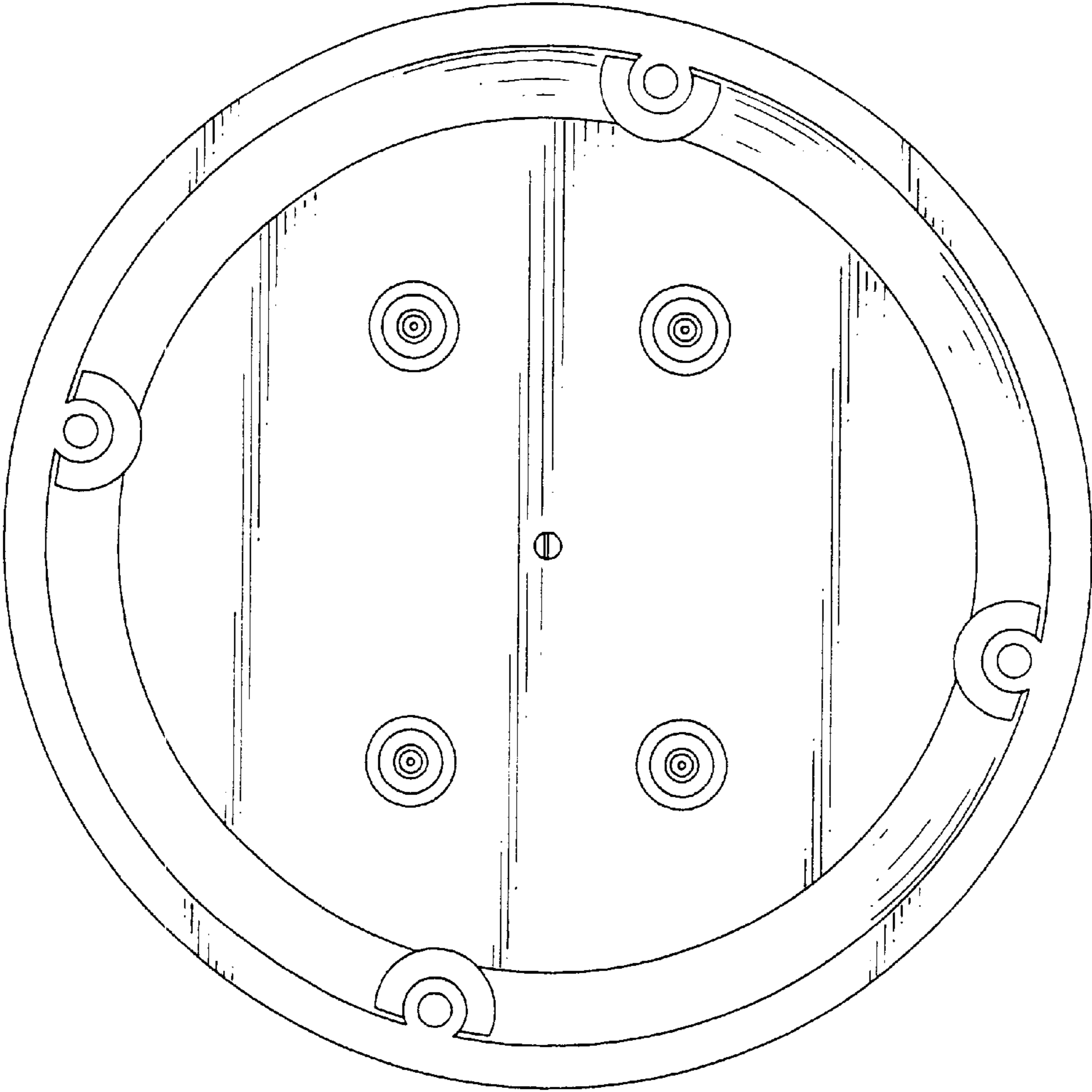


FIG. 6

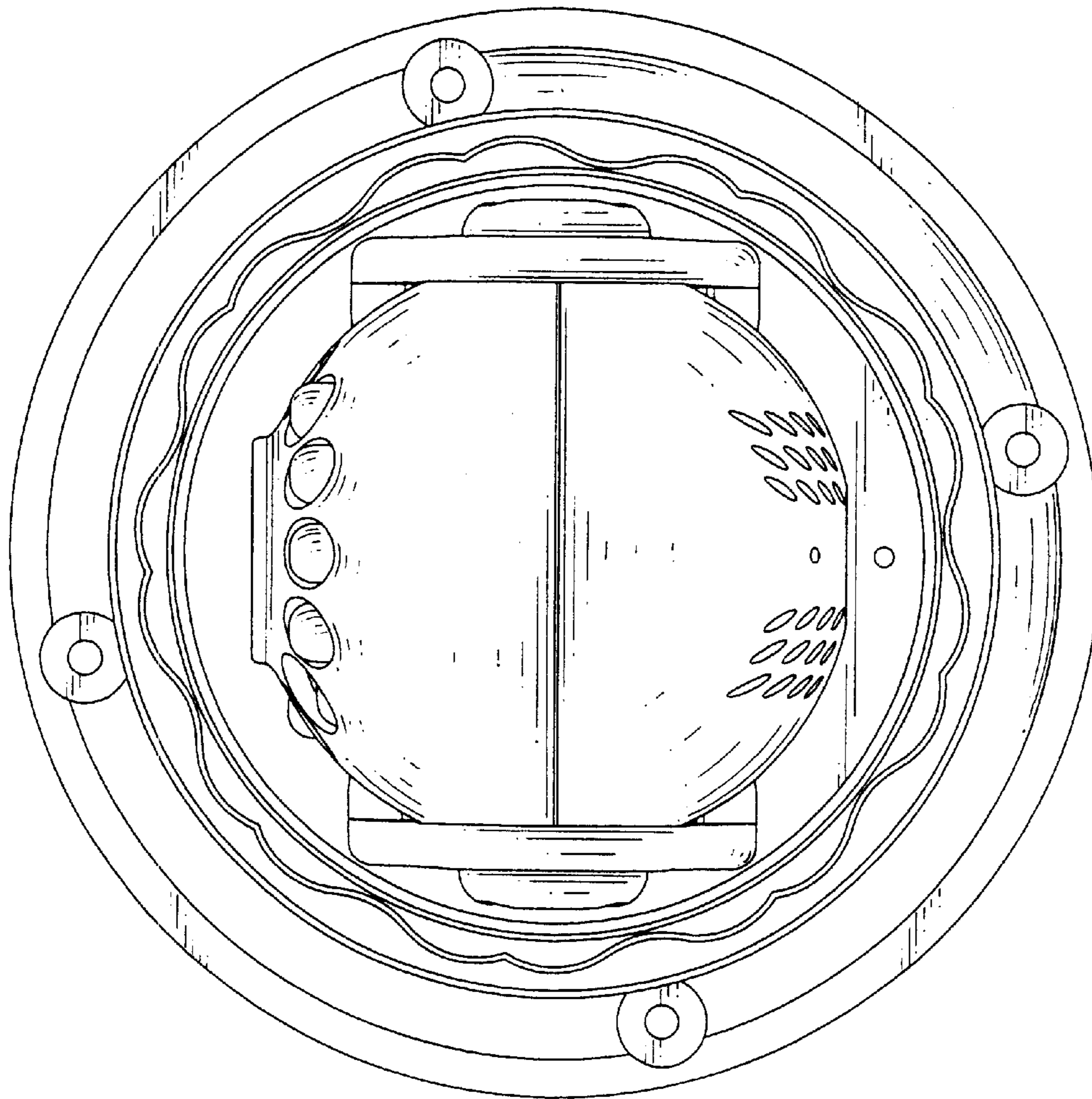


FIG. 7

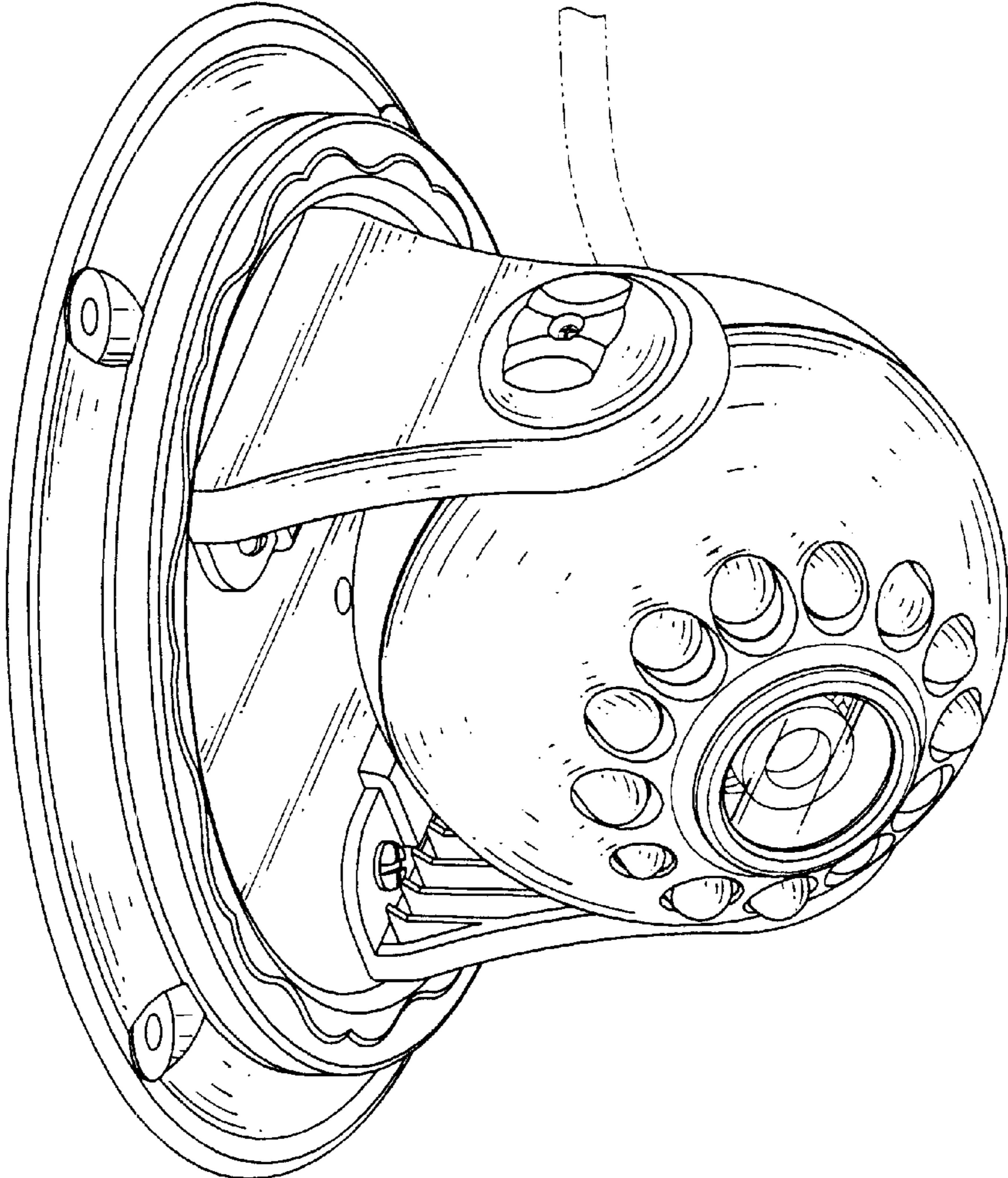


FIG. 8