

US00D542318S

(12) **United States Design Patent**  
**Nagayama**

(10) **Patent No.:** **US D542,318 S**

(45) **Date of Patent:** **\*\* May 8, 2007**

(54) **DIGITAL CAMERA**

(75) Inventor: **Yosuke Nagayama**, Tokyo (JP)

(73) Assignee: **Casio Keisanki Kabushiki Kaisha**,  
Tokyo (JP)

(\*\*) Term: **14 Years**

(21) Appl. No.: **29/241,212**

(22) Filed: **Oct. 25, 2005**

(51) **LOC (8) Cl.** ..... **16-01**

(52) **U.S. Cl.** ..... **D16/202**

(58) **Field of Classification Search** ..... D16/200–205,  
D16/208, 218; 348/373–376; 358/909.1;  
396/535–541

See application file for complete search history.

(56) **References Cited**

**U.S. PATENT DOCUMENTS**

6,434,337	B1	*	8/2002	Misawa	.....	358/909.1
D479,547	S	*	9/2003	Nagayama	.....	D16/202
D490,833	S	*	6/2004	Sakaguchi et al.	.....	D16/202
D495,350	S	*	8/2004	Yoo	.....	D16/202
D495,352	S	*	8/2004	Sakaguchi et al.	.....	D16/202

D516,599	S	*	3/2006	Nakamura	.....	D16/202
D524,341	S	*	7/2006	Nagayama et al.	.....	D16/202
D525,274	S	*	7/2006	Nagayama et al.	.....	D16/202

\* cited by examiner

*Primary Examiner*—Adir Aronovich

(74) *Attorney, Agent, or Firm*—Frishauf, Holtz, Goodman  
& Chick, P.C.

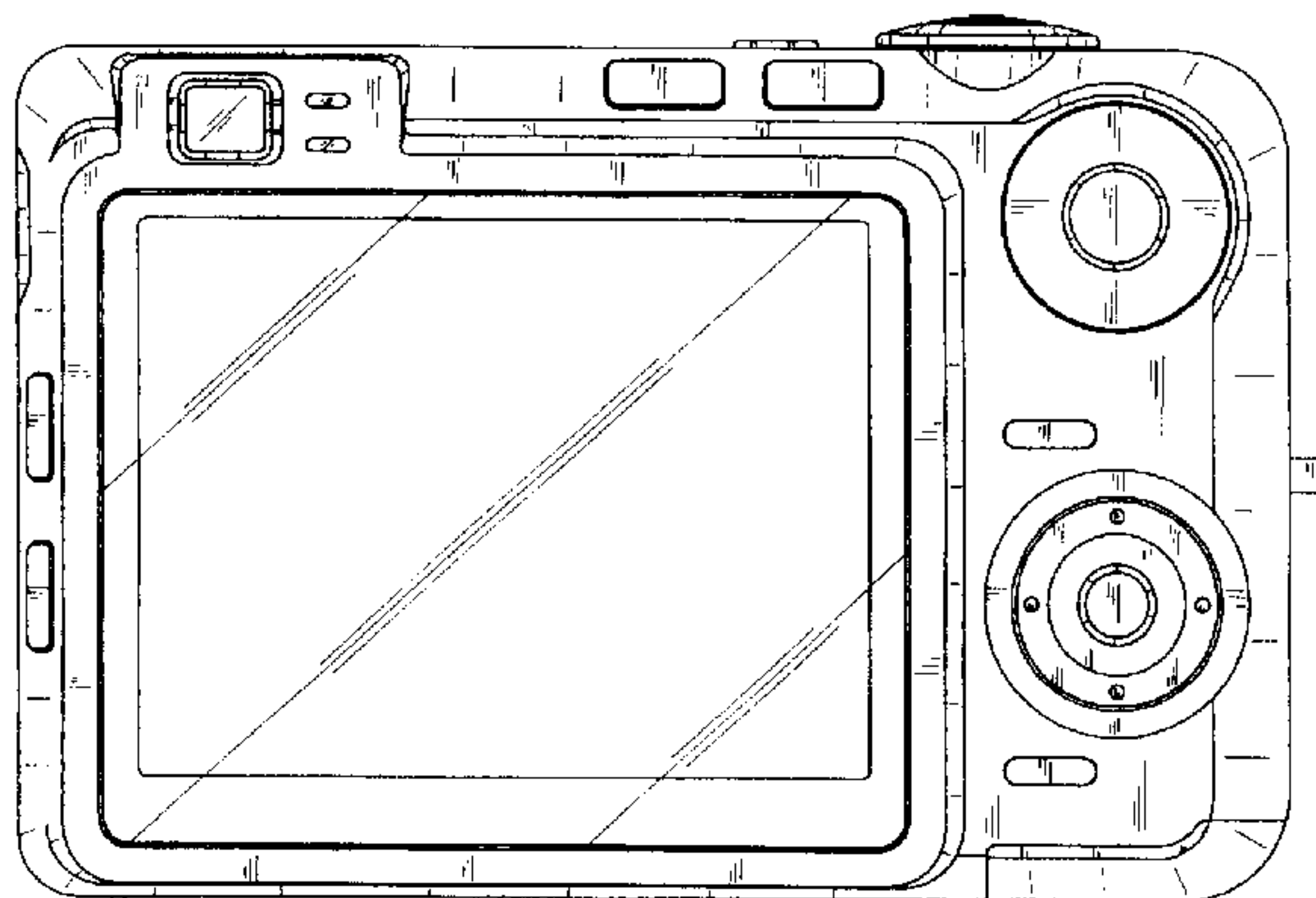
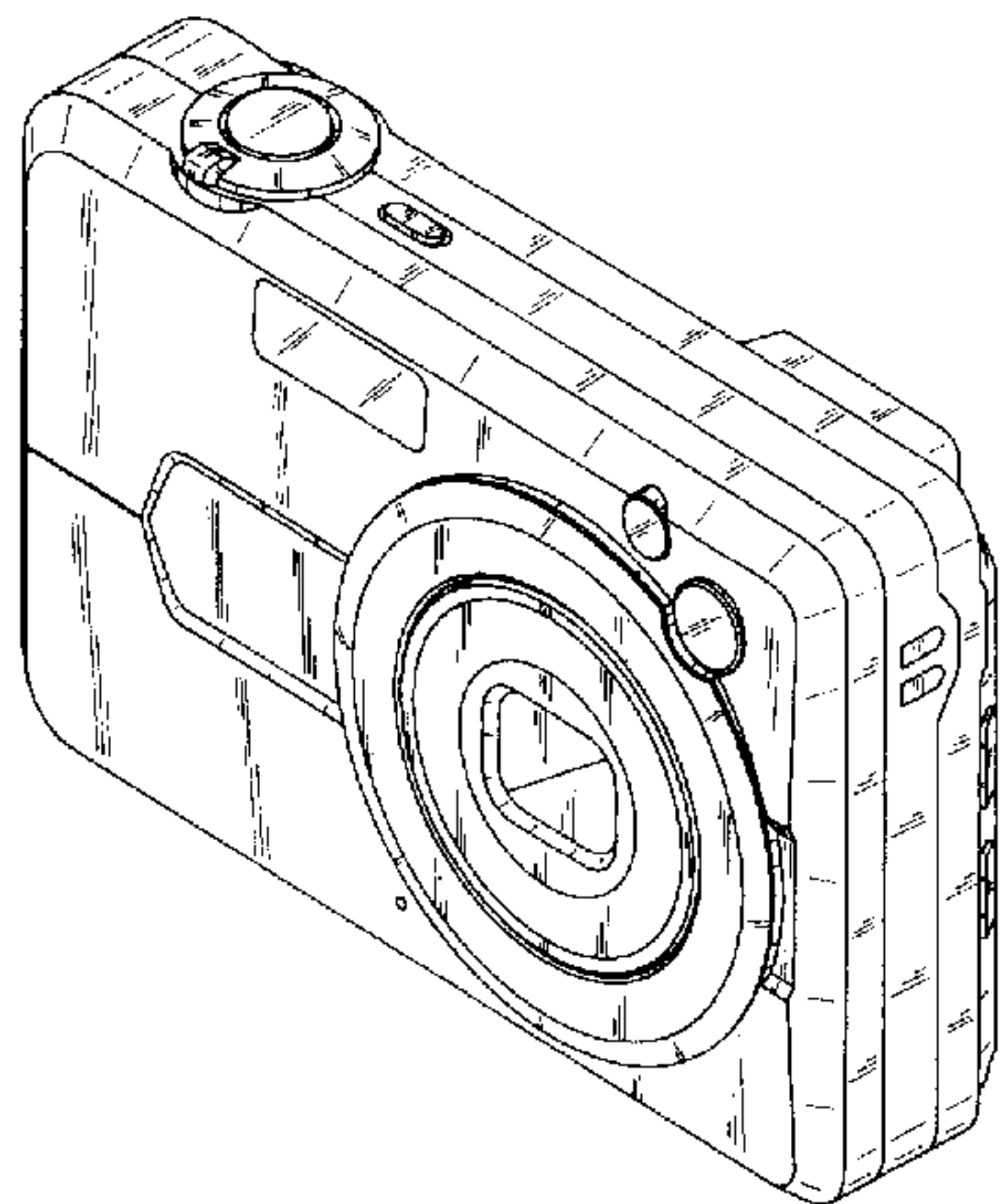
(57) **CLAIM**

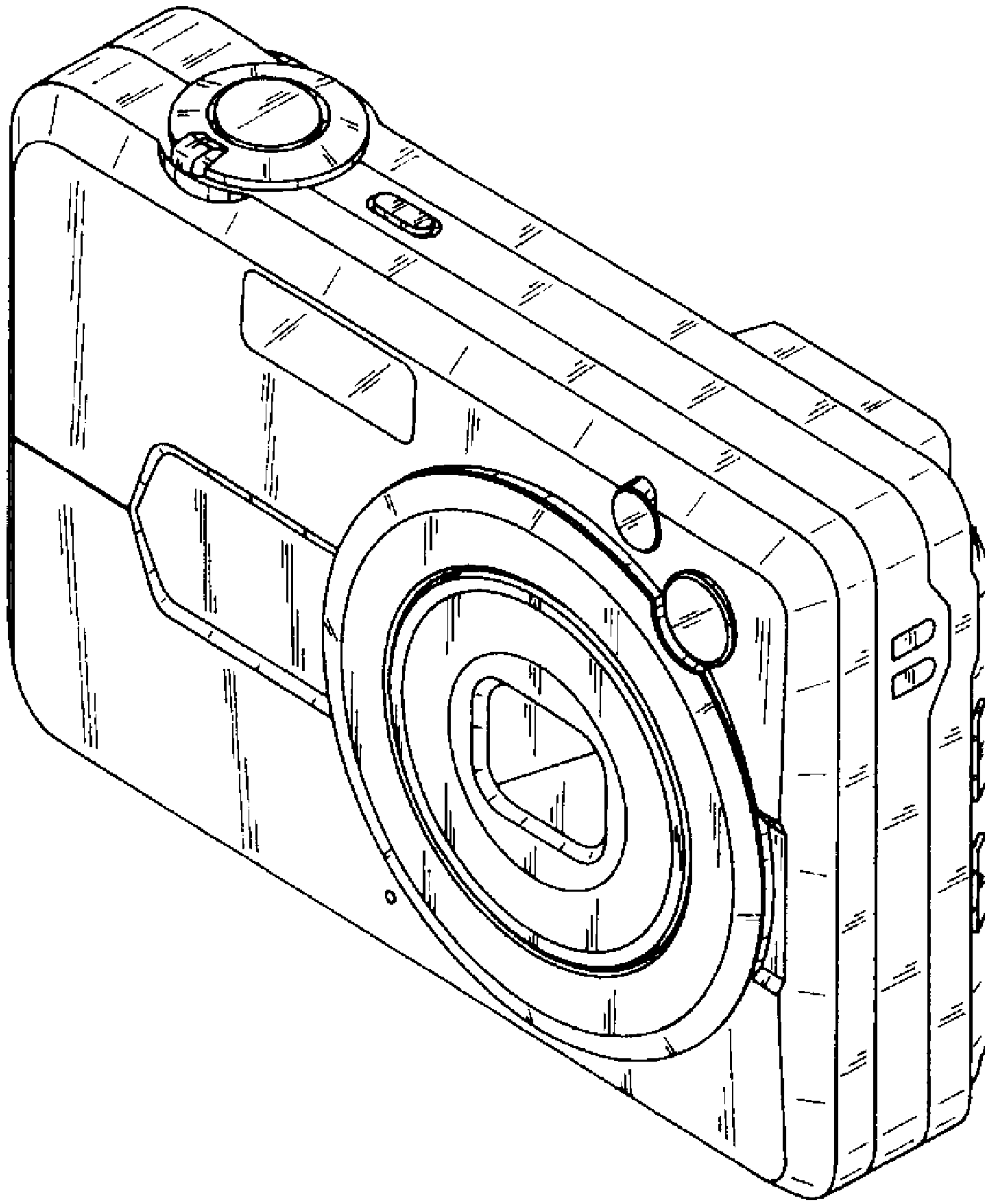
The ornamental design for a digital camera, as shown and described.

**DESCRIPTION**

FIG. 1 is a reduced scale front, right side, top perspective view of a digital camera showing my new design; FIG. 2 is a front elevational view thereof; FIG. 3 is a rear elevational view thereof; FIG. 4 is a left side view thereof; FIG. 5 is a right side view thereof; FIG. 6 is a top plan view thereof; FIG. 7 is a bottom plan view thereof; and, FIG. 8 is a reduced scale front, right side, top perspective view thereof showing a zoom lens extended.

**1 Claim, 5 Drawing Sheets**





**FIG. 1**

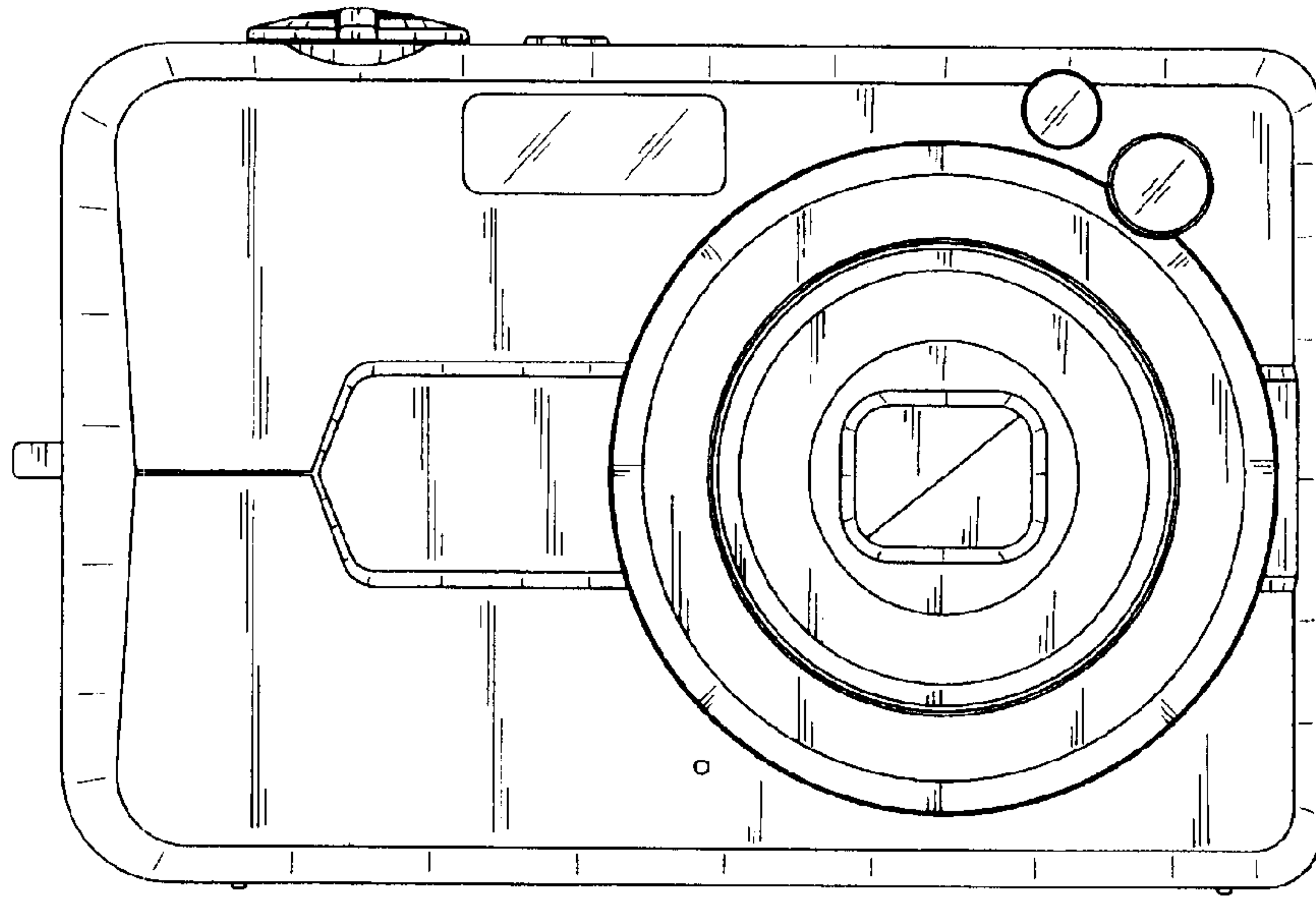


FIG. 2

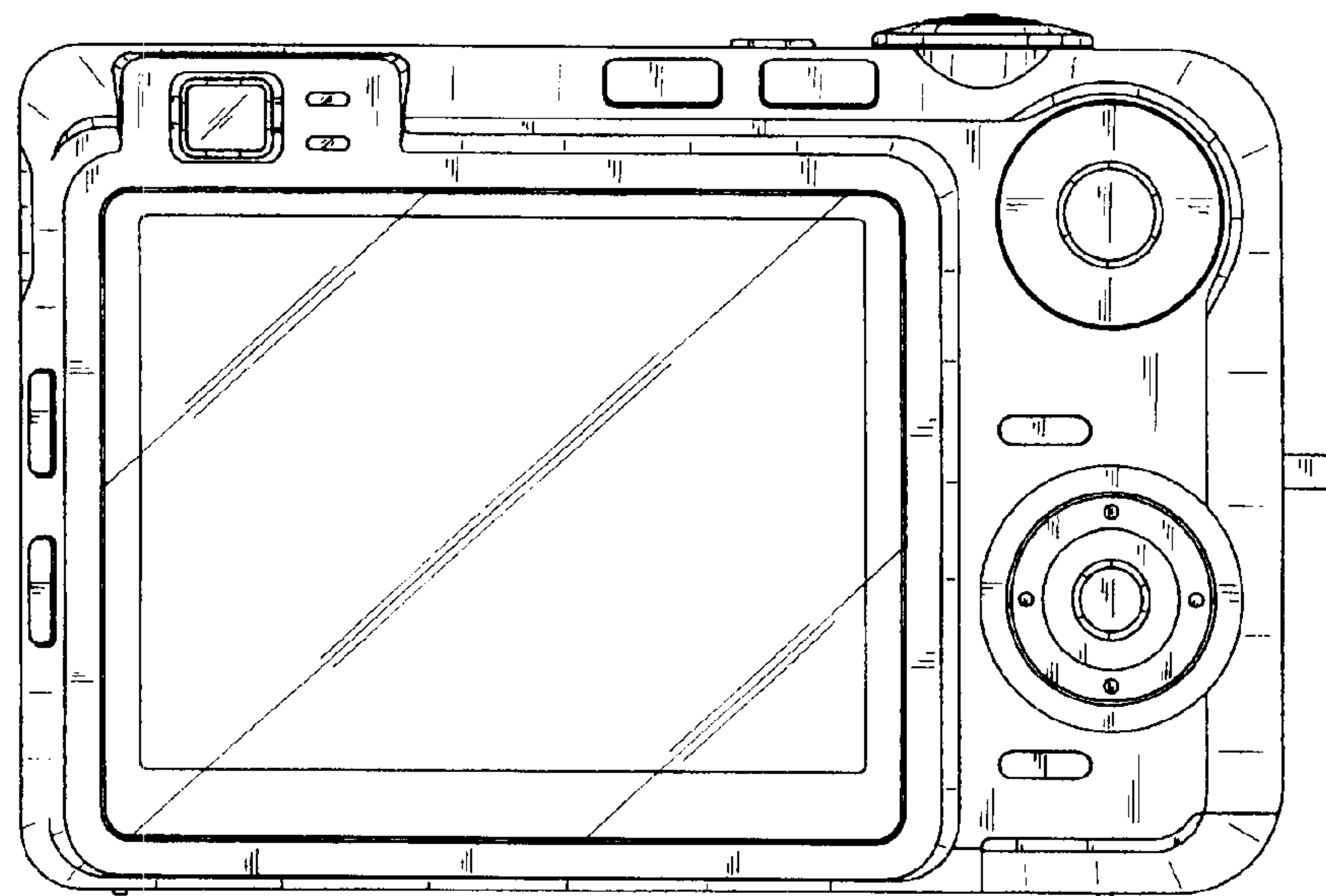


FIG. 3

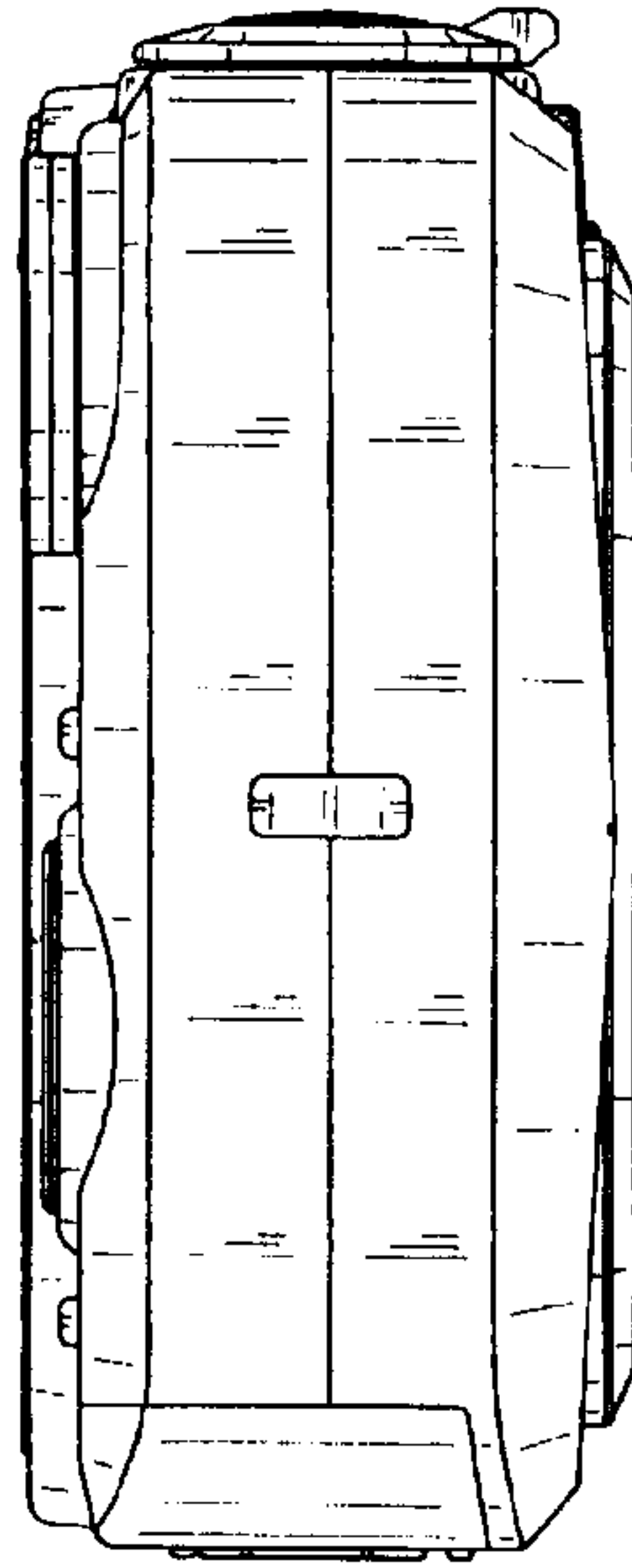


FIG. 4

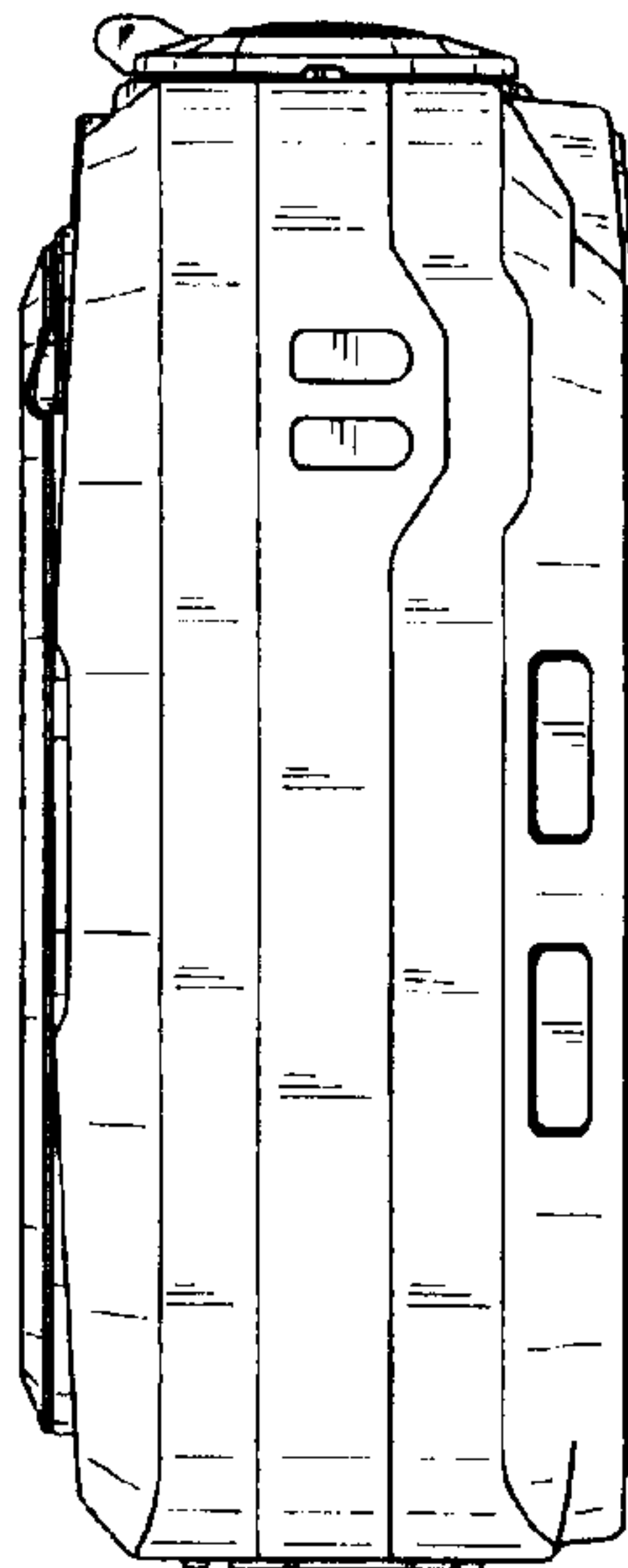


FIG. 5

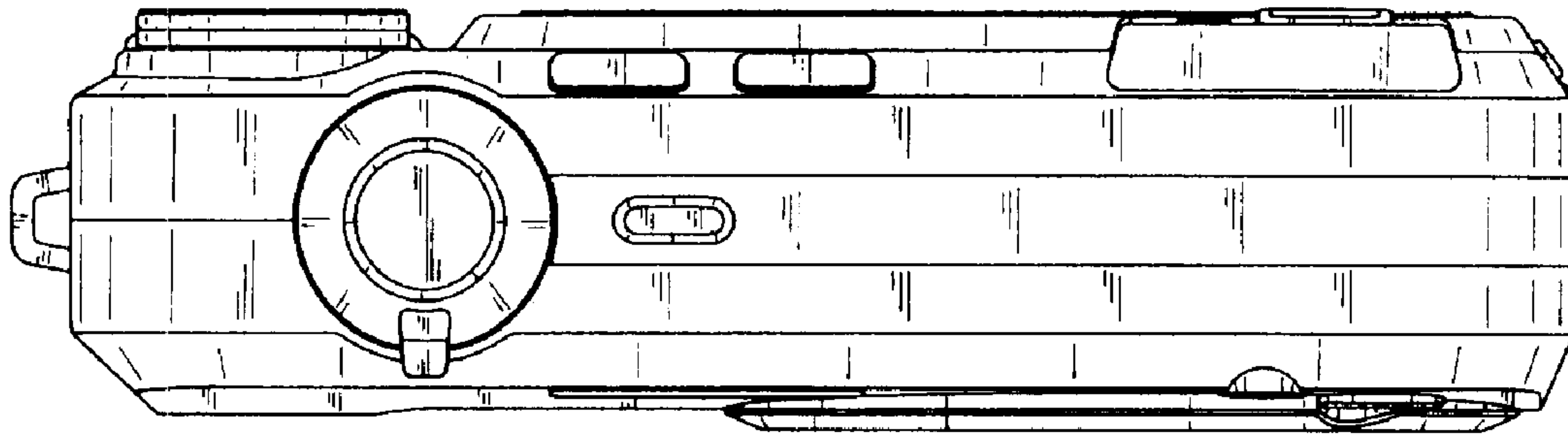


FIG. 6

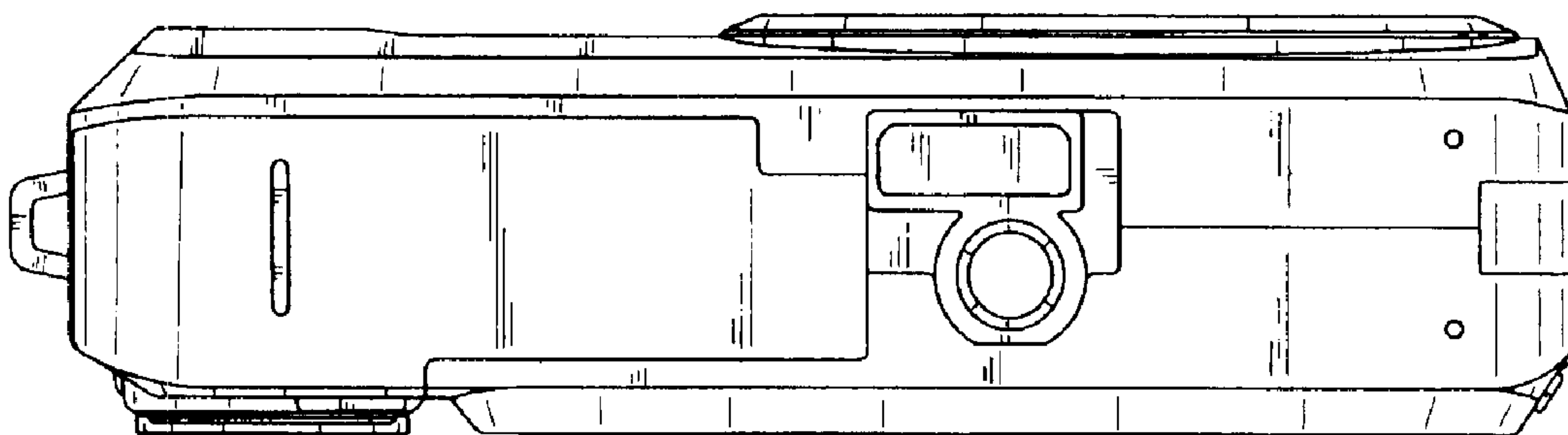
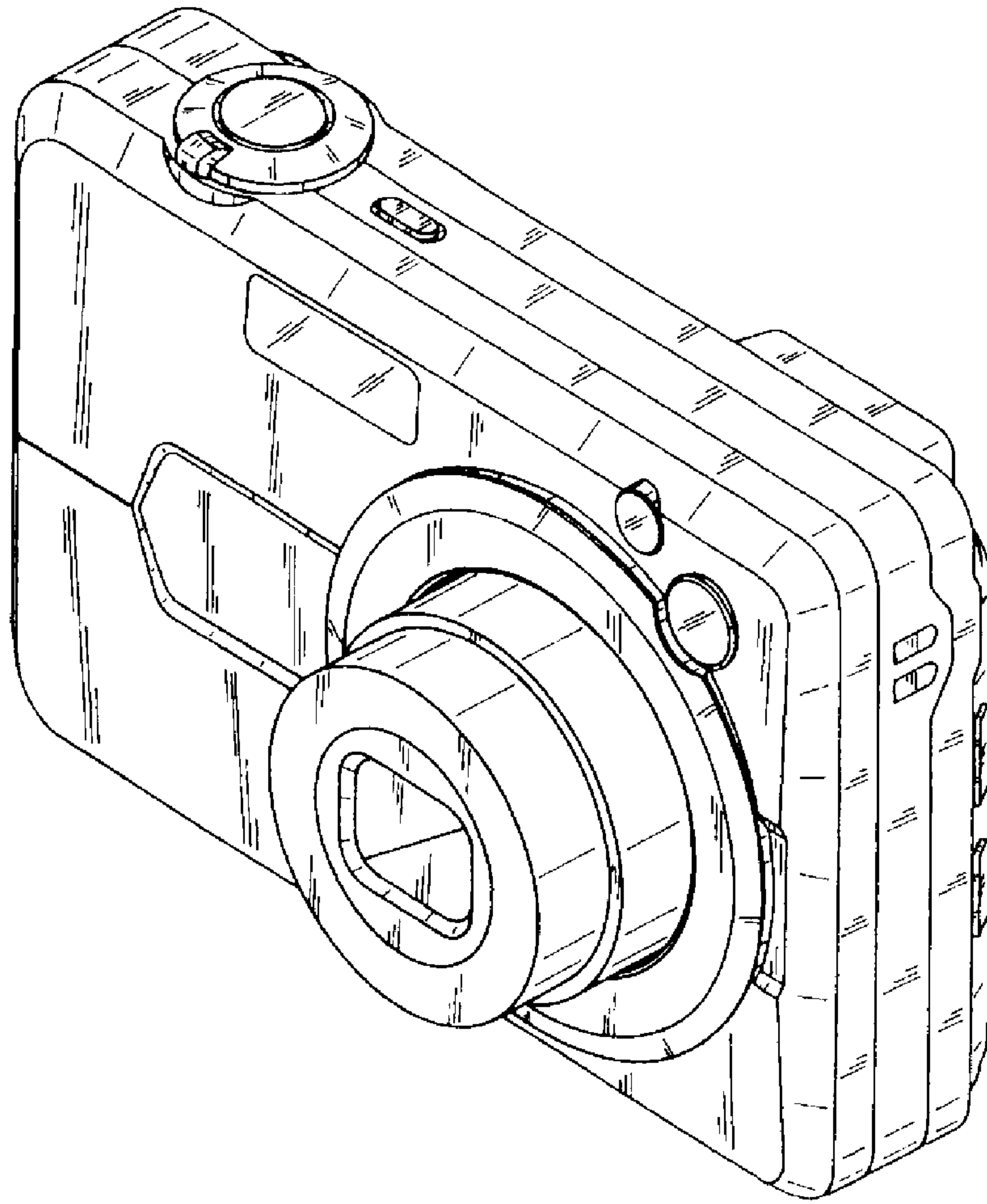


FIG. 7





**FIG. 8**