



US00D542317S

(12) **United States Design Patent**
Miyashita

(10) **Patent No.:** **US D542,317 S**

(45) **Date of Patent:** **** May 8, 2007**

(54) **VIDEO CAMERA**

(75) Inventor: **Shin Miyashita**, Tokyo (JP)

(73) Assignee: **Sony Corporation**, Tokyo (JP)

(**) Term: **14 Years**

(21) Appl. No.: **29/232,923**

(22) Filed: **Jun. 27, 2005**

(30) **Foreign Application Priority Data**

Dec. 27, 2004 (JP) D2004-040021

(51) **LOC (8) Cl.** **16-01**

(52) **U.S. Cl.** **D16/202**

(58) **Field of Classification Search** D16/200–206,
D16/208, 218; 348/373–376; 358/906, 909.1;
396/535–541

See application file for complete search history.

(56) **References Cited**

U.S. PATENT DOCUMENTS

D356,589 S * 3/1995 Sumita D16/202
5,499,052 A * 3/1996 Nakanishi et al. 348/373
D381,995 S 8/1997 Sumita
D417,230 S 11/1999 Sumita

D423,541 S * 4/2000 Ohwada D16/202
D487,763 S * 3/2004 Miyashita D16/202
D499,438 S * 12/2004 Shimizu D16/202
D500,776 S * 1/2005 Miyashita D16/202
D502,478 S * 3/2005 Inuma et al. D16/202
D516,600 S * 3/2006 Tsuchiya D16/202
D524,342 S * 7/2006 Suzuki D16/202

* cited by examiner

Primary Examiner—Adir Aronovich

(74) *Attorney, Agent, or Firm*—Rader, Fishman & Grauer
PLLC

(57) **CLAIM**

The ornamental design for a video camera, as shown.

DESCRIPTION

FIG. 1 is a perspective view of a video camera showing my
new design;

FIG. 2 is a front elevational view thereof;

FIG. 3 is a rear elevational view thereof;

FIG. 4 is a left side elevational view thereof;

FIG. 5 is a right side elevational view thereof;

FIG. 6 is a top plan view thereof; and,

FIG. 7 is a bottom plan view thereof.

1 Claim, 7 Drawing Sheets

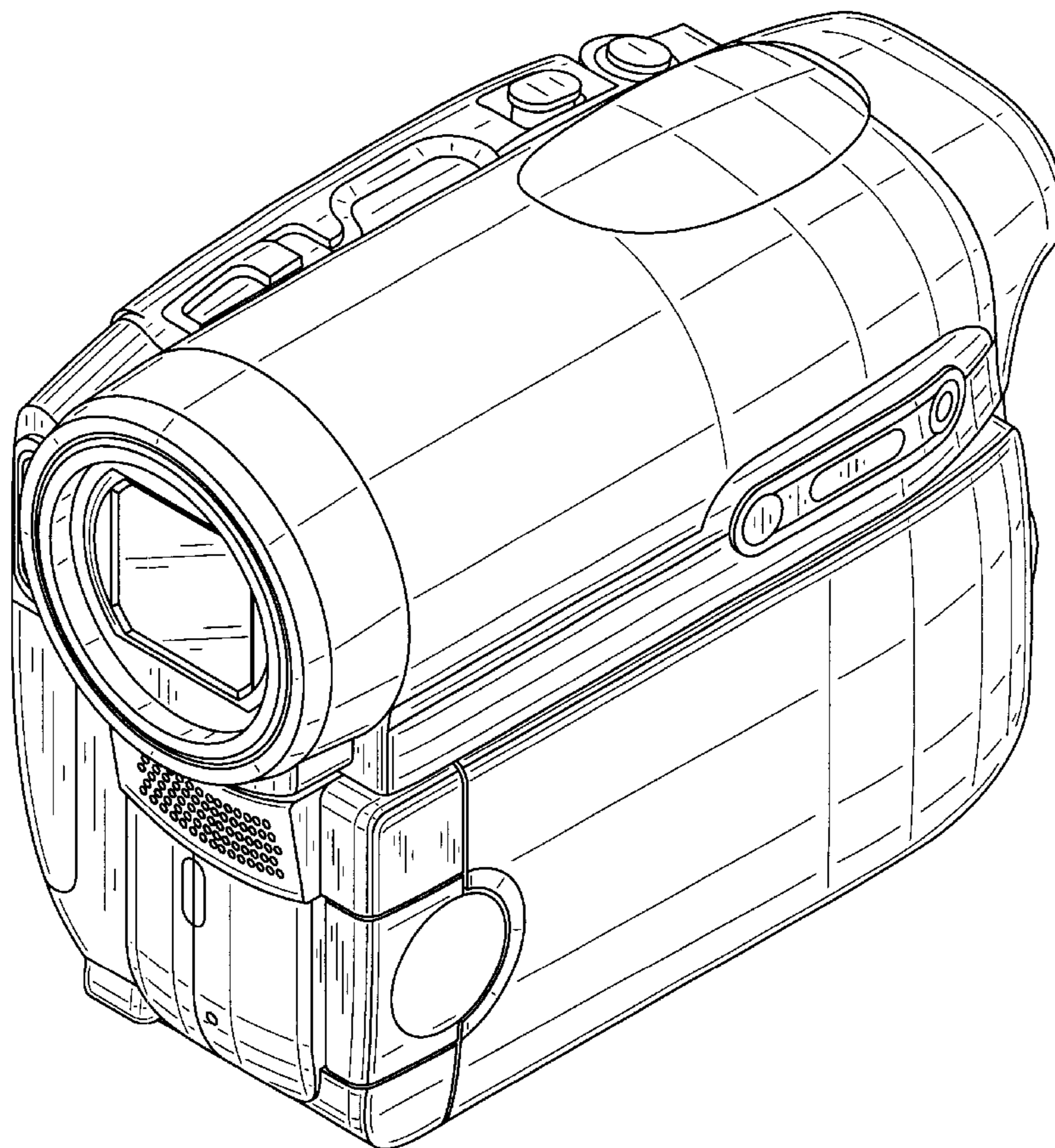


Fig. 1

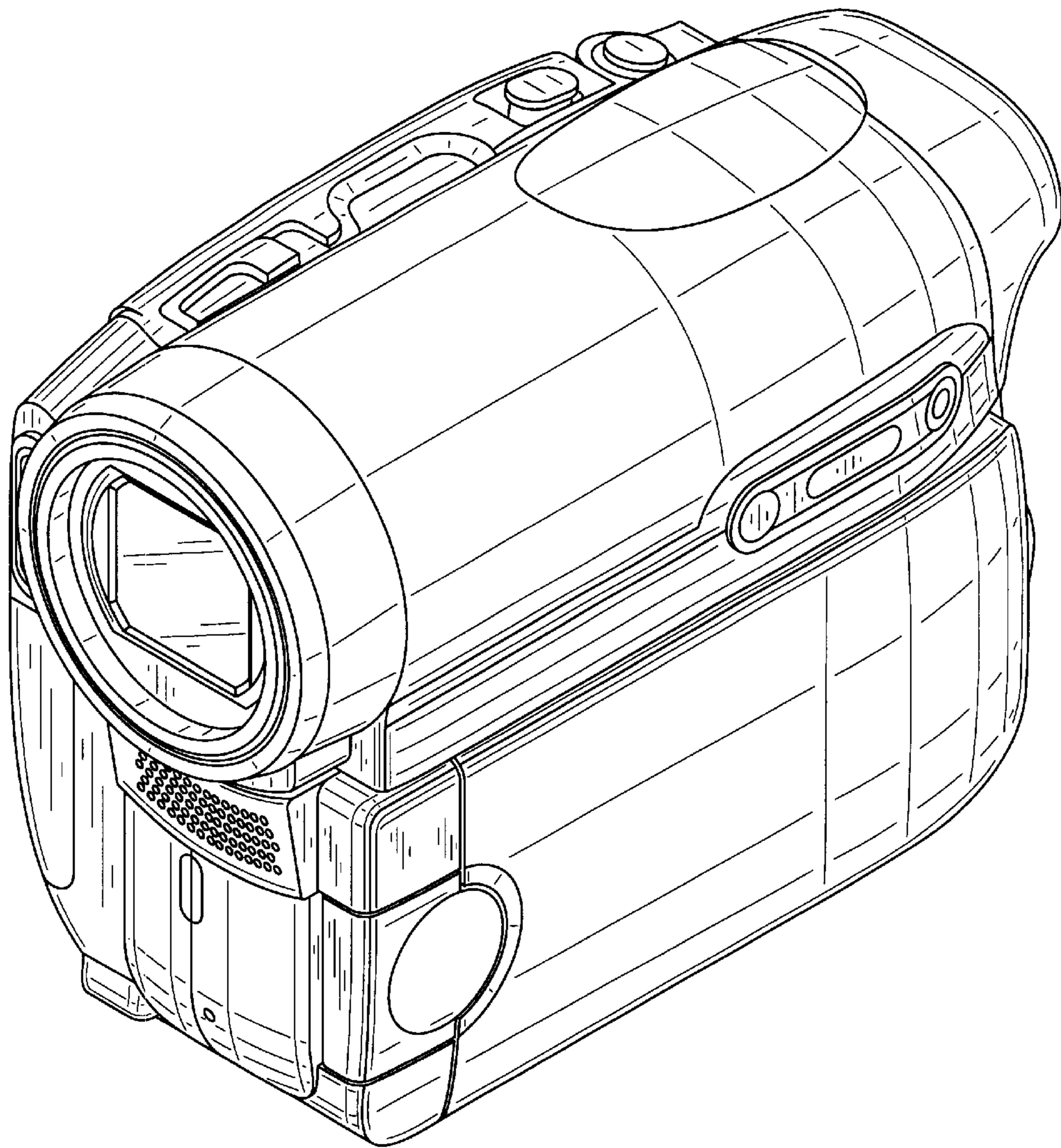


Fig.2

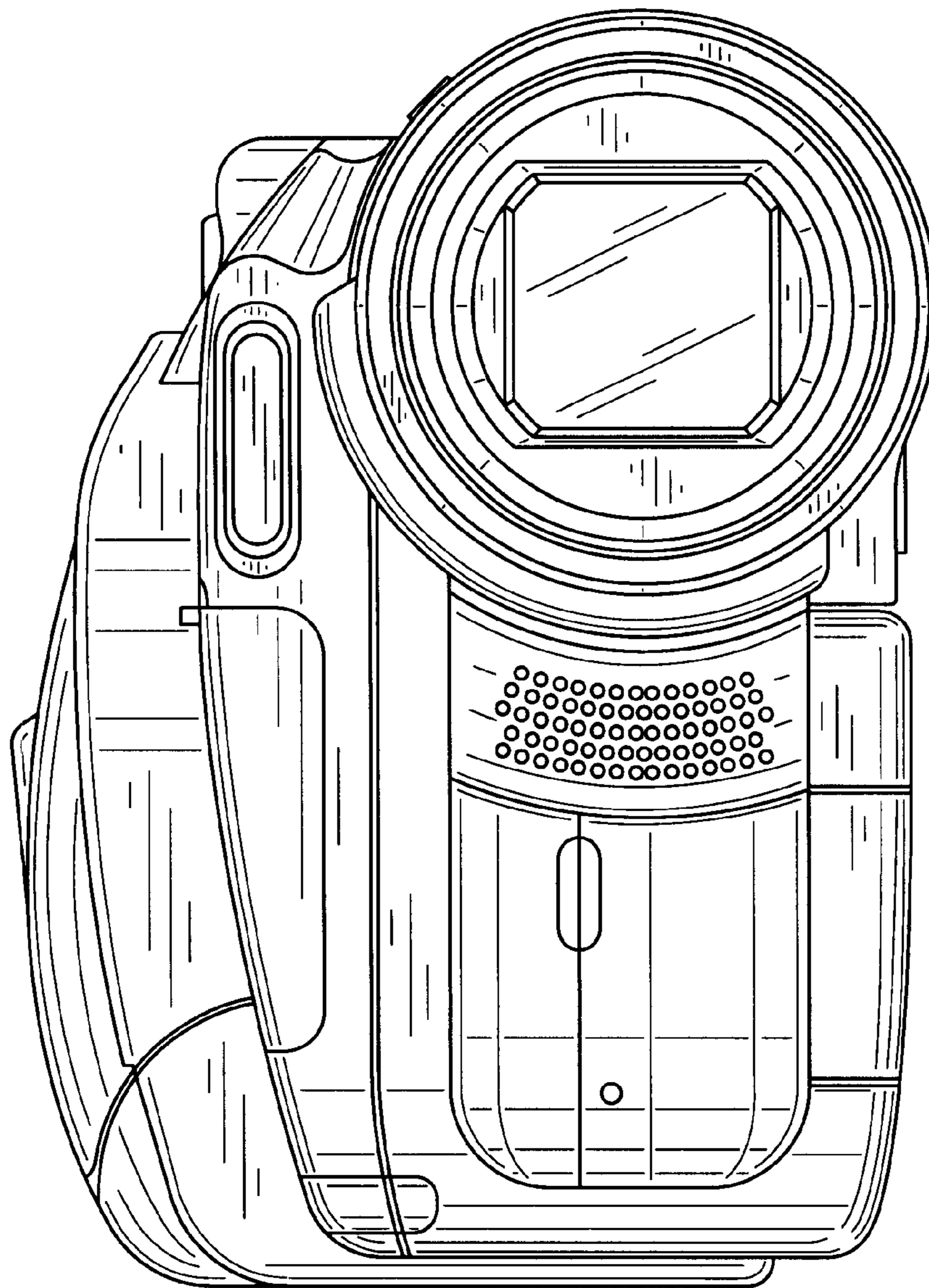


Fig.3

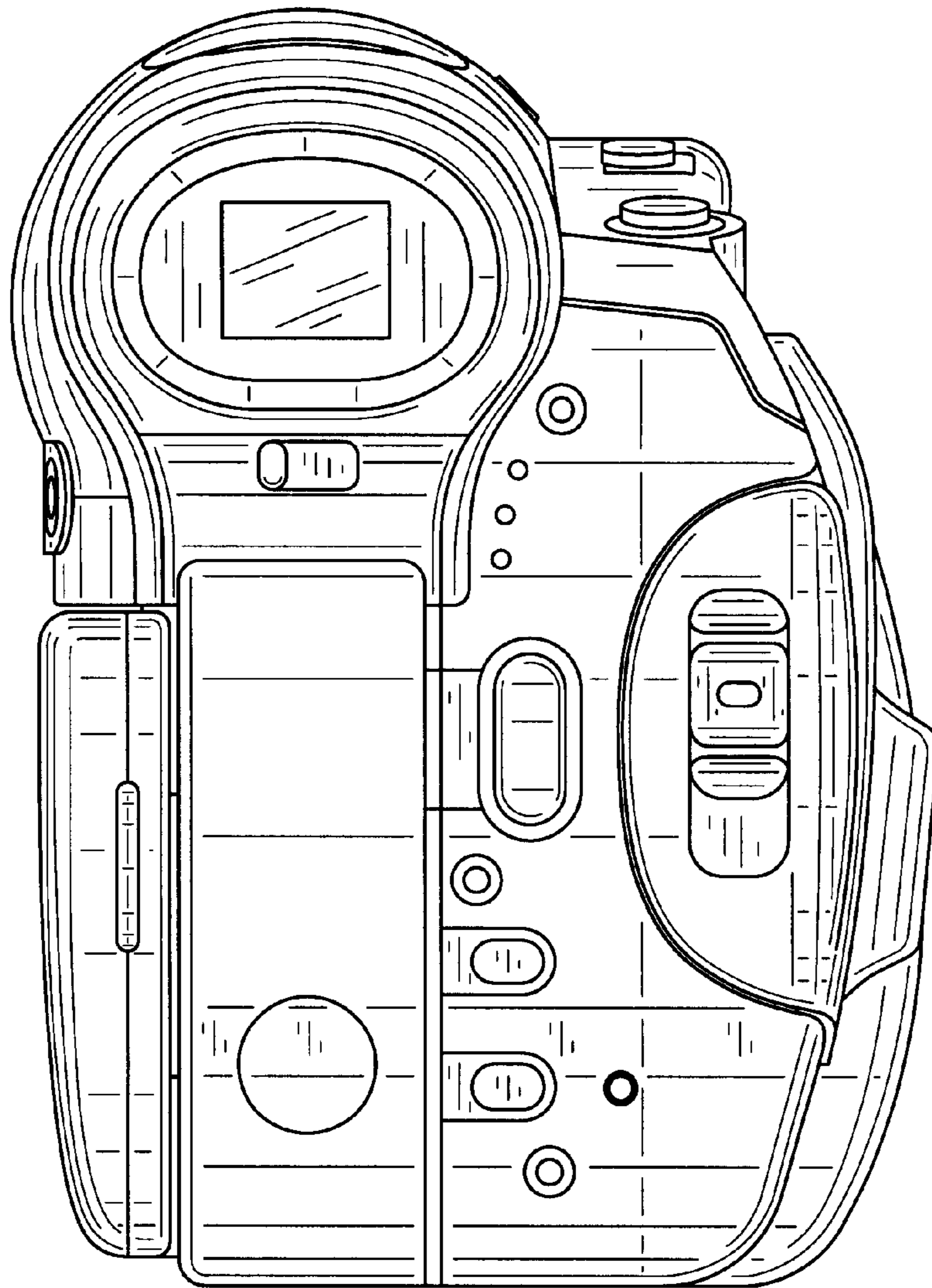


Fig.4

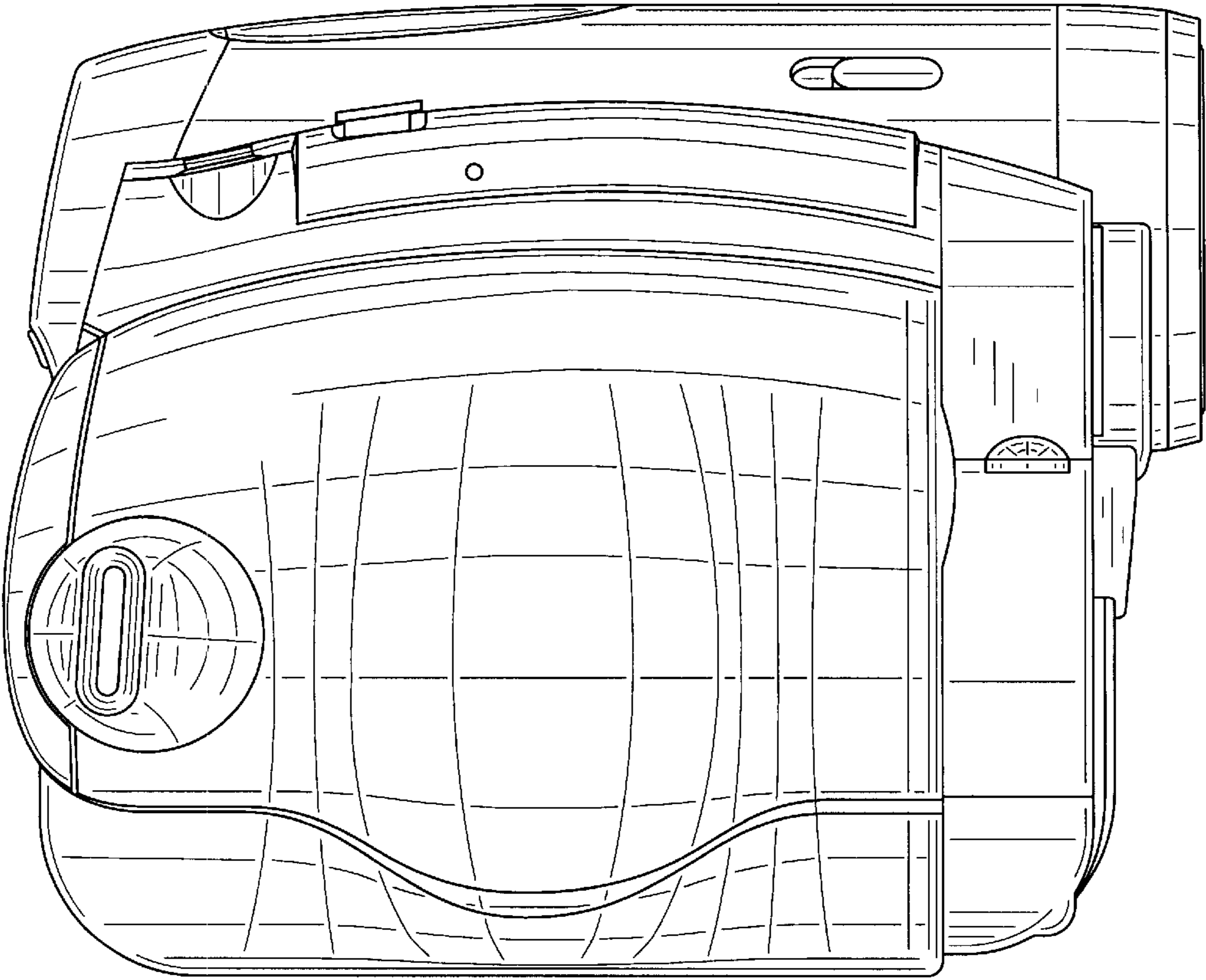


Fig.5

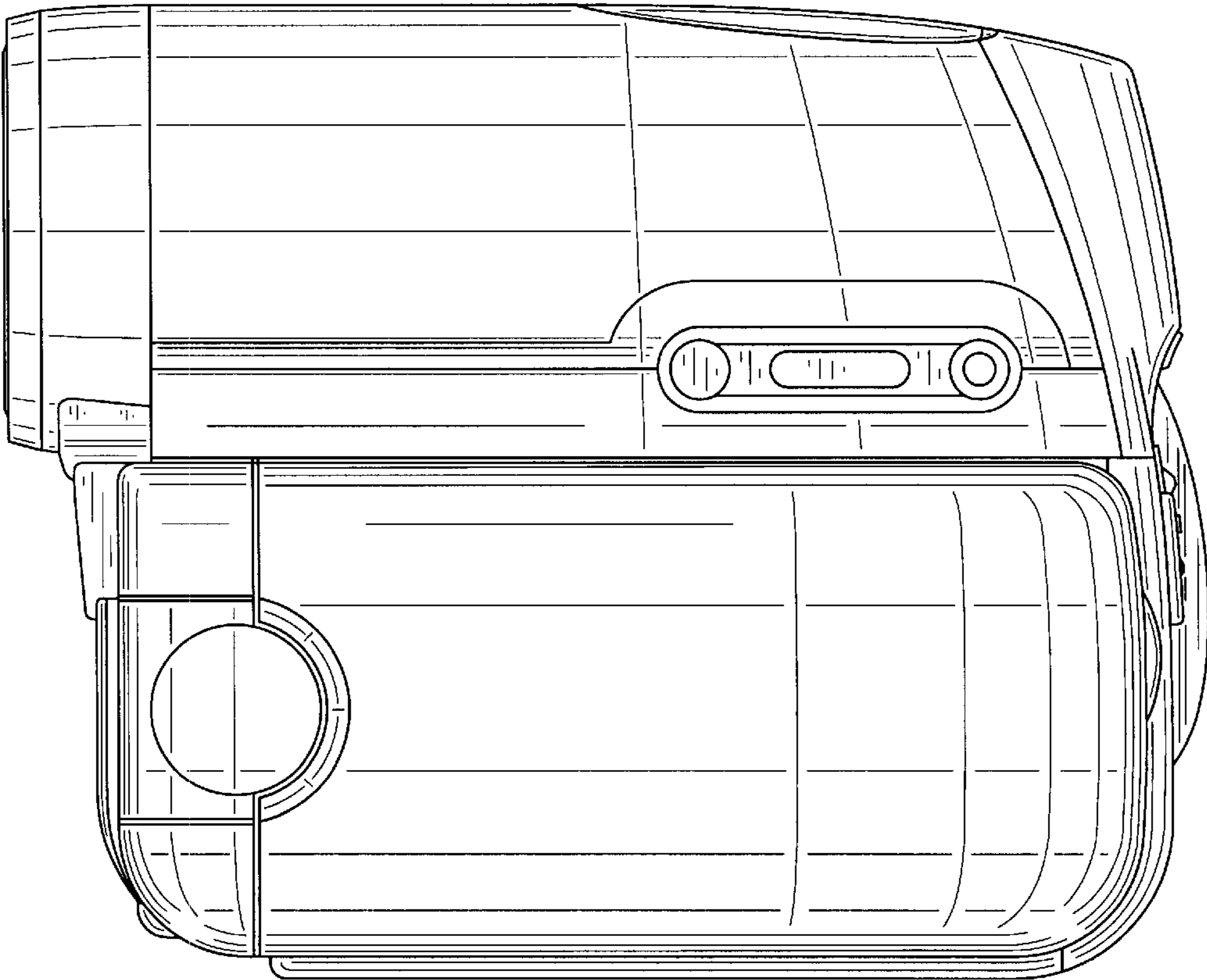


Fig.6

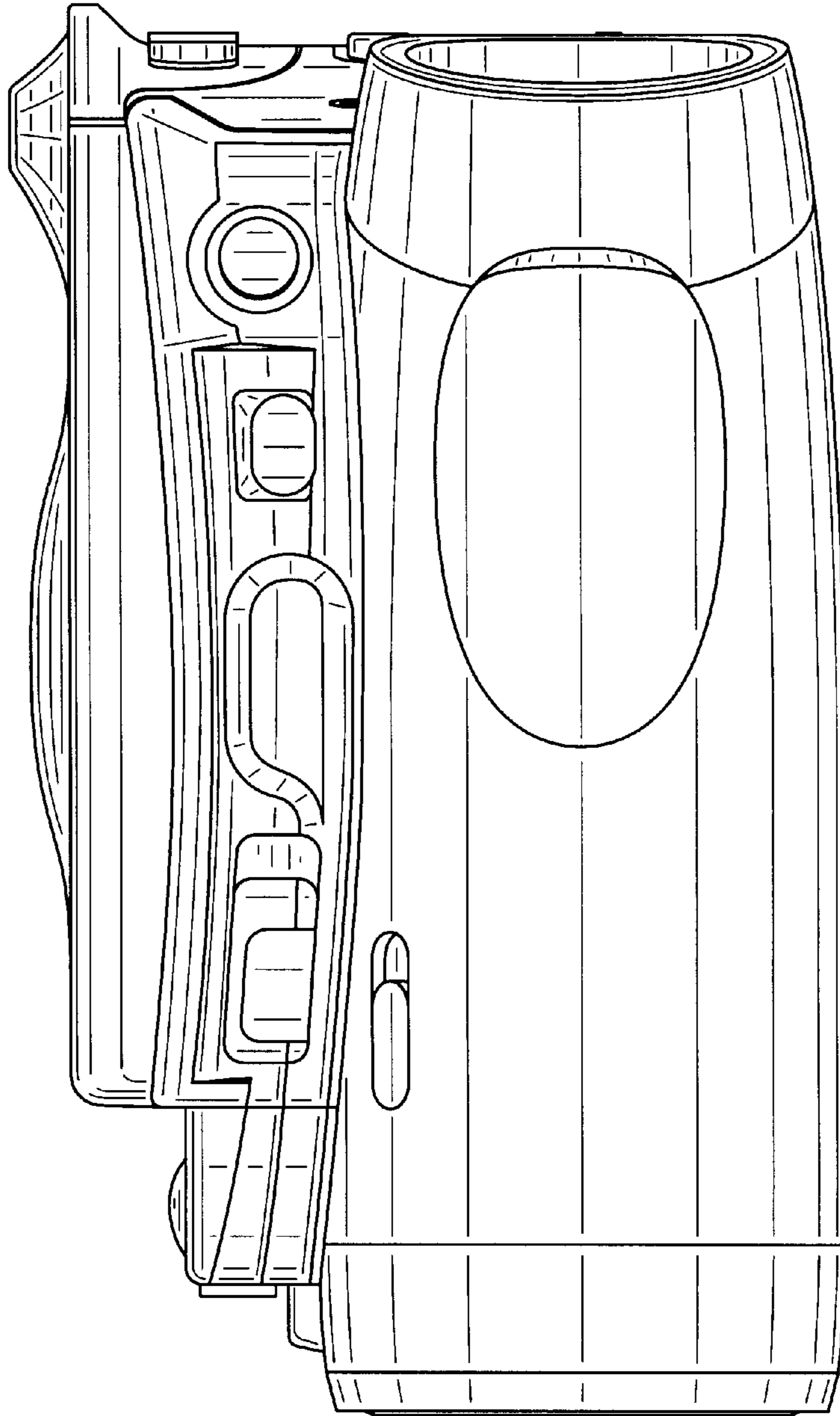


Fig.7

