

US00D542316S

(12) **United States Design Patent**  
**Jackson et al.**

(10) **Patent No.:** **US D542,316 S**

(45) **Date of Patent:** **\*\* May 8, 2007**

(54) **PRODUCT DISPENSER**

(75) Inventors: **Matthew R. J. Jackson**, Chicago, IL (US); **Margaret M. Reeber**, Chicago, IL (US); **Scott L. Fisher**, Evansville, IN (US); **Thomas B. Walker, III**, Evansville, IN (US)

(73) Assignee: **Wm. Wrigley Jr. Company**, Chicago, IL (US)

(\*\*) Term: **14 Years**

(21) Appl. No.: **29/246,660**

(22) Filed: **May 1, 2006**

(51) **LOC (8) Cl.** ..... **09-03**

(52) **U.S. Cl.** ..... **D15/733**

(58) **Field of Classification Search** ..... D9/730, D9/733, 757, 414, 420, 422, 424, 426, 428; D3/203.2; D6/512, 515; D28/4, 7, 9, 73-77, D28/85; 206/373, 376, 385; 221/17, 22, 92-98, 221/112, 289; 222/92-97, 129; 225/25; 220/8  
See application file for complete search history.

(56) **References Cited**

**U.S. PATENT DOCUMENTS**

D115,047 S	*	5/1939	Matthay	.....	D9/422
2,367,019 A		1/1945	Haag		
2,935,180 A		5/1960	von Schuckmann		
D204,505 S	*	4/1966	Bostrom	.....	D9/757
4,043,448 A		8/1977	Tanaka		
4,262,835 A	*	4/1981	Wrobel	.....	225/25
D273,403 S	*	4/1984	DeLuca	.....	D9/426
D276,590 S	*	12/1984	Lobel	.....	D9/730
D301,643 S	*	6/1989	Bakic	.....	D28/85
D322,394 S	*	12/1991	Grandesso	.....	D9/422
D337,725 S	*	7/1993	Bunin	.....	D3/203.3
5,620,109 A		4/1997	Madden		

5,680,949 A	*	10/1997	Roesler	.....	220/8
D391,681 S	*	3/1998	Huang	.....	D28/85
5,829,591 A	*	11/1998	Lyons	.....	206/373
D426,153 S		6/2000	Sagel et al.		
D456,952 S	*	5/2002	Sakurai et al.	.....	D28/76
6,530,478 B1		3/2003	Kanoyadani et al.		
D491,805 S		6/2004	Loth et al.		
D495,250 S	*	8/2004	Learey	.....	D9/428
6,953,131 B2		10/2005	Devine		
D511,090 S		11/2005	Devine		
D513,178 S		12/2005	Bruun		

\* cited by examiner

*Primary Examiner*—Stella Reid

*Assistant Examiner*—Shanda C. Hill

(74) *Attorney, Agent, or Firm*—Rebecca A. Aumann

(57) **CLAIM**

The ornamental design for a product dispenser, as shown and described.

**DESCRIPTION**

FIG. 1 is a perspective view of a product dispenser showing our new design;

FIG. 2 is a left side view thereof;

FIG. 3 is a right side view thereof;

FIG. 4 is a front view thereof;

FIG. 5 is a rear view thereof;

FIG. 6 is a bottom view thereof;

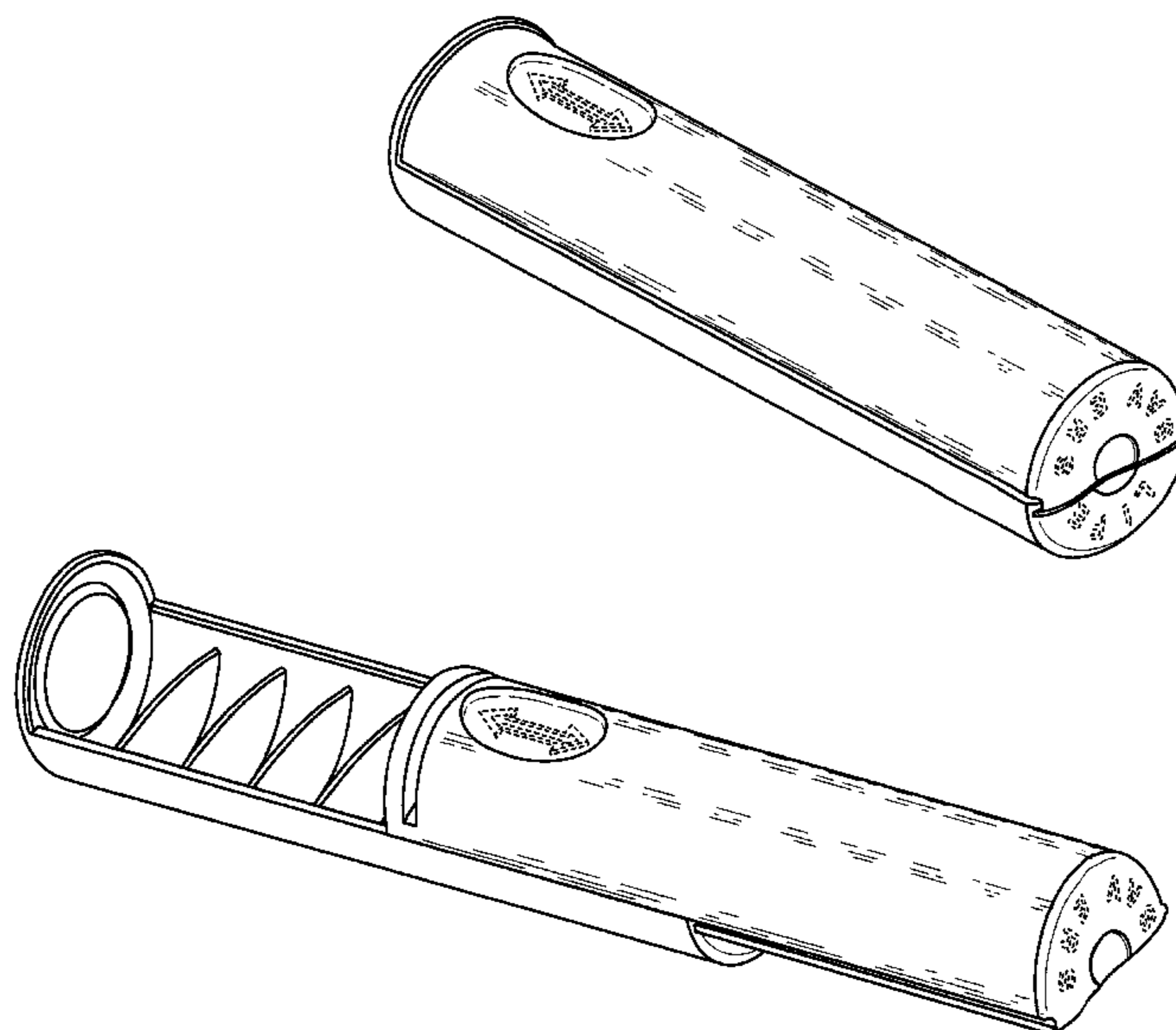
FIG. 7 is a top view thereof;

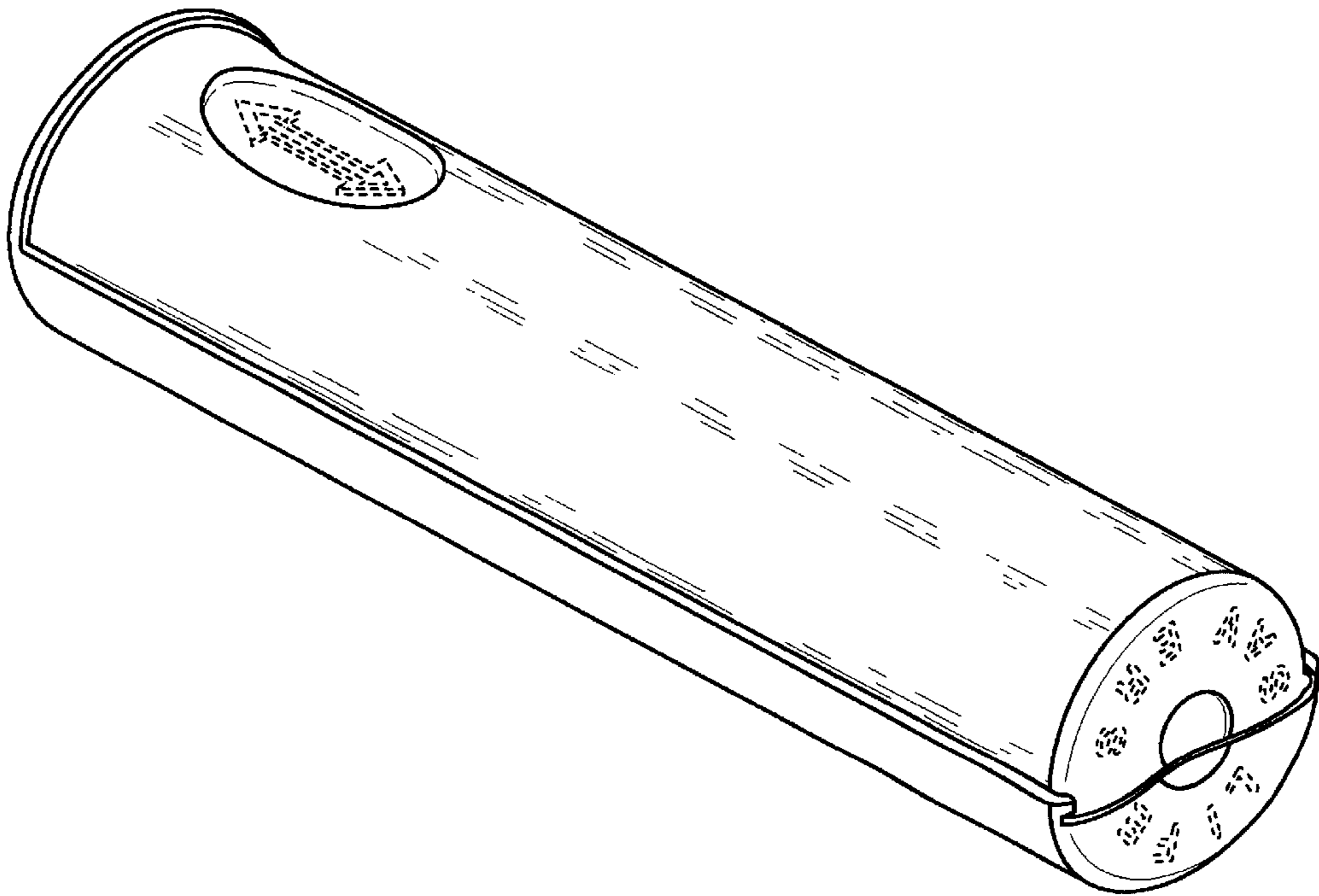
FIG. 8 is a top perspective view thereof, shown in an alternate position; and,

FIG. 9 is a top perspective view of FIG. 8 shown in an alternate environment.

The broken lines shown in the drawing disclosure are for illustrative purposes only and form no part of the claimed design.

**1 Claim, 6 Drawing Sheets**





**FIG. 1**

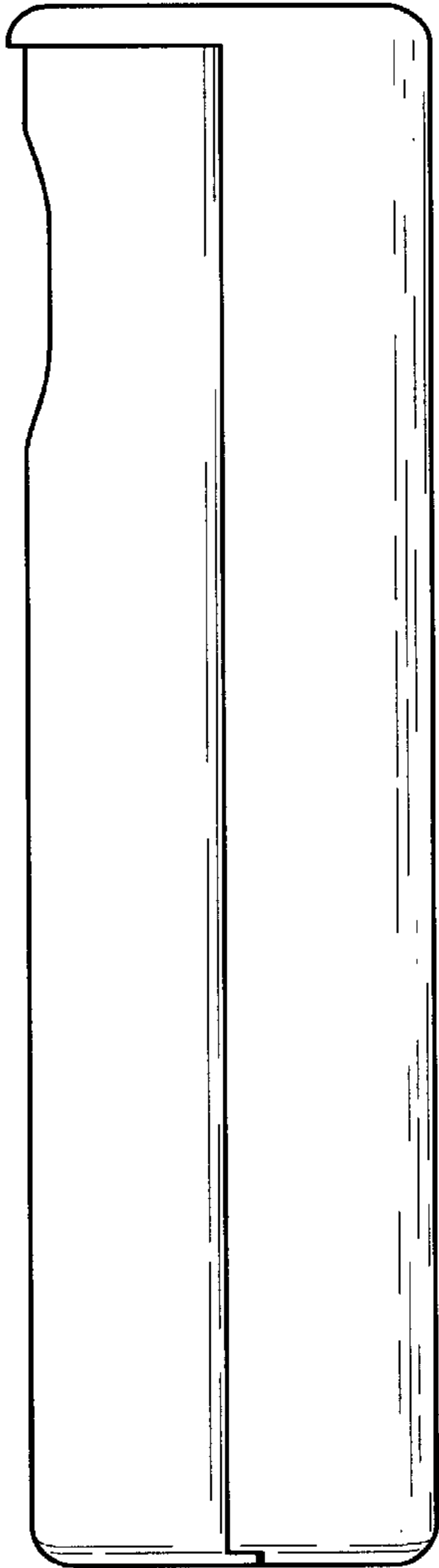


FIG. 2

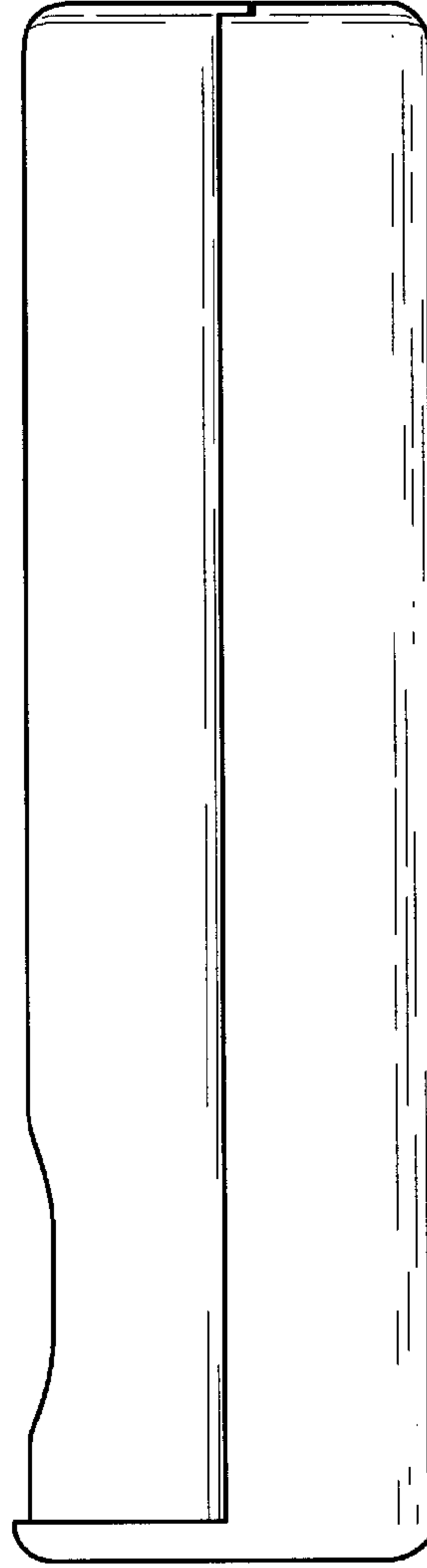
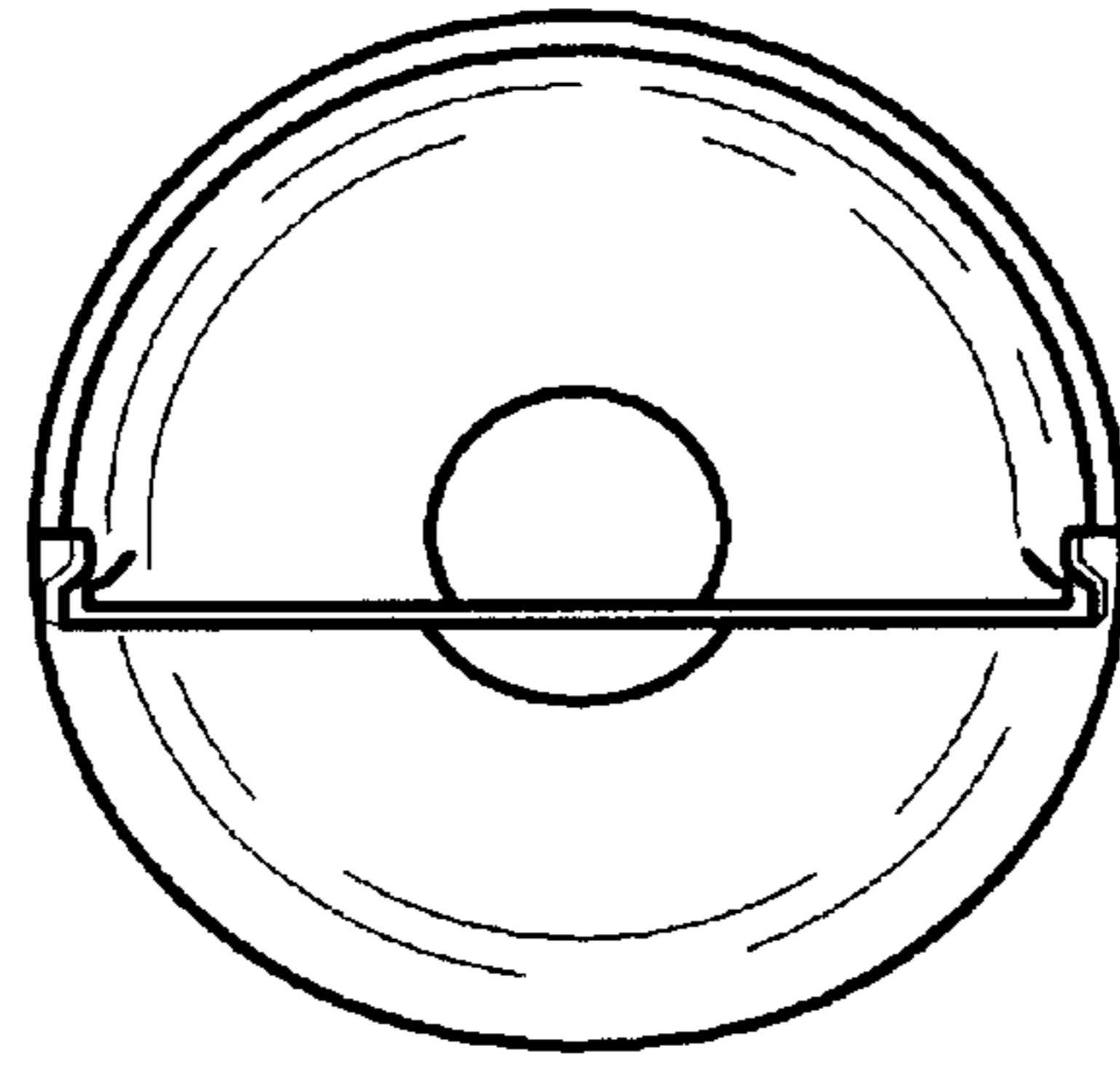
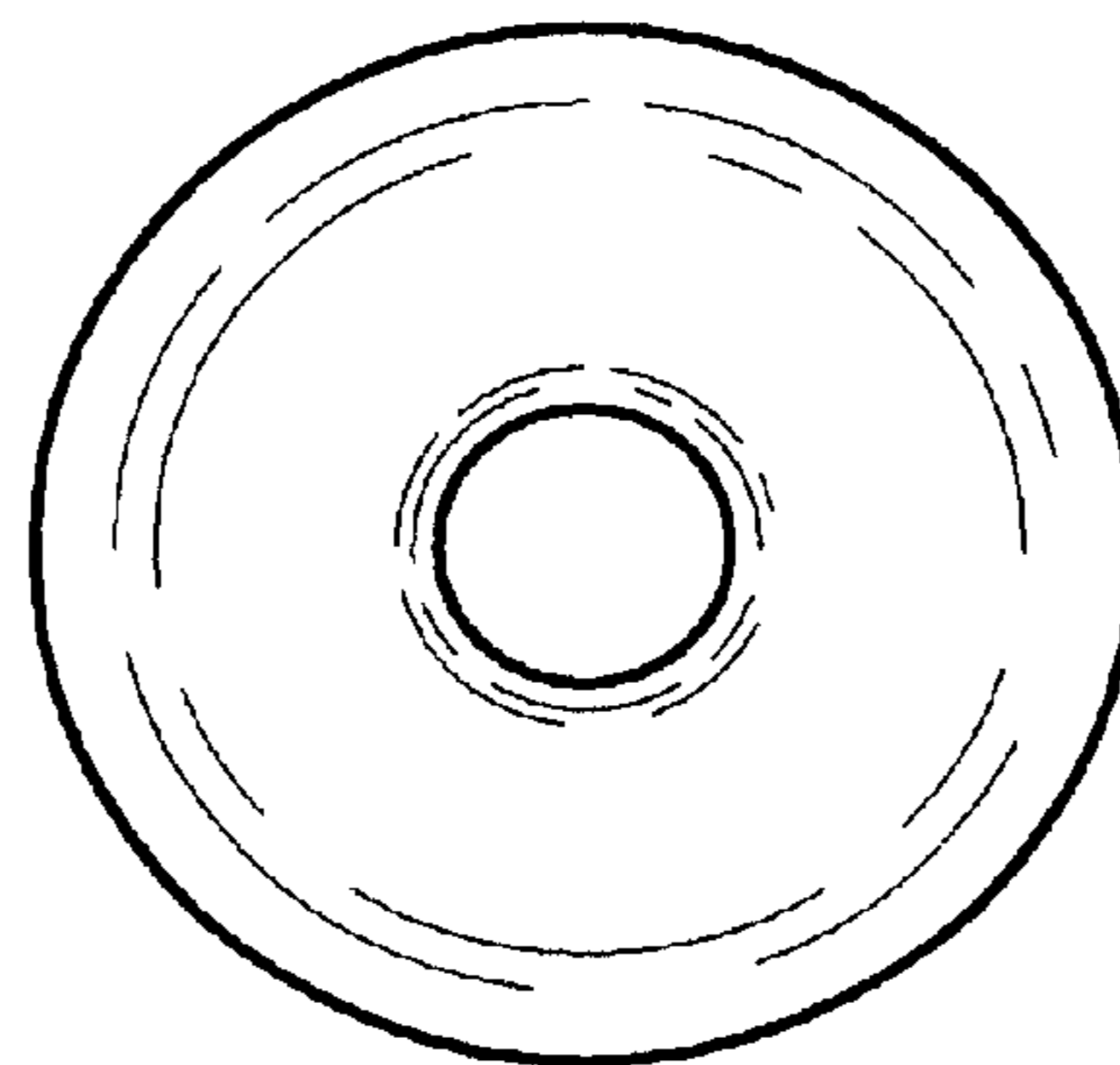


FIG. 3



**FIG. 4**



**FIG. 5**

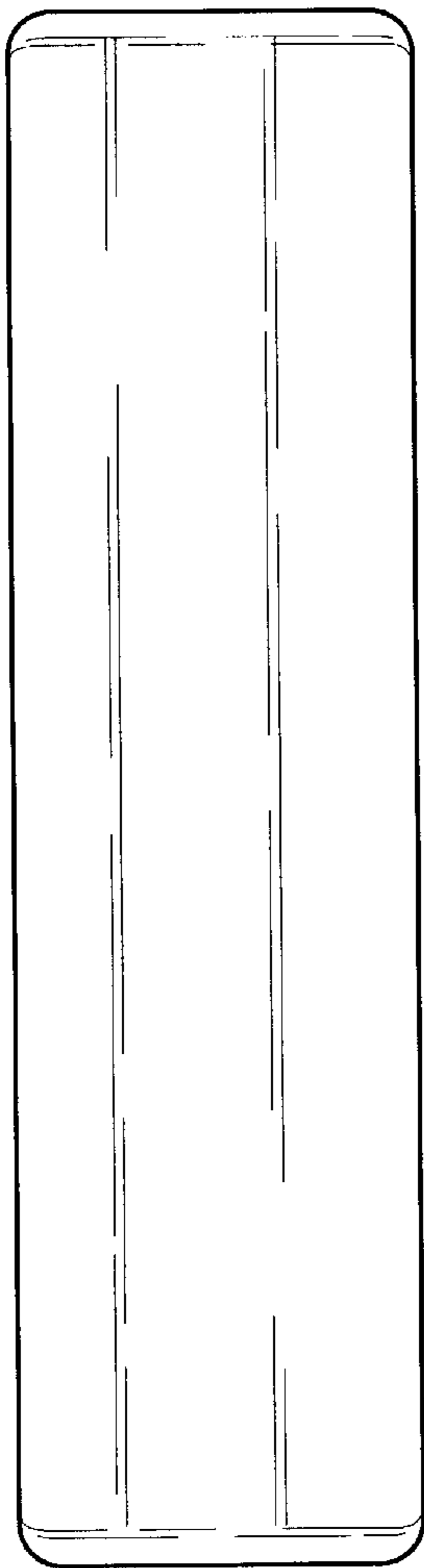


FIG. 6

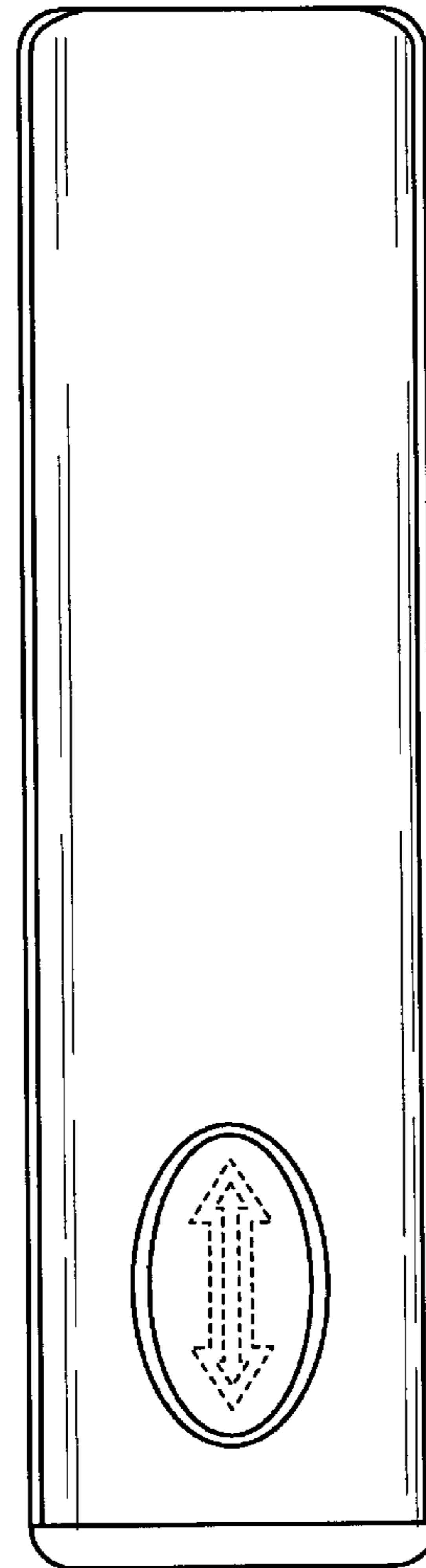


FIG. 7

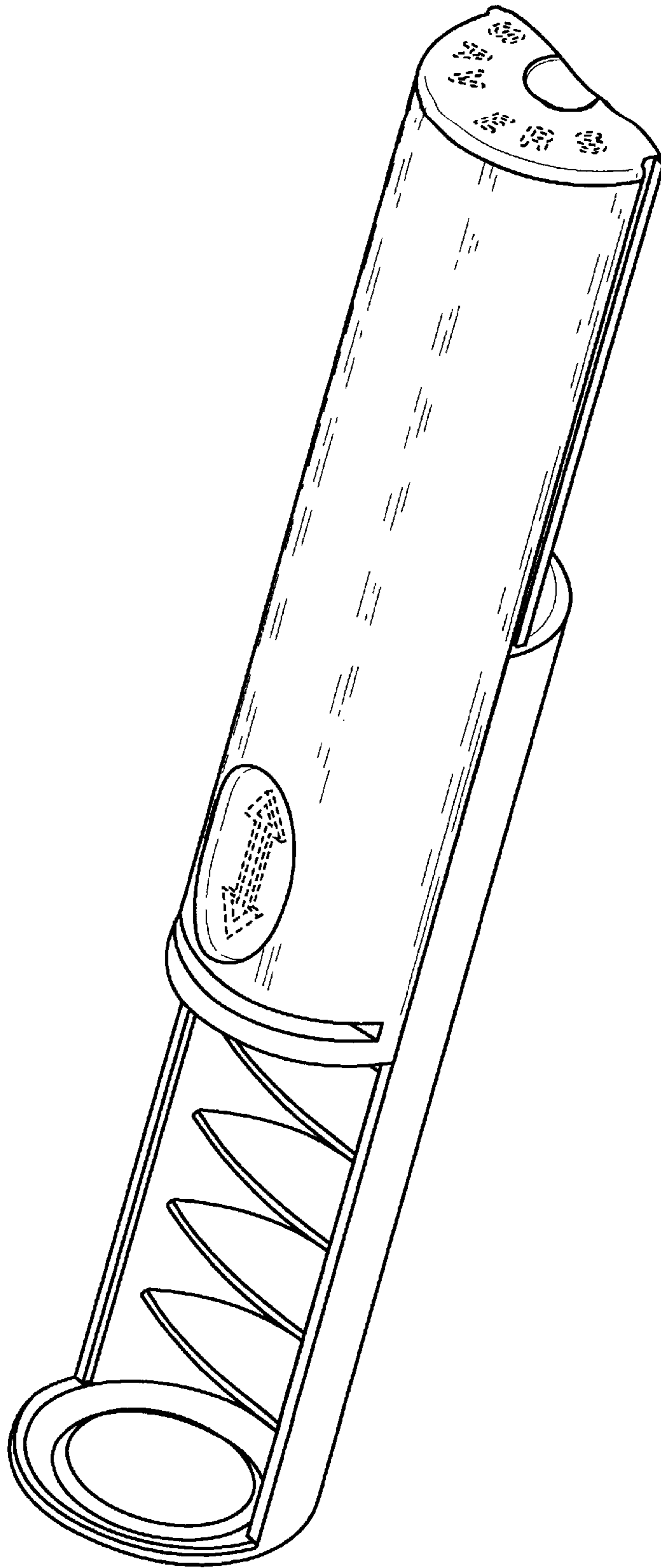


FIG. 8

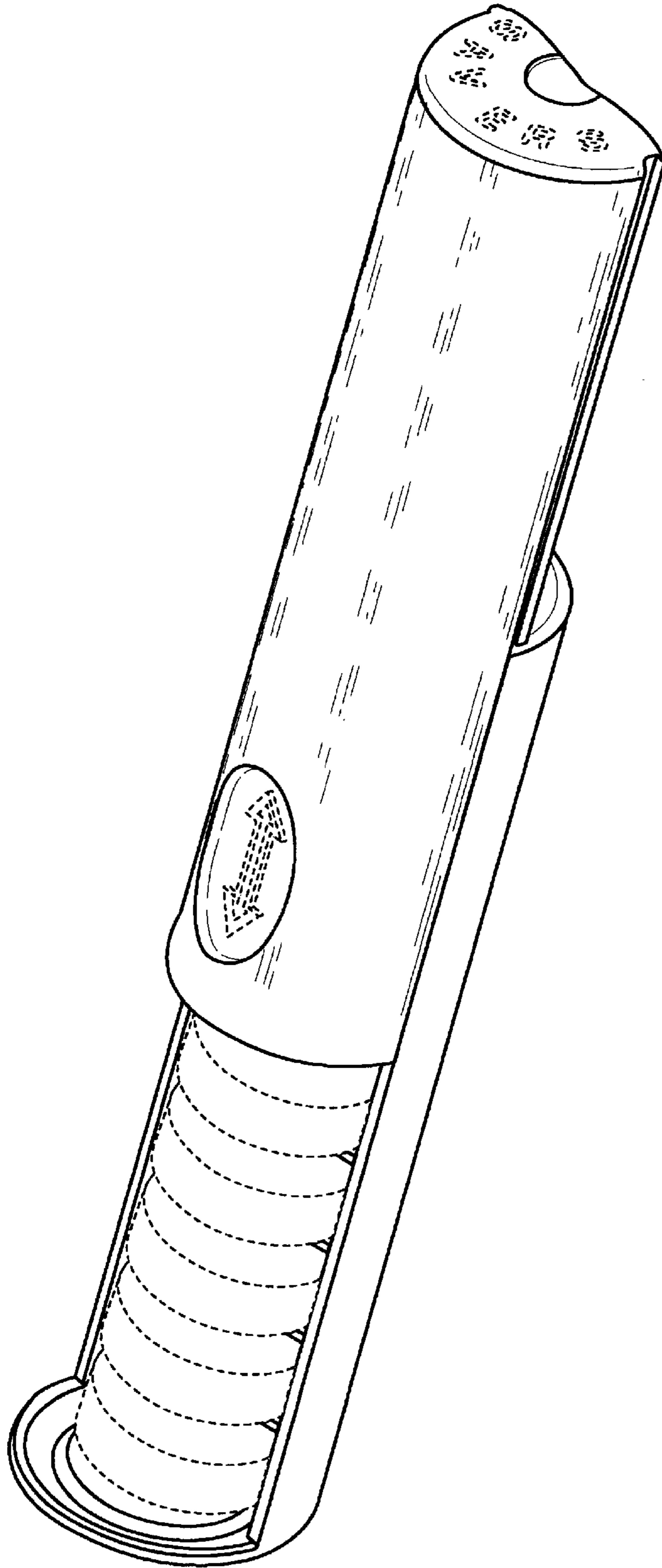


FIG. 9