

US00D542315S

(12) **United States Design Patent**
Chang

(10) **Patent No.:** **US D542,315 S**

(45) **Date of Patent:** **** May 8, 2007**

(54) **ELECTRIC SEALER**

(76) Inventor: **Richard Chang**, 4th Fl., No. 276, Sec. 1, Ta Tung Rd., Hsi Chih City, Taipei (TW)

(**) Term: **14 Years**

(21) Appl. No.: **29/263,492**

(22) Filed: **Jul. 25, 2006**

(51) **LOC (8) Cl.** **15-09**

(52) **U.S. Cl.** **D15/146**

(58) **Field of Classification Search** D15/145, D15/146; 156/583.6; 219/227, 229, 233, 219/243

See application file for complete search history.

(56) **References Cited**

U.S. PATENT DOCUMENTS

| | | | | | |
|-----------------|---|---------|--------------|-------|---------|
| D328,750 S | * | 8/1992 | Chou | | D15/146 |
| D401,950 S | * | 12/1998 | Chou | | D15/146 |
| D411,554 S | * | 6/1999 | Lee | | D15/146 |
| 2002/0070206 A1 | * | 6/2002 | Chou et al. | | 219/243 |
| 2003/0019861 A1 | * | 1/2003 | Chou et al. | | 219/243 |
| 2006/0163237 A1 | * | 7/2006 | Chang et al. | | 219/243 |

2006/0231211 A1 * 10/2006 Chou et al. 219/243

* cited by examiner

Primary Examiner—Antoine D. Davis

Assistant Examiner—Patricia Palasik

(74) *Attorney, Agent, or Firm*—Bacon & Thomas, PLLC

(57) **CLAIM**

The ornamental design for an electric sealer, as shown and described.

DESCRIPTION

FIG. 1 is a perspective view of an electric sealer showing my new design;

FIG. 2 is a front elevational view thereof;

FIG. 3 is a rear elevational view thereof;

FIG. 4 is a left side elevational view thereof;

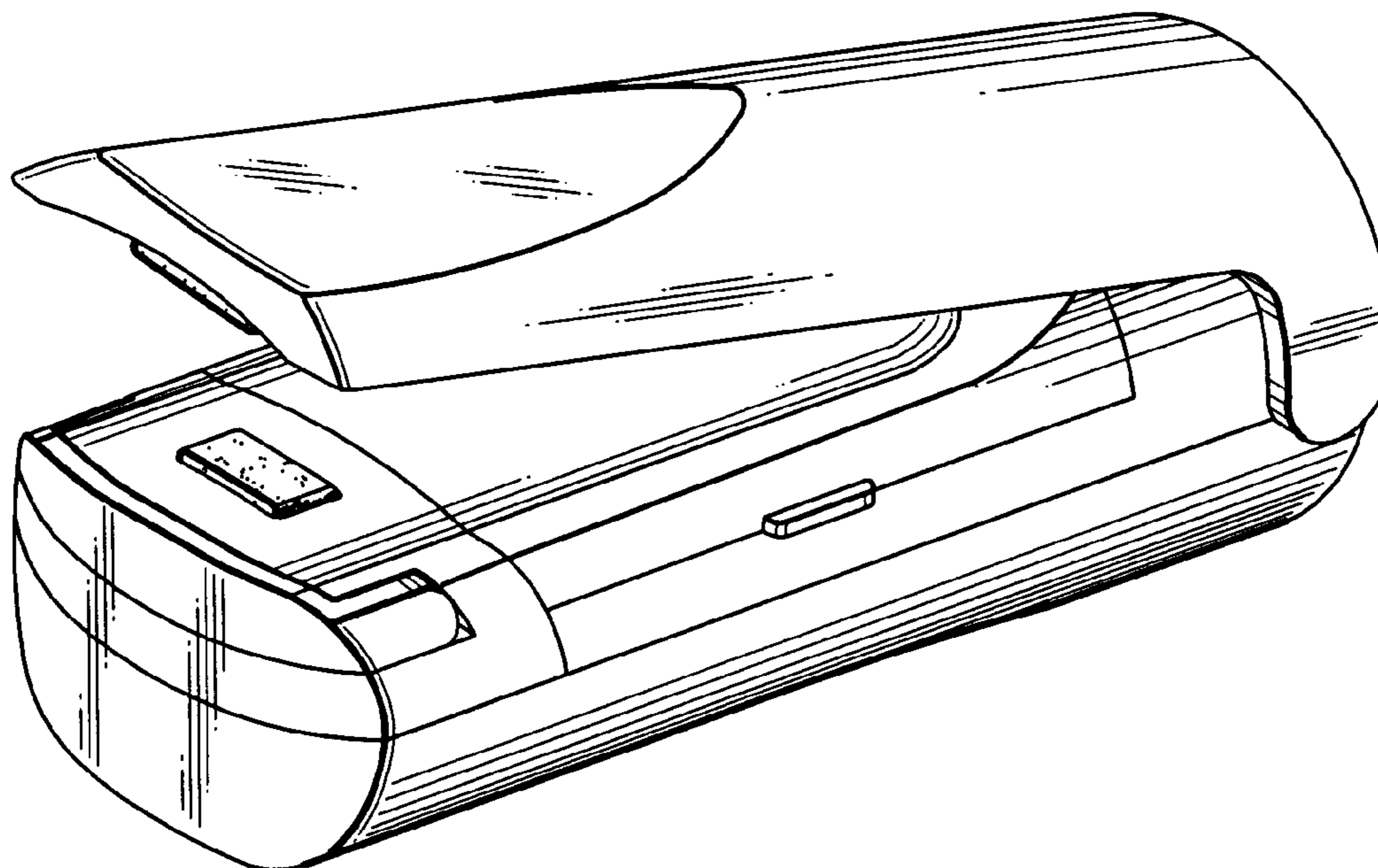
FIG. 5 is a right side elevational view thereof;

FIG. 6 is a top plan view thereof;

FIG. 7 is a bottom plan view thereof; and,

FIG. 8 is a perspective view of a second embodiment of the electric sealer, with the lone difference being the addition of a safety cover.

1 Claim, 4 Drawing Sheets



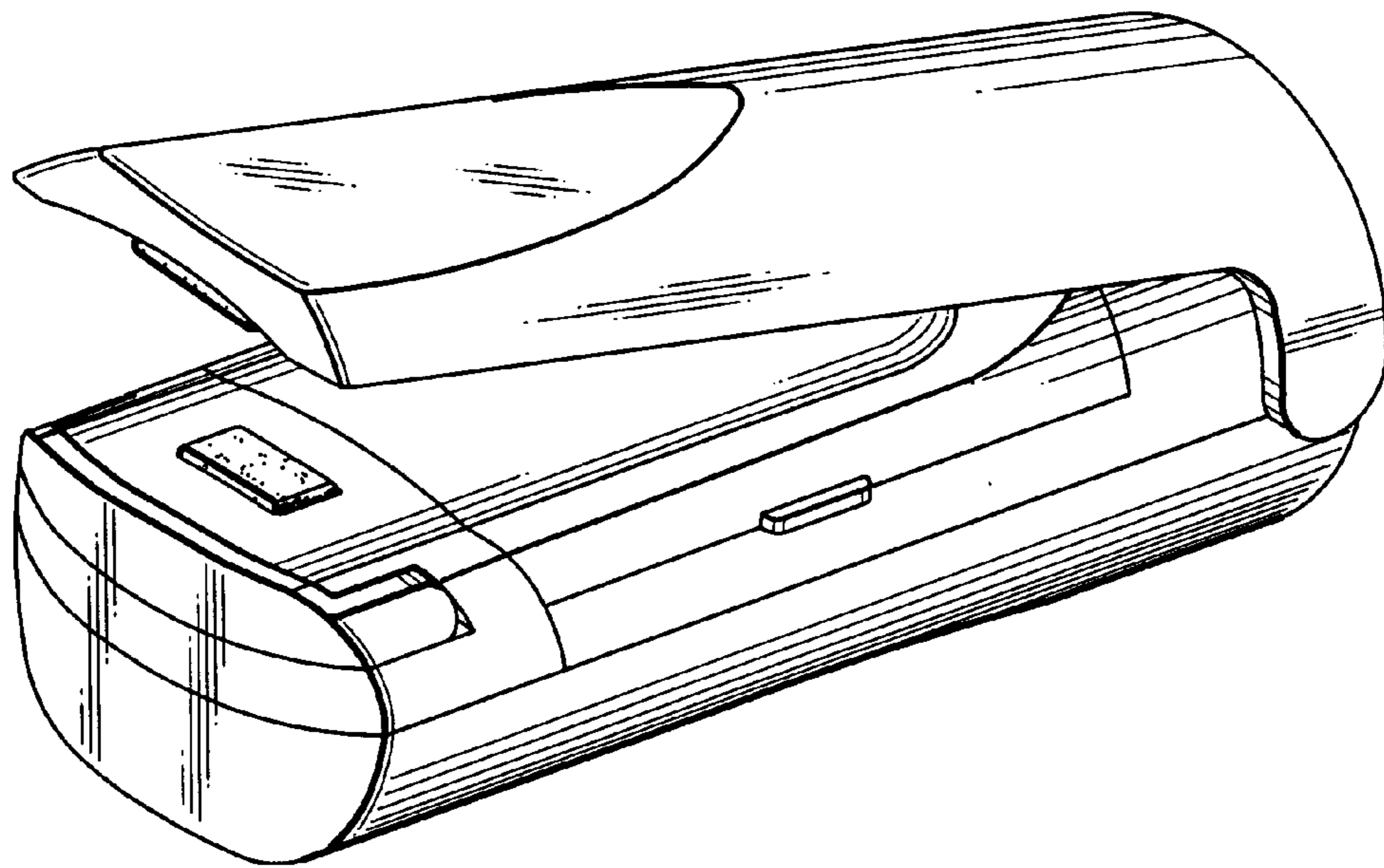


FIG. 1

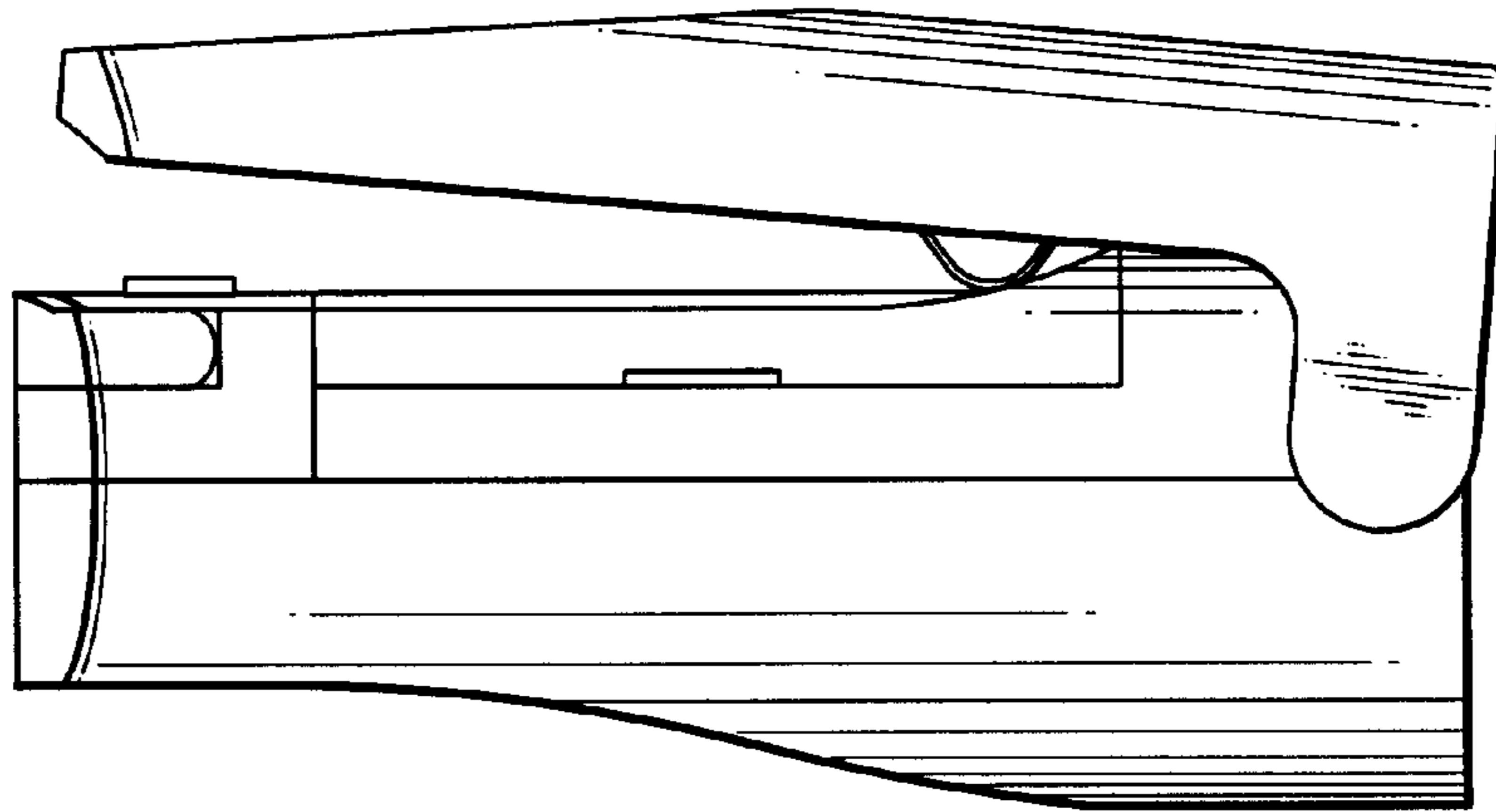


FIG. 2

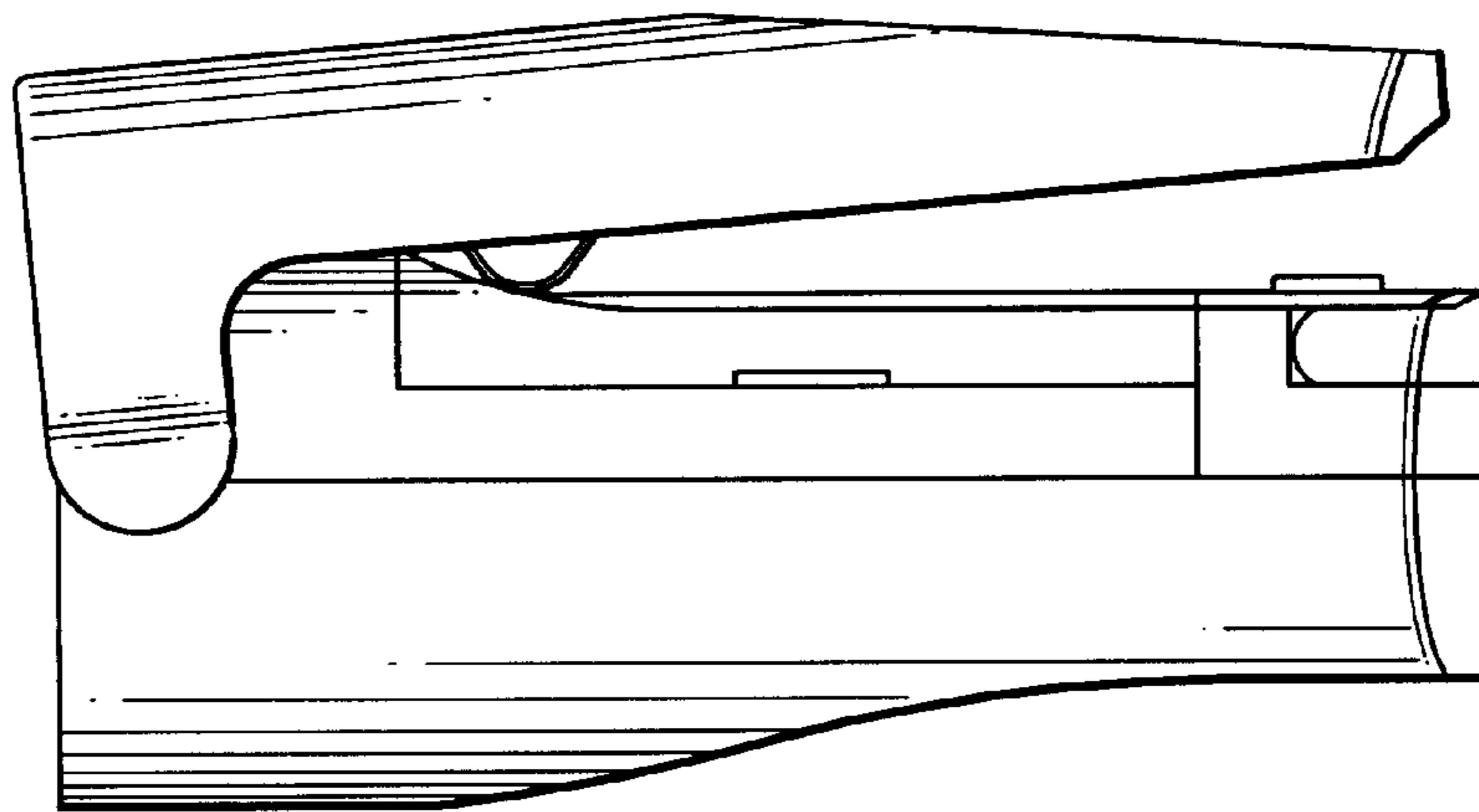


FIG. 3

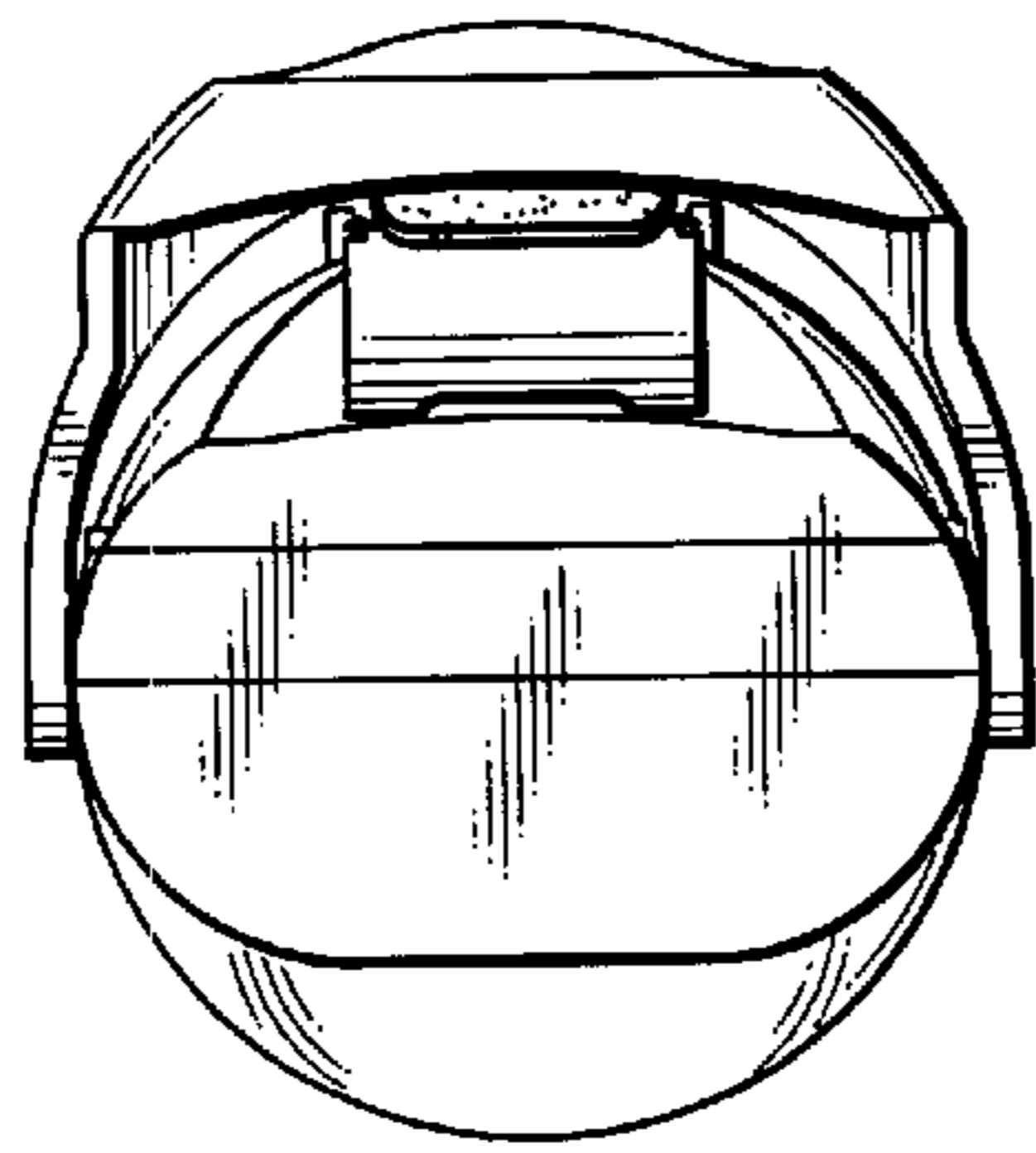


FIG. 4

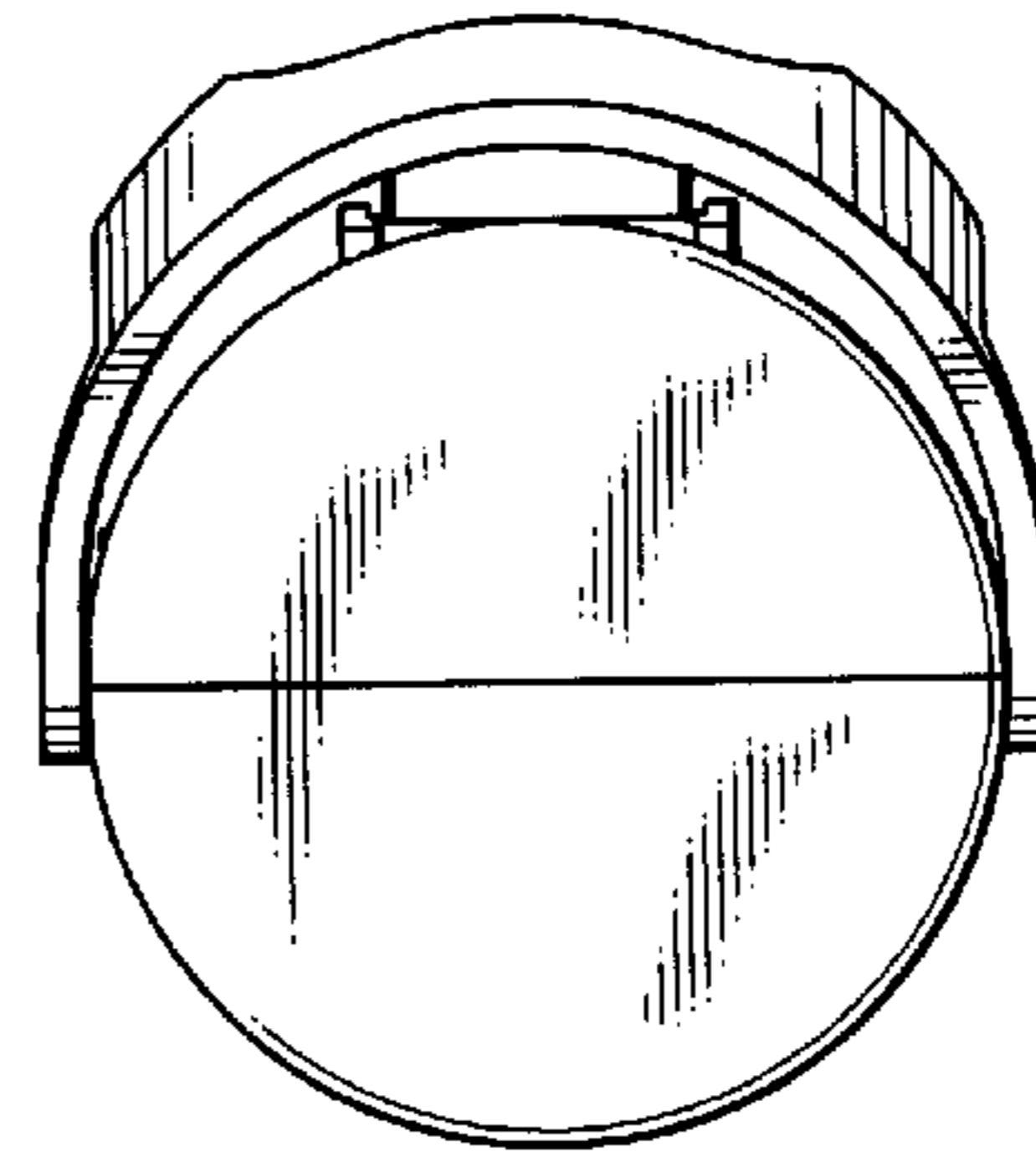


FIG. 5

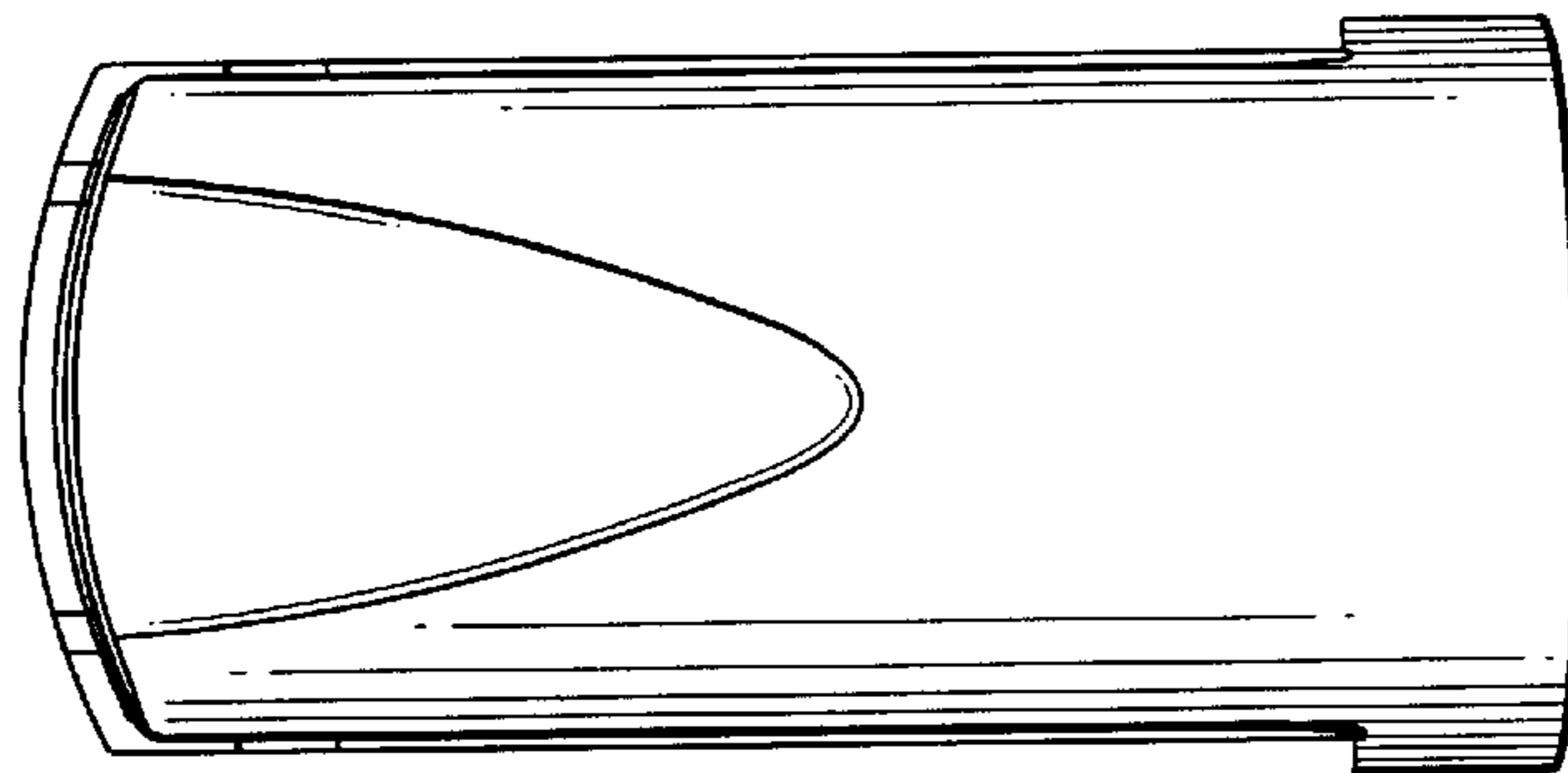


FIG. 6

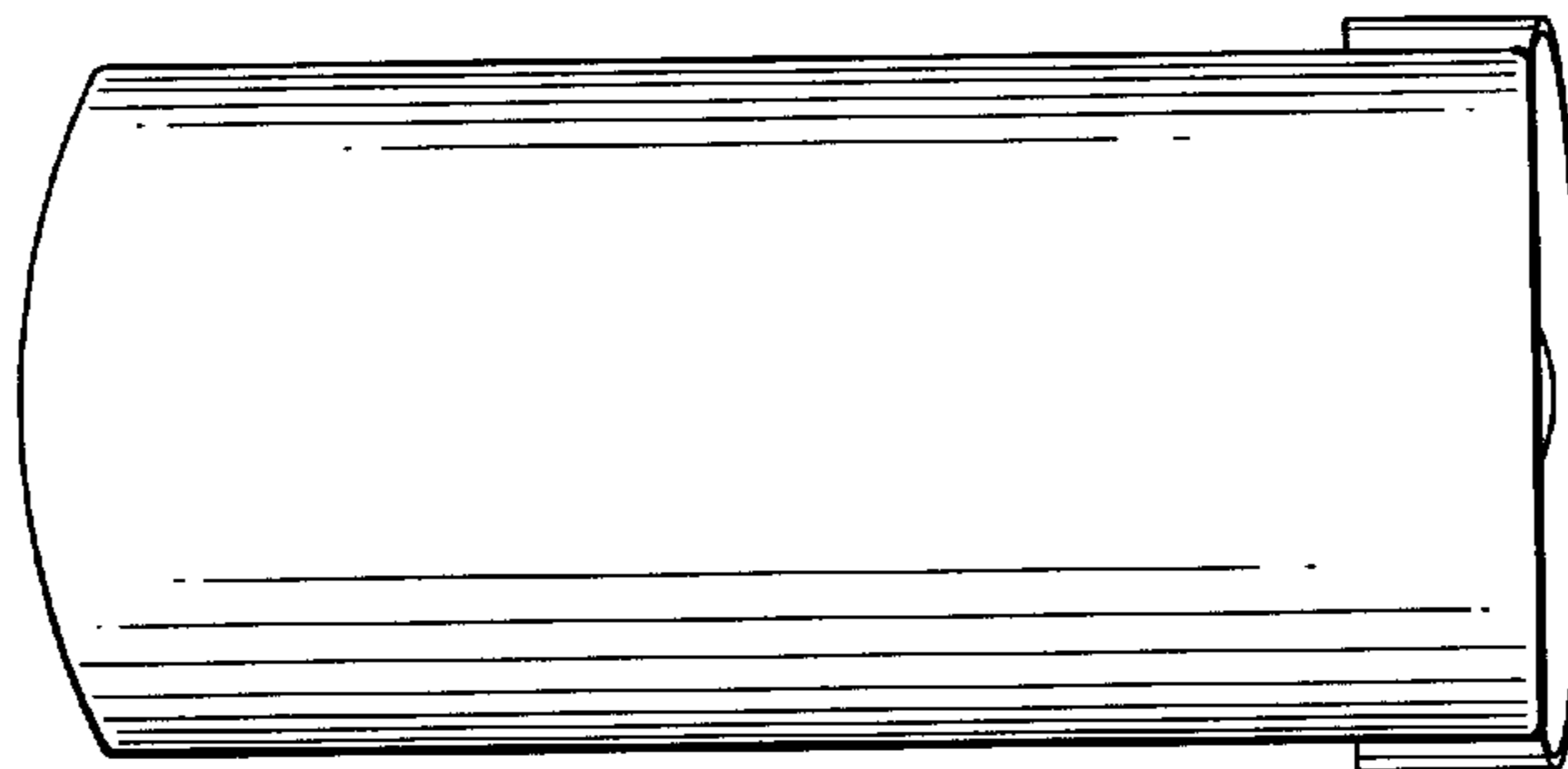


FIG. 7

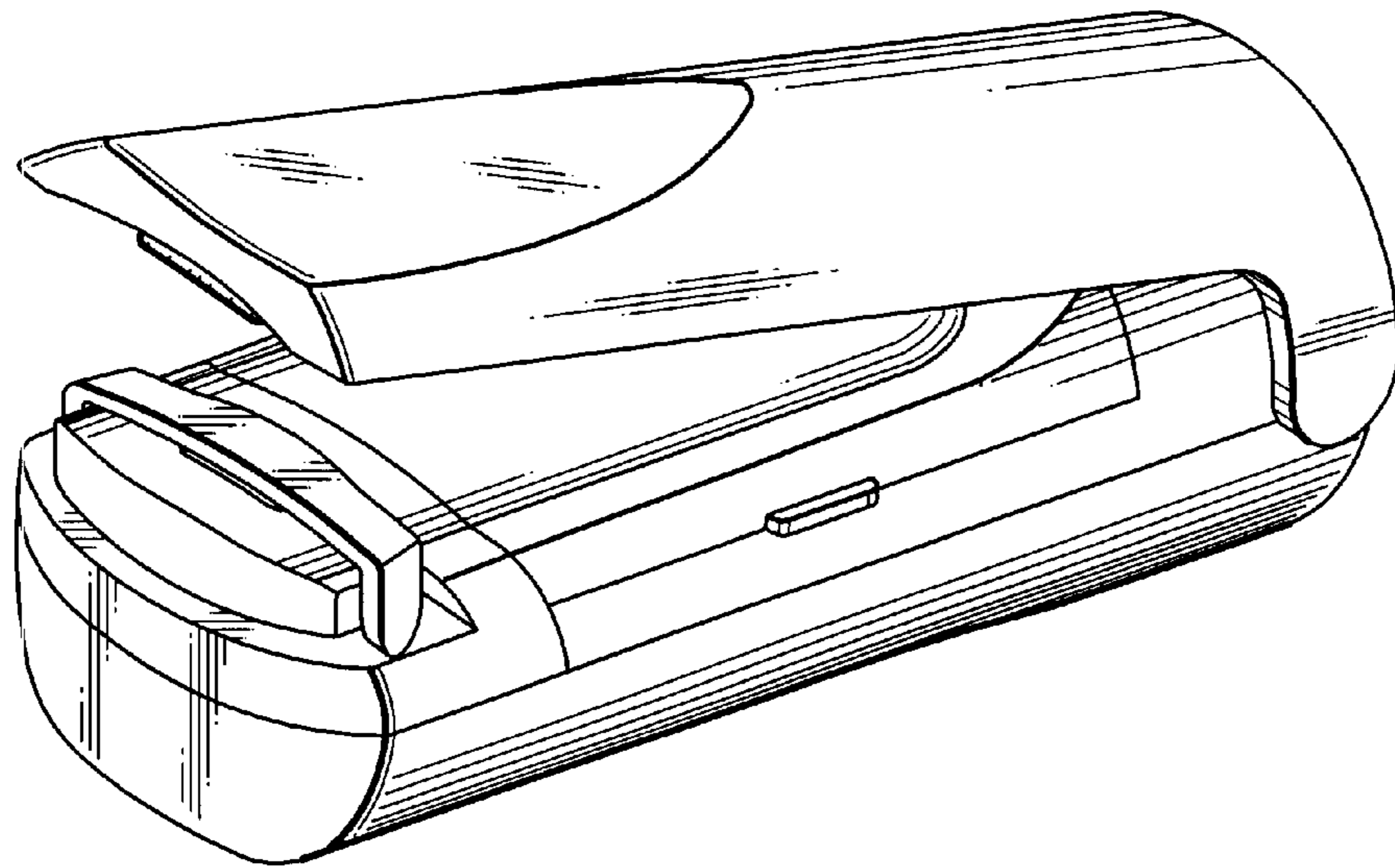


FIG. 8