



US00D542312S

(12) **United States Design Patent**
Skradski et al.

(10) **Patent No.:** **US D542,312 S**

(45) **Date of Patent:** **** May 8, 2007**

(54) **DEBRIS SHIELD**

6,193,448 B1 * 2/2001 Brennan 408/67
6,457,915 B1 10/2002 Kao

(76) Inventors: **Thomas J. Skradski**, 1001 Sunnyhills Rd., Oakland, CA (US) 94610; **Gary L. Cross**, 253 Molimo Dr., San Francisco, CA (US) 94127

* cited by examiner

Primary Examiner—Antoine D. Davis

Assistant Examiner—Patricia Palasik

(74) *Attorney, Agent, or Firm*—Donald L. Beeson; Beeson Skinner Beverly, LLP

(**) Term: **14 Years**

(21) Appl. No.: **29/242,497**

(57) **CLAIM**

(22) Filed: **Nov. 10, 2005**

The ornamental design for a debris shield, as shown and described.

(51) **LOC (8) Cl.** **15-09**

(52) **U.S. Cl.** **D15/138**

(58) **Field of Classification Search** D15/126,
D15/132, 138; 51/270; 144/252; 145/116;
173/75; 175/209, 211; 408/58, 67, 72, 204,
408/206, 207, 209, 241 G

See application file for complete search history.

DESCRIPTION

FIG. 1 is a top perspective view of a debris shield showing our new design;

FIG. 2 is a bottom perspective view thereof, with the debris shield rotated 90 degrees;

FIG. 3 is a front elevational view thereof;

FIG. 4 is a left side elevational view thereof, the right side being a mirror image;

FIG. 5 is a rear elevational view thereof;

FIG. 6 is a top plan view thereof; and,

FIG. 7 is a bottom plan view thereof.

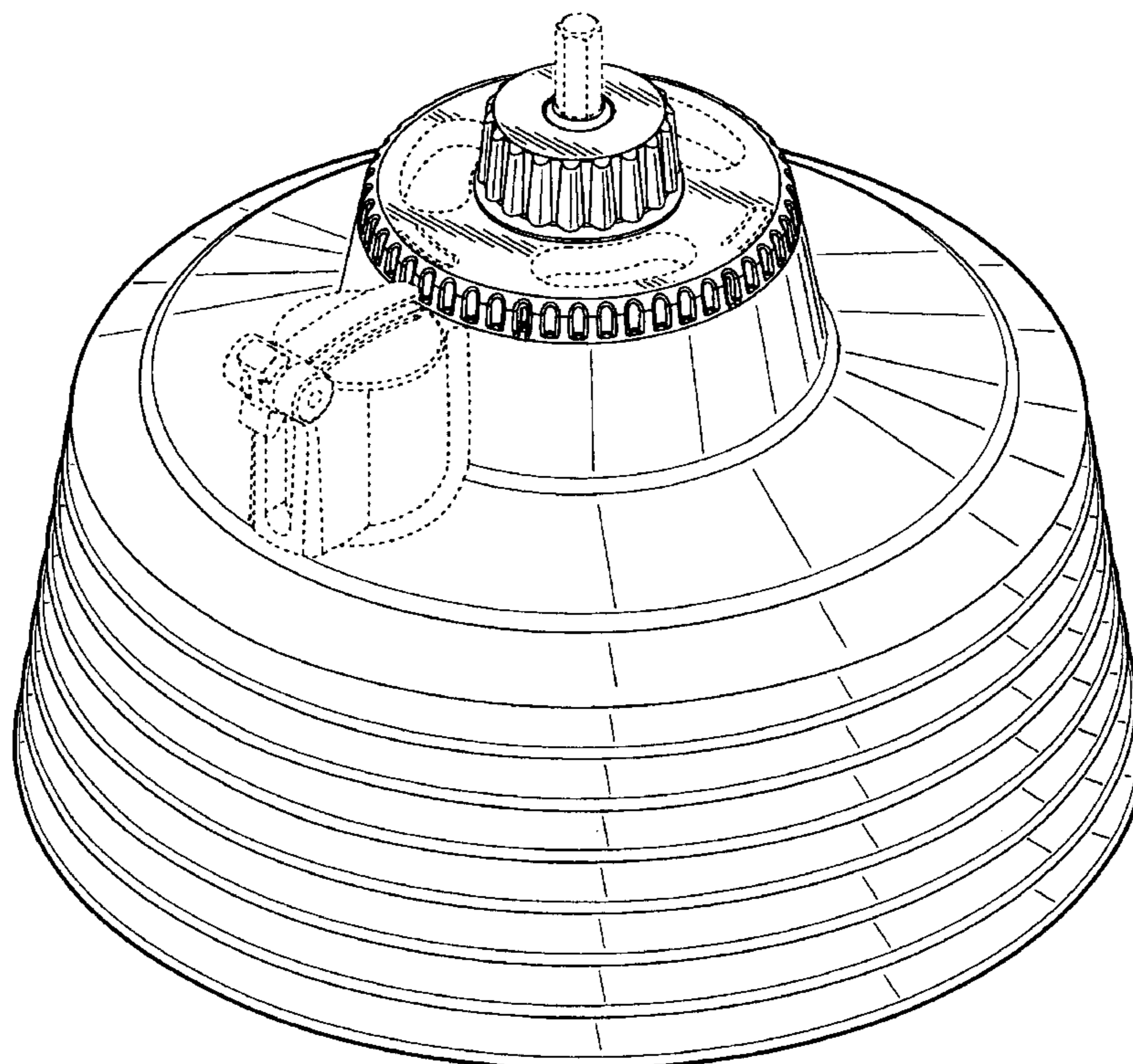
The broken lines shown in FIGS. 1–7 are for illustrative purposes only and indicate the nature and use of our new design; they form no part of our claimed design. The broken line circle immediately adjacent the shaded areas in FIGS. 2 and 7 represent the bounds of the claimed design; the broken line circle and the area within the circle form no part of our design.

(56) **References Cited**

U.S. PATENT DOCUMENTS

| | | | | | |
|-----------|---|---|---------|---------------|---------|
| 2,702,181 | A | * | 2/1955 | Brown et al. | 175/209 |
| 2,792,199 | A | * | 5/1957 | Becker et al. | 175/211 |
| 3,339,435 | A | * | 9/1967 | Heitz | 408/67 |
| 3,536,149 | A | * | 10/1970 | Laird | 175/209 |
| 3,583,821 | A | | 6/1971 | Shaub et al. | |
| 3,936,213 | A | | 2/1976 | Kappel | |
| 4,921,375 | A | | 5/1990 | Famulari | |
| 5,160,230 | A | * | 11/1992 | Cuevas | 408/67 |
| 5,292,210 | A | * | 3/1994 | Nowick | 408/67 |
| 5,653,561 | A | | 8/1997 | May | |
| 6,164,881 | A | * | 12/2000 | Shono | 408/67 |

1 Claim, 7 Drawing Sheets



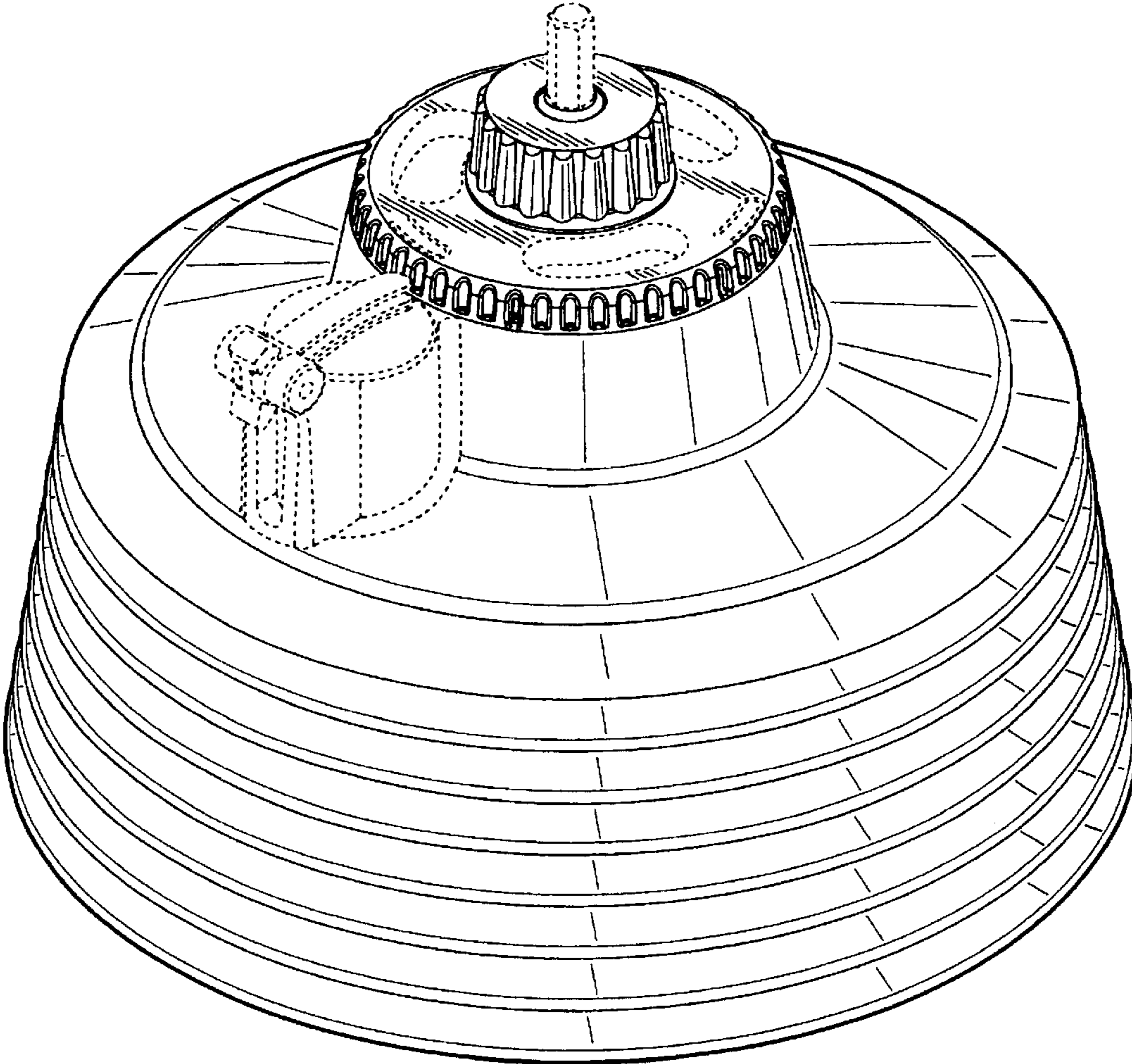


FIG. 1

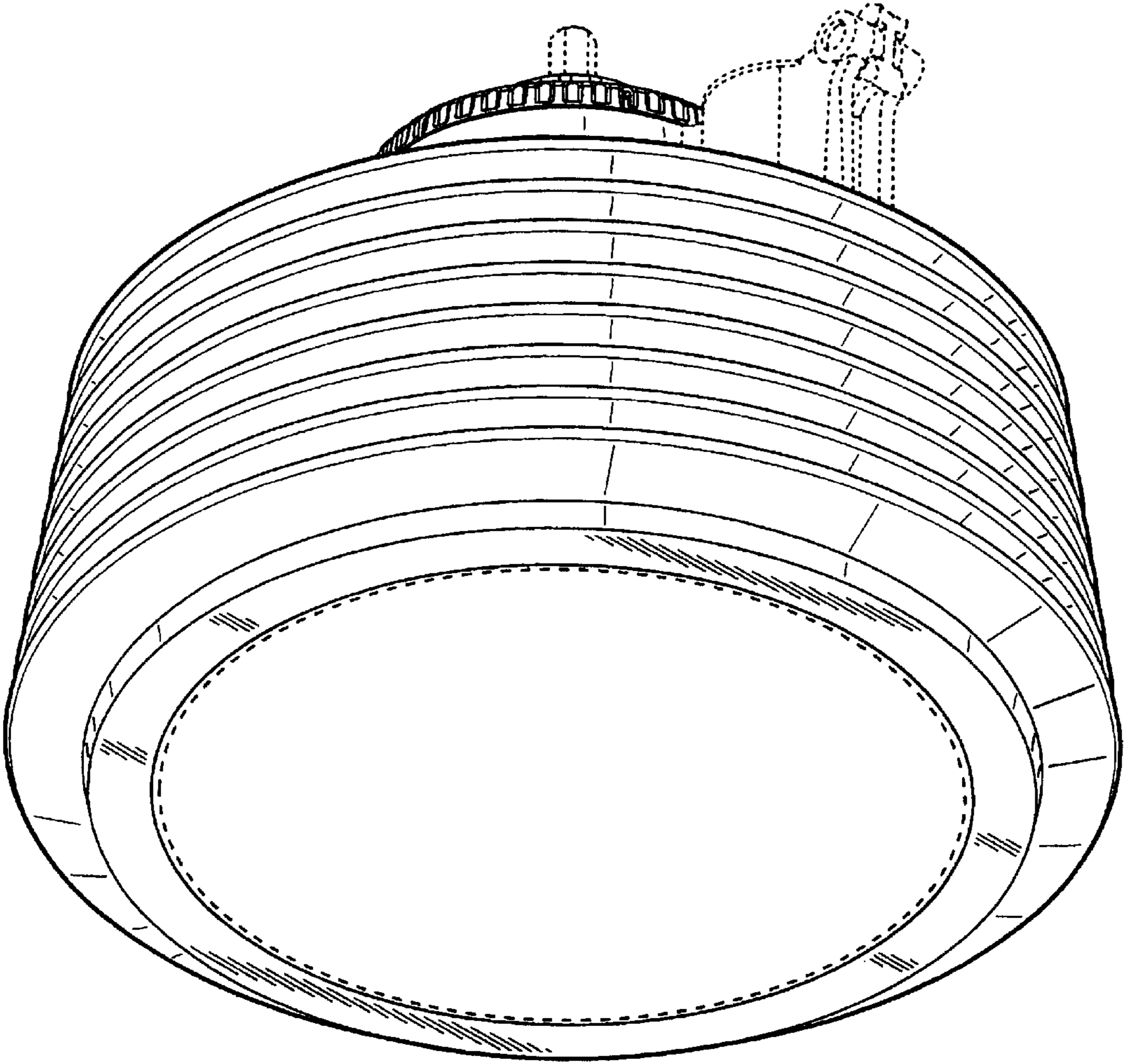


FIG. 2

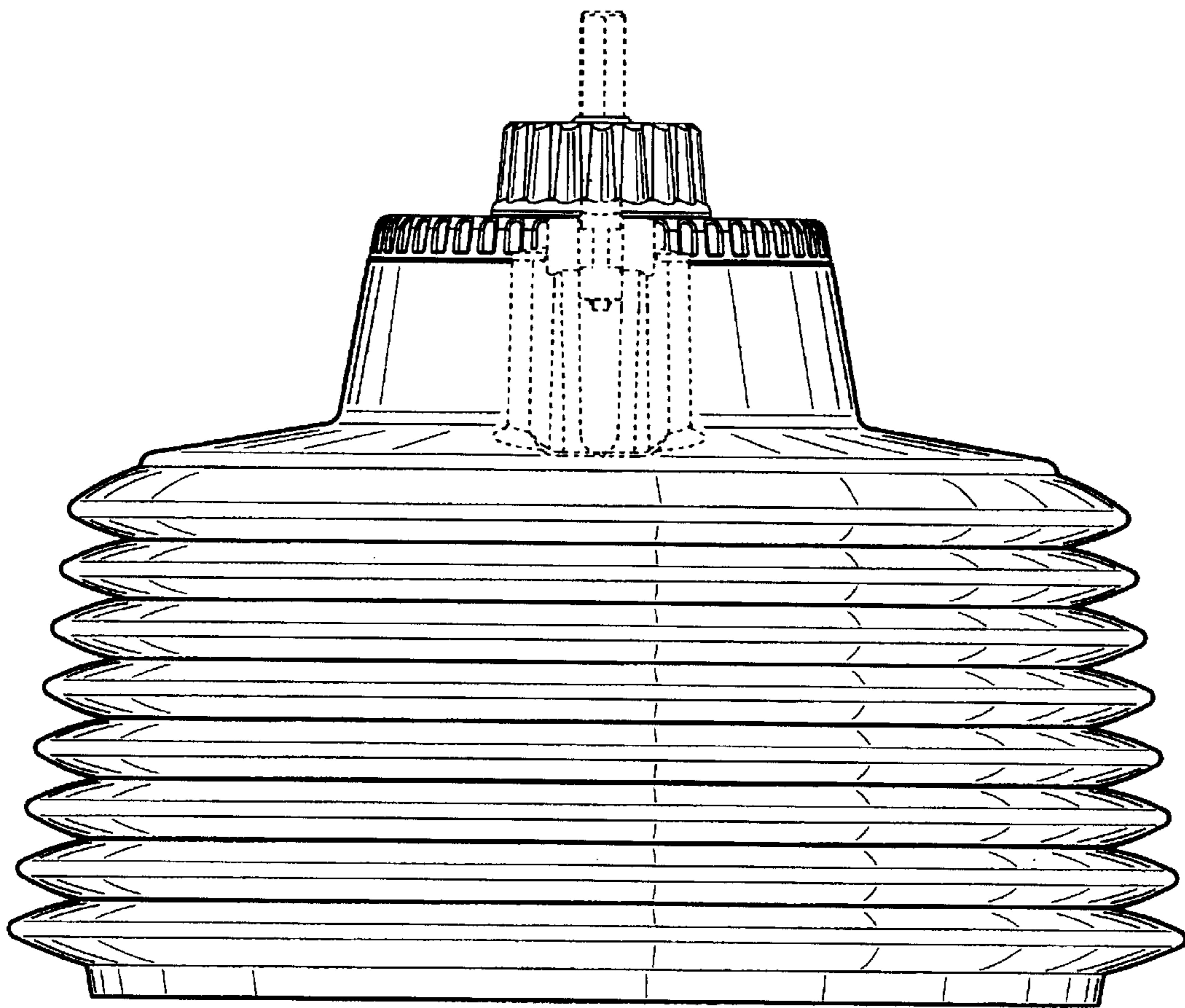


FIG. 3

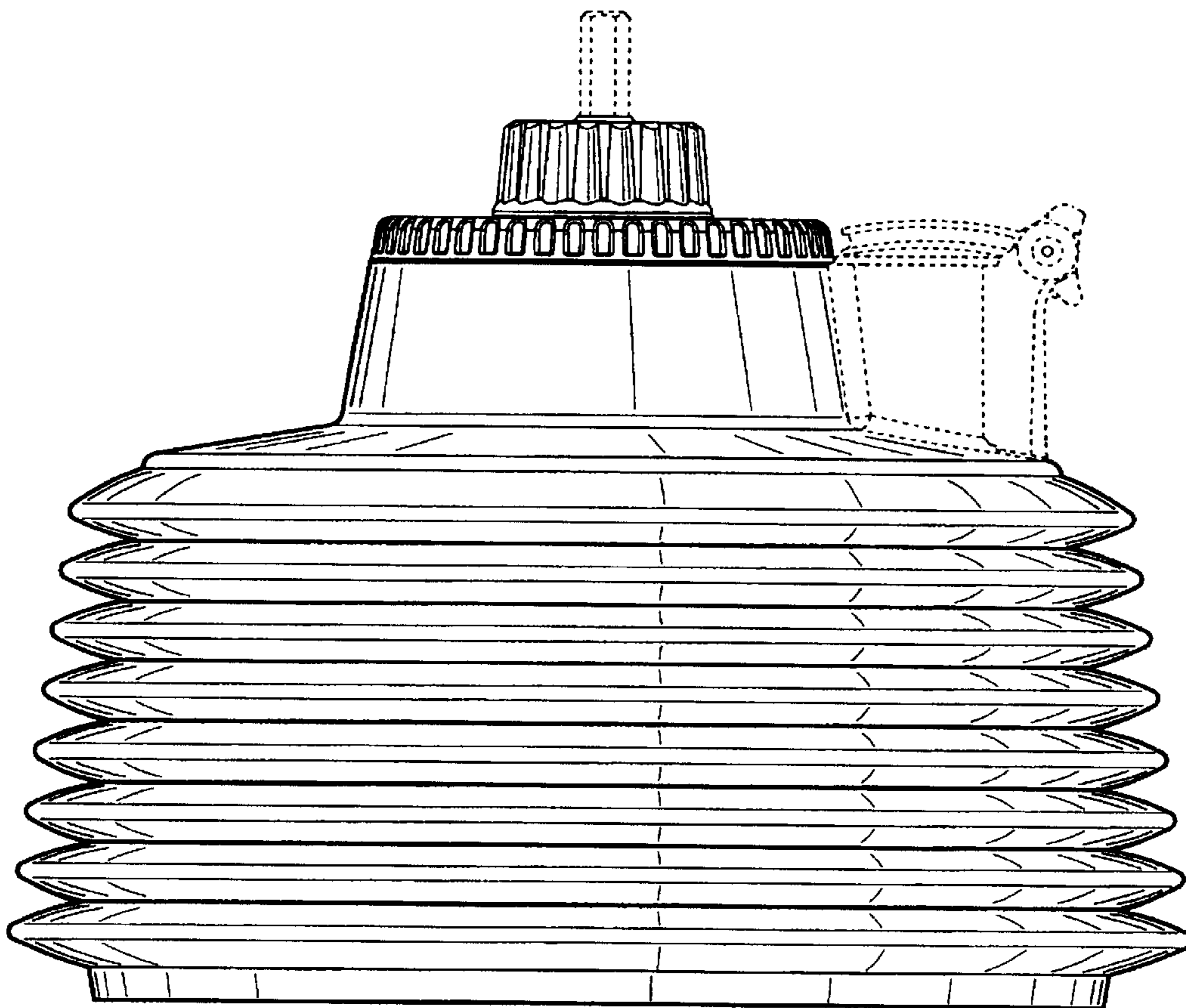


FIG. 4

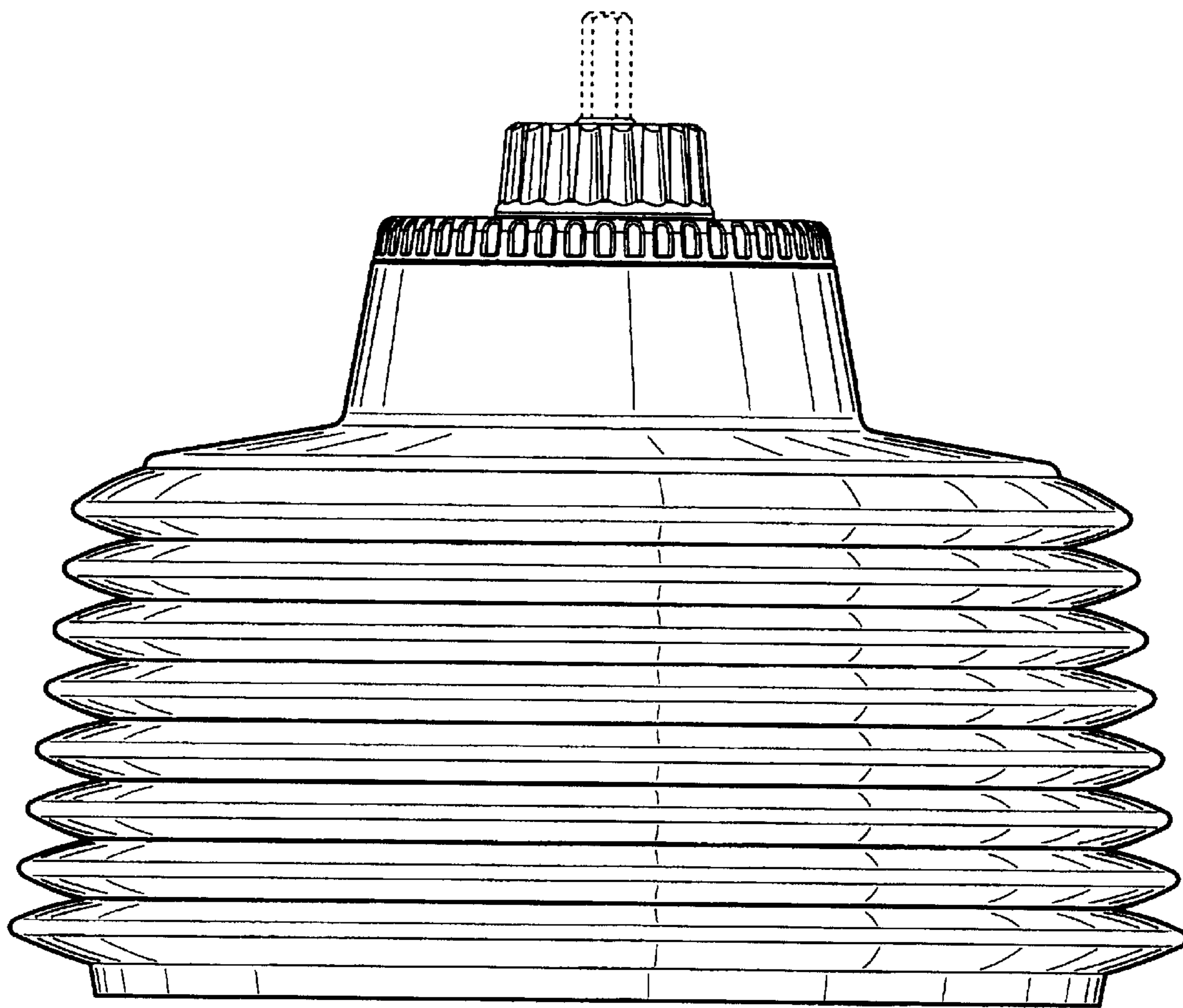


FIG. 5

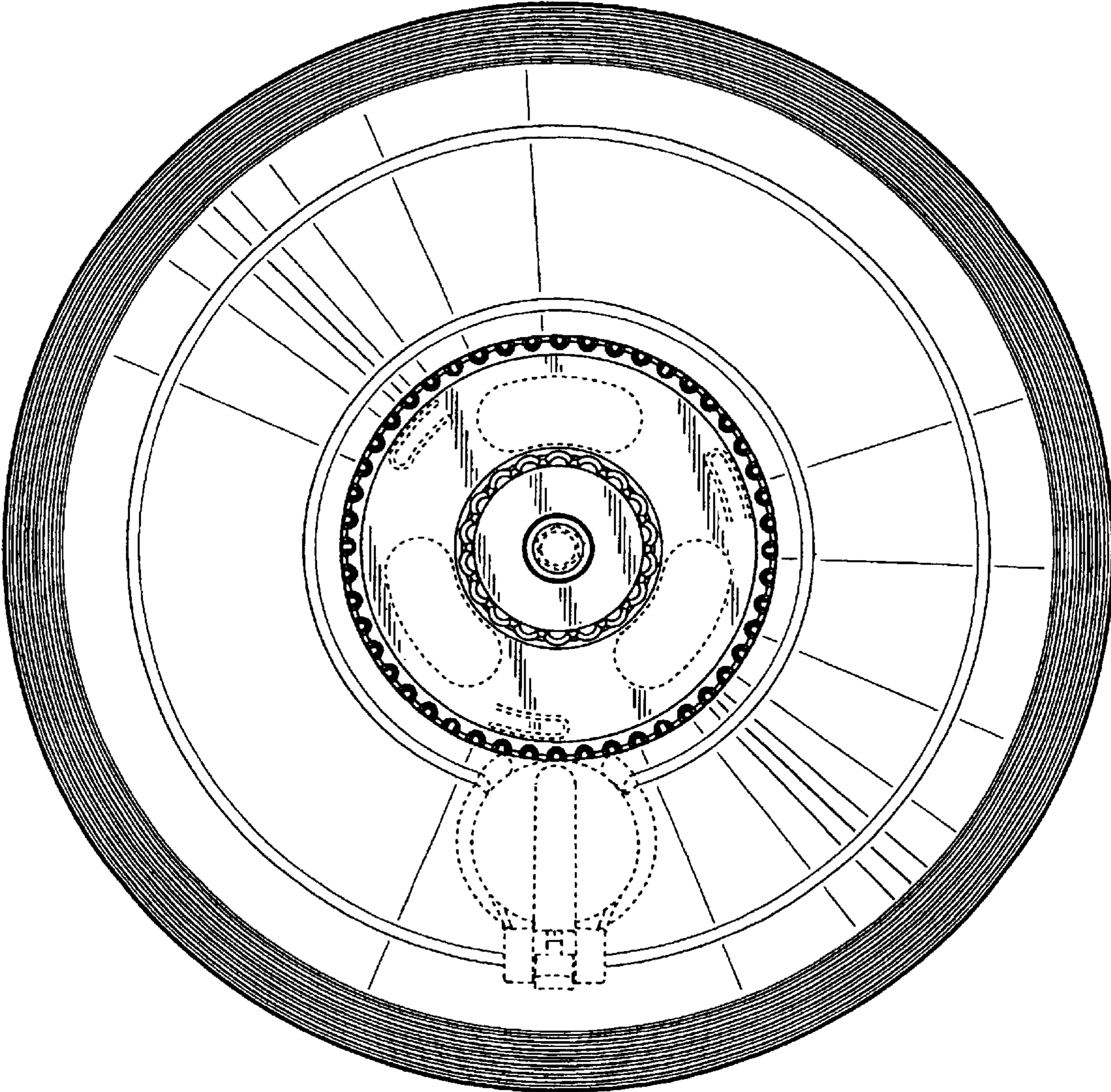


FIG. 6

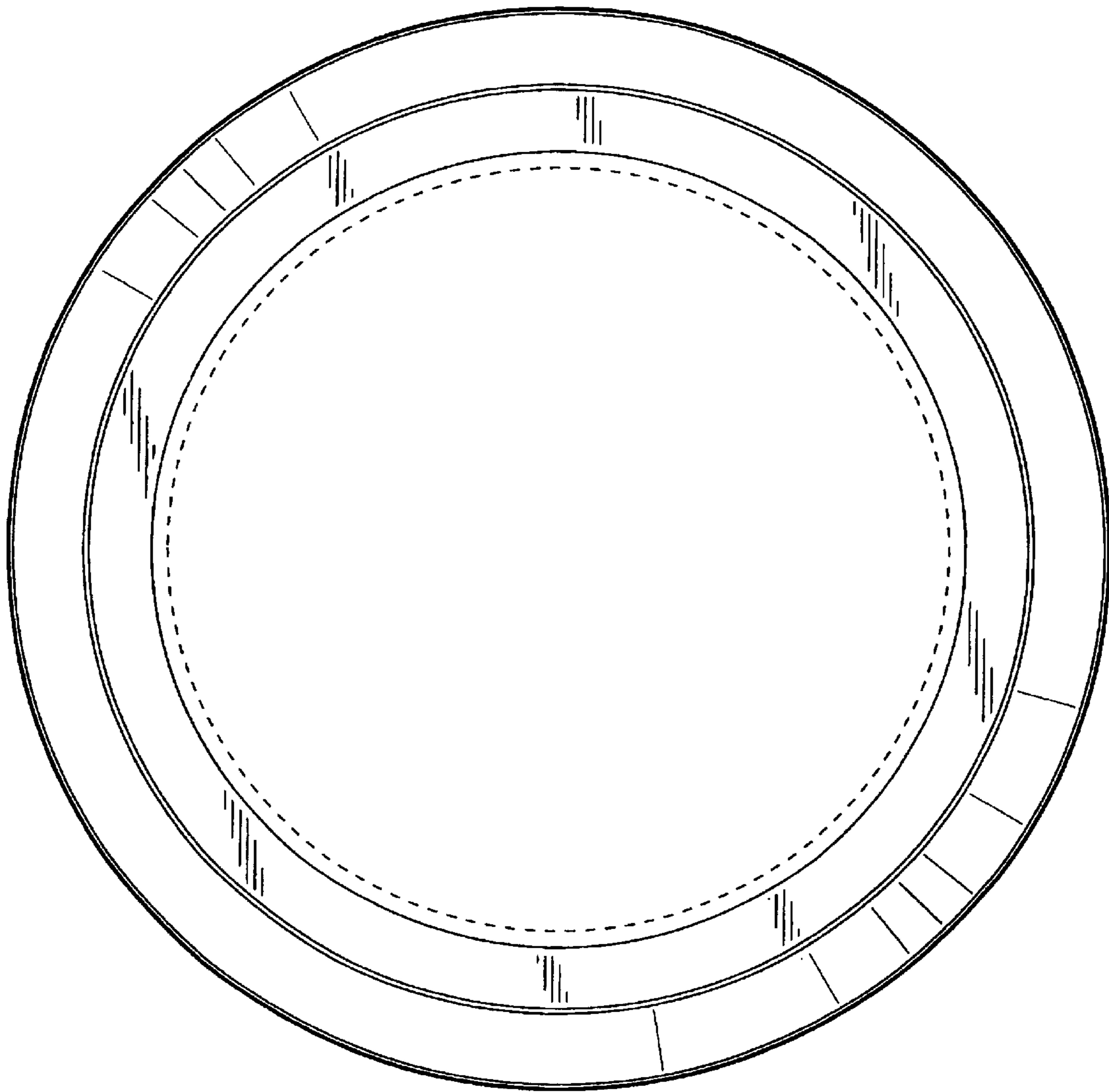


FIG. 7