

US00D542310S

(12) **United States Design Patent** (10) **Patent No.:** **US D542,310 S**  
**Corcoran et al.** (45) **Date of Patent:** **\*\* May 8, 2007**

(54) **HAND OPERATED ROLLER PRESS MACHINE**

(75) Inventors: **Kevin Corcoran**, Mission Viejo, CA (US); **Jared Wilson**, Santa Ana, CA (US); **Erin Highberg**, Laguna Beach, CA (US)

(73) Assignee: **Ellison Educational Equipment, Inc.**, Lake Forest, CA (US)

(\*\*) Term: **14 Years**

(21) Appl. No.: **29/266,983**

(22) Filed: **Oct. 2, 2006**

(51) **LOC (8) Cl.** ..... **15-09**

(52) **U.S. Cl.** ..... **D15/123**

(58) **Field of Classification Search** ..... D15/123; 100/176; 101/120, 127.1, 244, 336; 242/156, 242/419.9; 156/495, 522, 542, 555-556, 156/579, DIG. 2, DIG. 27, DIG. 33, DIG. 39, 156/DIG. 42, DIG. 48; 452/142  
See application file for complete search history.

(56) **References Cited**

**U.S. PATENT DOCUMENTS**

D110,803 S \* 8/1938 Ditty ..... D18/14  
3,264,978 A \* 8/1966 Staley ..... 101/23

4,638,731 A \* 1/1987 Kato ..... 100/282  
5,069,732 A \* 12/1991 Levine ..... 156/579  
6,527,028 B2 \* 3/2003 Miller ..... 156/555  
6,843,296 B2 \* 1/2005 Lemens et al. .... 156/555  
D508,701 S \* 8/2005 Corcoran et al. .... D15/123  
2005/0253324 A1 \* 11/2005 Corcoran et al. .... 271/15  
2005/0268761 A1 \* 12/2005 Corcoran et al. .... 83/13

\* cited by examiner

*Primary Examiner*—Antoine D. Davis

*Assistant Examiner*—Patricia Palasik

(74) *Attorney, Agent, or Firm*—Morland C. Fischer

(57) **CLAIM**

The ornamental design for a hand operated roller press machine, as shown and described.

**DESCRIPTION**

FIG. 1 is a perspective view showing the top, right side and front of a hand operated roller press machine which forms our new design;

FIG. 2 is a front elevational view thereof;

FIG. 3 is a rear elevational view thereof;

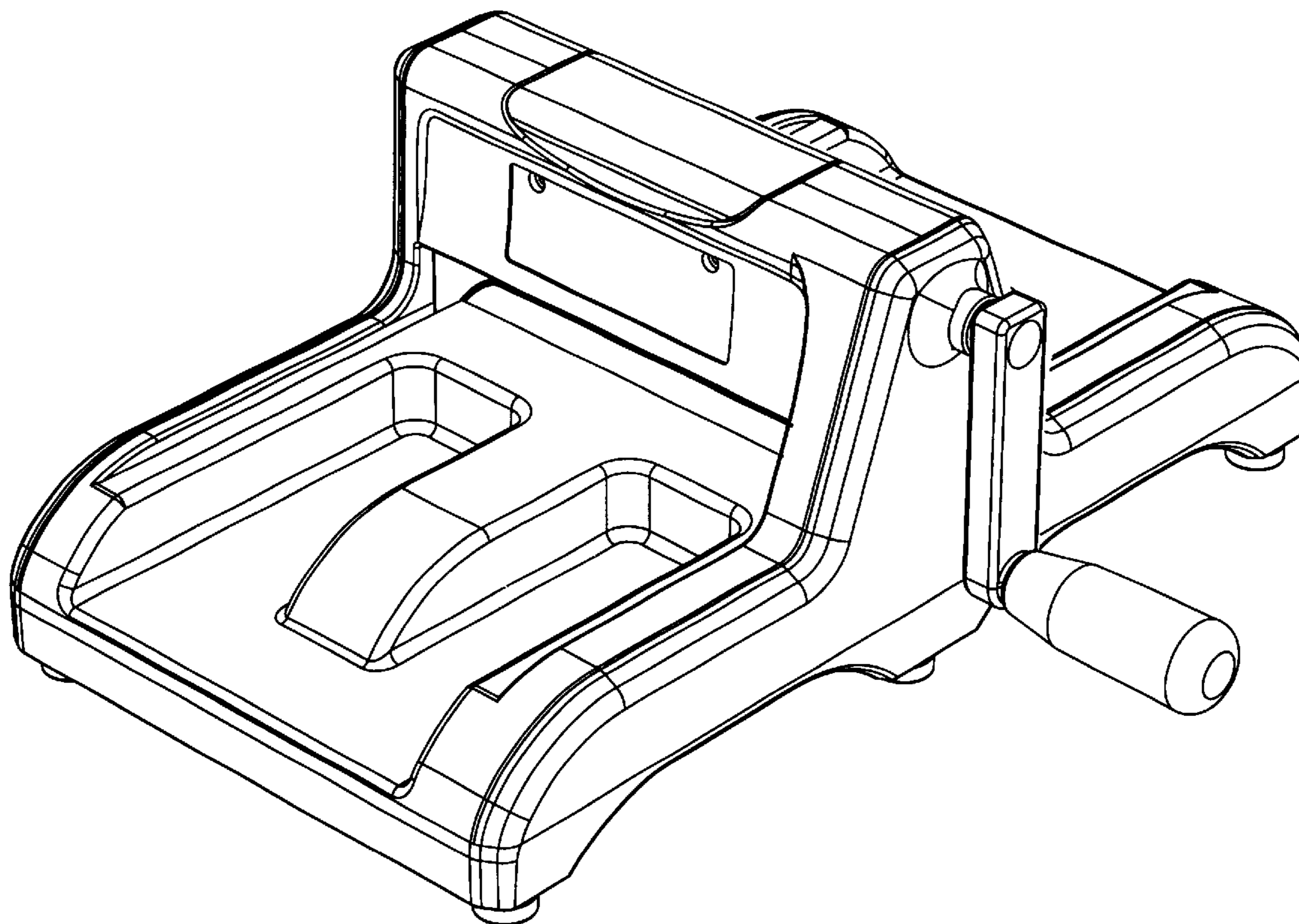
FIG. 4 is a top plan view thereof;

FIG. 5 is a bottom plan view thereof;

FIG. 6 is a left side elevational view thereof; and,

FIG. 7 is a right side elevational view thereof.

**1 Claim, 4 Drawing Sheets**



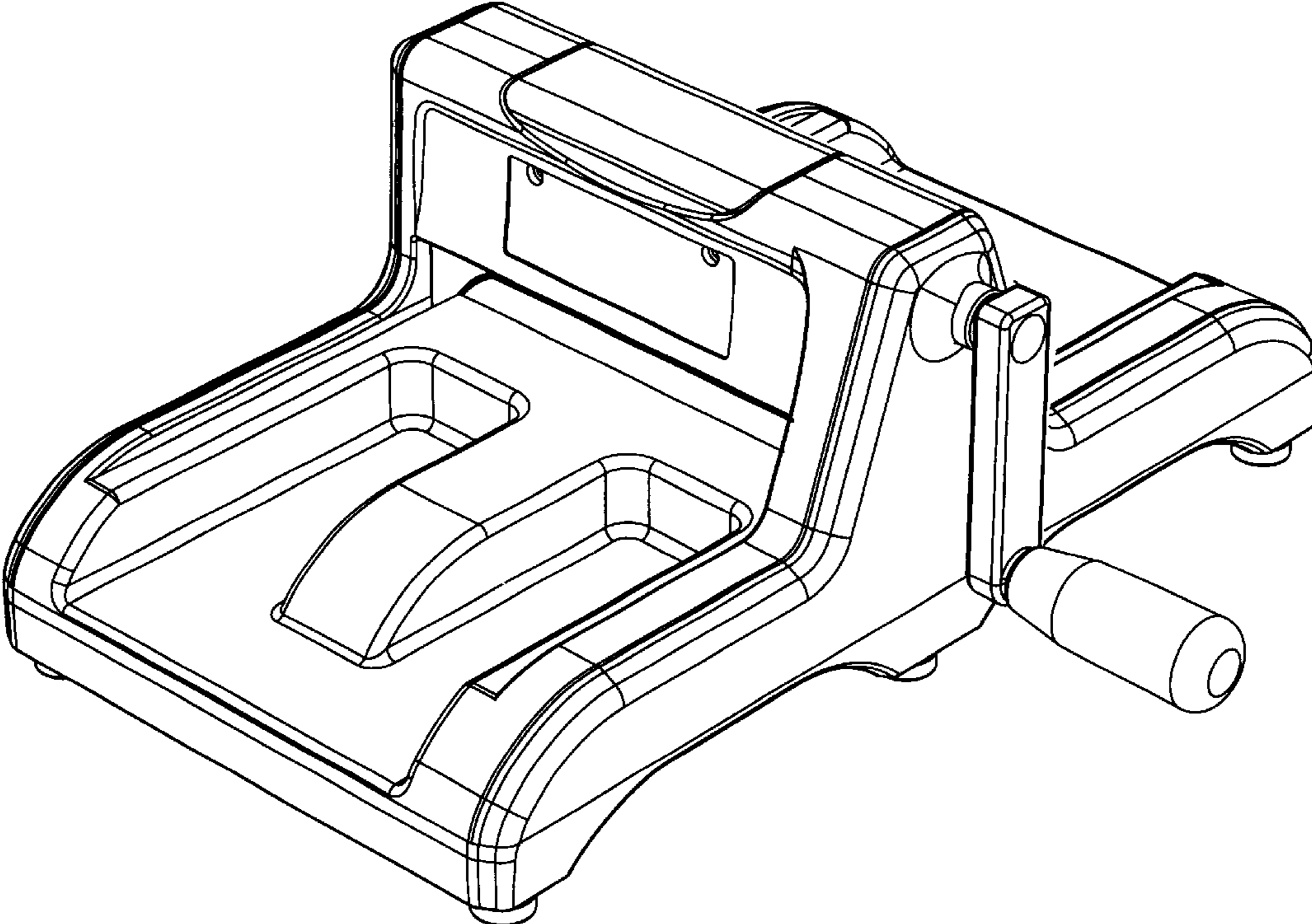


FIG. 1

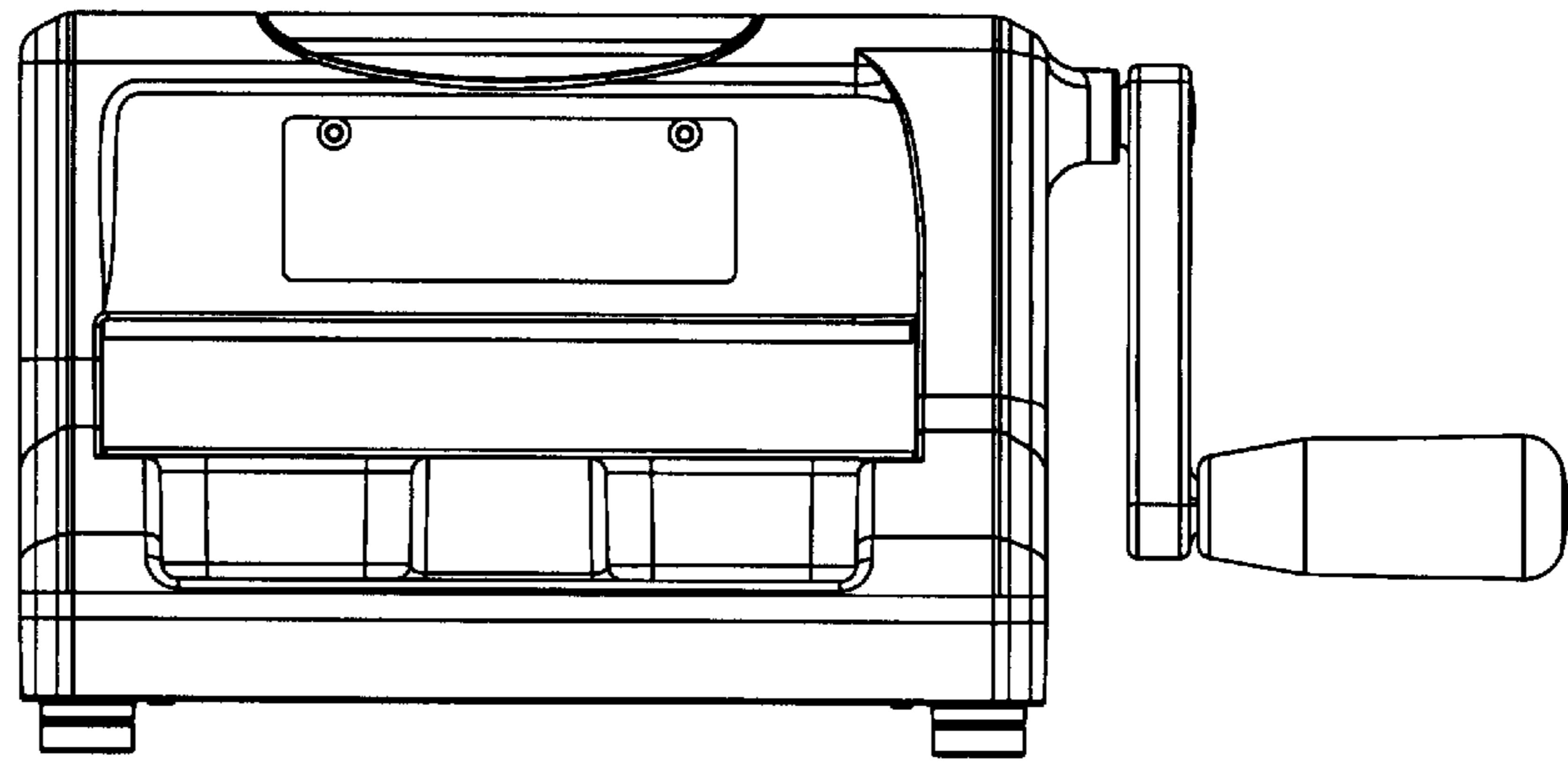


FIG. 2

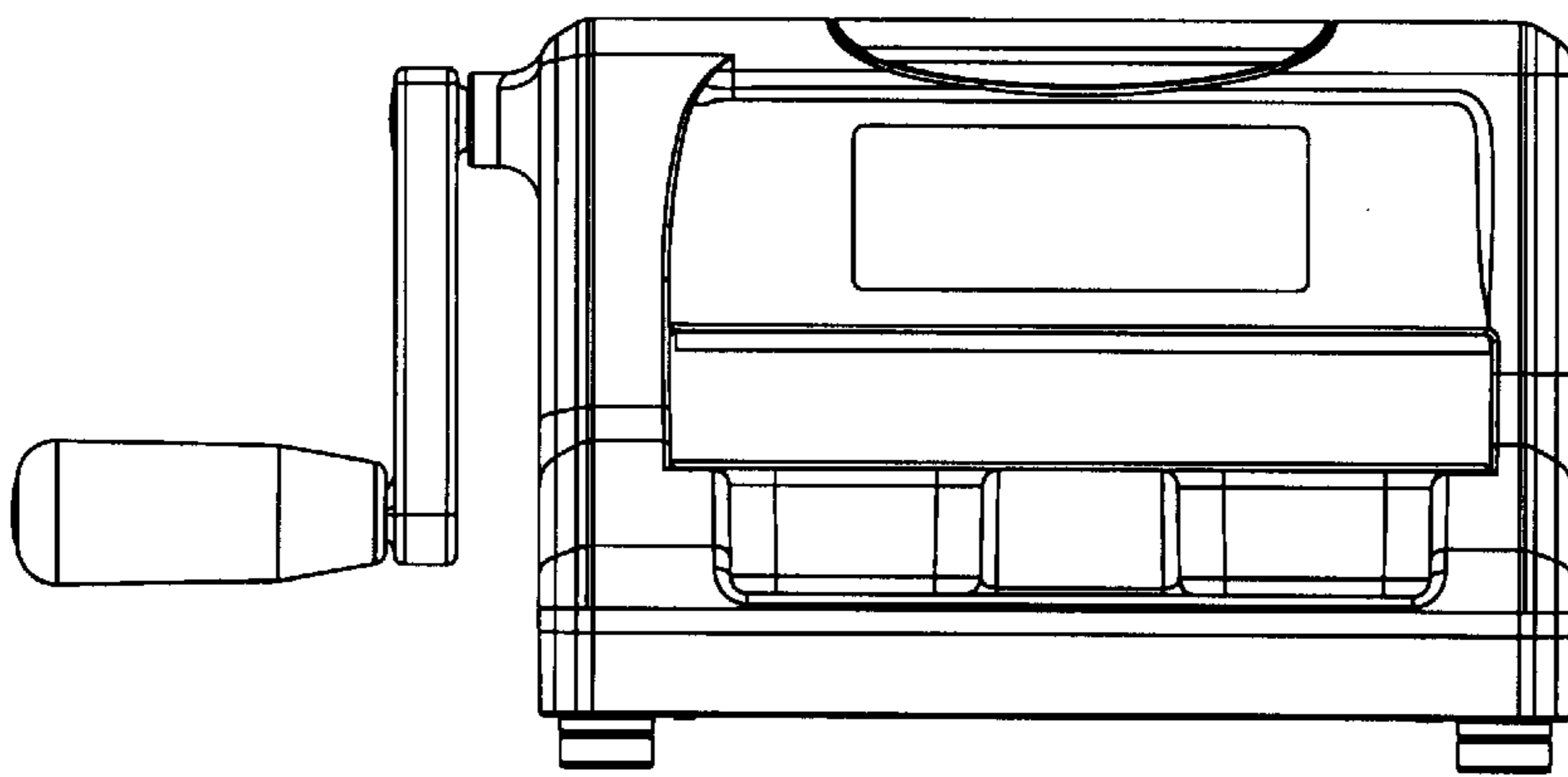


FIG. 3

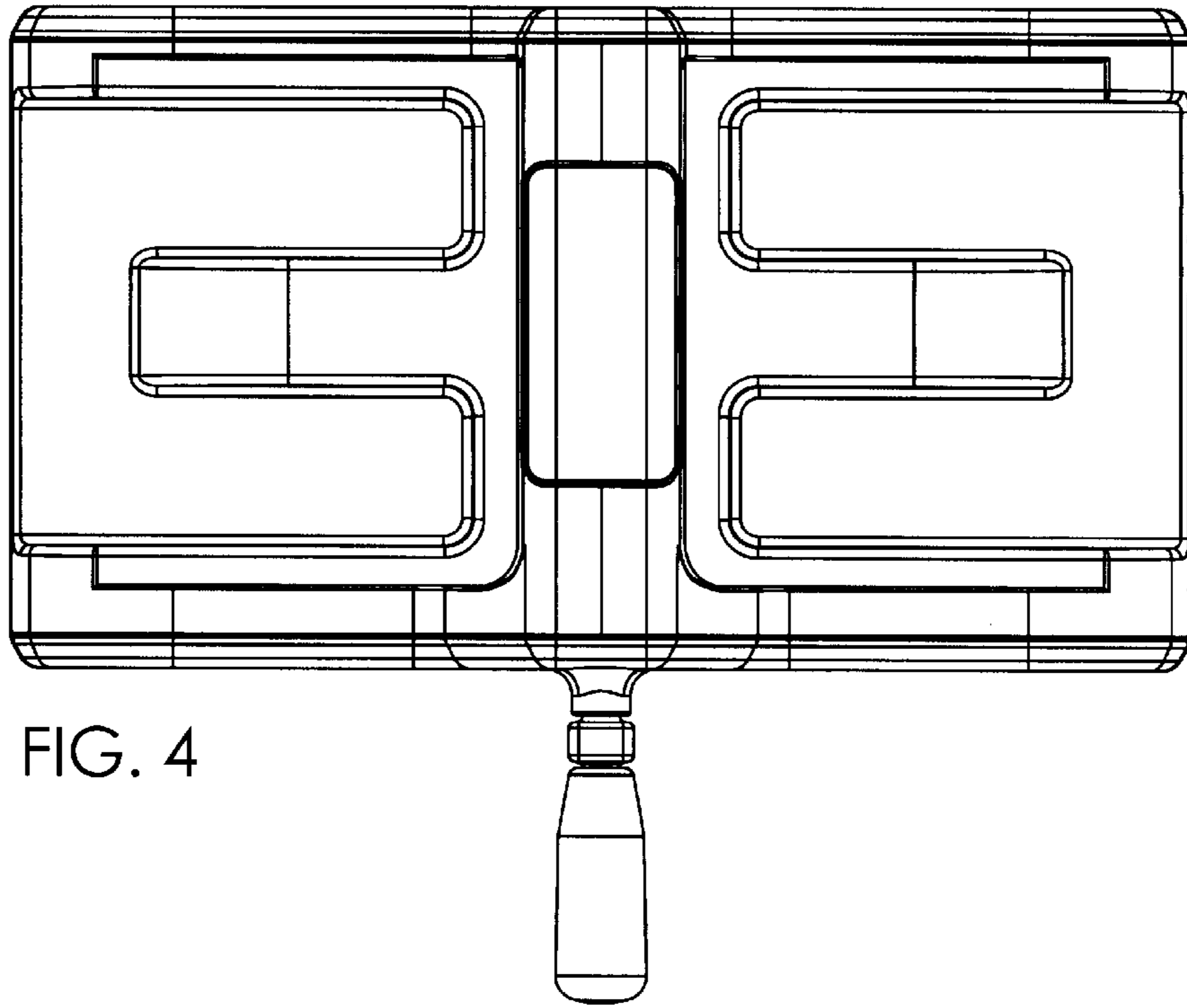


FIG. 4

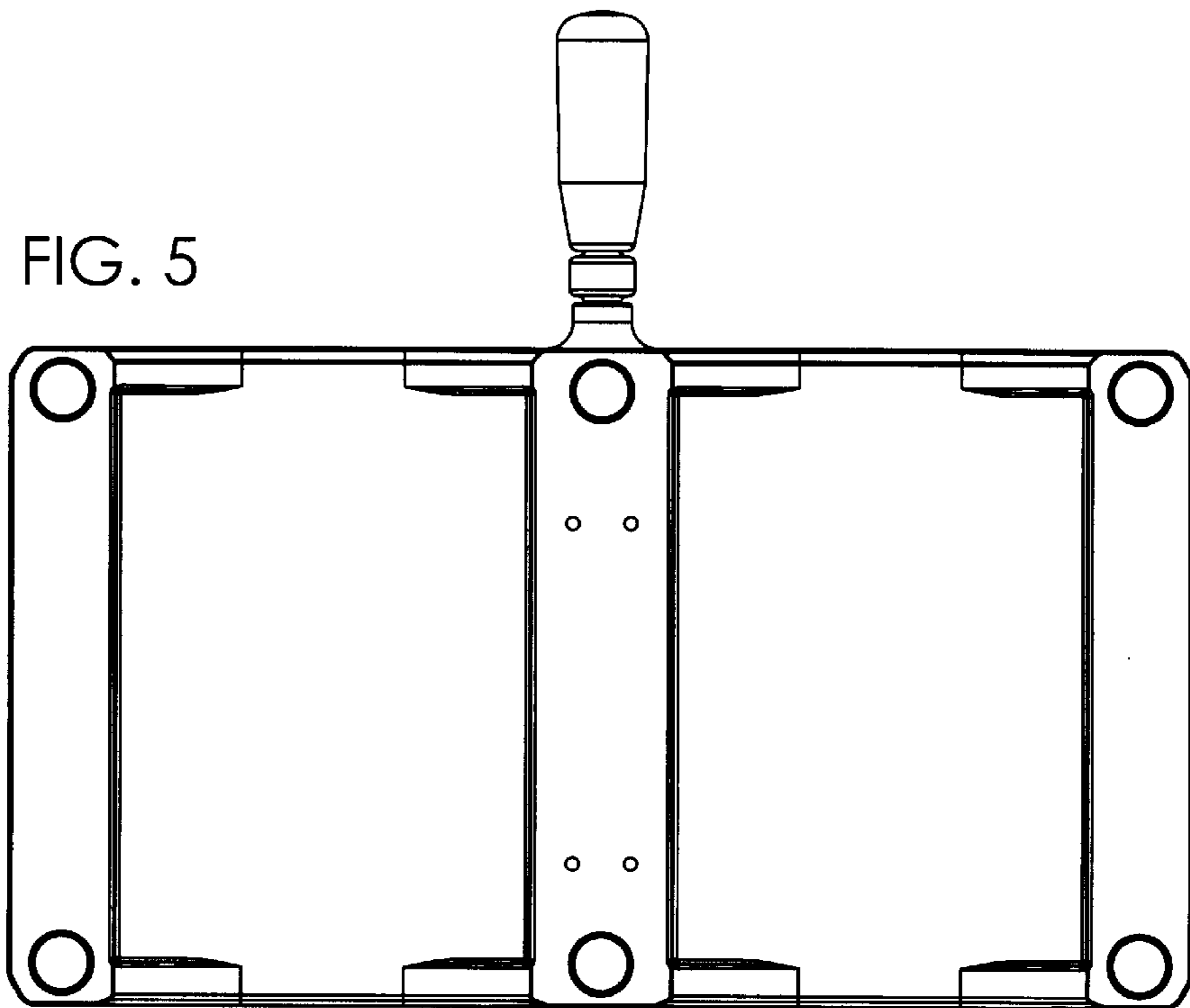


FIG. 5

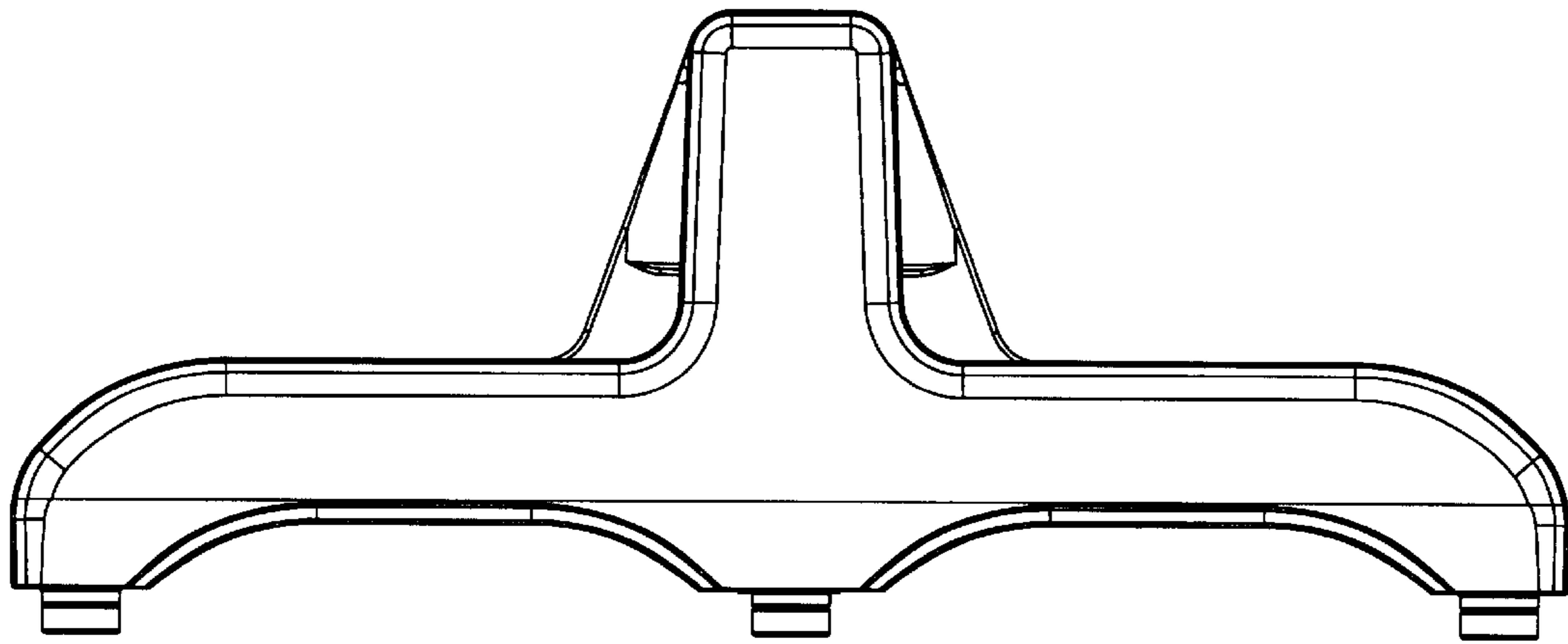


FIG. 6

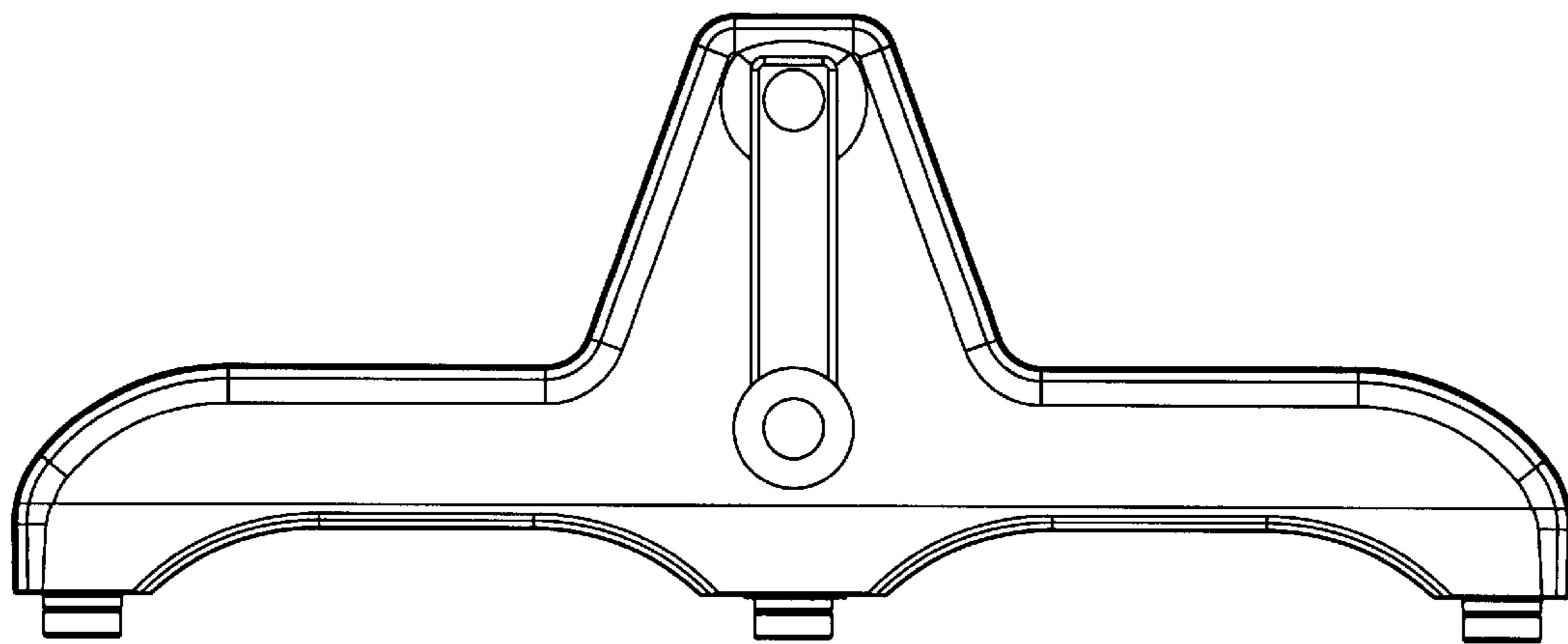


FIG. 7