



US00D542309S

(12) **United States Design Patent**
Davi

(10) **Patent No.:** **US D542,309 S**

(45) **Date of Patent:** **** May 8, 2007**

(54) **FOLDING MACHINE (FOR METAL SHEETS)**

(75) Inventor: **Orazio Maria Davi**, Cesena (IT)

(73) Assignee: **Promau S.r.l.**, Cesena (FC) (IT)

(**) Term: **14 Years**

(21) Appl. No.: **29/241,926**

(22) Filed: **Nov. 3, 2005**

(51) **LOC (8) Cl.** **15-09**

(52) **U.S. Cl.** **D15/122**

(58) **Field of Classification Search** D15/122,
D15/199; 29/243.5, 505, 509, 715; 722/10,
722/319, 320, 323, 365.2, 405.01, 411, 422;
493/422

See application file for complete search history.

(56) **References Cited**

U.S. PATENT DOCUMENTS

2,511,530	A	*	6/1950	Espari	72/315
3,815,393	A	*	6/1974	Daniels	72/320
D274,911	S	*	7/1984	Sato	D15/122
4,510,785	A	*	4/1985	Triouleyre et al.	72/320
4,944,176	A	*	7/1990	Glorieux et al.	72/323
5,345,806	A	*	9/1994	Sartorio et al.	72/422
5,694,803	A	*	12/1997	Ervin et al.	72/385
5,784,915	A	*	7/1998	Allemann et al.	29/243.5
5,787,751	A	*	8/1998	Argiropoulos	72/339

5,802,906	A	*	9/1998	Lillbacka et al.	72/323
6,012,214	A	*	1/2000	Kutschker et al.	29/243.5
6,036,802	A	*	3/2000	Banks et al.	156/197
2006/0179913	A1	*	8/2006	Strasser	72/420

* cited by examiner

Primary Examiner—Antoine D. Davis

Assistant Examiner—Patricia Palasik

(74) *Attorney, Agent, or Firm*—Young & Thompson

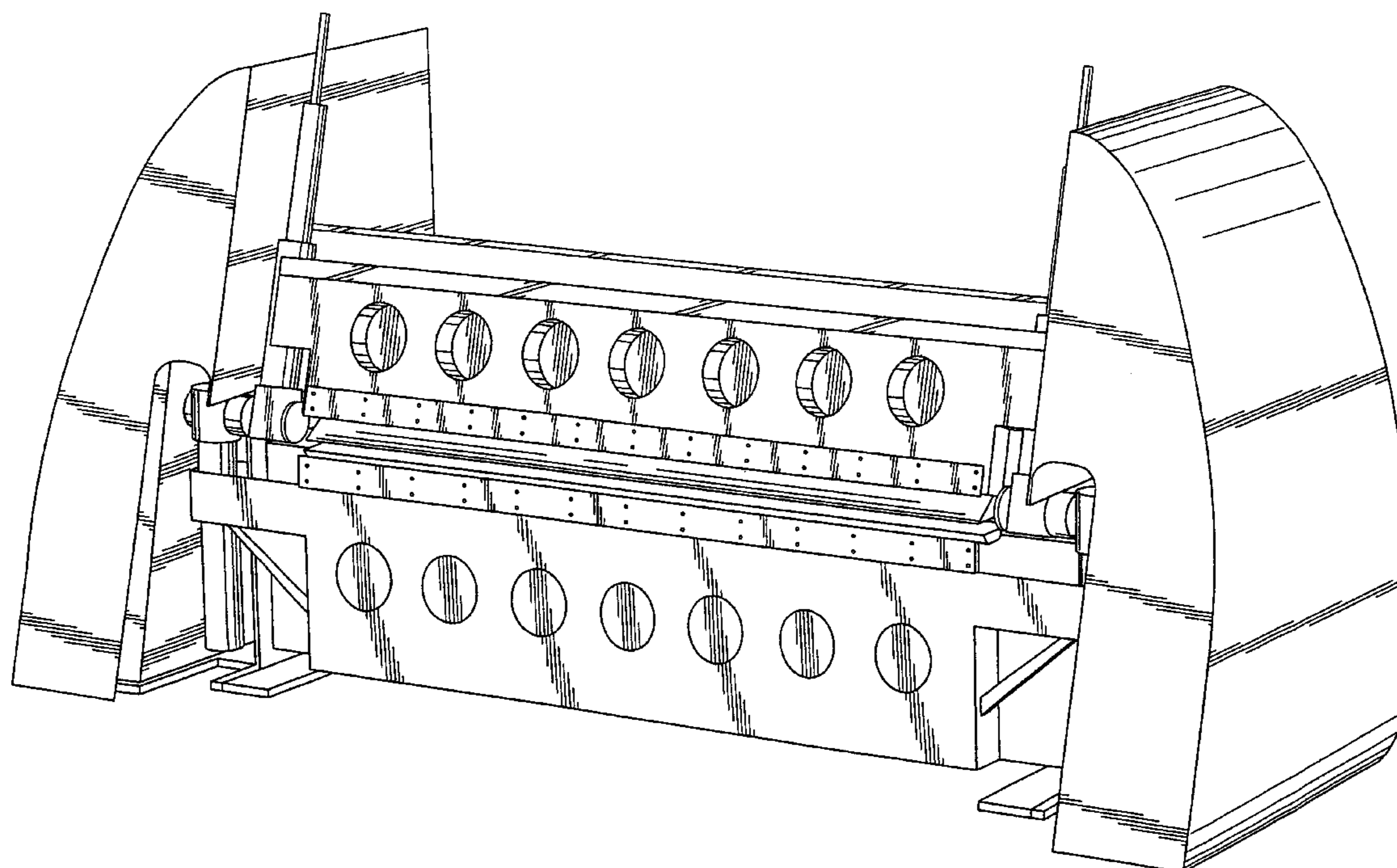
(57) **CLAIM**

The ornamental design for a folding machine (for metal sheets), as shown.

DESCRIPTION

FIG. 1 is a top, front and side perspective view of a folding machine (for metal sheets), showing my new design;
 FIG. 2 is another top, front and side perspective view thereof;
 FIG. 3 is a front elevational view thereof;
 FIG. 4 is a side elevational view thereof from the right of FIG. 1;
 FIG. 5 is a side elevational view thereof from the left of FIG. 1;
 FIG. 6 is a top, rear and side perspective view thereof;
 FIG. 7 is another top, side and rear perspective view thereof;
 FIG. 8 is a rear elevational view thereof; and,
 FIG. 9 is a top plan view thereof.

1 Claim, 8 Drawing Sheets



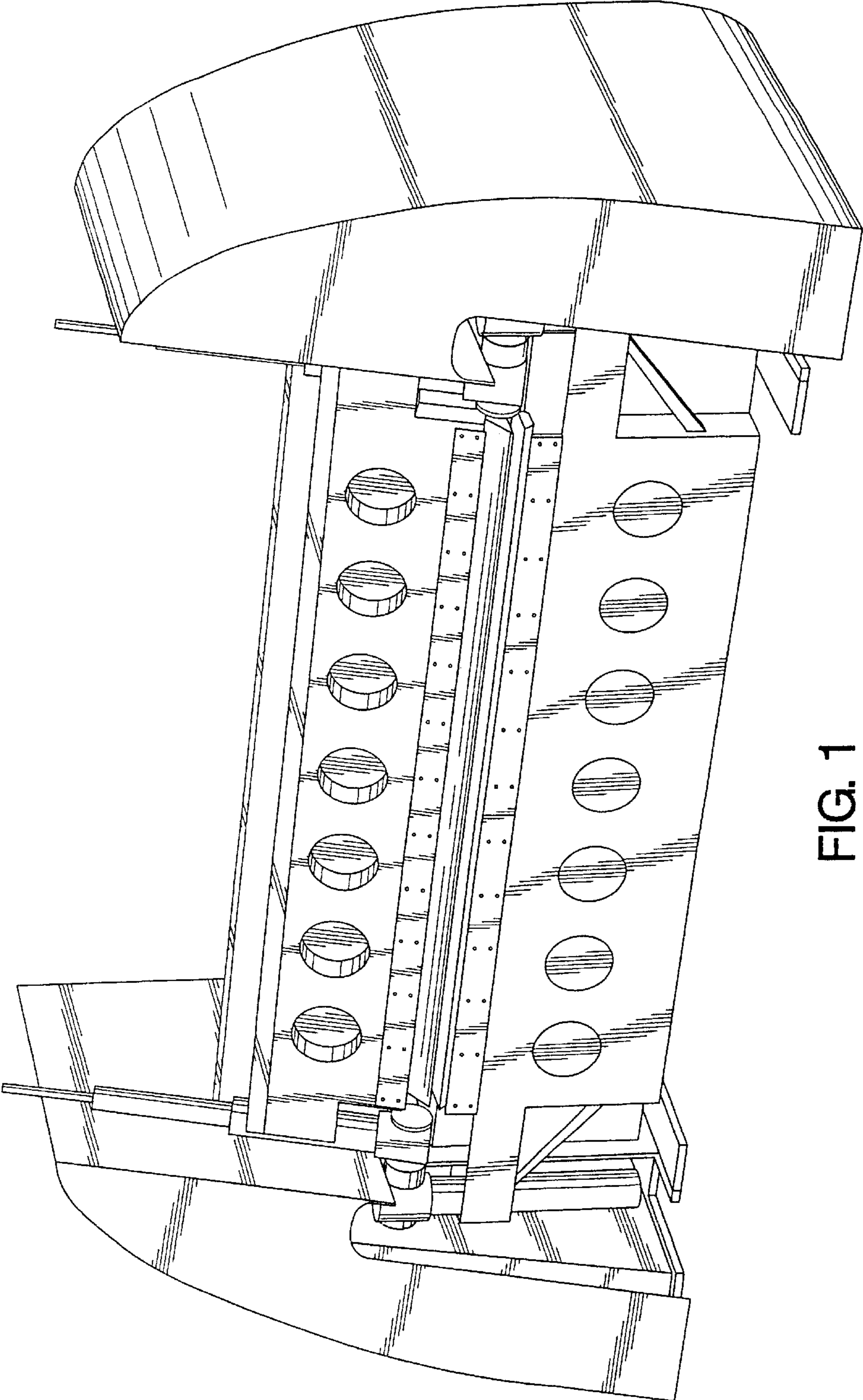


FIG. 1

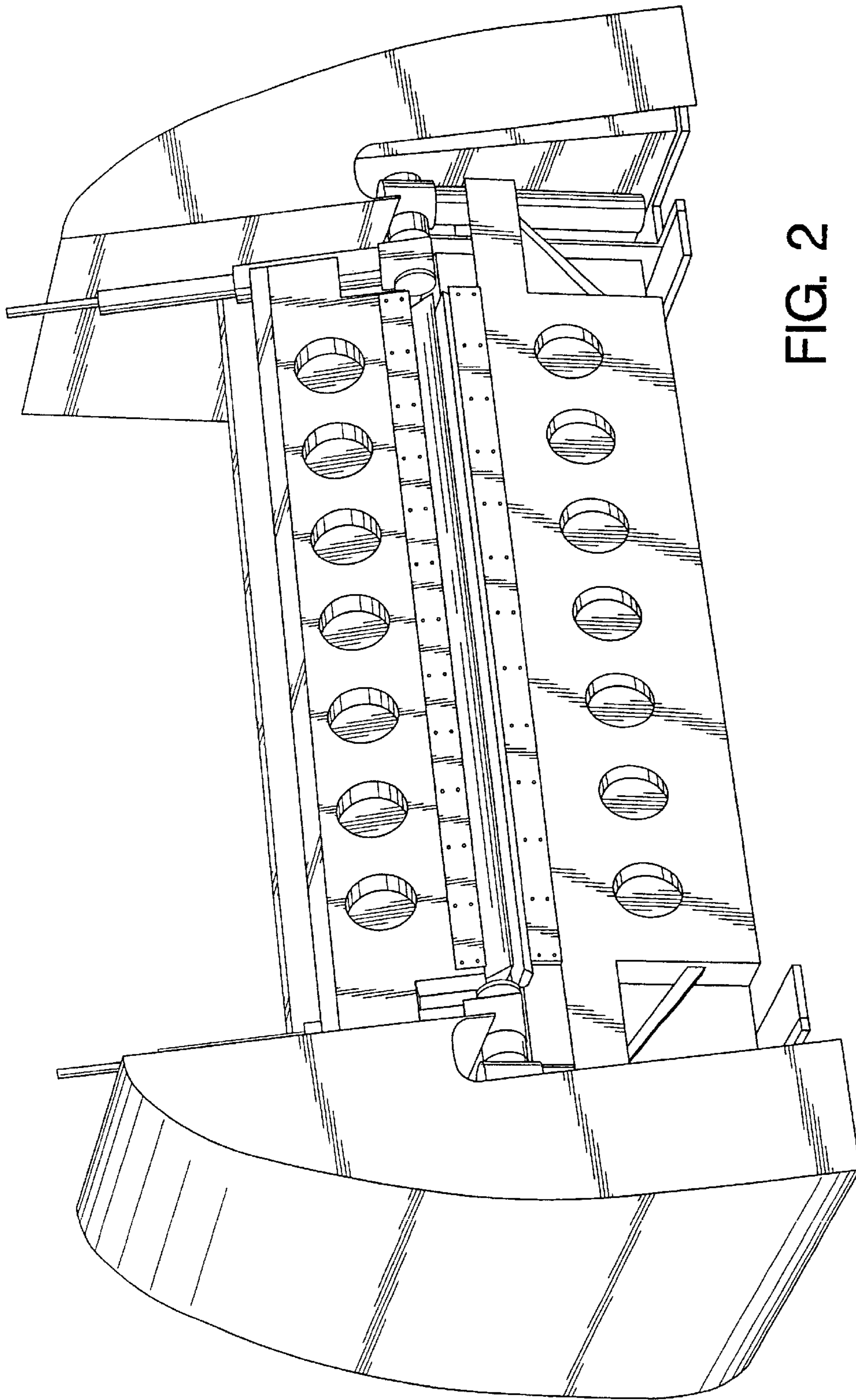


FIG. 2

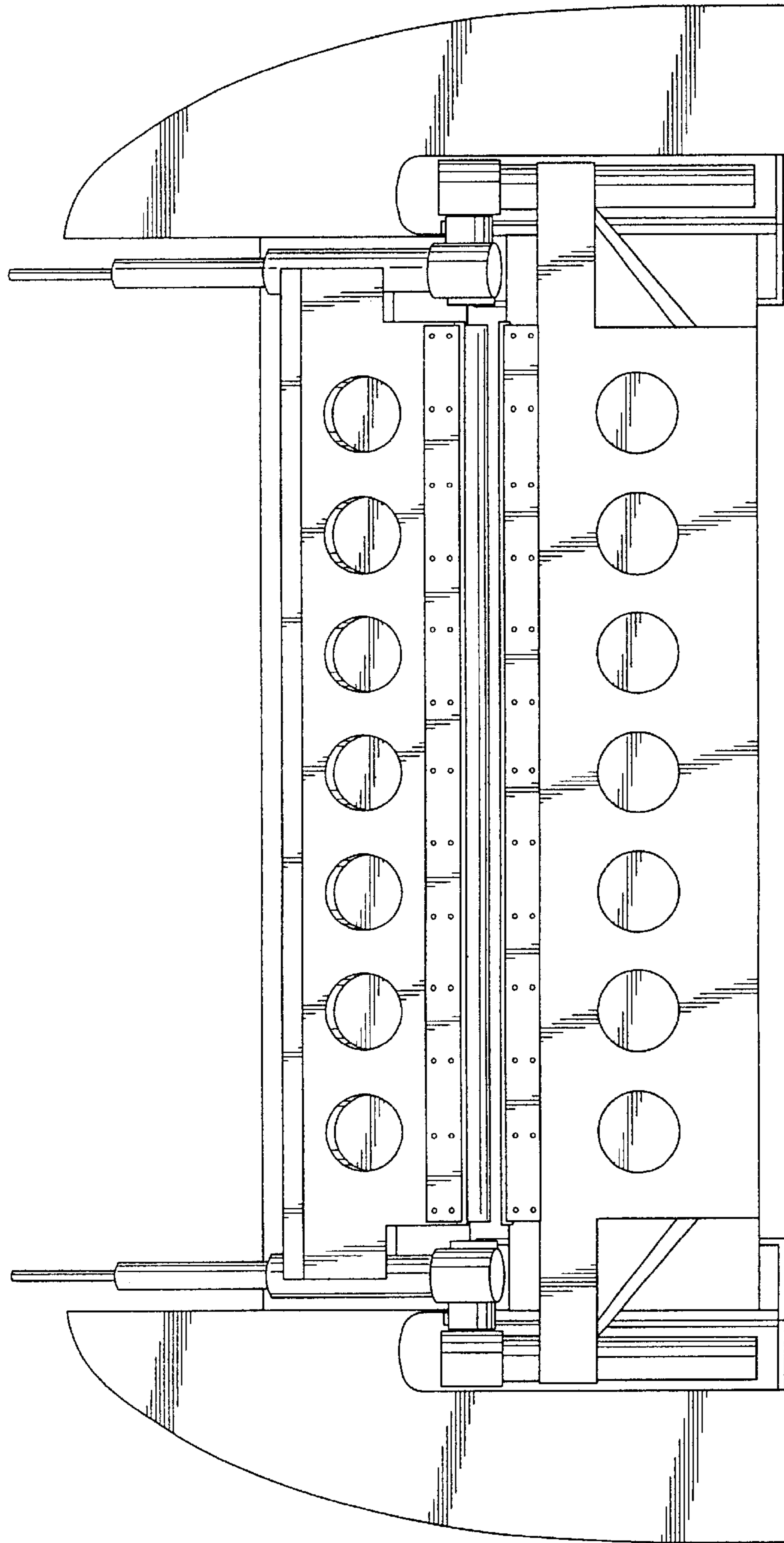


FIG. 3

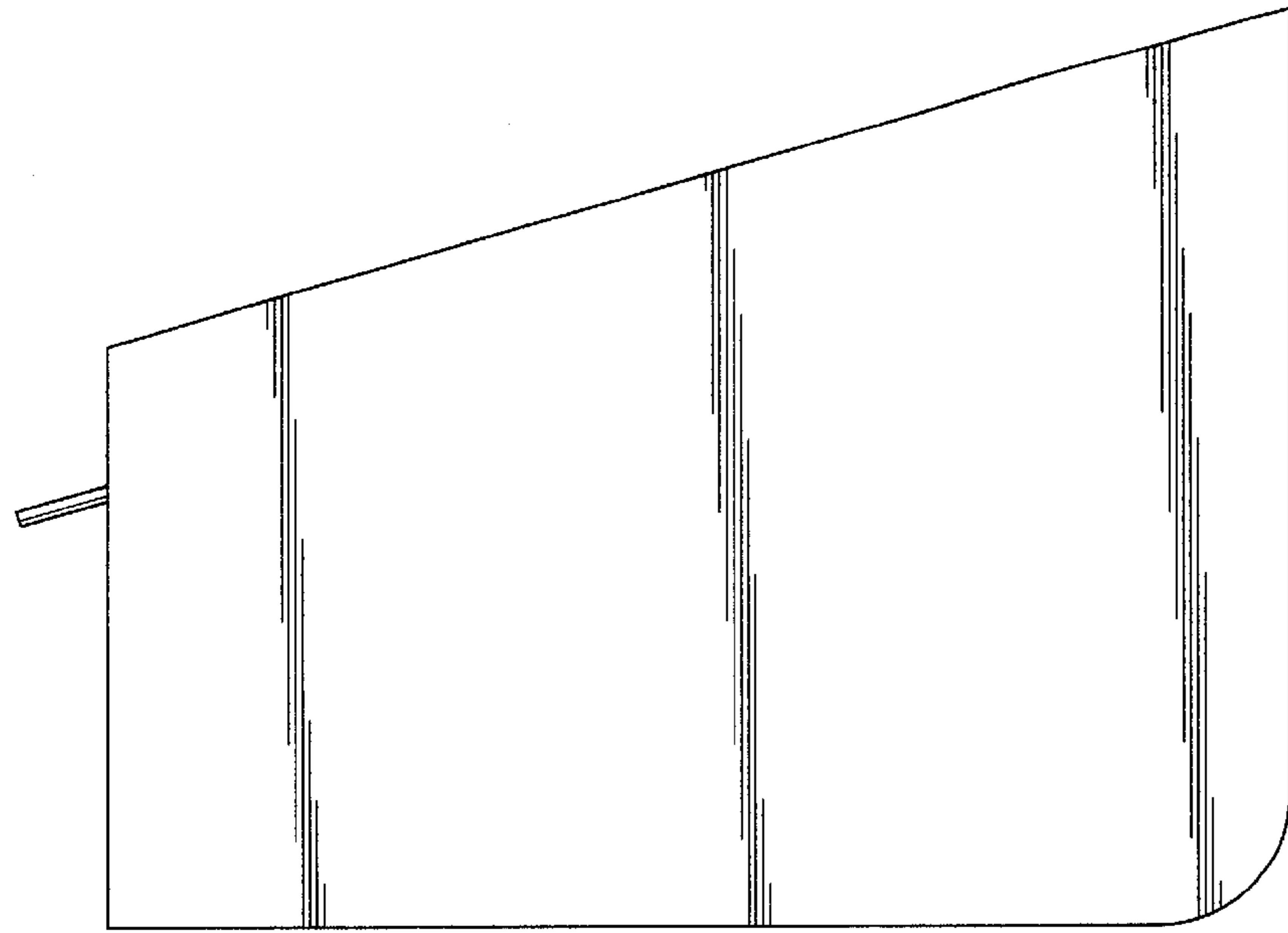


FIG. 5

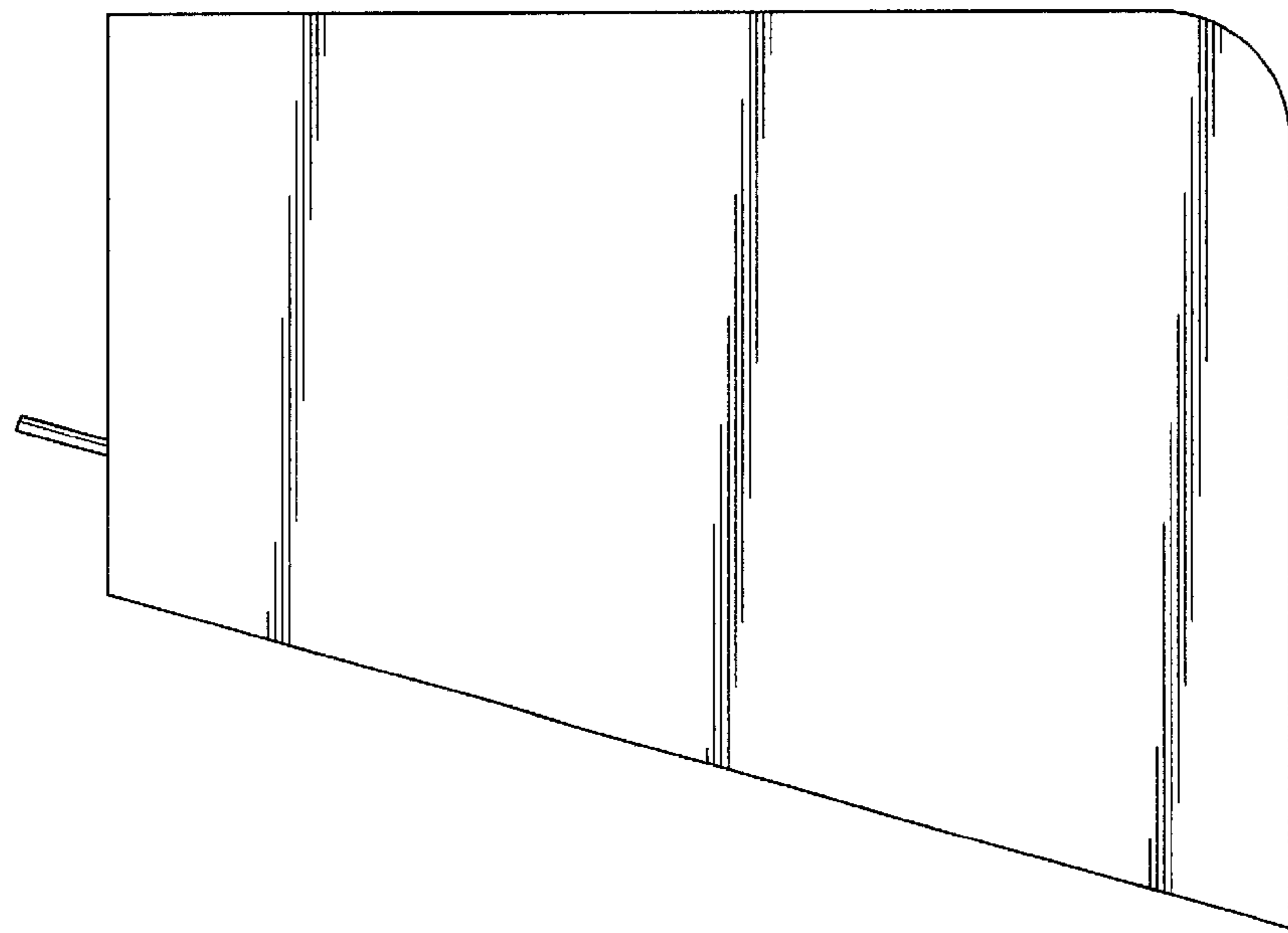


FIG. 4

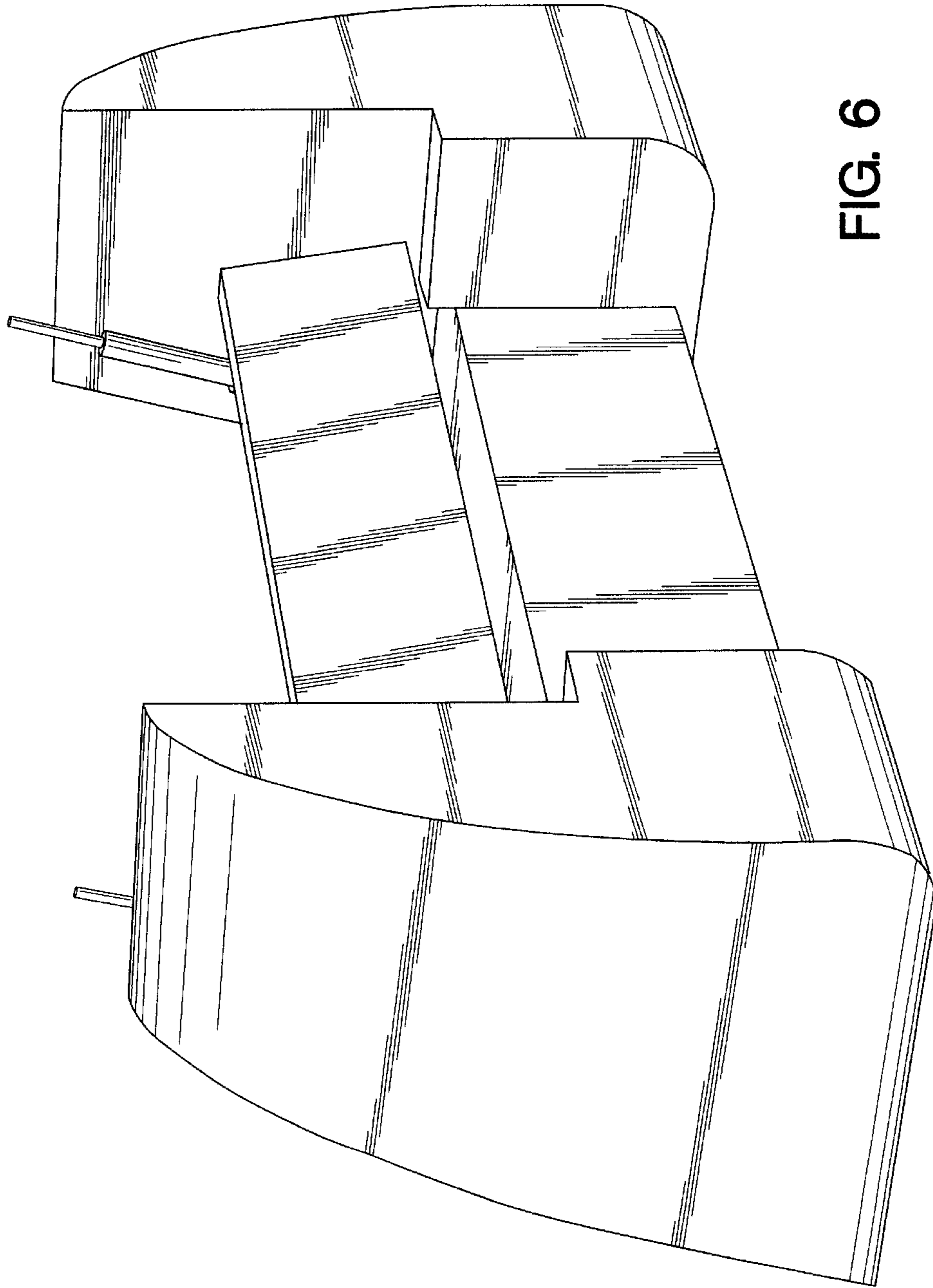


FIG. 6

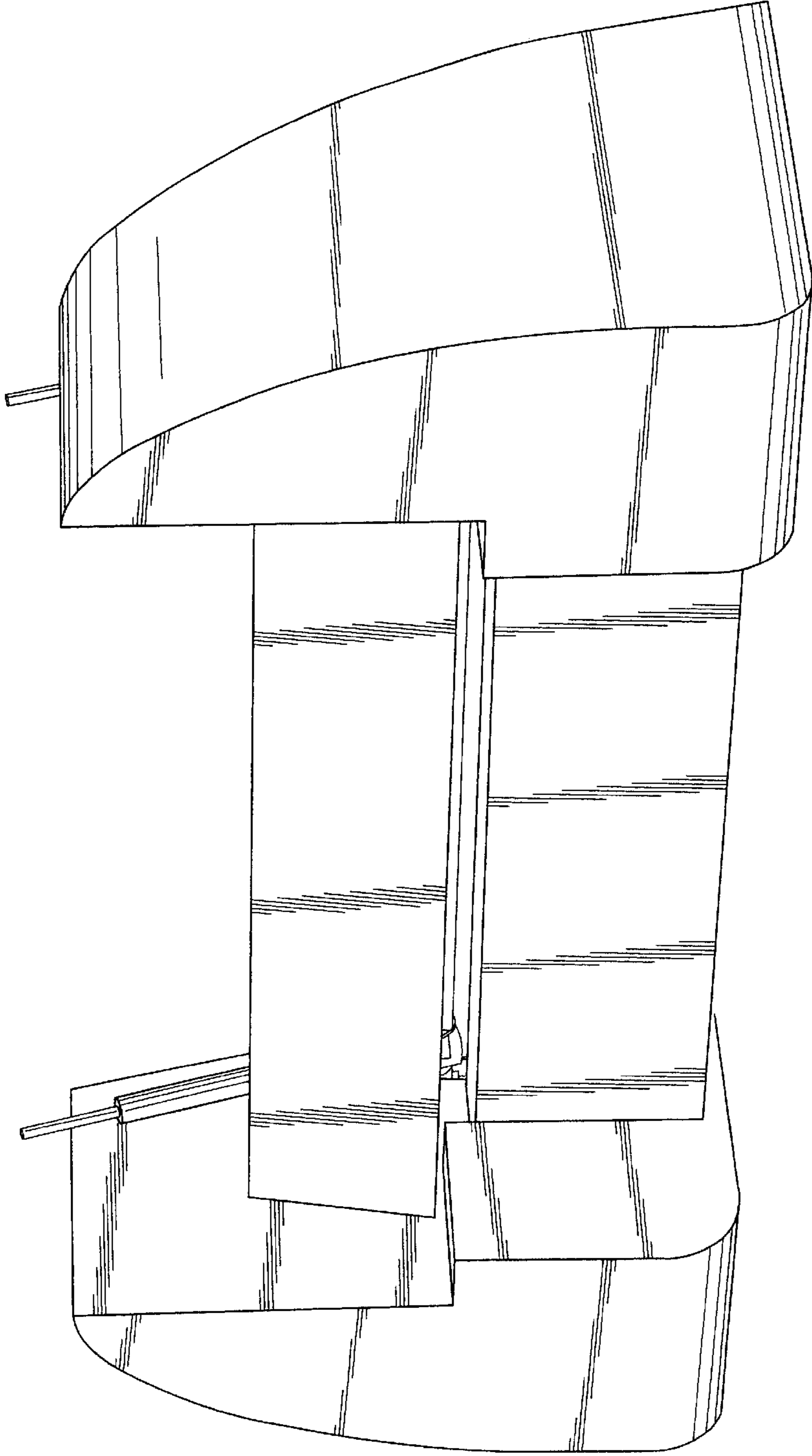


FIG. 7

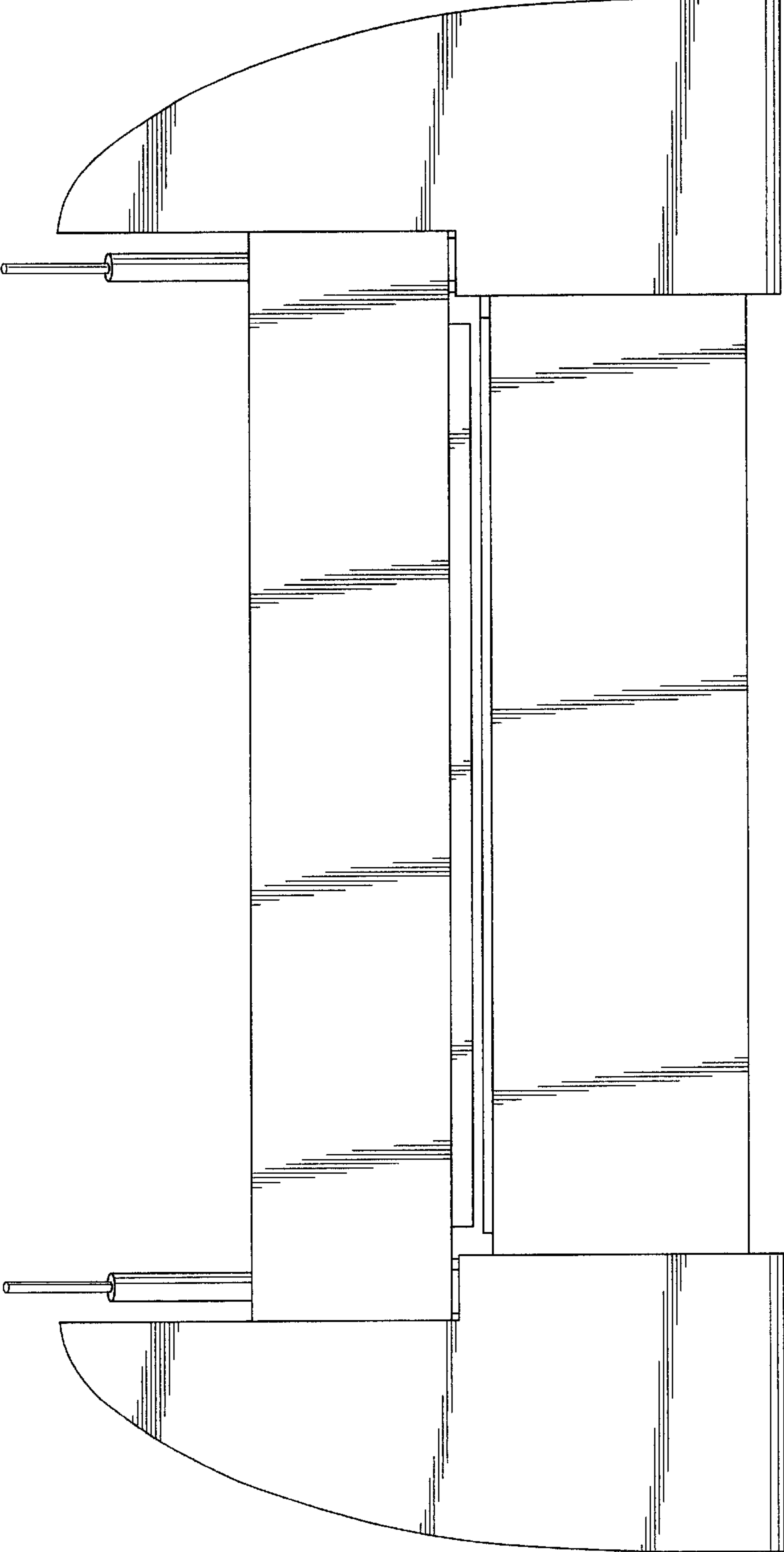


FIG. 8

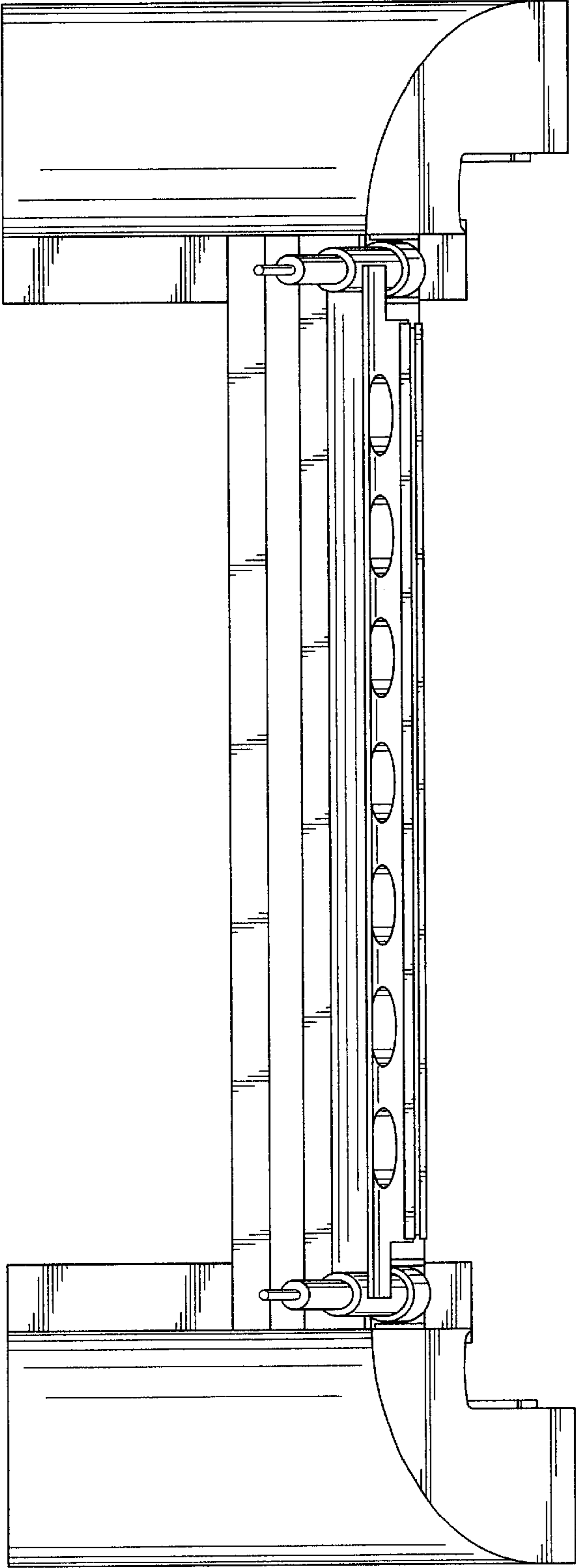


FIG. 9