



US00D542308S

(12) **United States Design Patent**  
**Oka et al.**

(10) **Patent No.:** **US D542,308 S**

(45) **Date of Patent:** **\*\* May 8, 2007**

(54) **TRACTOR**

(75) Inventors: **Yozo Oka**, Osaka (JP); **Toshiyuki Shin**, Osaka (JP); **Nobuaki Takahashi**, Osaka (JP); **Noboru Yamamoto**, Osaka (JP)

(73) Assignee: **Yanmar Co., Ltd.**, Osaka (JP)

(\*\*) Term: **14 Years**

(21) Appl. No.: **29/257,581**

(22) Filed: **Apr. 6, 2006**

(30) **Foreign Application Priority Data**

Nov. 10, 2005 (JP) ..... 2005-033193

(51) **LOC (8) Cl.** ..... **12-09**

(52) **U.S. Cl.** ..... **D15/23**

(58) **Field of Classification Search** ..... D15/10,  
D15/14, 15, 22-26, 33; 180/89.1, 89.12,  
180/900, 69.2; 56/12.7, 15.8, 16.7, 13.3,  
56/13.4, 10.1, 202, 255, 320.1, 320.2, 254,  
56/274, 294

See application file for complete search history.

(56) **References Cited**

**U.S. PATENT DOCUMENTS**

D261,141 S \* 10/1981 Takahashi et al. .... D15/23

D282,849 S \* 3/1986 Funabashi ..... D15/23  
D297,239 S \* 8/1988 Funabashi et al. .... D15/23  
D301,039 S \* 5/1989 Funabashi et al. .... D15/23  
D306,301 S \* 2/1990 Funabashi et al. .... D15/23  
D378,755 S \* 4/1997 Kato et al. .... D15/23  
D438,546 S \* 3/2001 Katoh et al. .... D15/23  
D489,381 S \* 5/2004 Mistry et al. .... D15/23  
D501,487 S \* 2/2005 Katoh et al. .... D15/23  
D513,268 S \* 12/2005 Wang et al. .... D15/23

\* cited by examiner

*Primary Examiner*—Stella Reid

*Assistant Examiner*—Mark Goodwin

(74) *Attorney, Agent, or Firm*—Jordan and Hamburg LLP

(57) **CLAIM**

The ornamental design for a tractor, as shown.

**DESCRIPTION**

FIG. 1 is a front view of the tractor;  
FIG. 2 is a back view of the tractor;  
FIG. 3 is a left side view of the tractor;  
FIG. 4 is a right side view of the tractor;  
FIG. 5 is a plan view of the tractor;  
FIG. 6 is a bottom view of the tractor; and,  
FIG. 7 is a perspective view of the tractor.

**1 Claim, 4 Drawing Sheets**

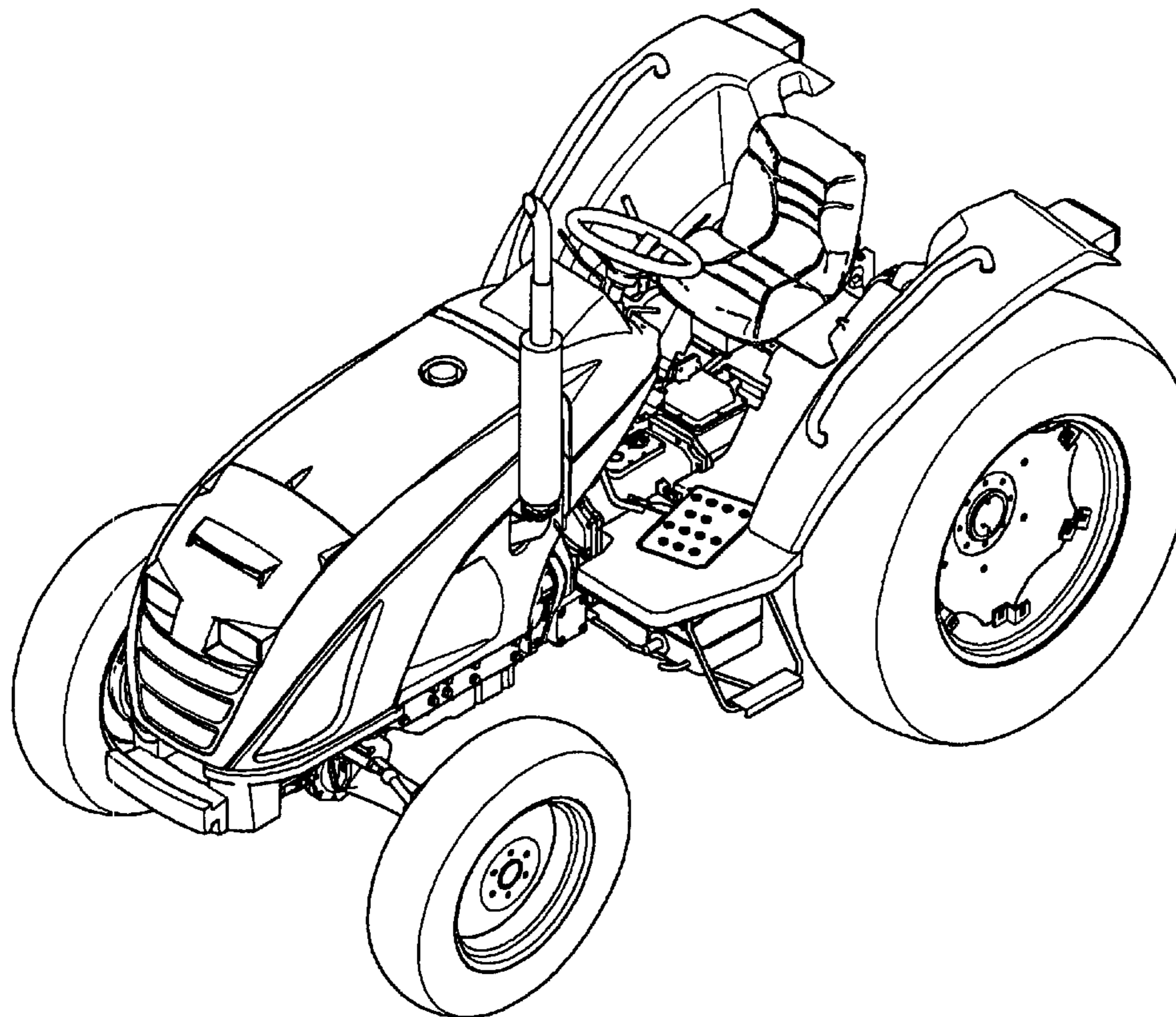


Fig. 1

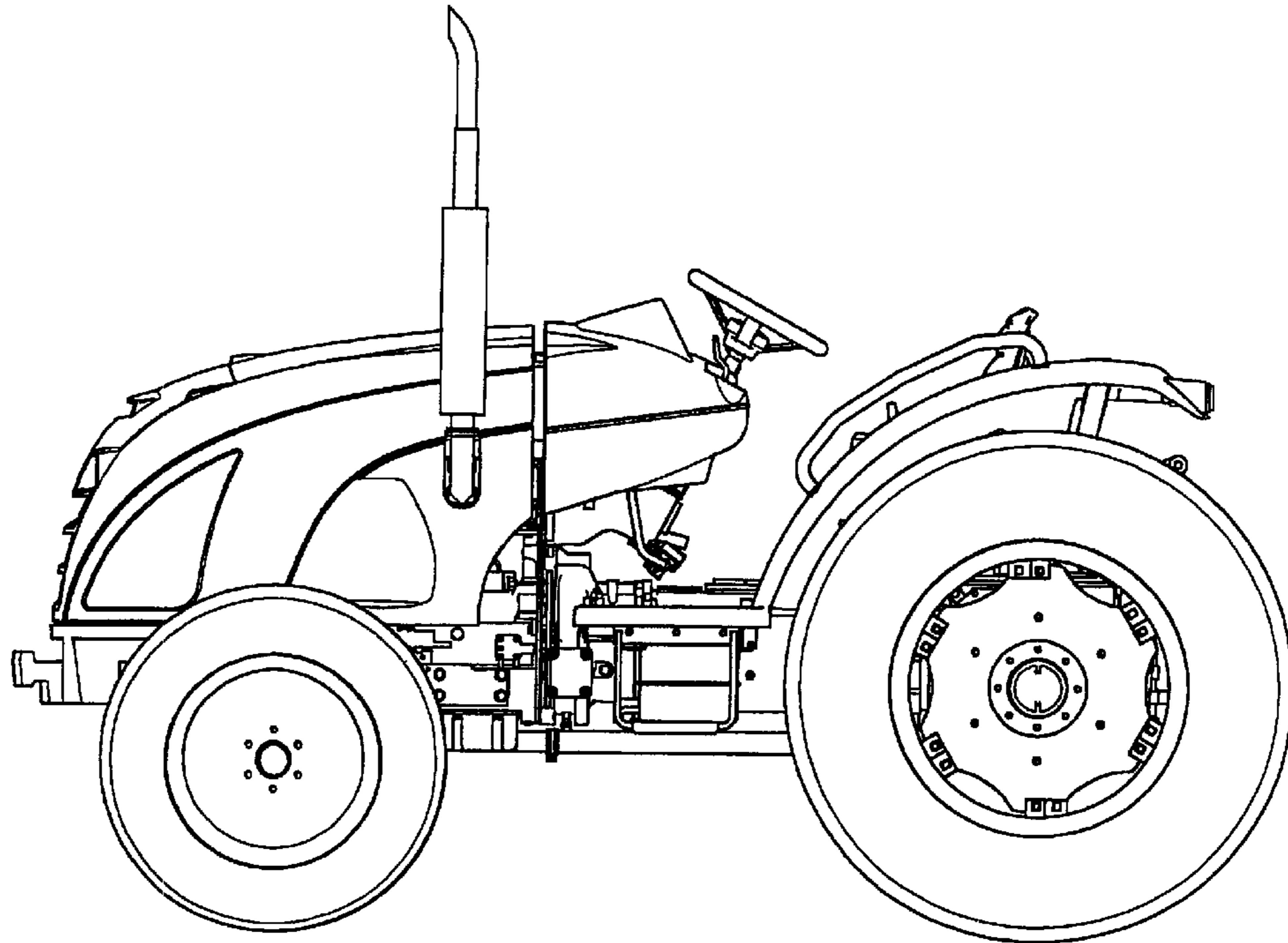


Fig. 2

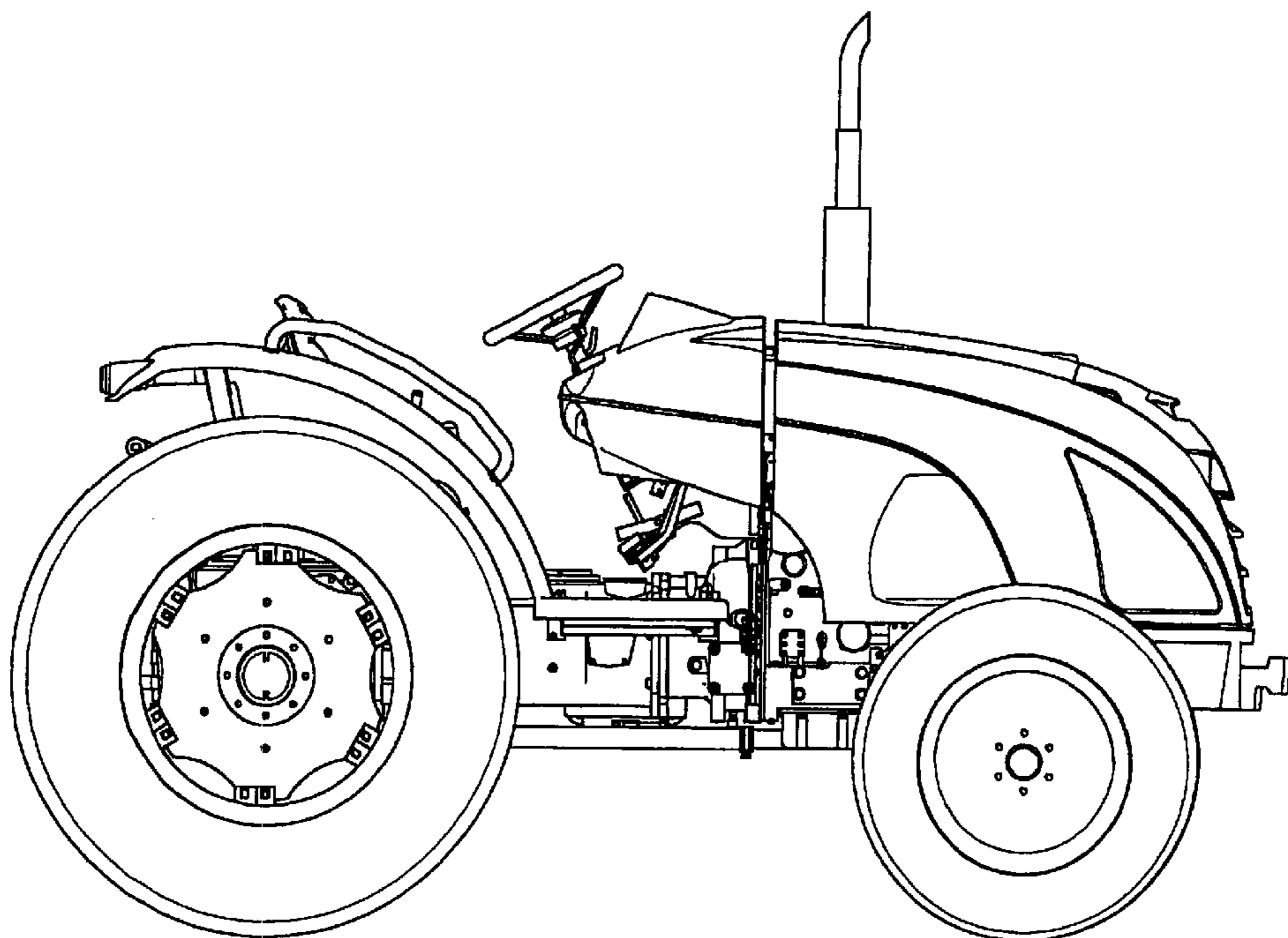


Fig. 3

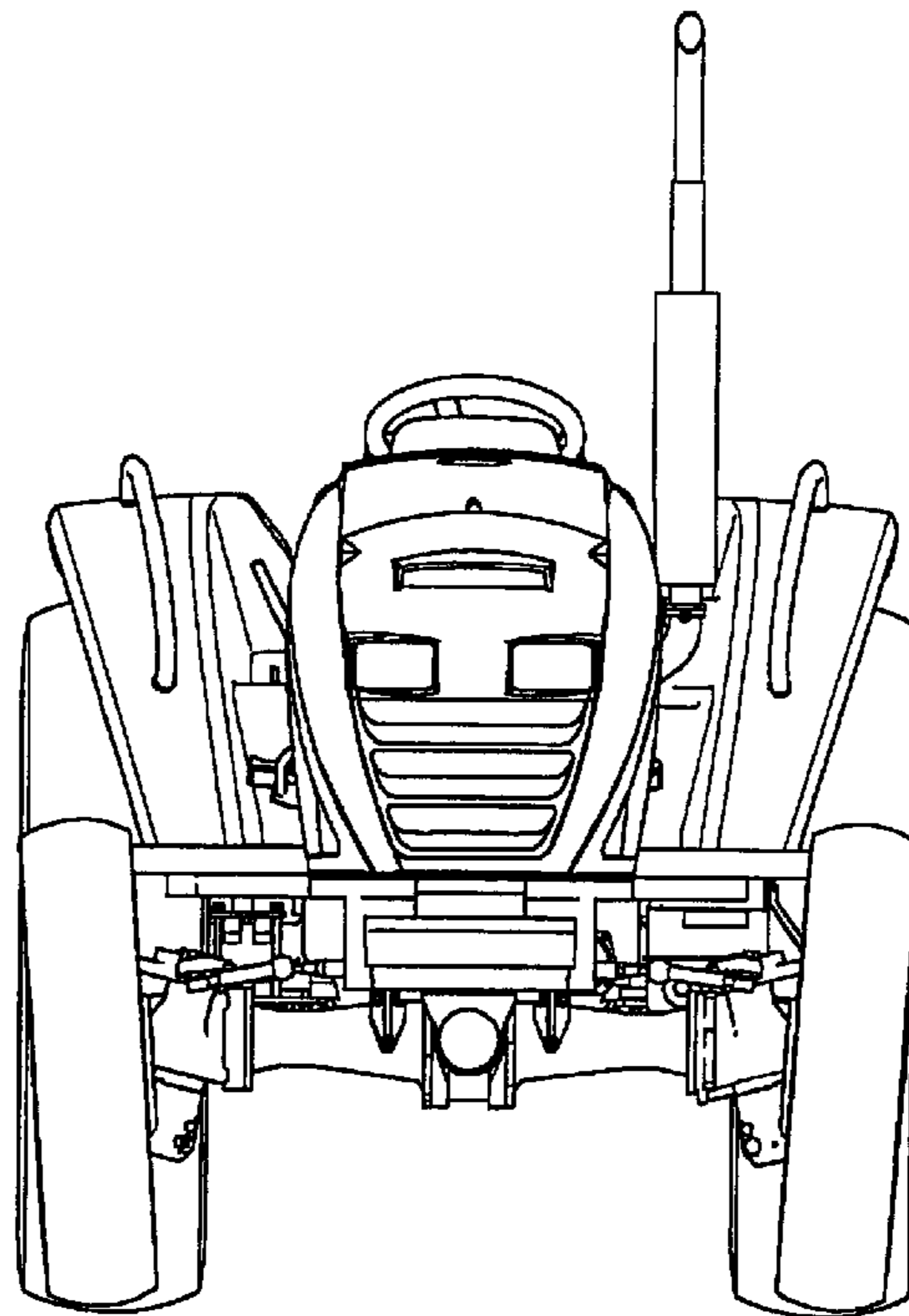


Fig. 4

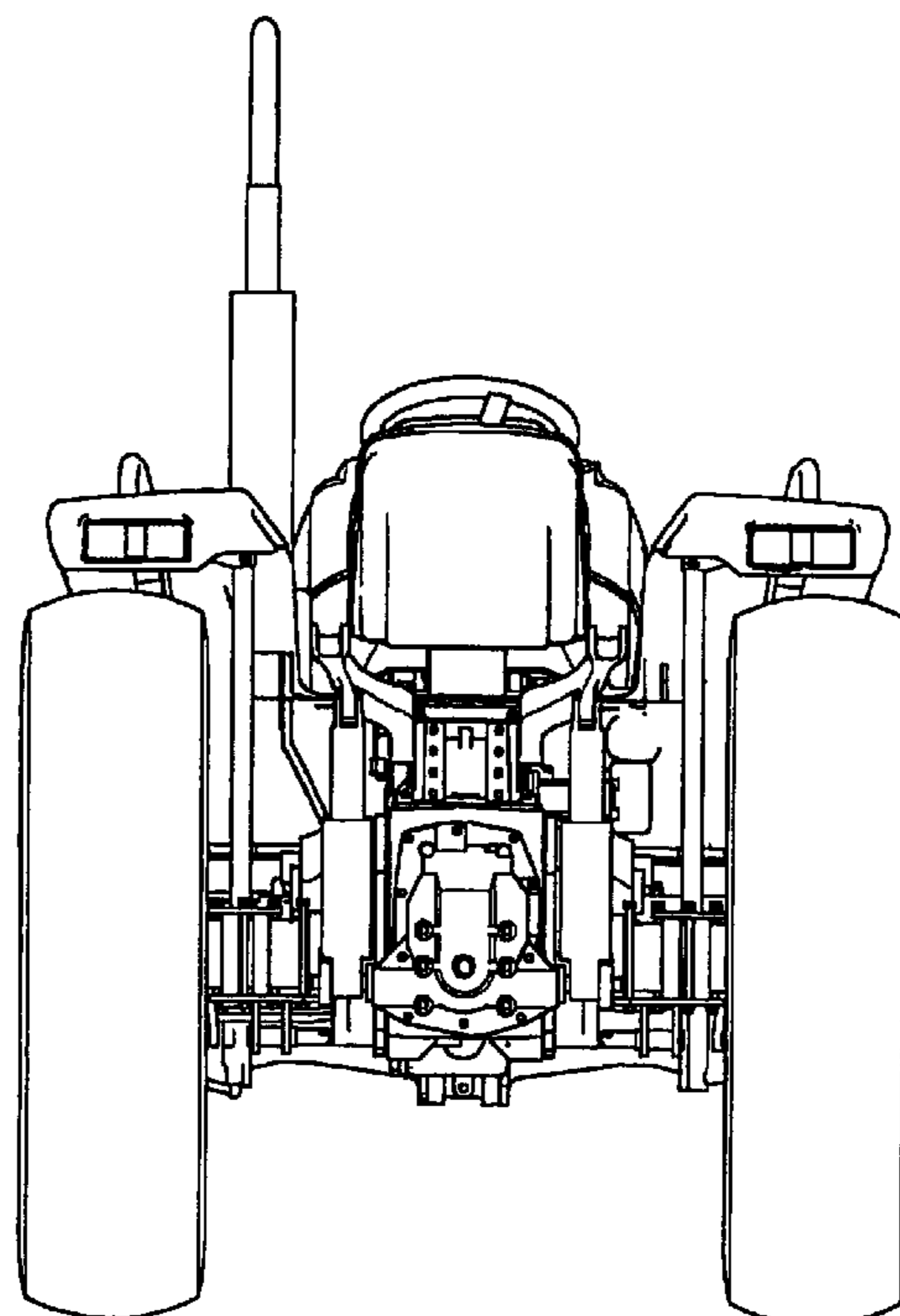


Fig. 5

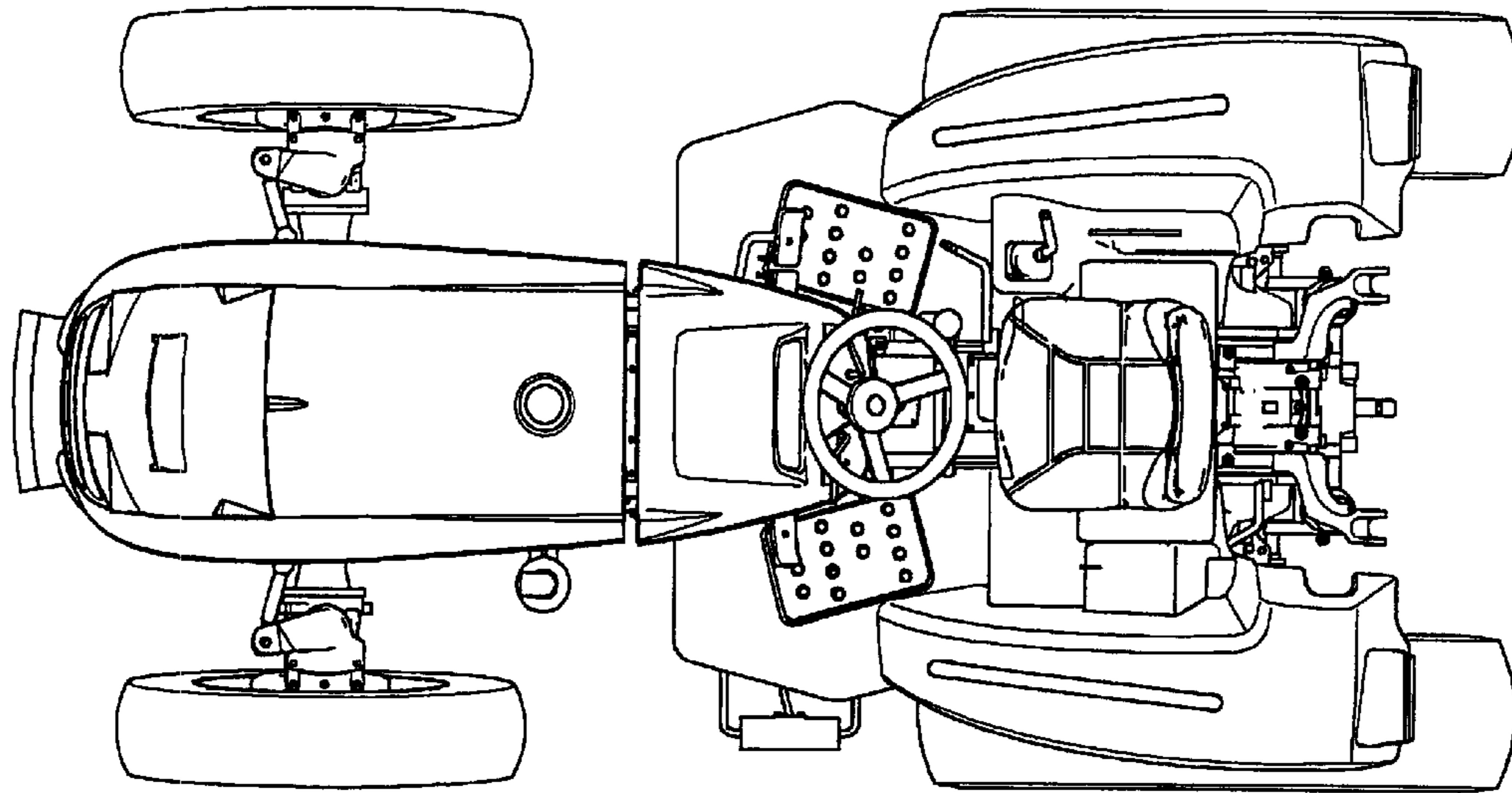


Fig. 6

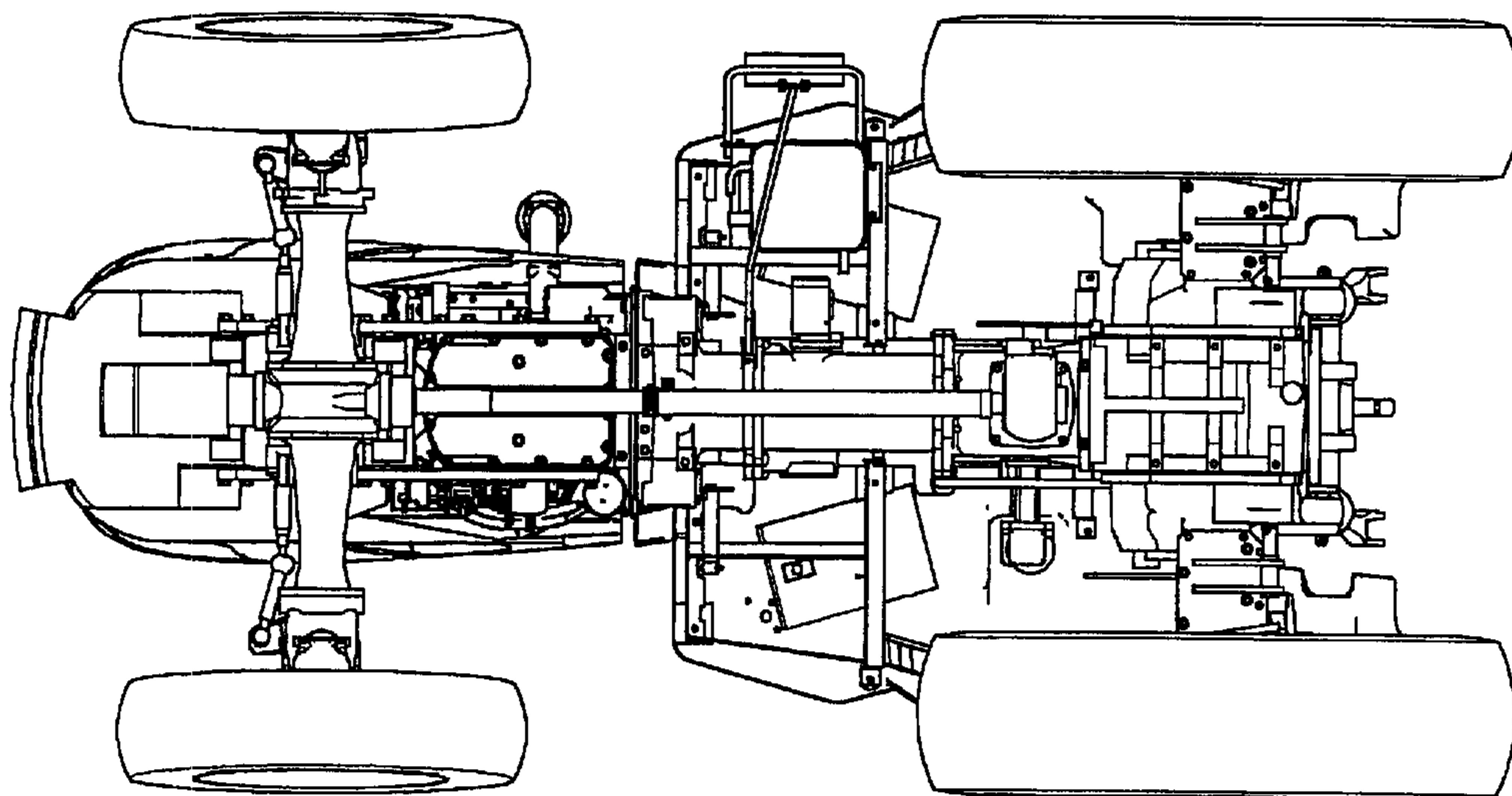


Fig. 7

