



US00D542306S

(12) **United States Design Patent** (10) **Patent No.:** **US D542,306 S**
Andre et al. (45) **Date of Patent:** **** *May 8, 2007**

(54) **MEDIA DEVICE**

(75) Inventors: **Bartley K. Andre**, Menlo Park, CA (US); **Daniel J. Coster**, San Francisco, CA (US); **Daniele De Iuliis**, San Francisco, CA (US); **Richard P. Howarth**, San Francisco, CA (US); **Jonathan P. Ive**, San Francisco, CA (US); **Steve Jobs**, Palo Alto, CA (US); **Duncan Robert Kerr**, San Francisco, CA (US); **Shin Nishibori**, San Francisco, CA (US); **Matthew Dean Rohrbach**, San Francisco, CA (US); **Douglas B. Satzger**, Menlo Park, CA (US); **Calvin Q. Seid**, Palo Alto, CA (US); **Christopher J. Stringer**, Portola Valley, CA (US); **Eugene Antony Whang**, San Francisco, CA (US); **Rico Zorkendorfer**, San Francisco, CA (US)

(73) Assignee: **Apple Computer, Inc.**, Cupertino, CA (US)

(*) Notice: This patent is subject to a terminal disclaimer.

(**) Term: **14 Years**

(21) Appl. No.: **29/255,274**

(22) Filed: **Mar. 6, 2006**

Related U.S. Application Data

(63) Continuation of application No. 29/237,231, filed on Aug. 24, 2005.

(51) **LOC (8) Cl.** **14-03**

(52) **U.S. Cl.** **D14/496**

(58) **Field of Classification Search** D14/496, D14/401, 435, 474, 483, 217, 137, 138, 160, D14/168; 345/156, 169, 173-179, 905; 715/727-729, 715/864; 455/11.1, 7, 73, 344-347, 93, 95; 370/342-344; 369/1, 2, 6, 12; 463/43-47; 273/148 B

See application file for complete search history.

(56) **References Cited**

U.S. PATENT DOCUMENTS

D264,969 S	6/1982	McGourty
4,976,435 A	12/1990	Shatford et al.
5,192,082 A	3/1993	Inoue et al.
5,661,632 A	8/1997	Register
D412,940 S	8/1999	Kato et al.
5,964,661 A	10/1999	Dodge
D425,885 S	5/2000	Amron
D430,169 S	8/2000	Scibora
6,122,526 A	9/2000	Parulski et al.
D432,523 S	10/2000	Grinkus et al.

(Continued)

OTHER PUBLICATIONS

U.S. Appl. No. 29/234,096 filed Aug. 24, 2005.
U.S. Appl. No. 29/237,229 filed Aug. 24, 2005.

(Continued)

Primary Examiner—Prabhakar Deshmukh
(74) *Attorney, Agent, or Firm*—Beyer Weaver & Thomas, LLP

(57) **CLAIM**

We claim the ornamental design for a media device, substantially as shown and described.

DESCRIPTION

FIG. 1 is a perspective view of a media device in accordance with the present design.

FIG. 2 is a front view for the media device.

FIG. 3 is a rear view for the media device.

FIG. 4 is a top view for the media device.

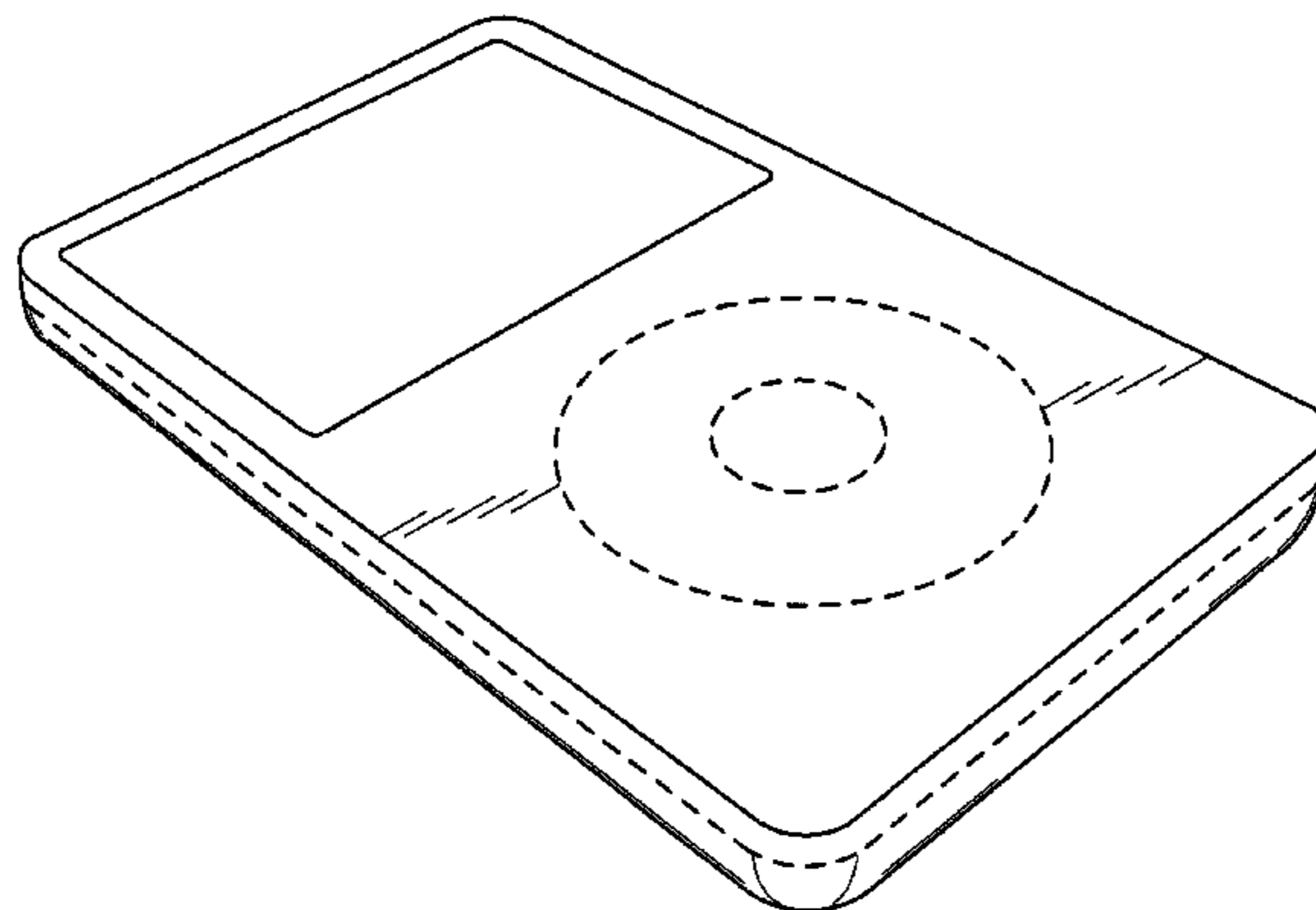
FIG. 5 is a bottom view for the media device.

FIG. 6 is a right side view for the media device; and,

FIG. 7 is a left side view for the media device.

The broken lines, which define the bounds of the claimed design, form no part thereof. The broken lines environmental are for illustrative purpose only and form no part of the claimed design.

1 Claim, 3 Drawing Sheets



US D542,306 S

Page 2

U.S. PATENT DOCUMENTS

D437,860 S	2/2001	Suzuki et al.	
6,227,966 B1	5/2001	Yokoi	
6,254,477 B1	7/2001	Sasaki et al.	
6,262,785 B1	7/2001	Kim	
D448,810 S	10/2001	Goto	
D450,713 S	11/2001	Masamitsu et al.	
6,314,483 B1	11/2001	Goto et al.	
D452,250 S	* 12/2001	Chan	D14/496
D455,793 S	4/2002	Lin	
D468,365 S	1/2003	Bransky et al.	
D469,109 S	1/2003	Andre et al.	
D472,245 S	3/2003	Andre et al.	
D473,207 S	4/2003	Tanio	
6,591,085 B1	* 7/2003	Grady	455/42
D483,809 S	12/2003	Lim	
D486,813 S	* 2/2004	Chun	D14/156
D489,052 S	* 4/2004	Shiraki et al.	D14/156
D489,731 S	5/2004	Huang	
D490,068 S	5/2004	Chen	
D492,323 S	6/2004	Wang	
D494,188 S	8/2004	Huang	
D497,618 S	10/2004	Andre et al.	
D499,423 S	12/2004	Bahroocha et al.	
D499,424 S	12/2004	Bahroocha	
D506,476 S	6/2005	Andre et al.	
D507,277 S	7/2005	Sitoh	
D509,833 S	9/2005	Yang	
D510,937 S	10/2005	Tsai	
D511,347 S	11/2005	Naruki	
D512,403 S	12/2005	Yang	
6,977,675 B2	* 12/2005	Kotzin	348/208.2
D513,512 S	* 1/2006	Tsai	D14/496
D514,120 S	1/2006	Chan	
D514,121 S	1/2006	Johnson	
D514,589 S	2/2006	Chen	
D515,099 S	2/2006	Lee	
D515,546 S	2/2006	Mu	
D516,576 S	* 3/2006	Ive et al.	D14/496
D517,088 S	3/2006	Chong et al.	
D518,290 S	4/2006	Andre et al.	
D519,523 S	4/2006	Chiu et al.	
D520,020 S	5/2006	Senda et al.	
7,046,230 B2	* 5/2006	Zadesky et al.	345/156
2004/0224638 A1	11/2004	Fadell et al.	

OTHER PUBLICATIONS

U.S. Appl. No. 29/237,226 filed Aug. 24, 2005.
U.S. Appl. No. 29/237,235 filed Aug. 24, 2005.
U.S. Appl. No. 29/237,231 filed Aug. 24, 2005.
U.S. Appl. No. 29/237,224 filed Aug. 24, 2005.
U.S. Appl. No. 29/237,228 filed Aug. 24, 2005.
U.S. Appl. No. 29/237,225 filed Aug. 24, 2005.
U.S. Appl. No. 29/237,230 filed Aug. 24, 2005.
U.S. Appl. No. 29/255,294 filed Mar. 6, 2005.
U.S. Appl. No. 29/237,232 filed Aug. 24, 2005.
U.S. Appl. No. 29/237,090 filed Aug. 24, 2005.
U.S. Appl. No. 29/224,220 entitled "Media Device" filed Feb. 25, 2005.

* cited by examiner

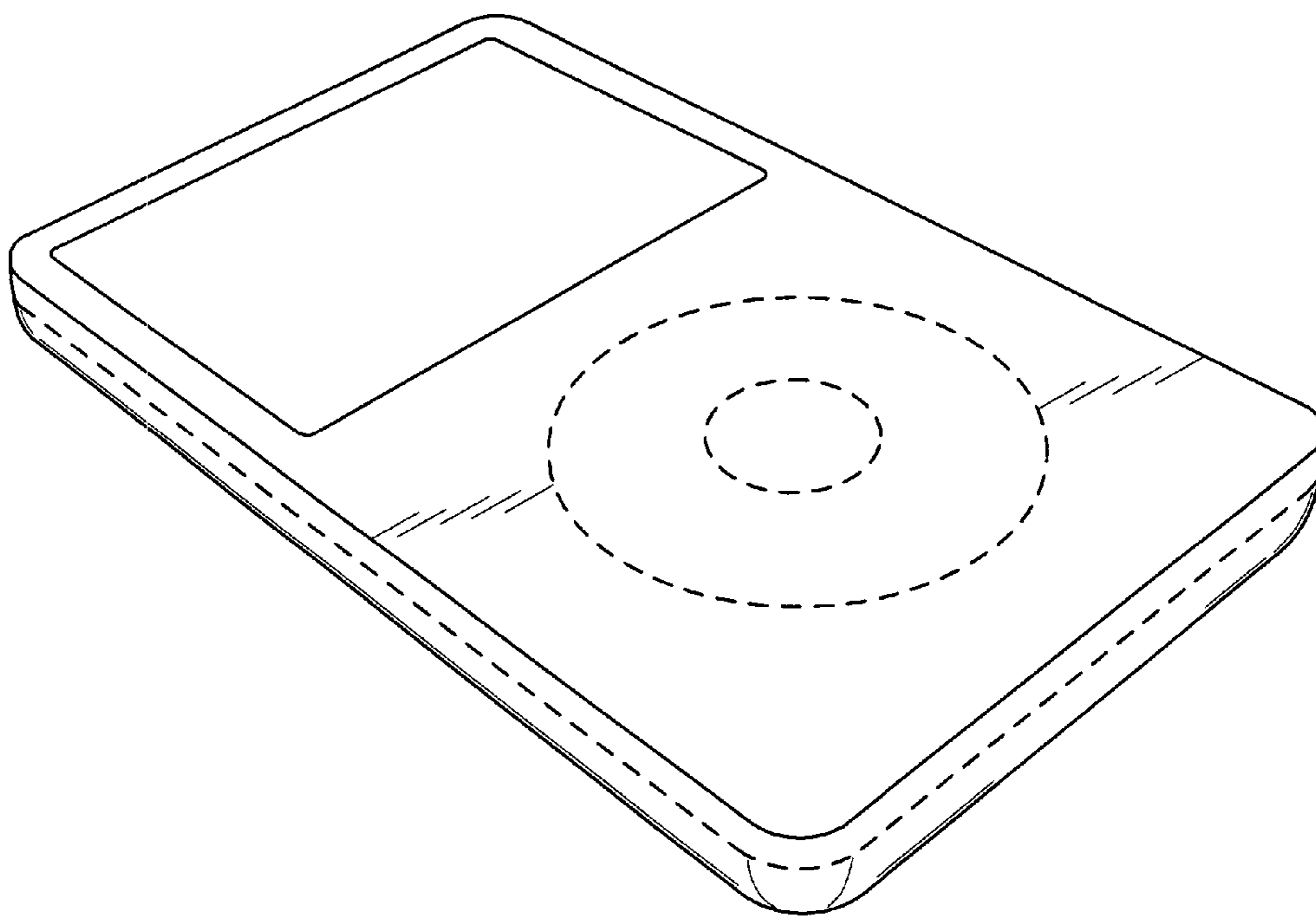


FIG. 1

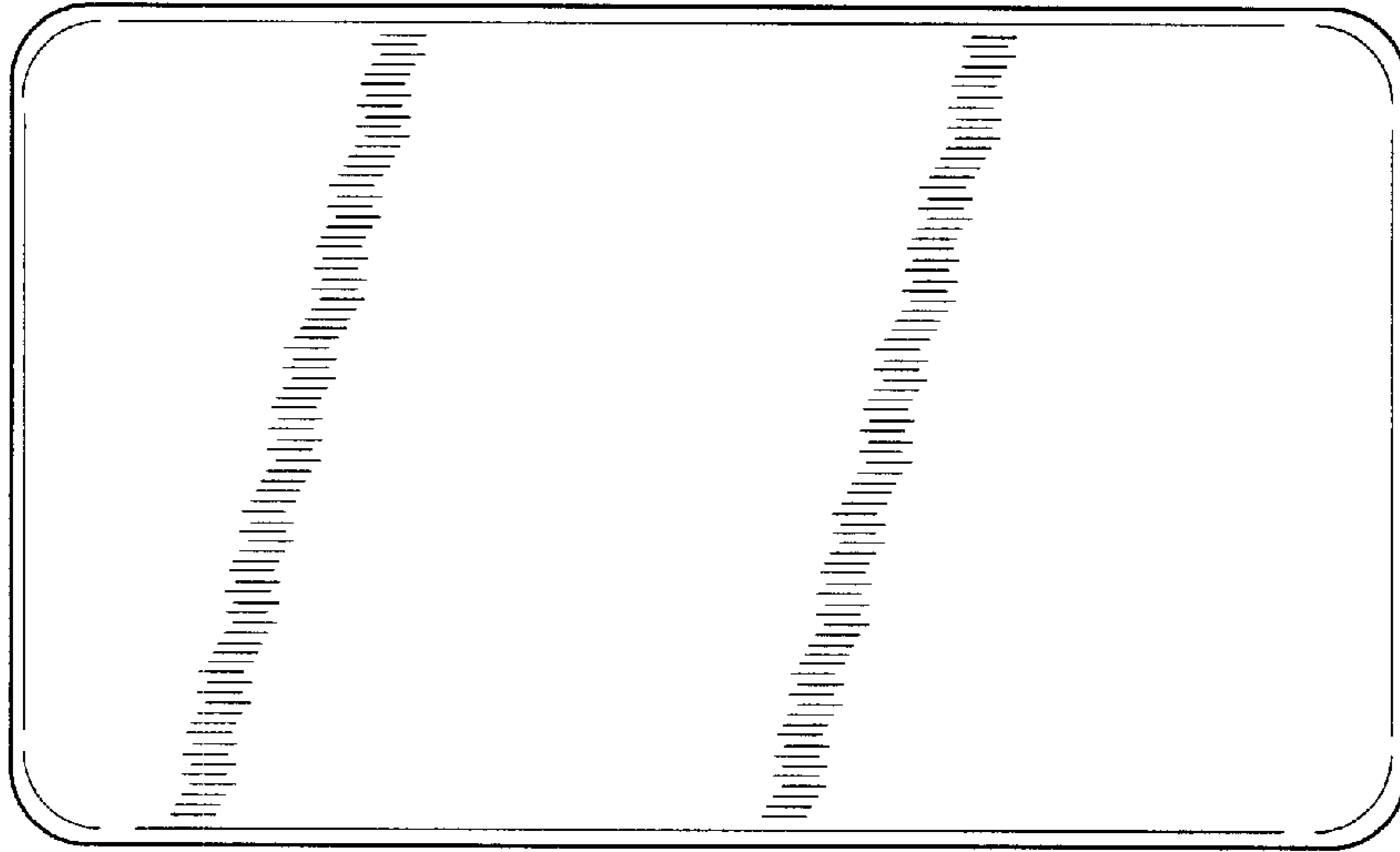


FIG. 3

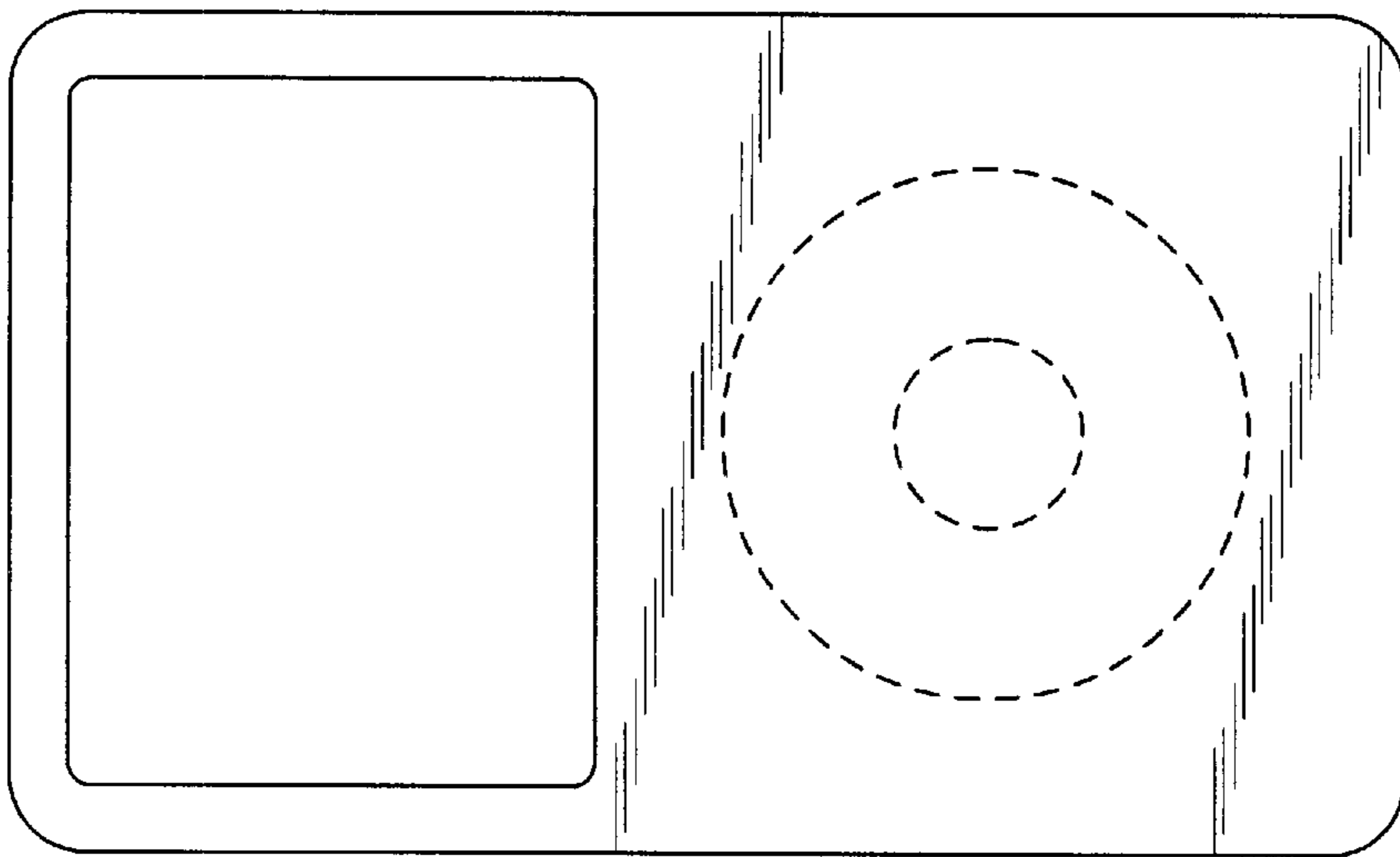


FIG. 2

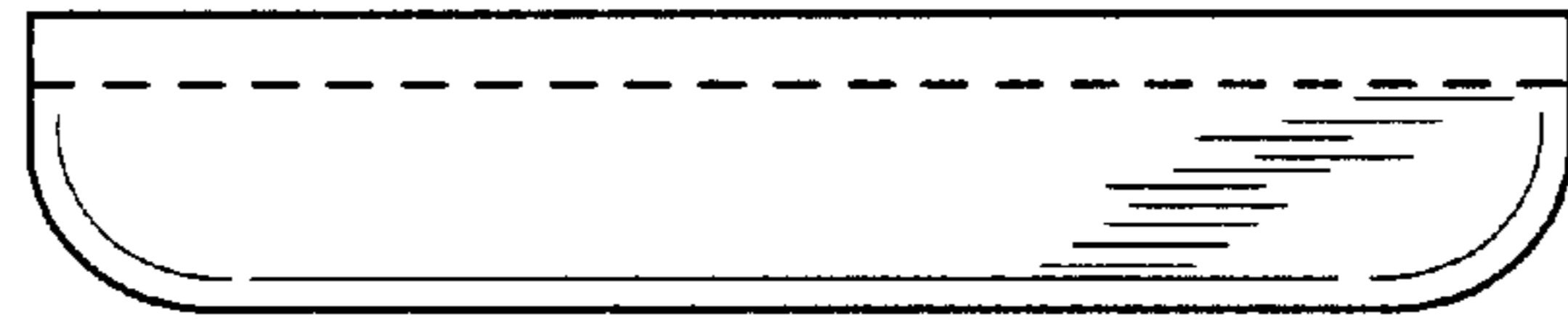


FIG. 4

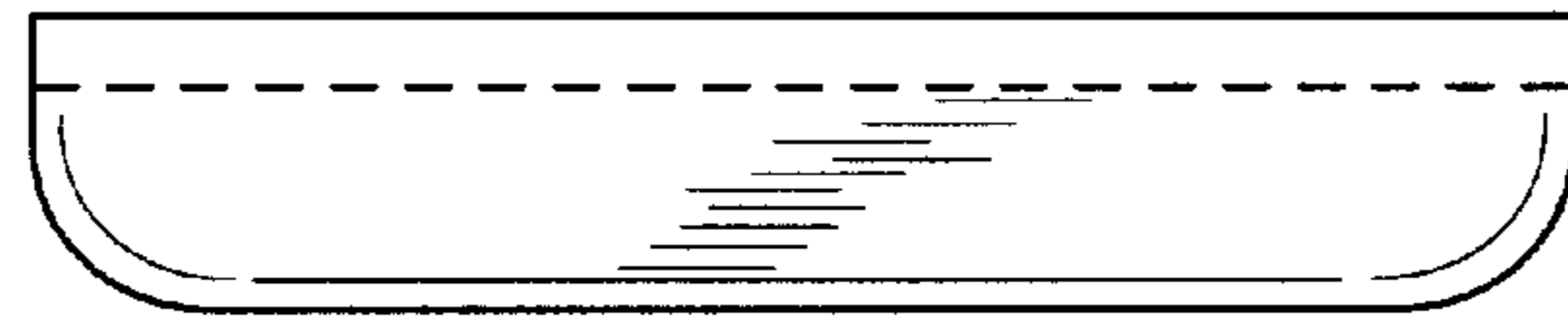


FIG. 5

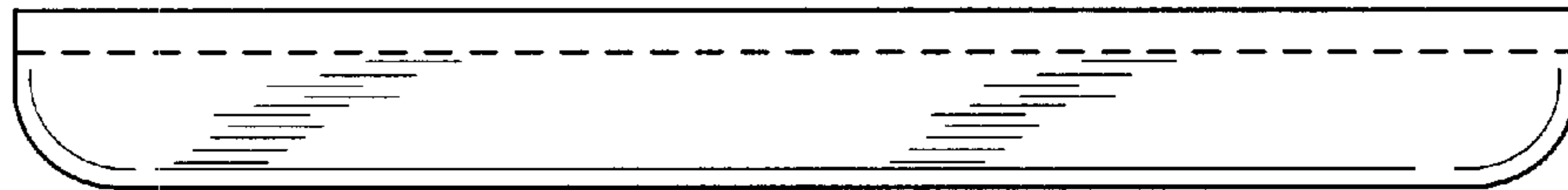


FIG. 6

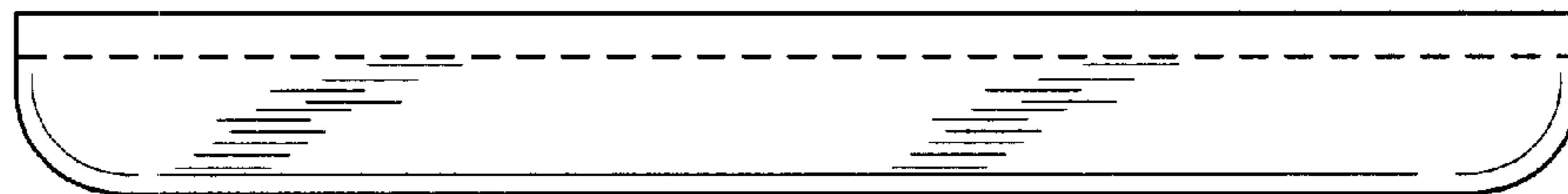


FIG. 7