



US00D542296S

(12) **United States Design Patent** (10) **Patent No.:** **US D542,296 S**
Bockheim et al. (45) **Date of Patent:** **** May 8, 2007**

(54) **MONITOR STAND**

(75) Inventors: **Robert J Bockheim**, Grand Rapids, MI (US); **Michael Fedrigo**, Comstock Park, MI (US); **Robert J Surman**, East Grand Rapids, MI (US); **Matthew O Schad**, Ada, MI (US); **Aaron DeJule**, Chicago, IL (US)

(73) Assignee: **Nucraft Furniture Company**, Comstock Park, MI (US)

(**) Term: **14 Years**

(21) Appl. No.: **29/242,532**

(22) Filed: **Nov. 10, 2005**

(51) **LOC (8) Cl.** **14-02**

(52) **U.S. Cl.** **D14/451**

(58) **Field of Classification Search** D14/125-9, D14/133, 141.2, 143, 336, 371-7, 380, 432, D14/439, 447-452; D19/59-60; D21/515; 248/123.11, 276.1, 278.1, 280.11, 284.1, 248/421; 348/836; 361/681; 446/143, 227, 446/408, 476, 491; 385/137

See application file for complete search history.

(56) **References Cited**

U.S. PATENT DOCUMENTS

| | | | |
|-----------|----|---------|----------------|
| 5,088,676 | A | 2/1992 | Orchard et al. |
| 5,799,917 | A | 9/1998 | Li |
| 5,947,429 | A | 9/1999 | Sweere et al. |
| 5,975,472 | A | 11/1999 | Hung |
| 6,012,693 | A | 1/2000 | Voeller et al. |
| 6,019,332 | A | 2/2000 | Sweere et al. |
| 6,233,139 | B1 | 5/2001 | Hamon |

| | | | | |
|--------------|----|-----------|----------------|---------------|
| 6,394,403 | B1 | 5/2002 | Hung | |
| 6,402,109 | B1 | 6/2002 | Dittmer | |
| D474,162 | S | * 5/2003 | Kubota | D14/126 |
| D496,363 | S | * 9/2004 | Ozolins et al. | D14/375 |
| D497,166 | S | * 10/2004 | Vick | D14/375 |
| 6,857,610 | B1 | 2/2005 | Conner et al. | |
| 2003/0128503 | A1 | * 7/2003 | Takahashi | 361/681 |

* cited by examiner

Primary Examiner—Alan P. Douglas

Assistant Examiner—Angela J. Lee

(74) *Attorney, Agent, or Firm*—Van Dyke, Gardner, Linn & Burkhardt, LLP

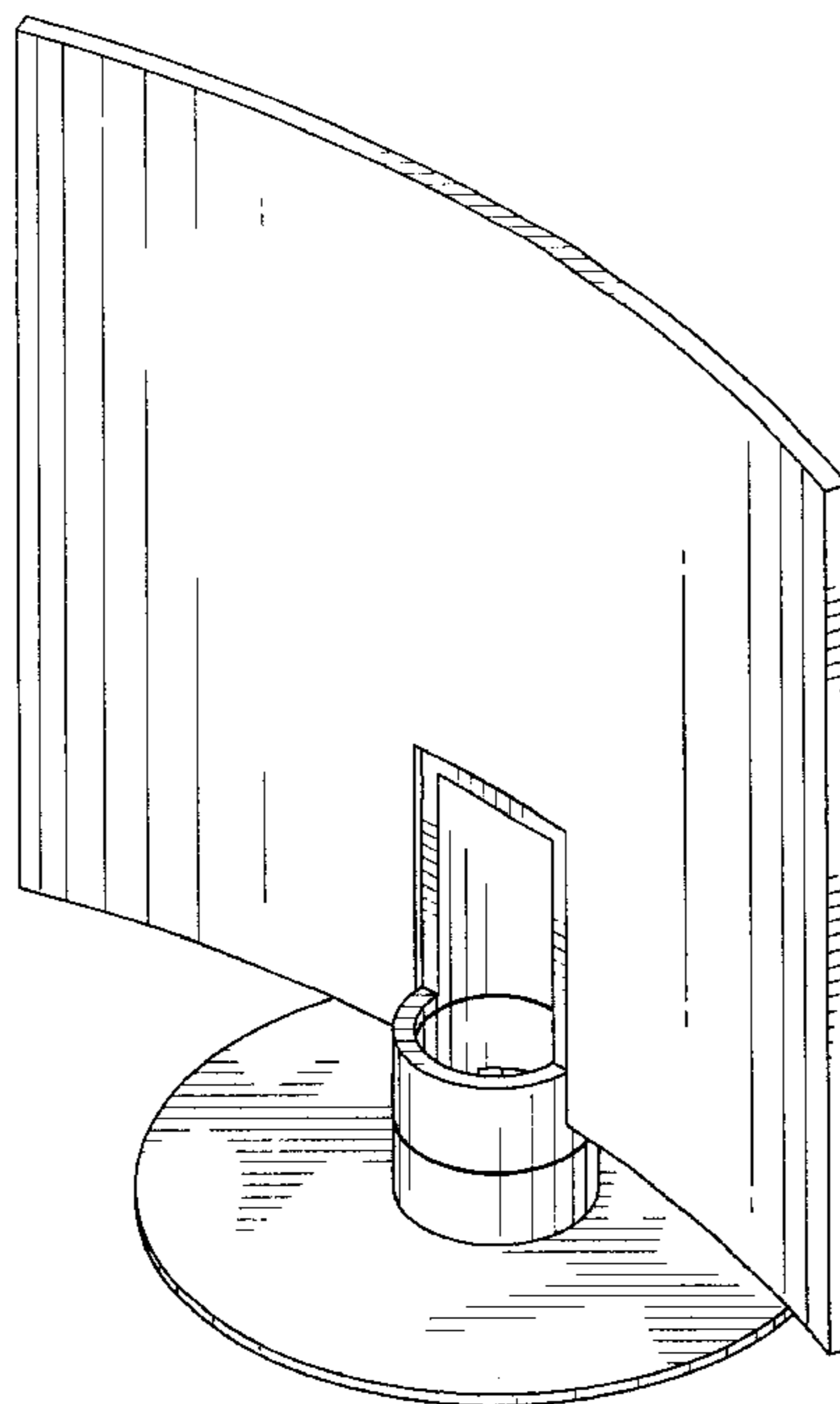
(57) **CLAIM**

The ornamental design for the monitor stand, as shown and described.

DESCRIPTION

FIG. 1 is a perspective view of a monitor stand in accordance with the present invention;
 FIG. 2 is a front elevation thereof;
 FIG. 3 is a top plan view thereof;
 FIG. 4 is a rear elevation thereof;
 FIG. 5 is a bottom plan view thereof;
 FIG. 6 is a side elevation thereof;
 FIG. 7 is an opposite side elevation thereof;
 FIG. 8 is a perspective view of the monitor stand of FIG. 1, showing a monitor mounted thereon;
 FIG. 9 is a front elevation of the monitor stand of FIG. 8; and,
 FIG. 10 is a top plan view of the monitor stand of FIG. 8. The broken line showing of the monitor stand in FIGS. 8-10 is included for the purpose of illustrating environmental structure and forms no part of the claimed design.

1 Claim, 6 Drawing Sheets



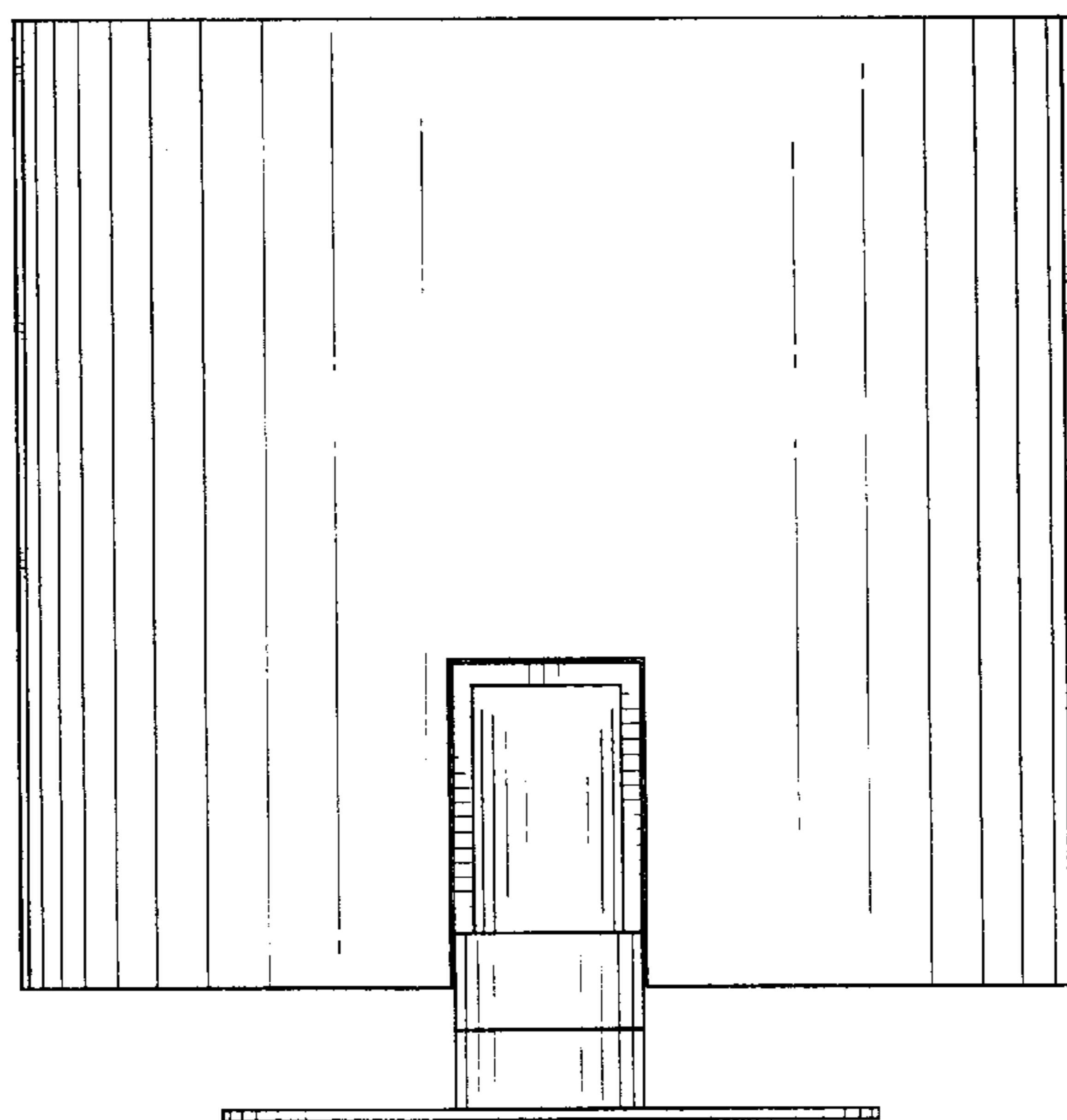
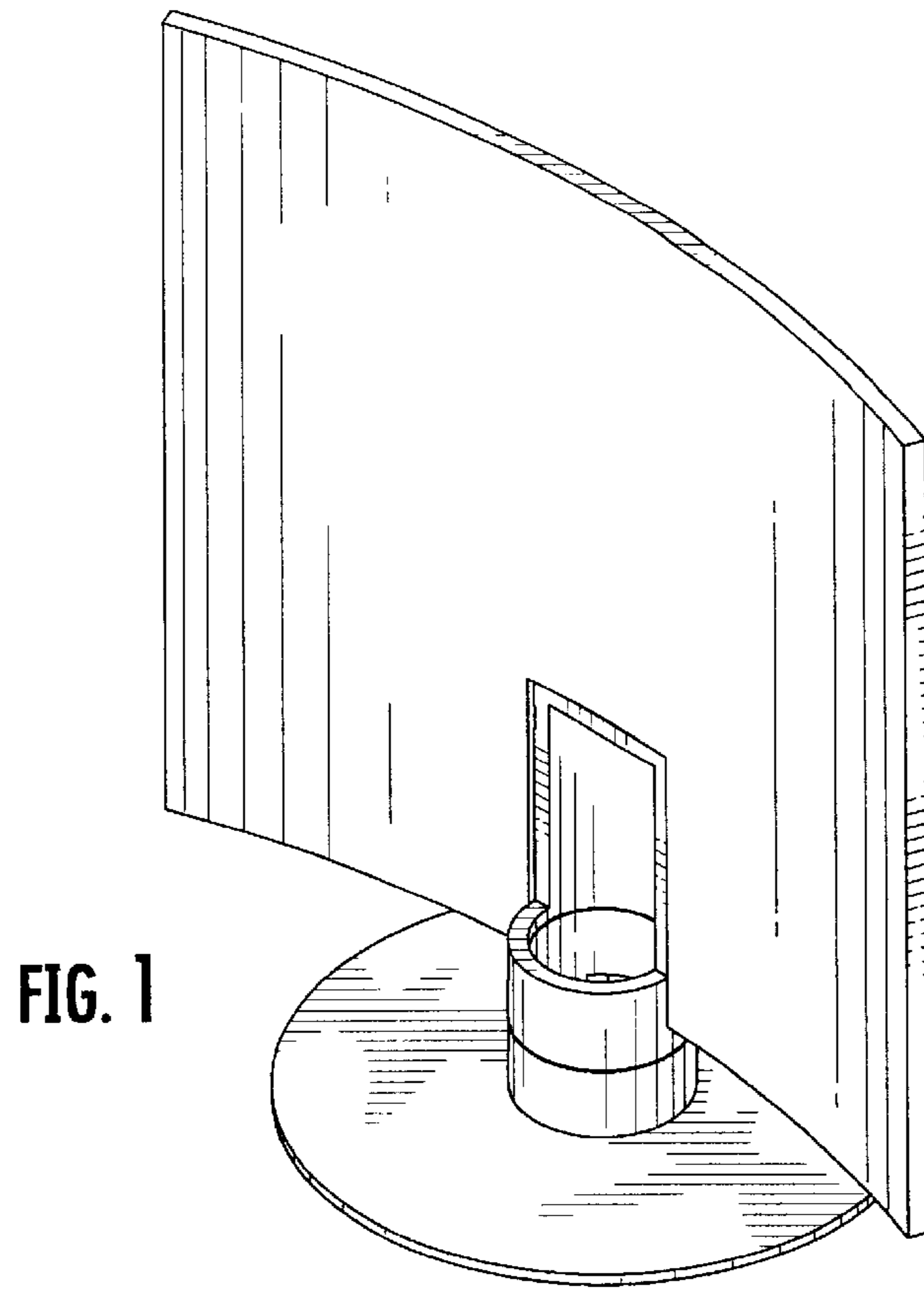


FIG. 2

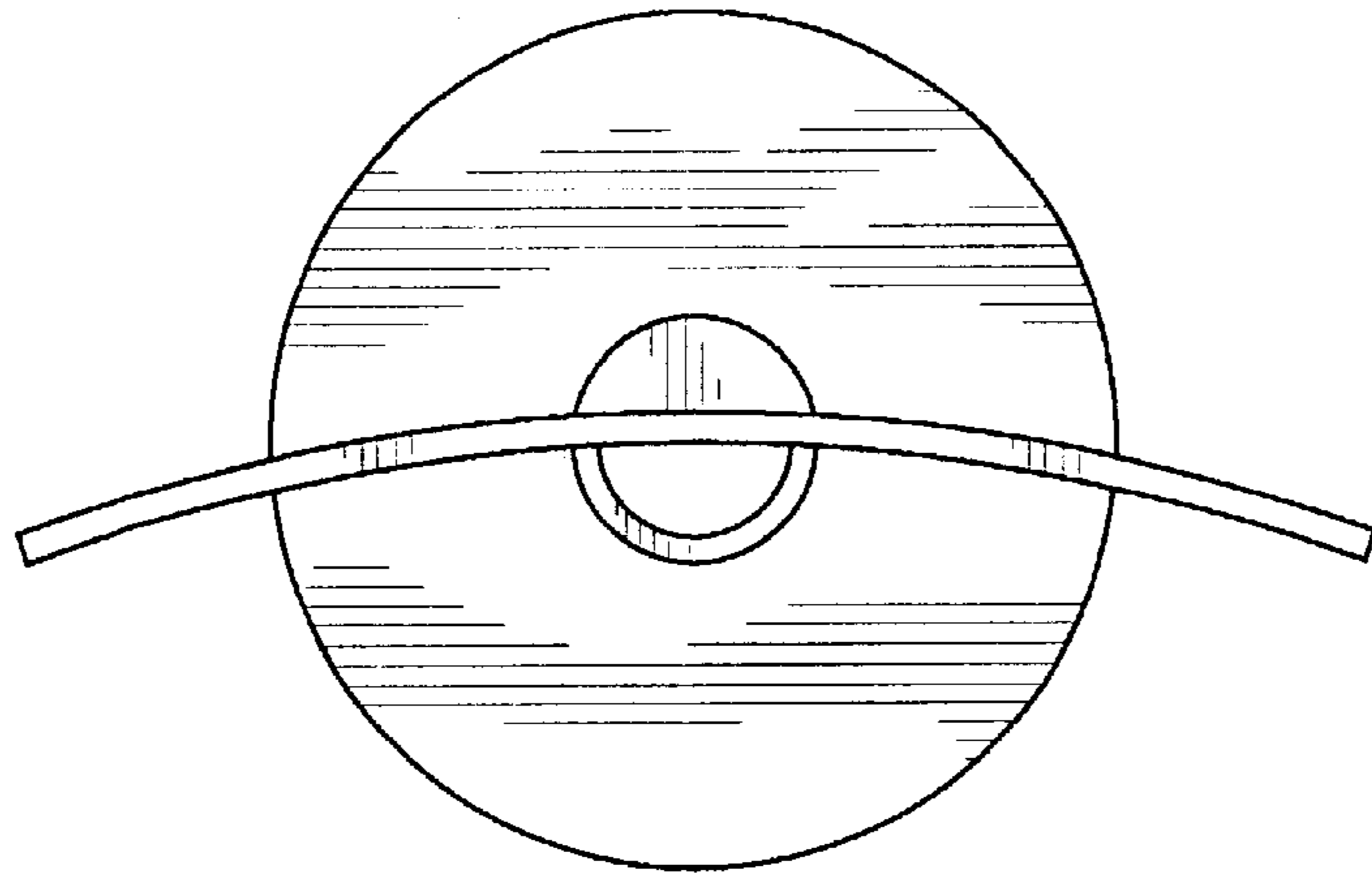


FIG. 3

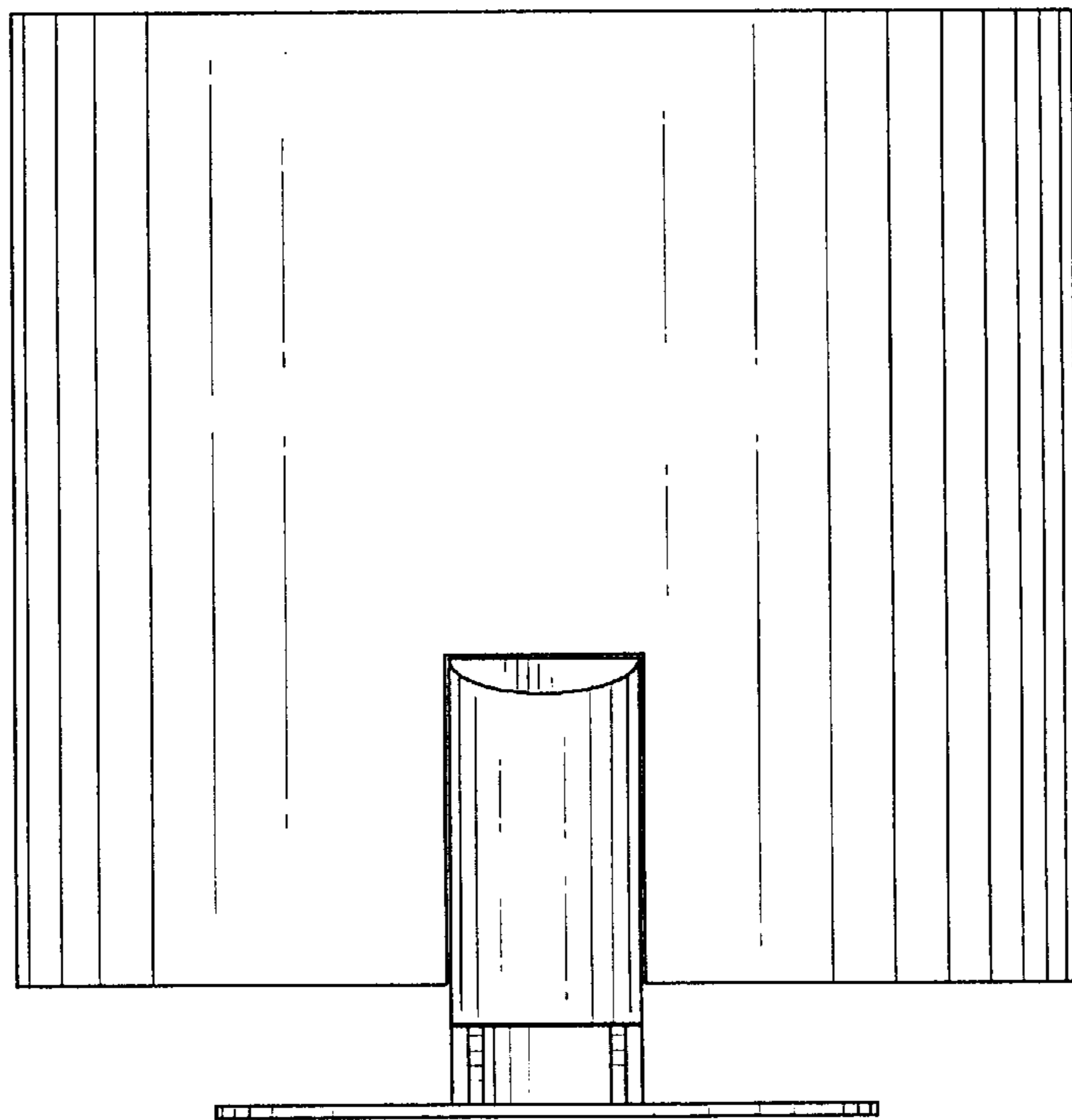


FIG. 4

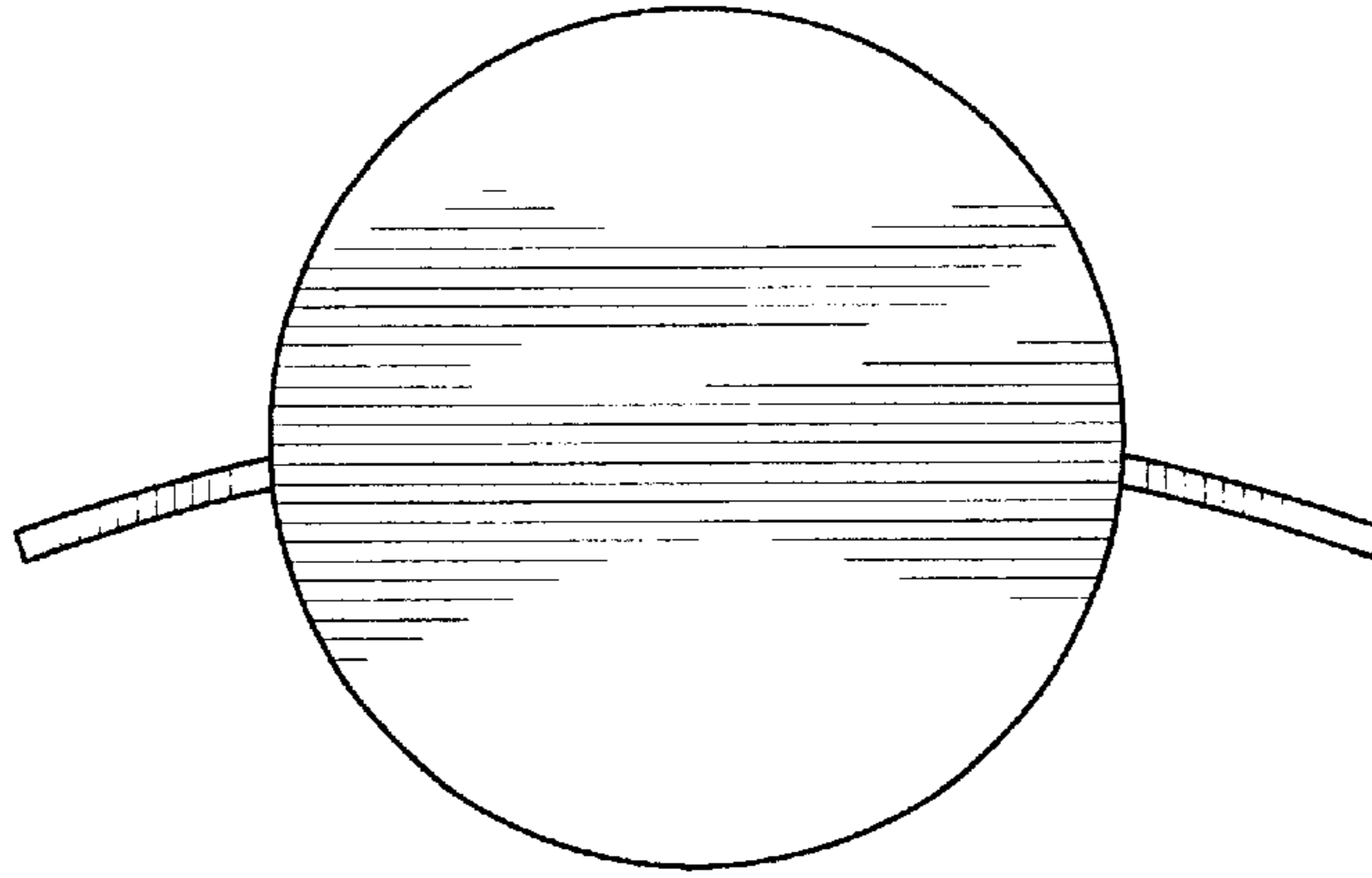


FIG. 5

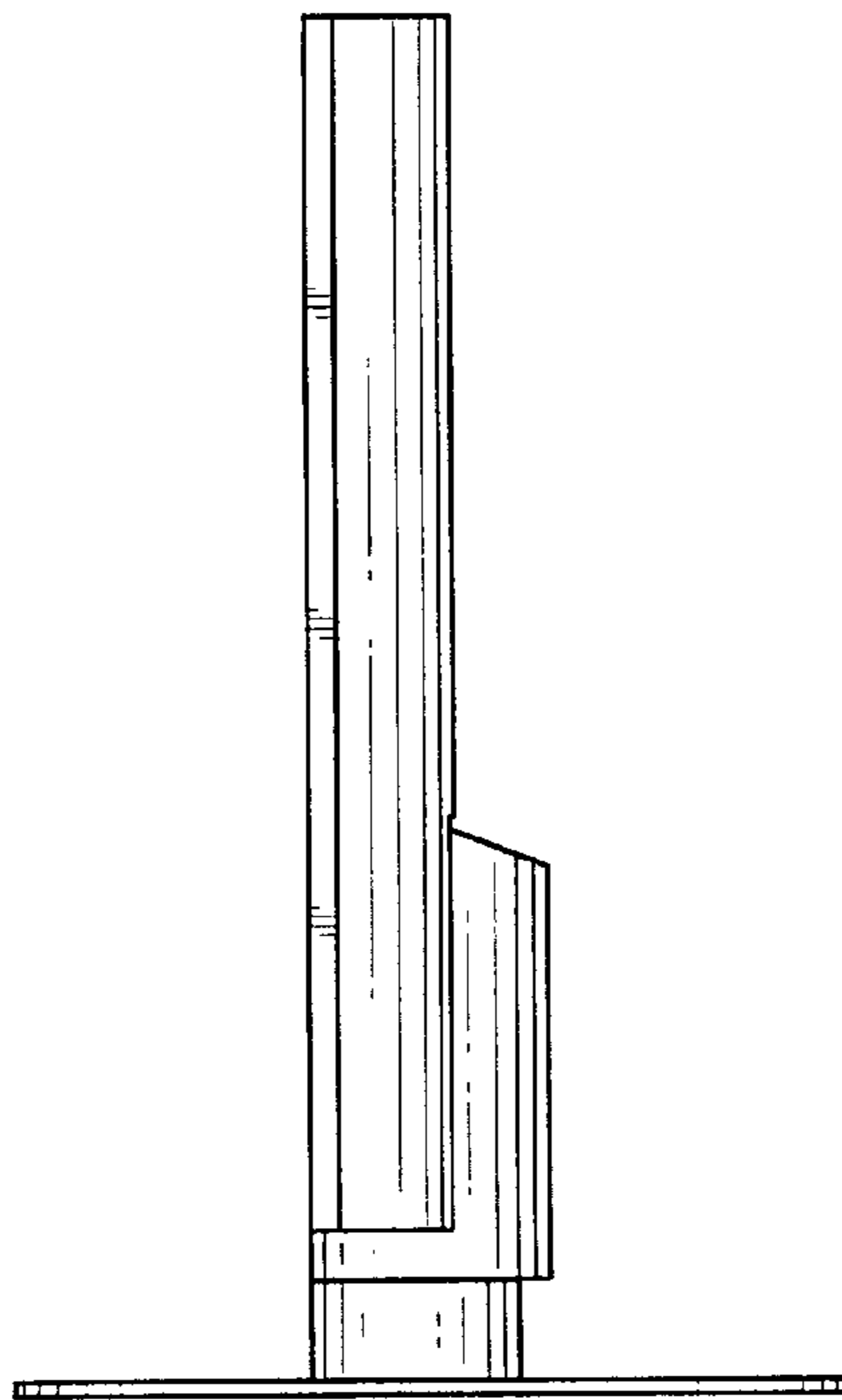


FIG. 6

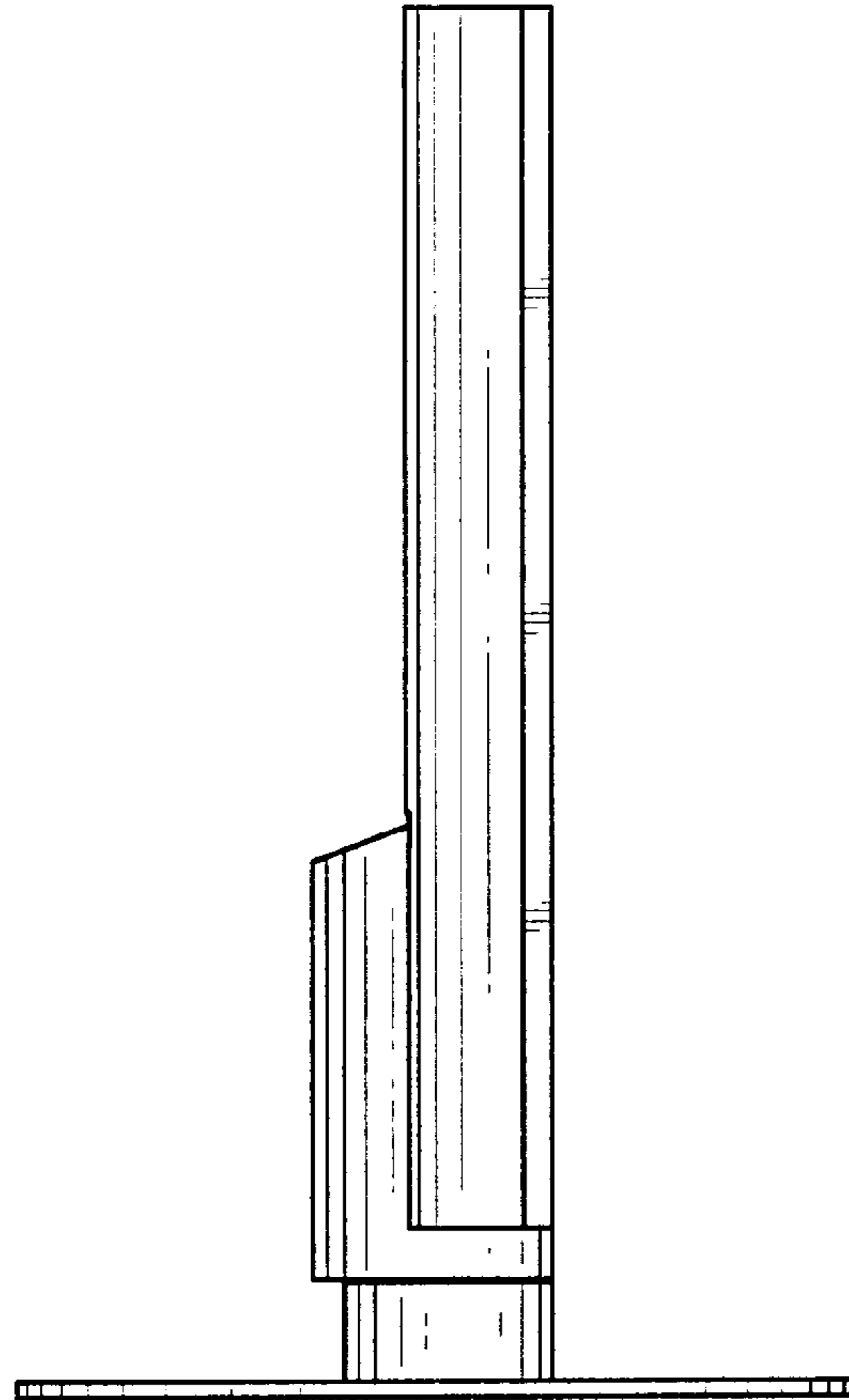
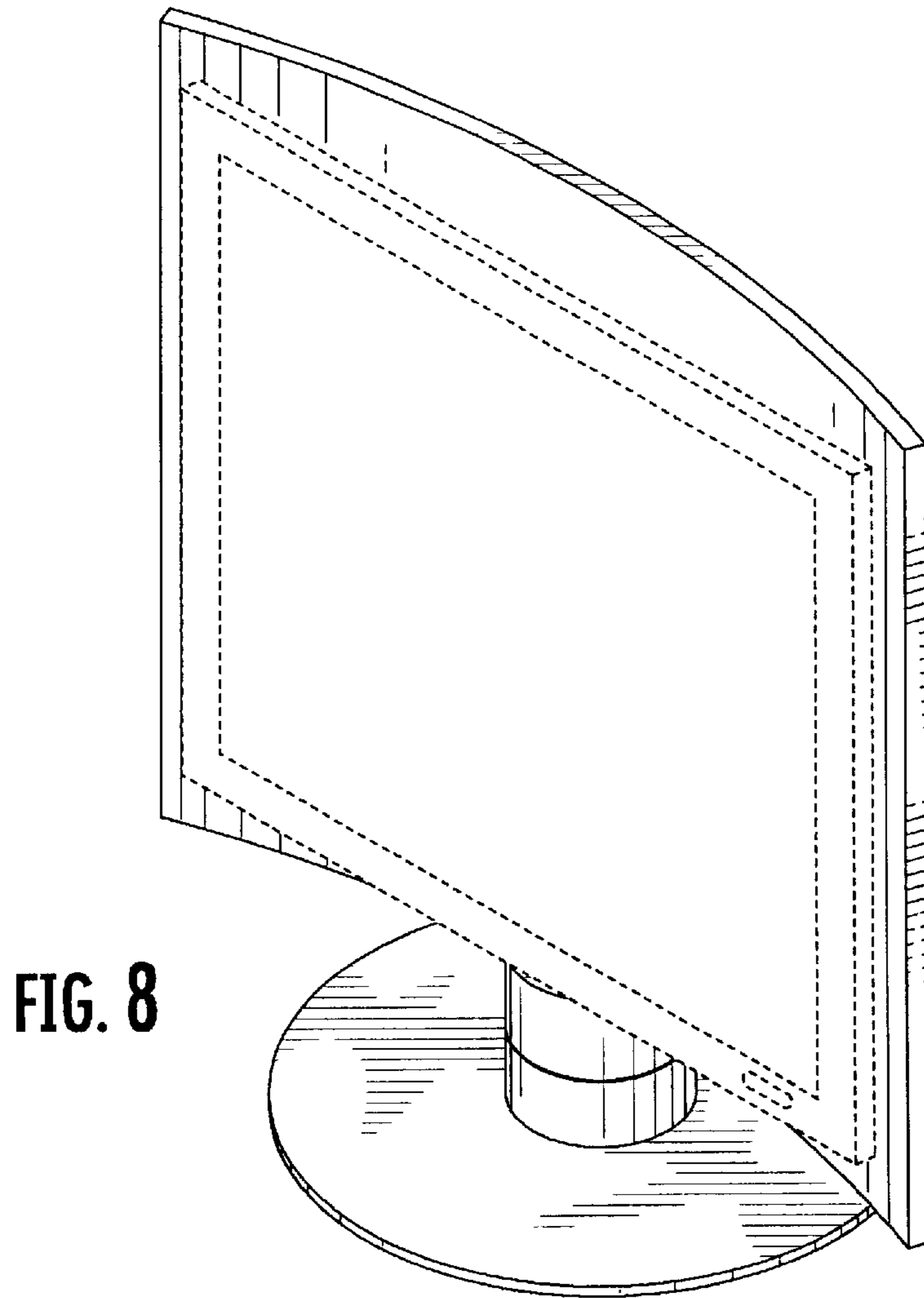


FIG. 7



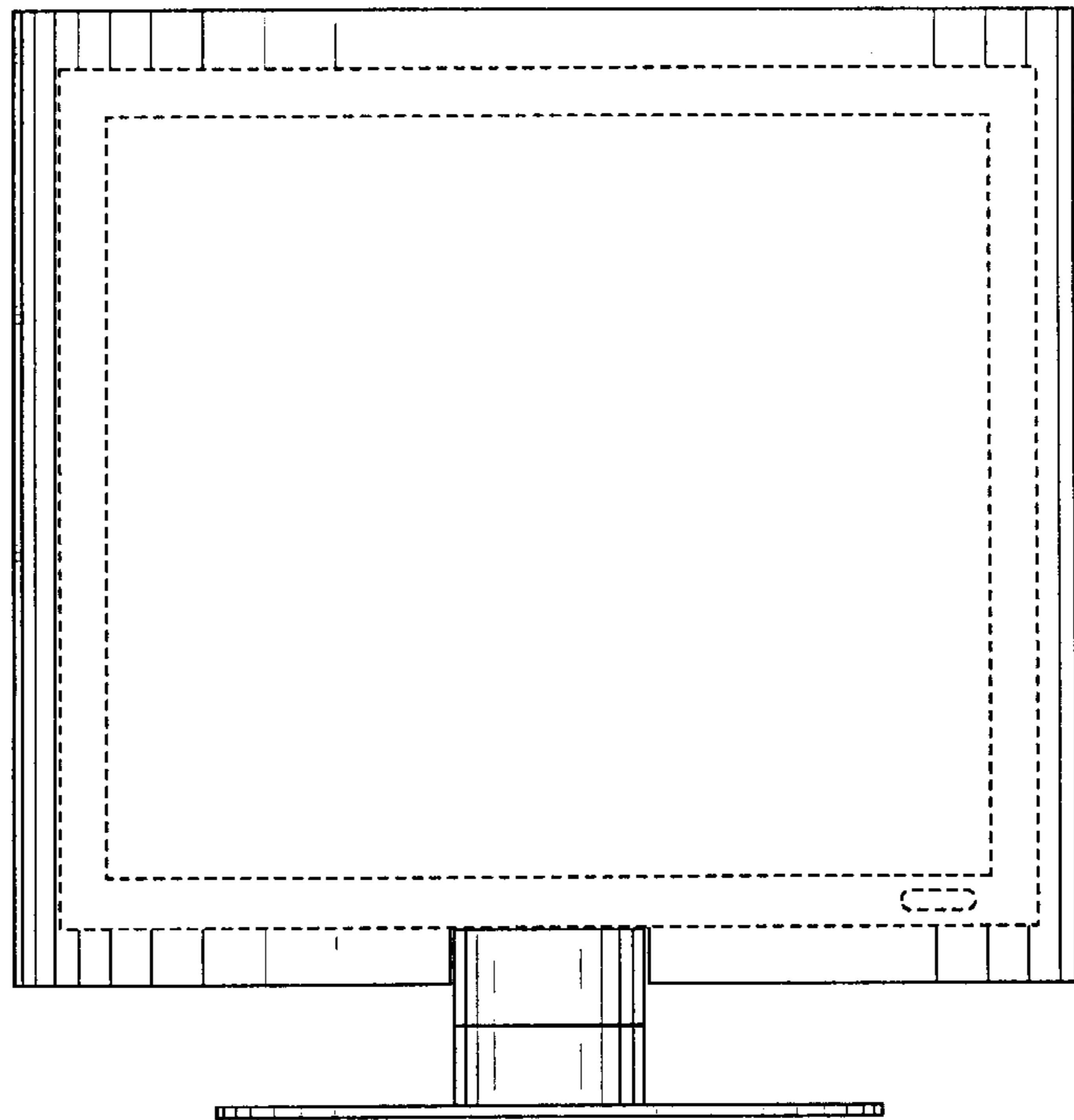


FIG. 9

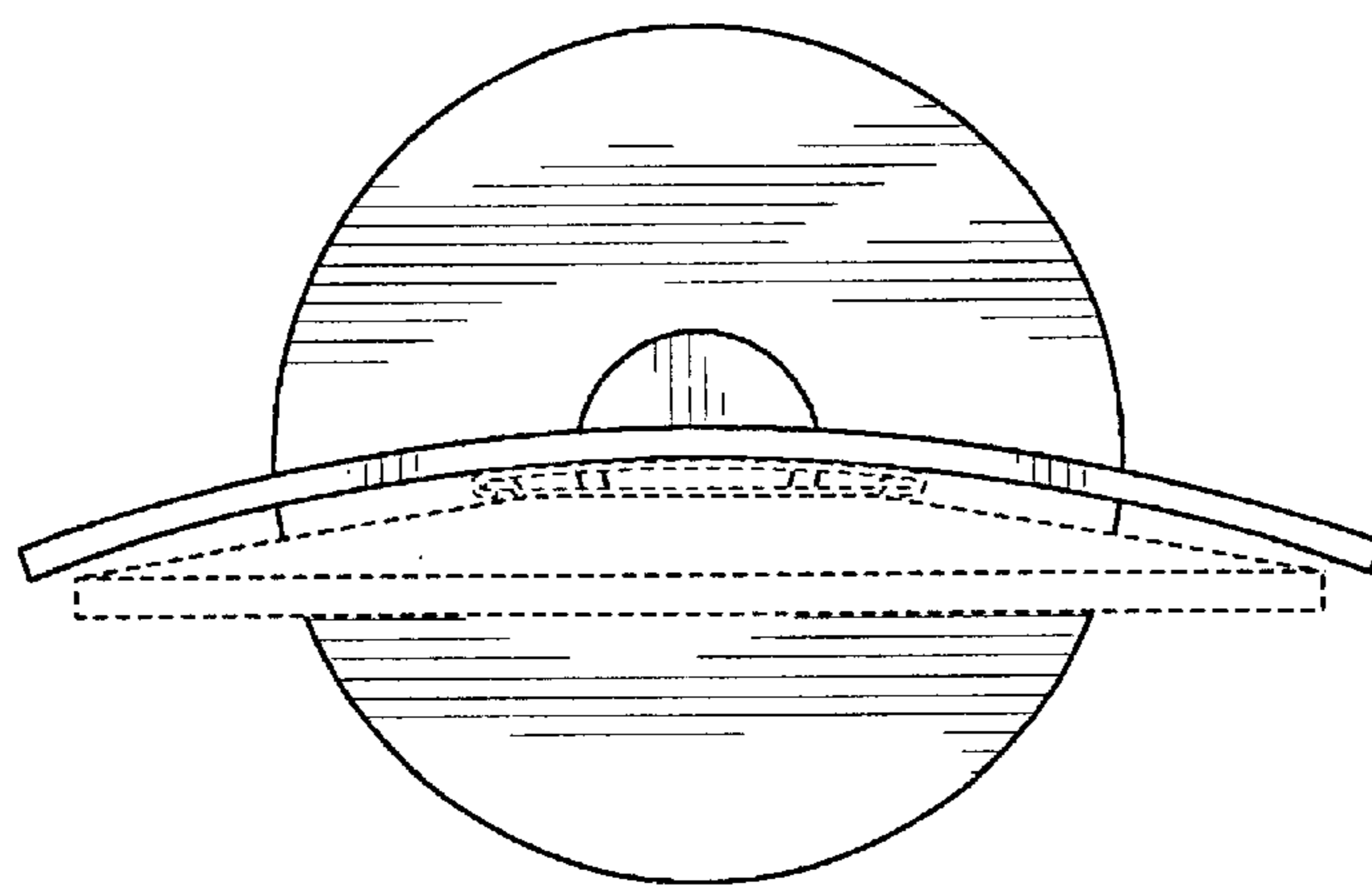


FIG. 10