



US00D542292S

(12) **United States Design Patent**  
**Kitamura et al.**

(10) **Patent No.:** **US D542,292 S**

(45) **Date of Patent:** **\*\* May 8, 2007**

(54) **DOCUMENT SCANNER**

(75) Inventors: **Teruhiko Kitamura**, Tachikawa (JP);  
**Masahiro Shirai**, Itabashi-ku (JP)

(73) Assignee: **Canon Denshi Kabushiki Kaisha**,  
Tokyo (JP)

(\*\*) Term: **14 Years**

(21) Appl. No.: **29/235,789**

(22) Filed: **Aug. 8, 2005**

(30) **Foreign Application Priority Data**

Feb. 10, 2005 (JP) ..... 2005-003487

(51) **LOC (8) Cl.** ..... **14-02**

(52) **U.S. Cl.** ..... **D14/422**

(58) **Field of Classification Search** ..... D14/422,  
D14/420, 425; 358/494, 473, 400, 401, 448,  
358/474, 486-488, 496, 498; 382/312, 317,  
382/321; D18/54; 400/629

See application file for complete search history.

(56) **References Cited**

**U.S. PATENT DOCUMENTS**

D382,256 S \* 8/1997 Lin ..... D14/422  
D388,405 S \* 12/1997 Lin ..... D14/422  
5,896,206 A \* 4/1999 Kellogg ..... 358/498

D409,584 S \* 5/1999 Fetherolf ..... D14/422  
D414,472 S \* 9/1999 Metzler ..... D14/422  
D478,594 S \* 8/2003 Ichiyoshi et al. .... D14/422  
2003/0063337 A1 \* 4/2003 Shirai et al. .... 358/498  
2003/0095296 A1 \* 5/2003 Terashima et al. .... 358/498

**OTHER PUBLICATIONS**

U.S. Appl. No. 29/235,790, filed Aug. 8, 2005.

\* cited by examiner

*Primary Examiner*—M. H. Tung

*Assistant Examiner*—Susan Moon Lee

(74) *Attorney, Agent, or Firm*—Fitzpatrick, Cella, Harper &  
Scinto

(57) **CLAIM**

The ornamental design for a document scanner, as shown  
and described.

**DESCRIPTION**

FIG. 1 is a front view of a document scanner showing our  
new design;

FIG. 2 is a rear view thereof;

FIG. 3 is a top plan view thereof;

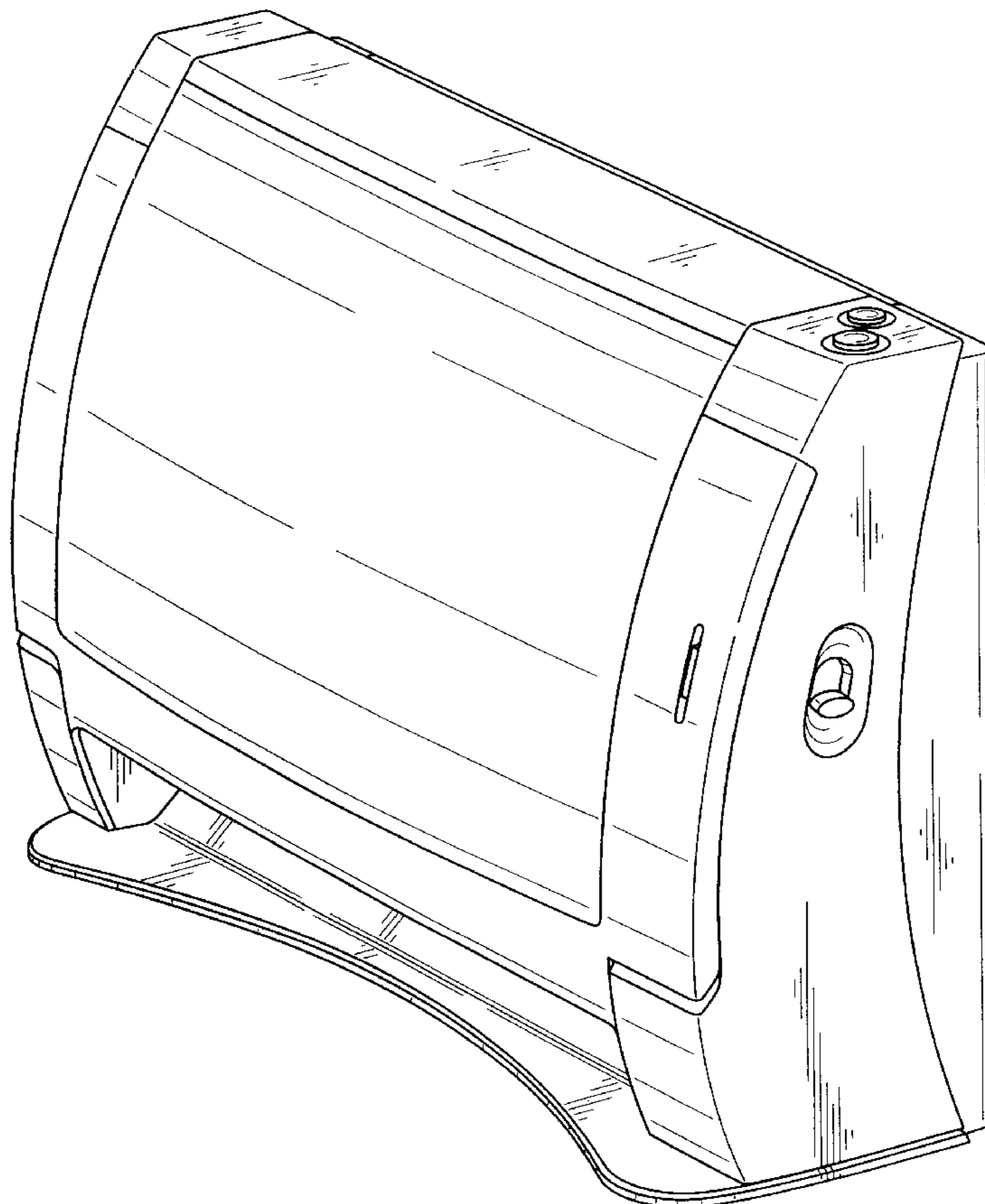
FIG. 4 is a bottom plan view thereof;

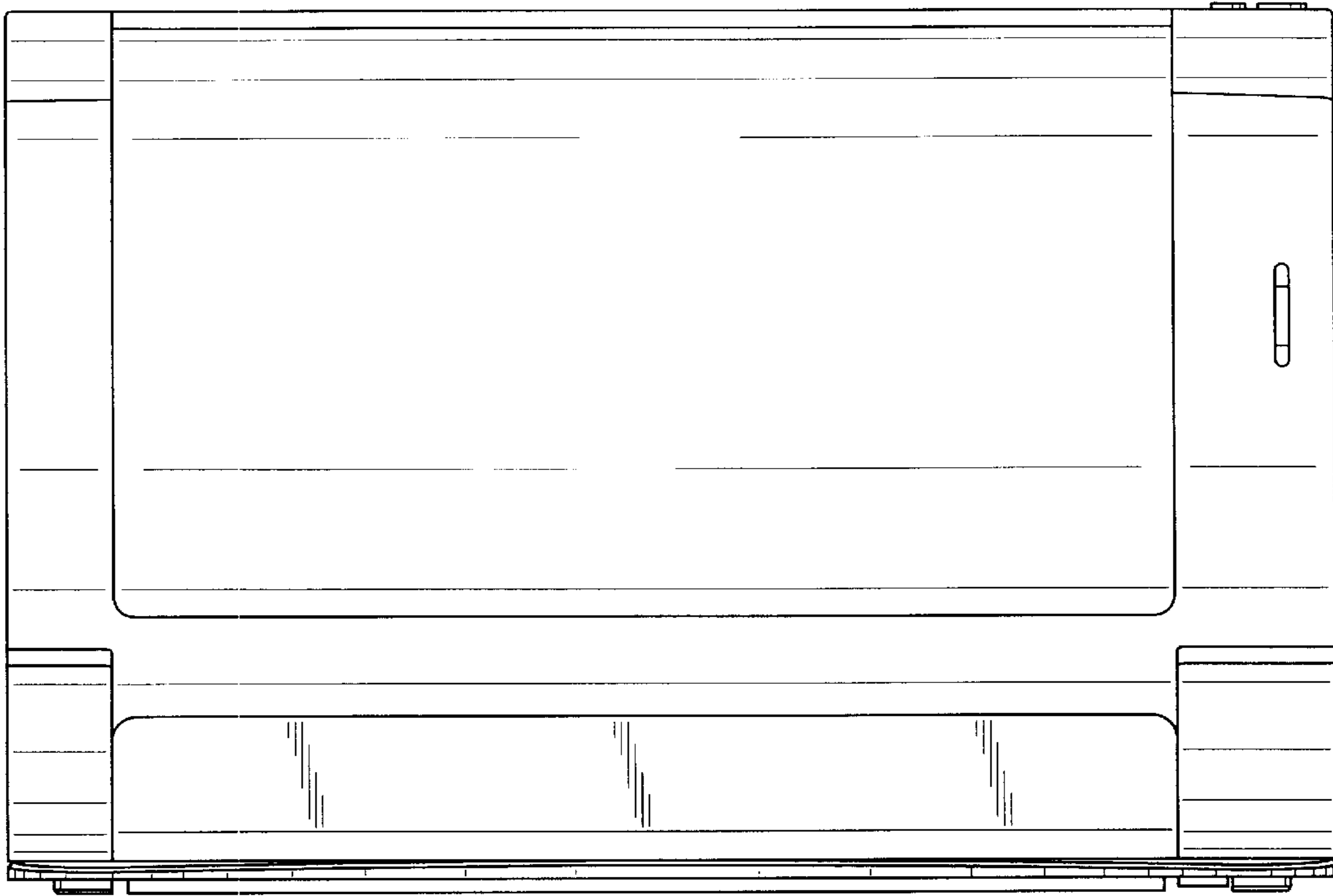
FIG. 5 is a left side view thereof;

FIG. 6 is a right side view thereof; and,

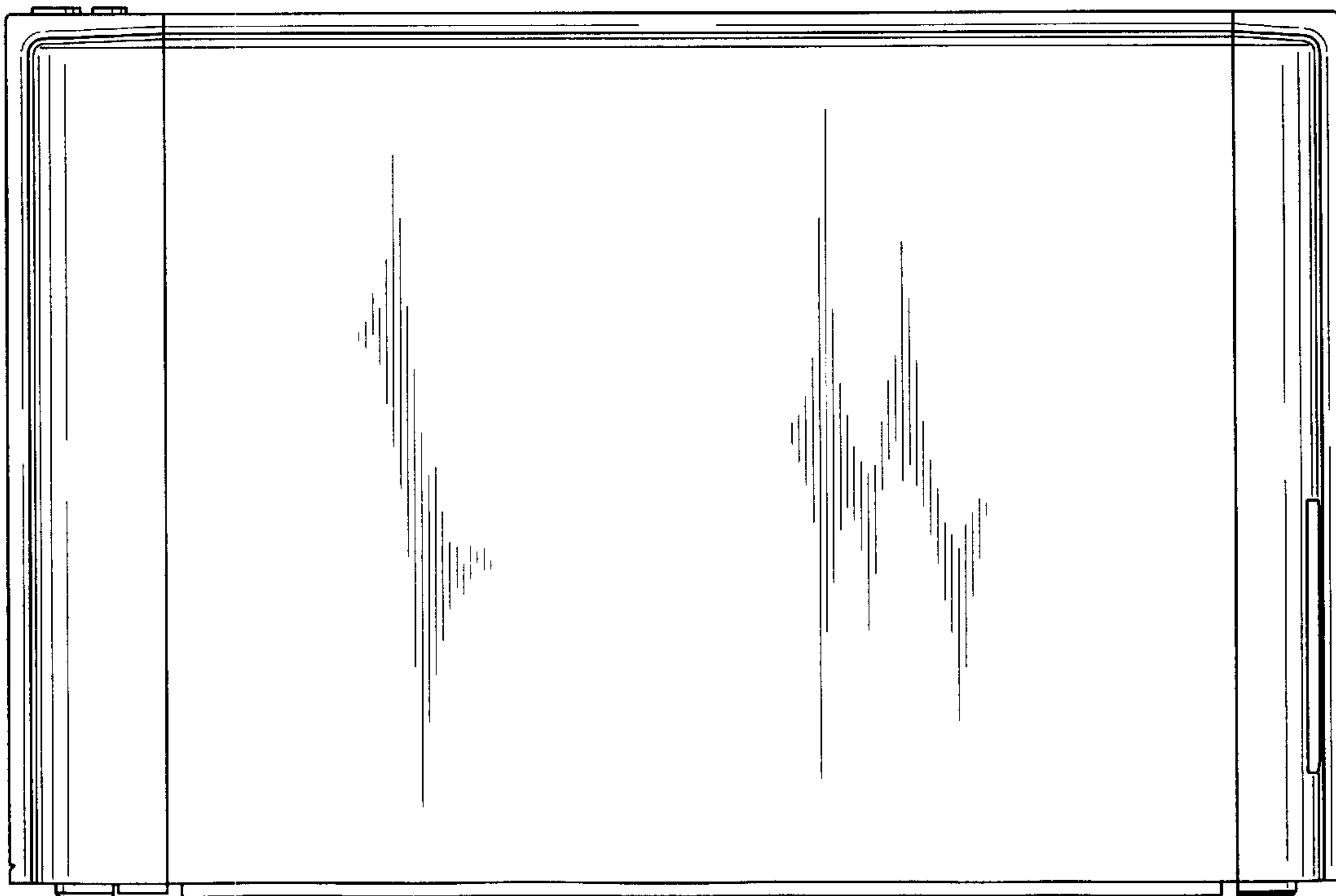
FIG. 7 is a perspective view thereof.

**1 Claim, 4 Drawing Sheets**

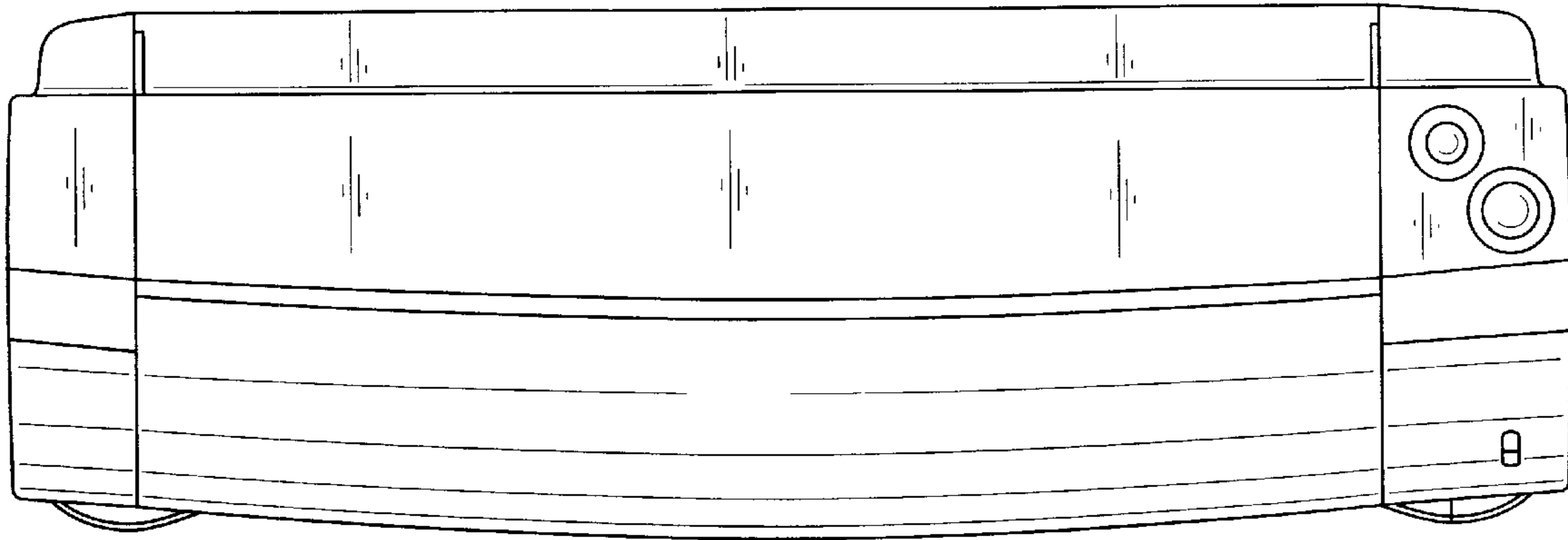




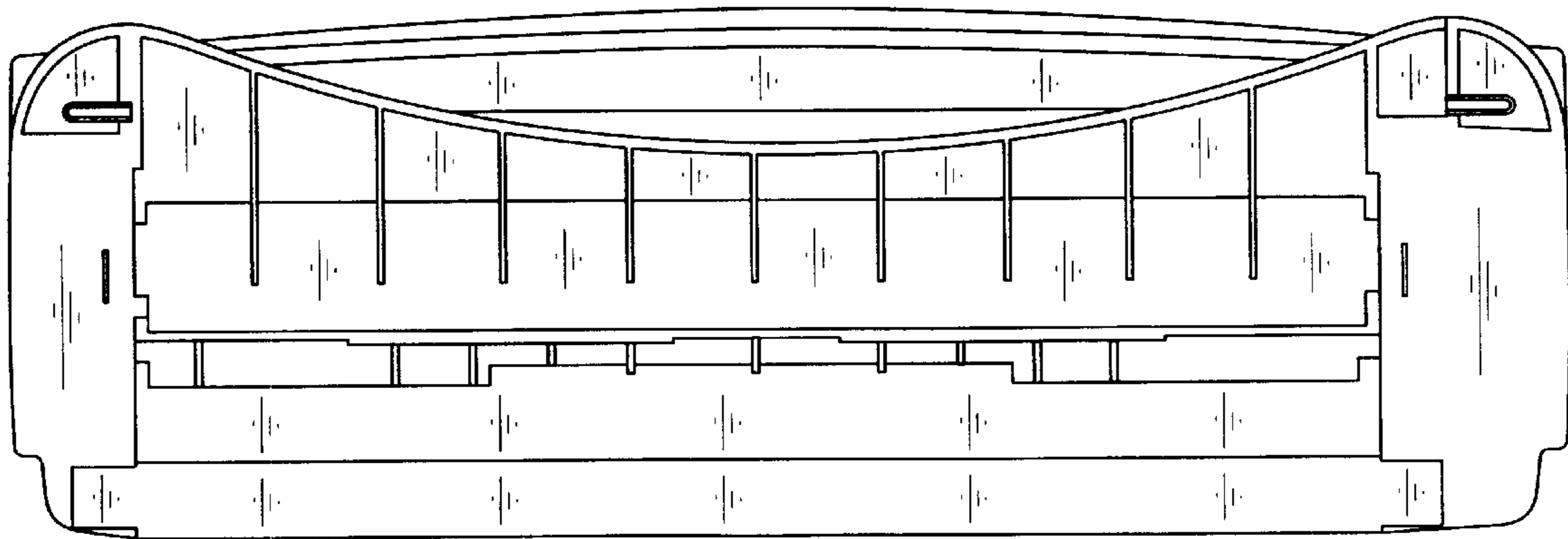
*FIG. 1*



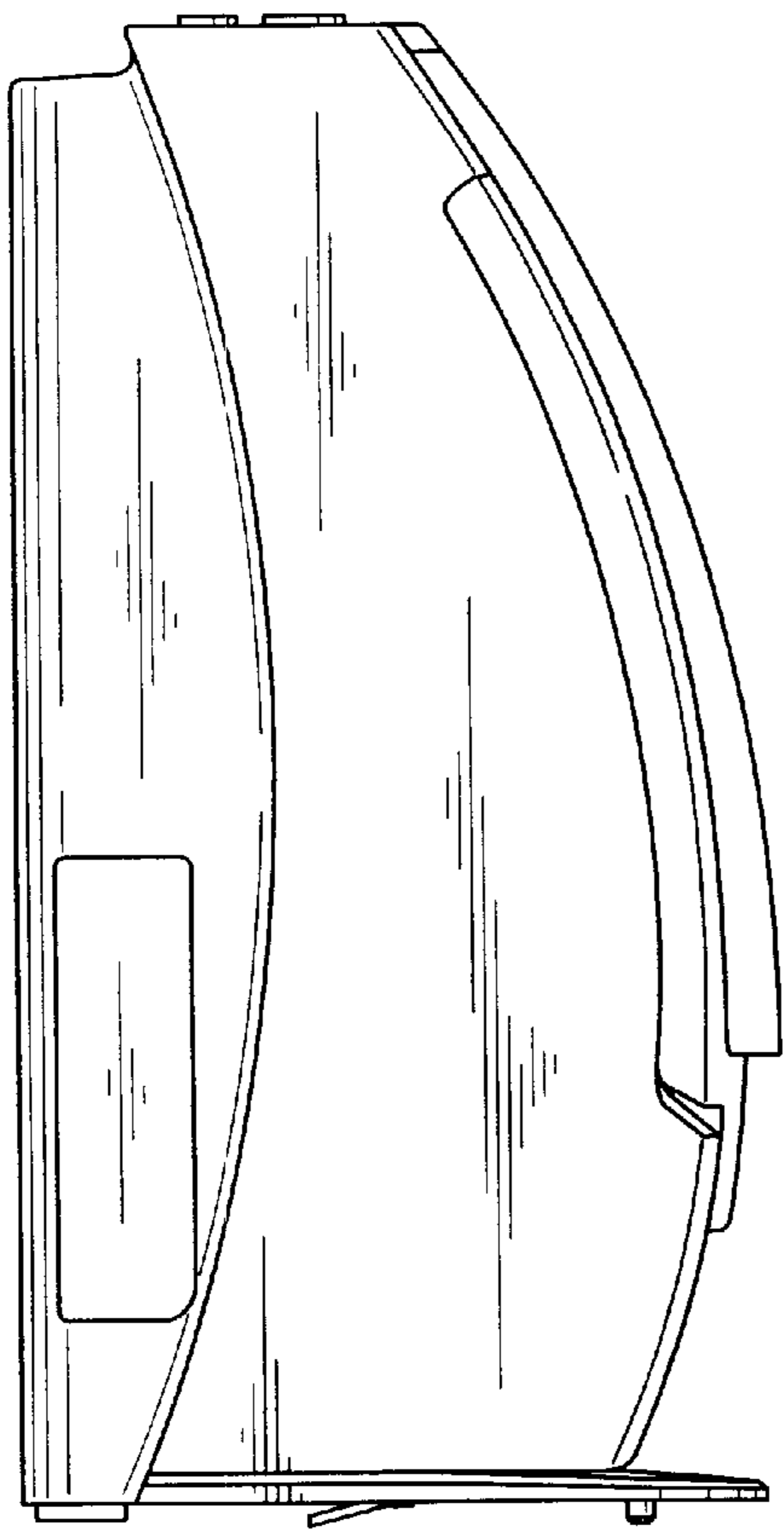
*FIG. 2*



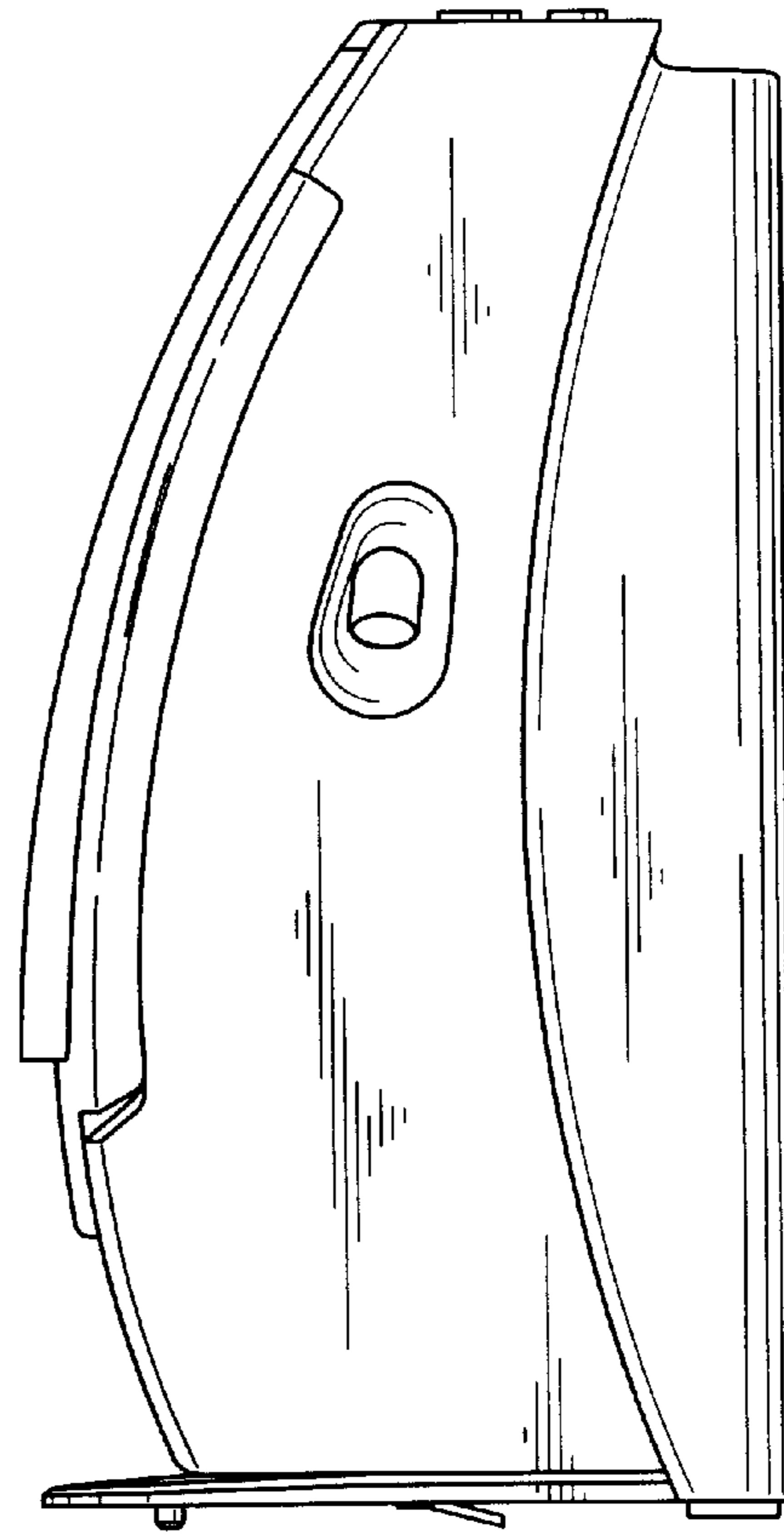
*FIG. 3*



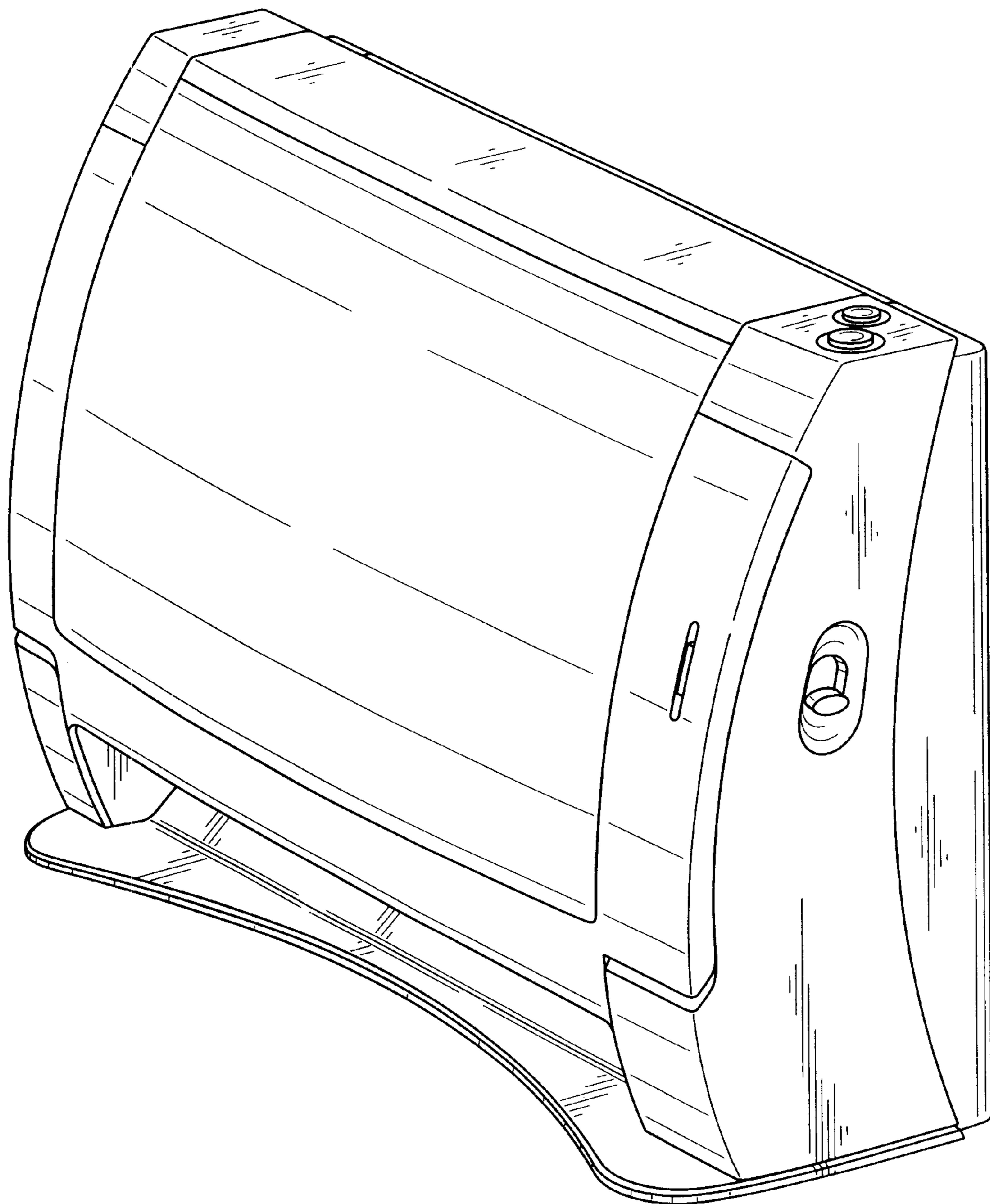
*FIG. 4*



**FIG. 5**



**FIG. 6**



**FIG. 7**