



US00D542291S

(12) **United States Design Patent**
Kang et al.

(10) **Patent No.:** **US D542,291 S**

(45) **Date of Patent:** **** May 8, 2007**

(54) **BIOMETRIC READER**

(75) Inventors: **Steven Kang**, Jericho, NY (US); **Mark Basile**, Jericho, NY (US)

(73) Assignee: **bioMETRX, Inc.**, Jericho, NY (US)

(**) Term: **14 Years**

(21) Appl. No.: **29/252,518**

(22) Filed: **Jan. 24, 2006**

(51) **LOC (8) Cl.** **14-02**

(52) **U.S. Cl.** **D14/384**

(58) **Field of Classification Search** D14/383-386,
D14/345; 356/71; 235/380, 382.5; 355/64,
355/65, 75, 81; 283/68-70; 382/124-126,
382/116

See application file for complete search history.

(56) **References Cited**

U.S. PATENT DOCUMENTS

D389,817 S	*	1/1998	Umetsu	D14/384
D393,837 S	*	4/1998	Umetsu et al.	D14/384
5,815,252 A	*	9/1998	Price-Francis	356/71
5,987,155 A	*	11/1999	Dunn et al.	382/116
6,041,134 A	*	3/2000	Merjanian	382/126
D425,881 S	*	5/2000	Borza	D14/384
D429,725 S	*	8/2000	Morimiya	D14/384

6,111,977 A	*	8/2000	Scott et al.	382/124
D443,614 S	*	6/2001	Do et al.	D14/345
6,263,090 B1	*	7/2001	Scott et al.	382/124
D478,905 S	*	8/2003	Byrne et al.	D14/384
D487,266 S	*	3/2004	Morimiya	D14/384
D494,175 S	*	8/2004	Kawasaki	D14/384

* cited by examiner

Primary Examiner—Freda S. Nunn

(74) *Attorney, Agent, or Firm*—Collard & Roe, P.C.

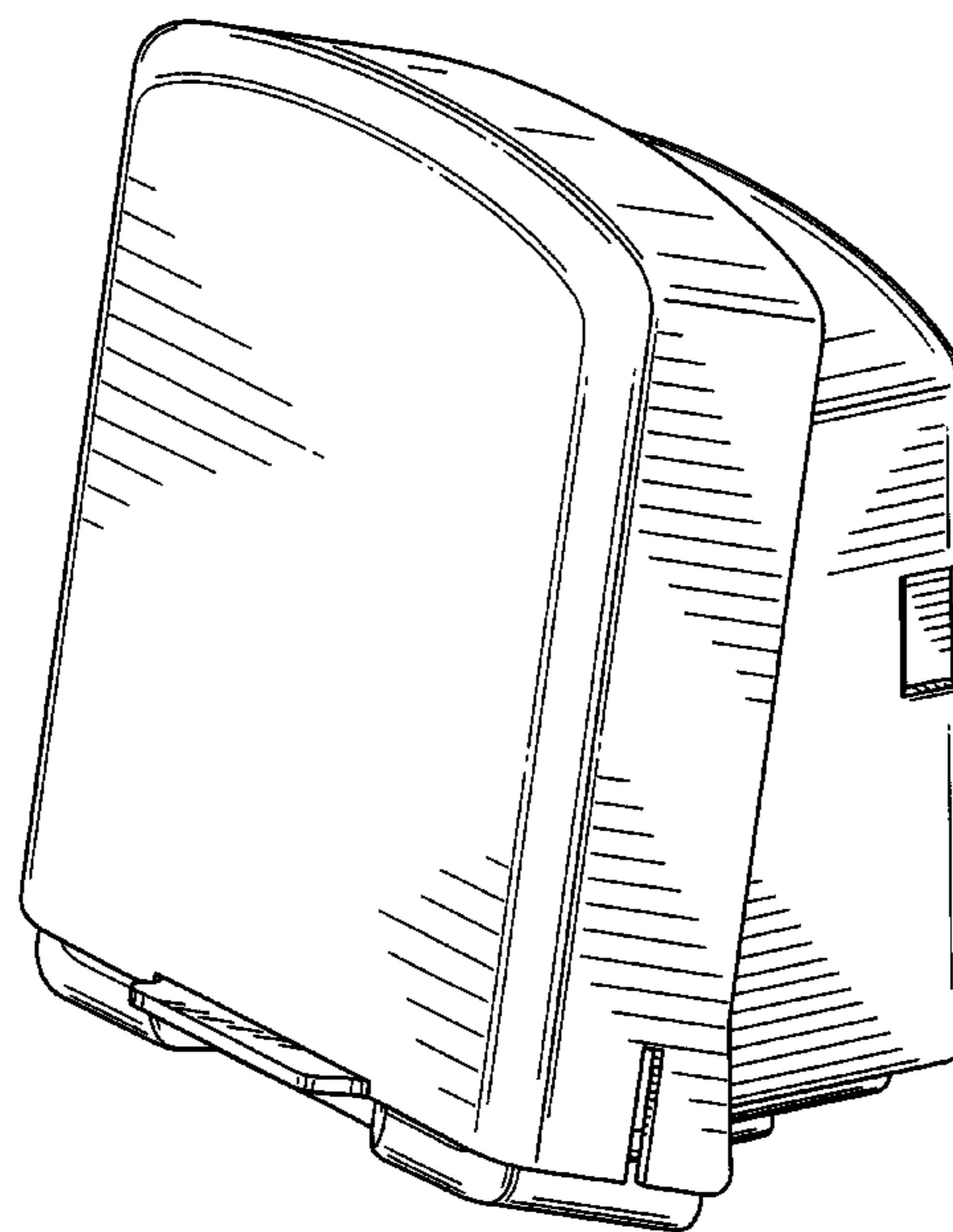
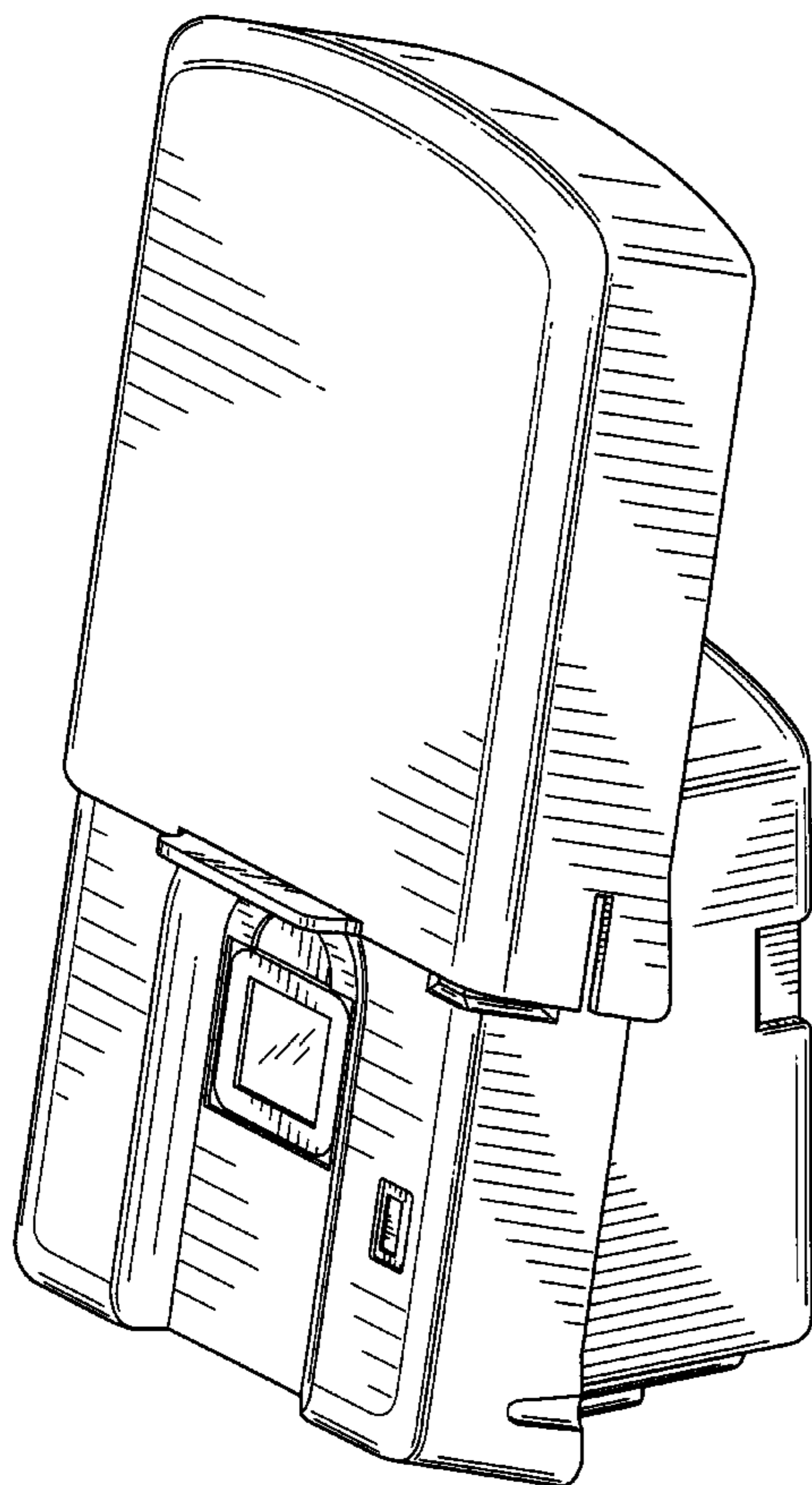
(57) **CLAIM**

The ornamental design for a biometric reader, as shown and described.

DESCRIPTION

FIG. 1 is a perspective front-side view of the biometric device in an open position;
 FIG. 2 is a perspective front-side view of the biometric device in a closed position;
 FIG. 3 is a front view of the device in an open position;
 FIG. 4 is a right-side view of the device in an open position based upon the view in FIG. 3;
 FIG. 5 is a back view of the device in an open position;
 FIG. 6 is a left-side view of the device in an open position based upon the view in FIG. 3;
 FIG. 7 is a top view of the device based upon FIG. 3; and,
 FIG. 8 is a bottom view of the device based upon FIG. 3.

1 Claim, 7 Drawing Sheets



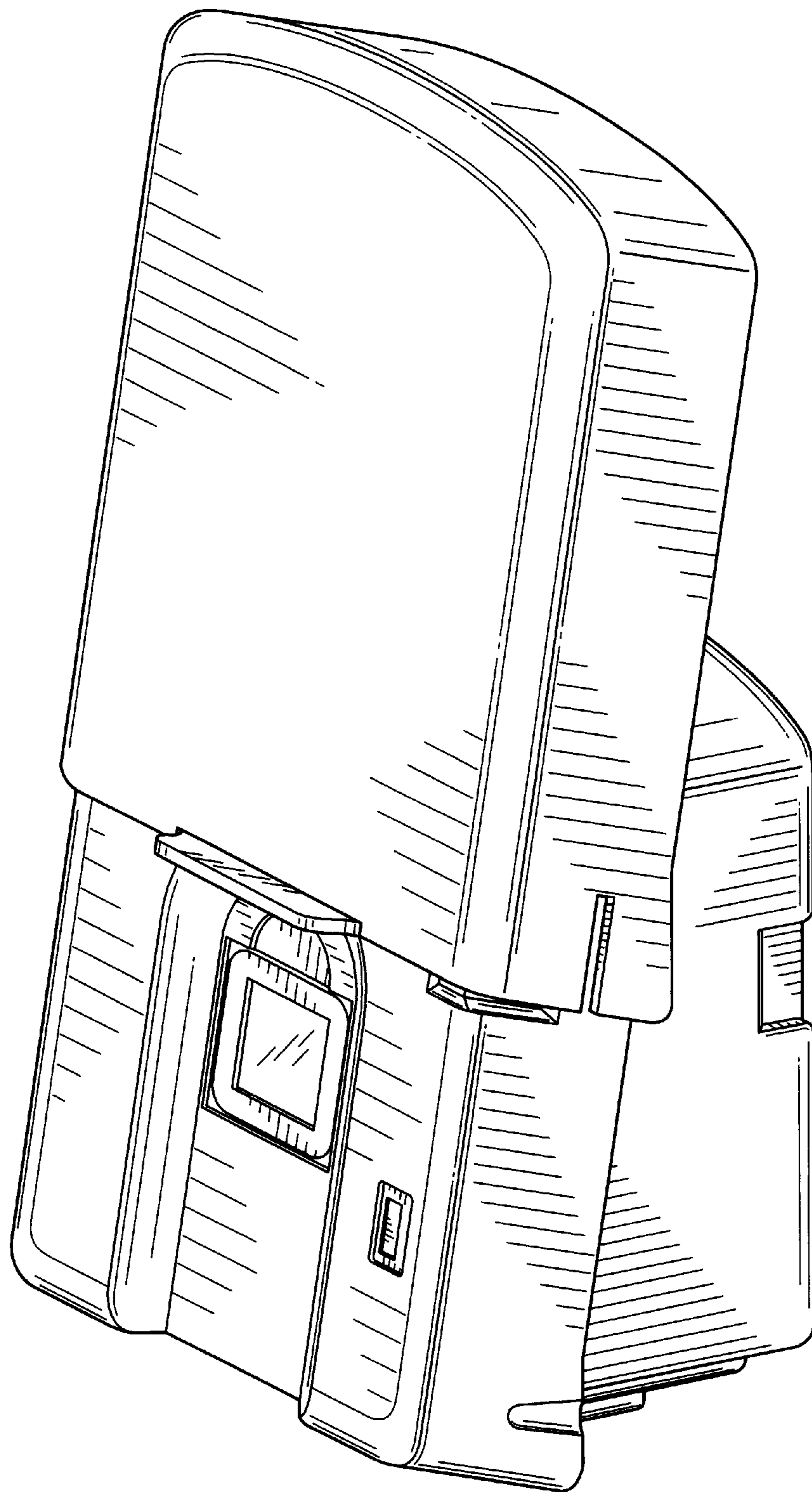


FIG. 1

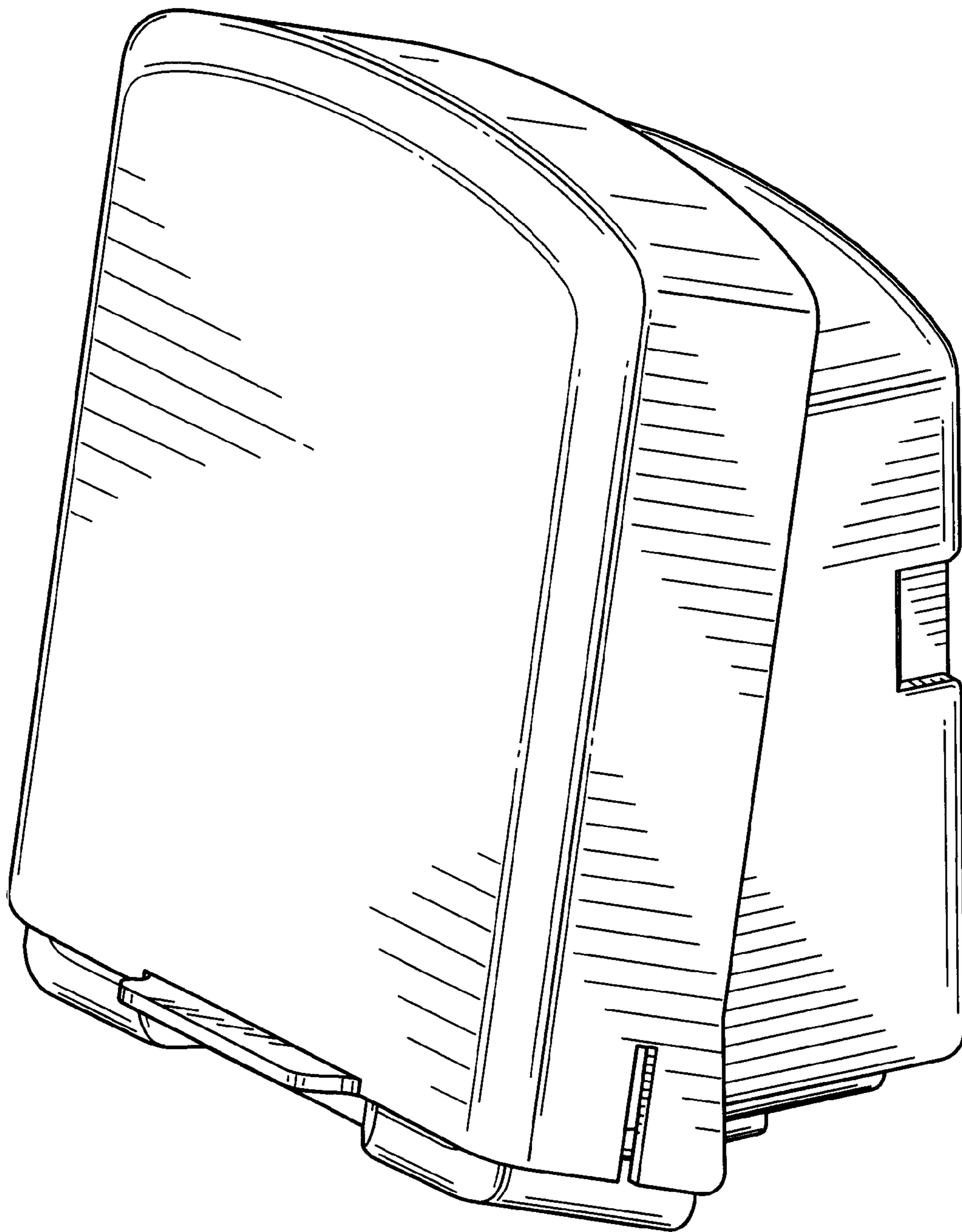


FIG. 2

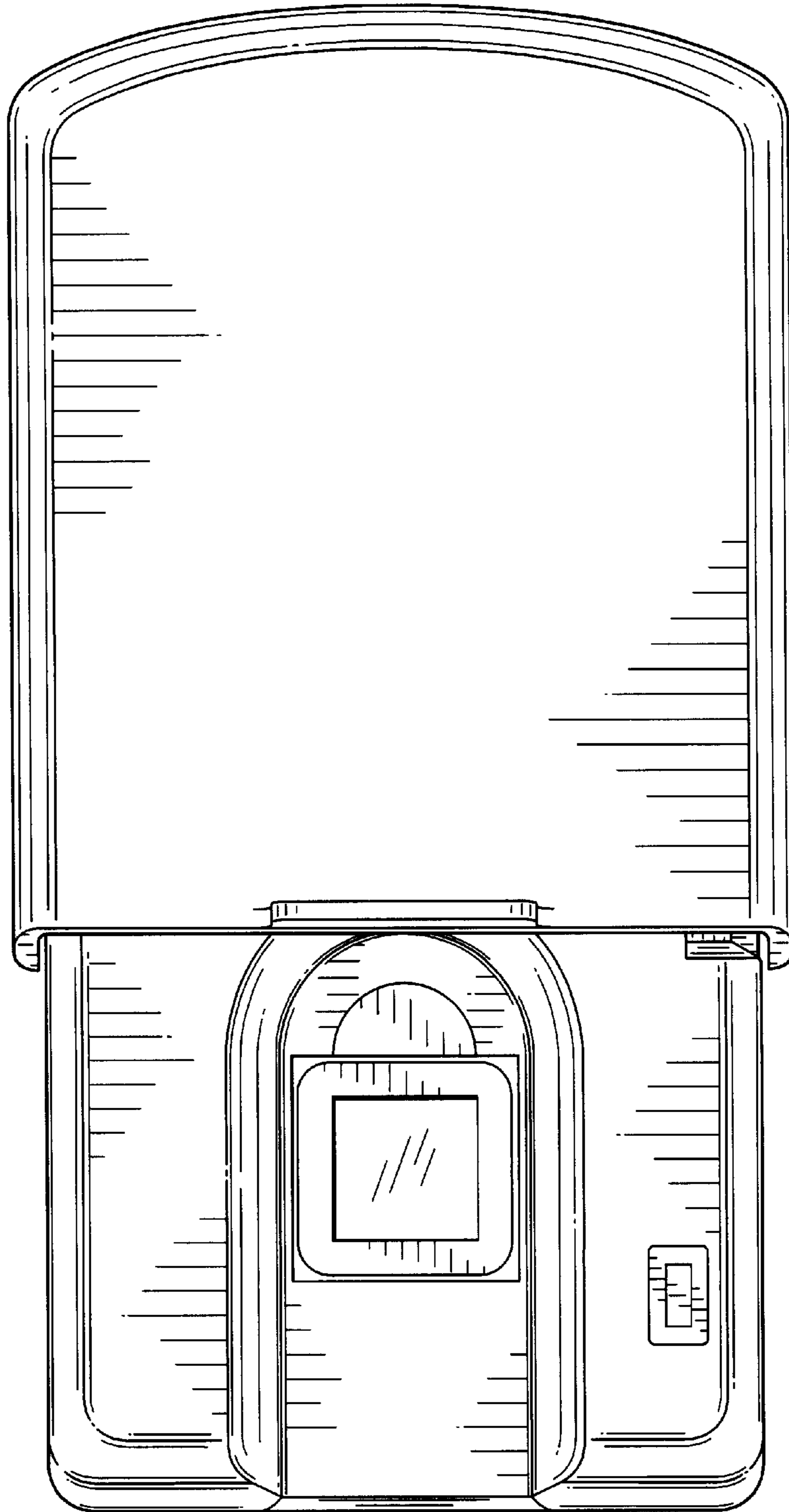


FIG. 3

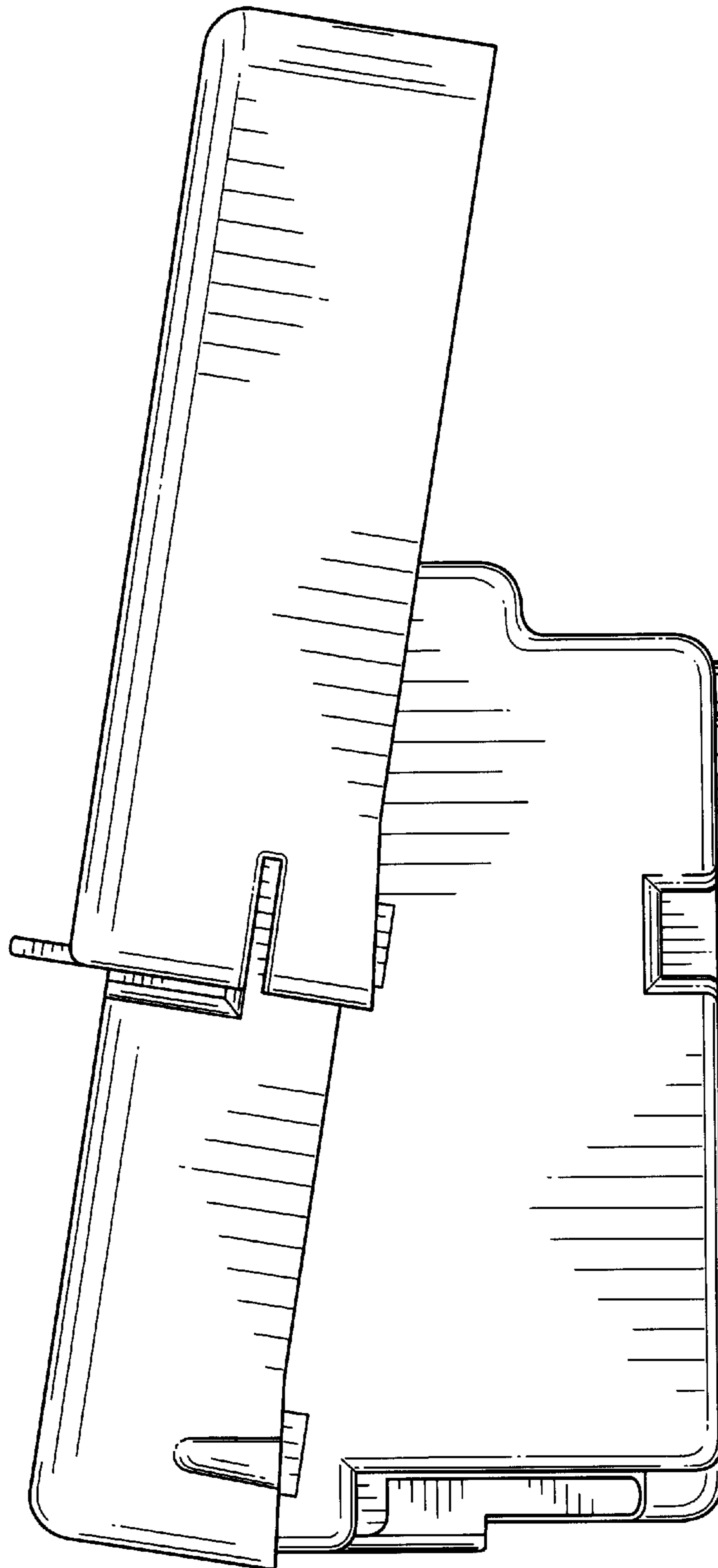


FIG. 4

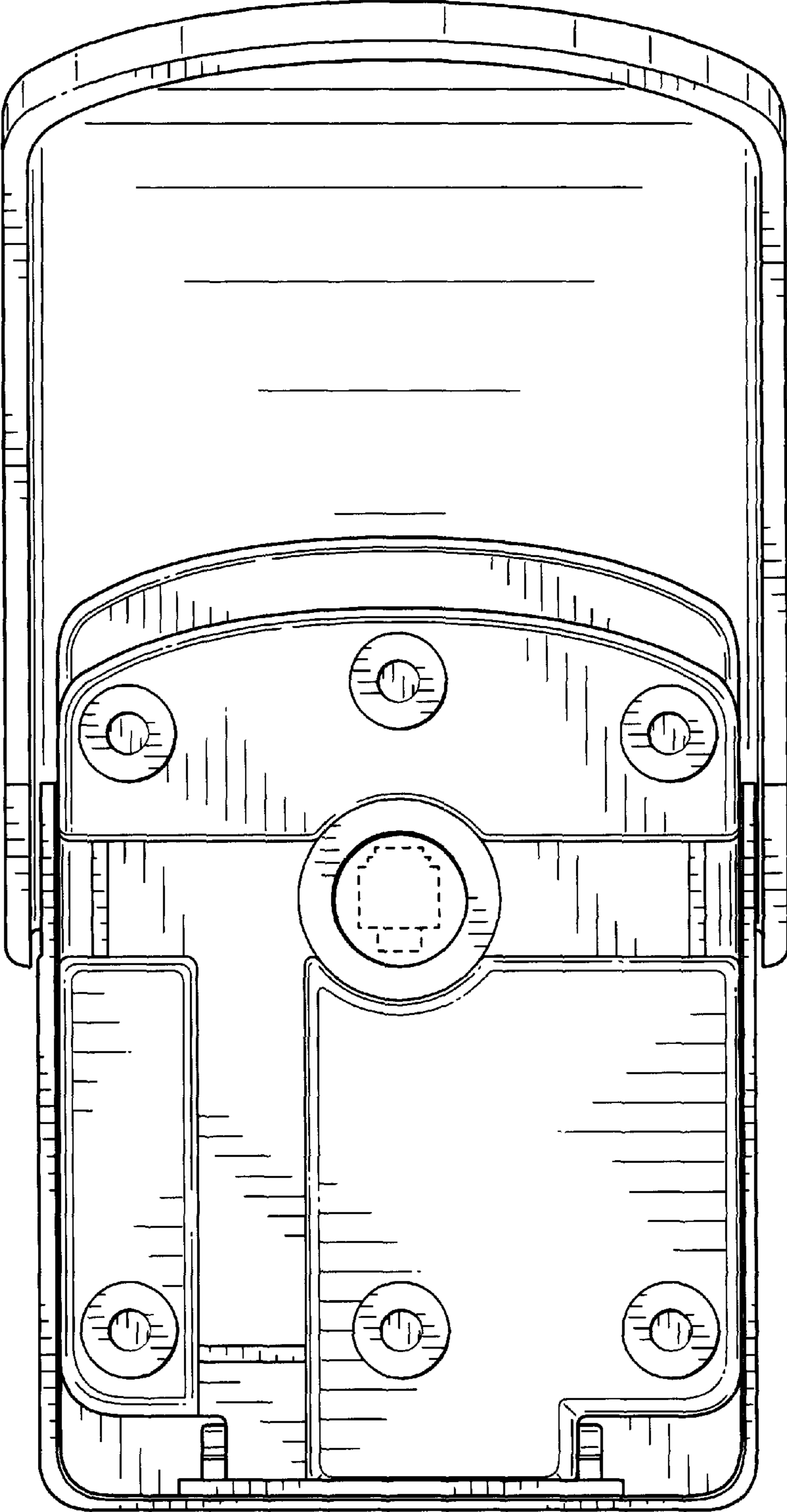


FIG. 5

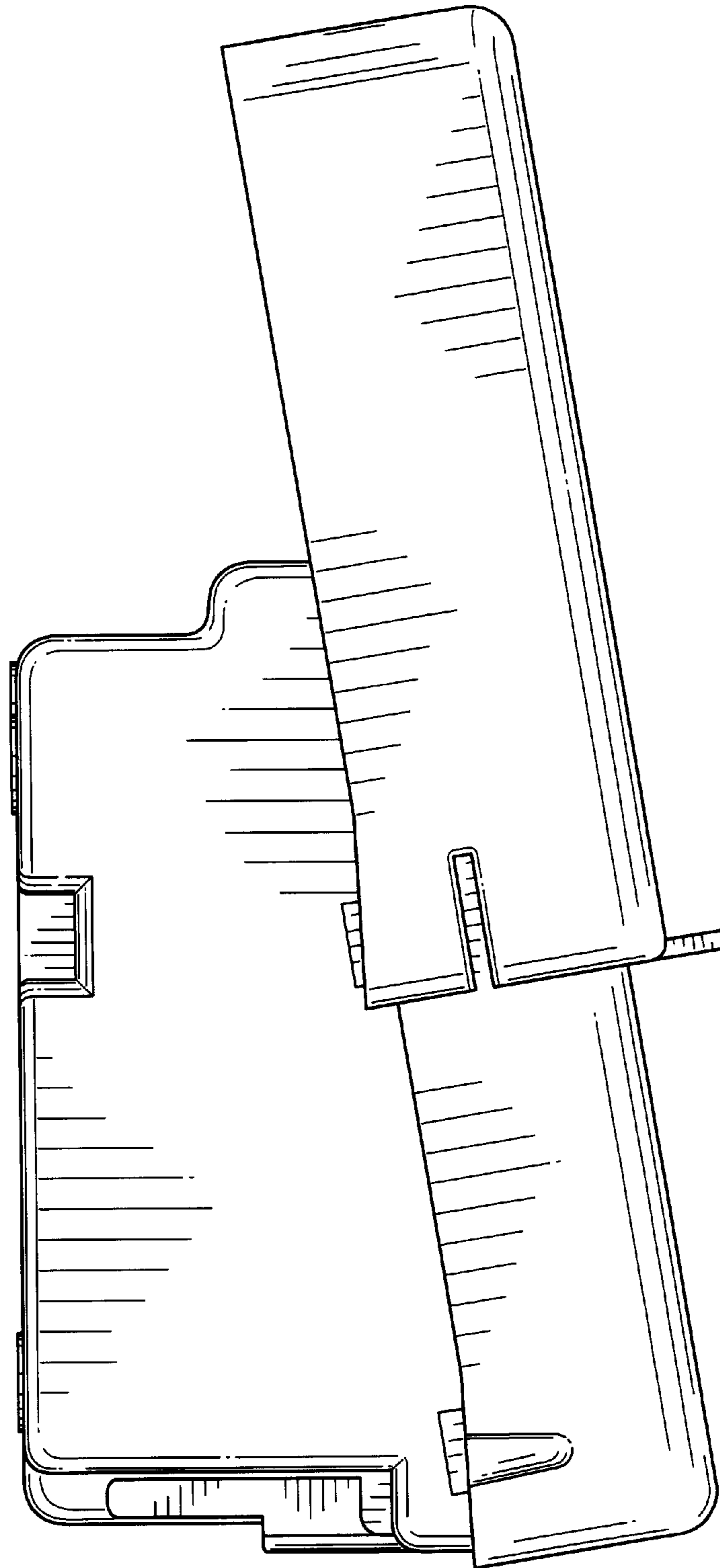


FIG. 6

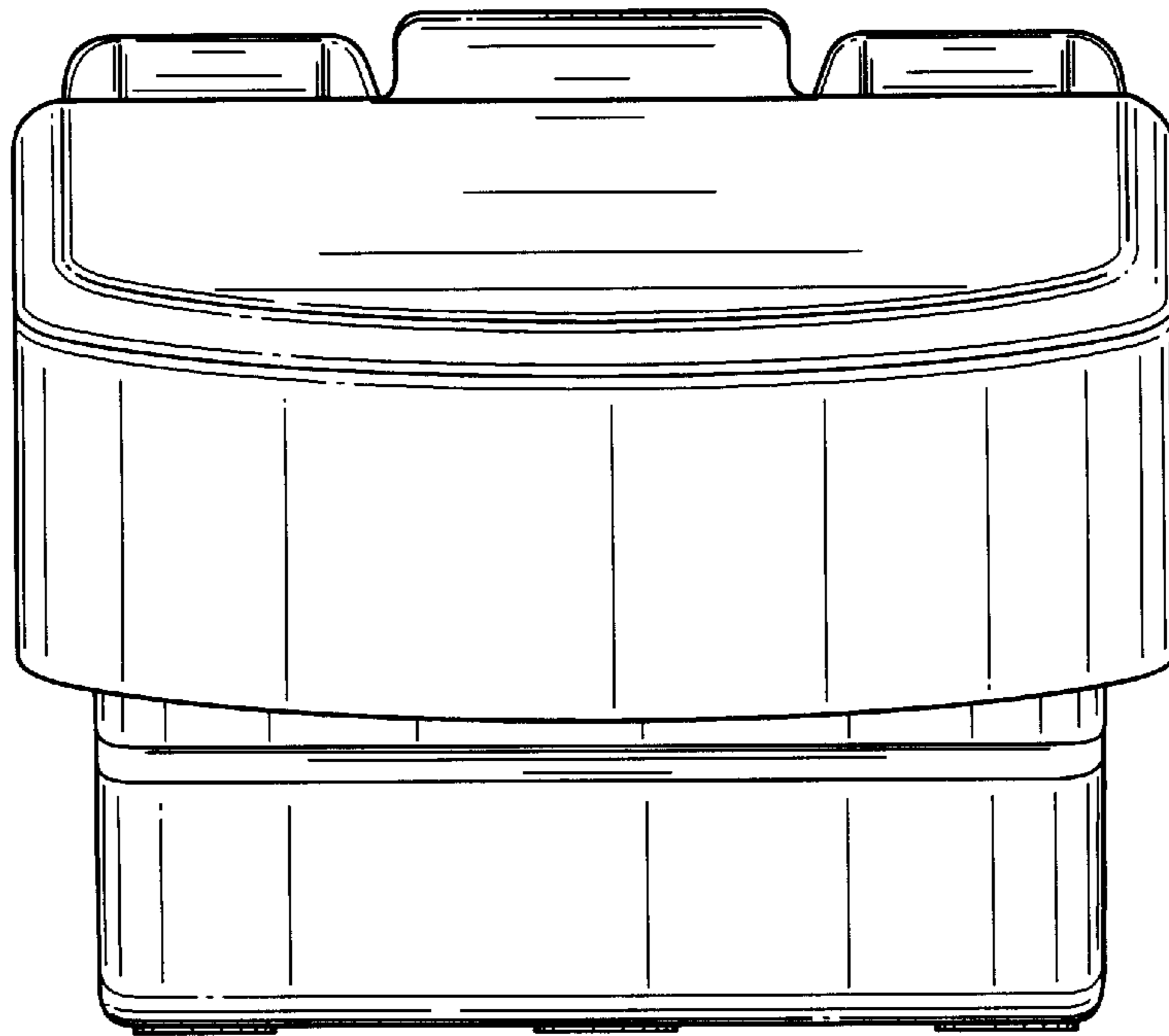


FIG. 7

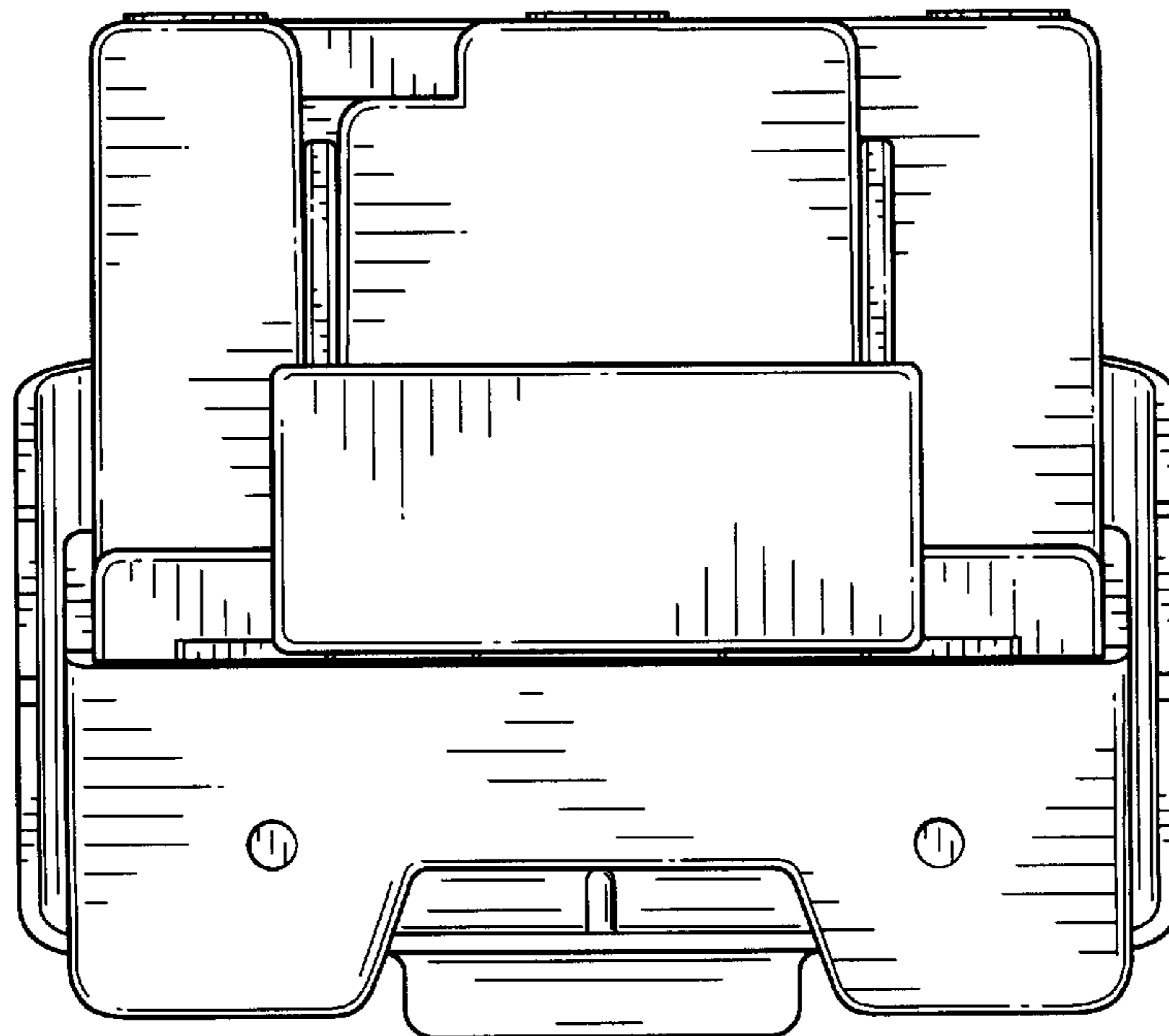


FIG. 8