



US00D542290S

(12) **United States Design Patent**
Hosoya

(10) **Patent No.:** **US D542,290 S**

(45) **Date of Patent:** **** *May 8, 2007**

(54) **OPTICAL DISK DRIVE**

(75) Inventor: **Fumihiko Hosoya**, Musashino (JP)

(73) Assignee: **TEAC Corporation**, Tokyo (JP)

(*) Notice: This patent is subject to a terminal disclaimer.

(**) Term: **14 Years**

(21) Appl. No.: **29/245,875**

(22) Filed: **Dec. 28, 2005**

(30) **Foreign Application Priority Data**

Jul. 5, 2005 (JP) 2005-019498

(51) **LOC (8) Cl.** **14-02**

(52) **U.S. Cl.** **D14/368**

(58) **Field of Classification Search** D14/348,
D14/125, 313, 358, 363, 365-9, 435, 260.1;
D13/162, 182, 184, 199; 360/99.01-99.09,
360/99.11, 99.12, 97.01; 361/690-1; 369/34.01,
369/36.01
See application file for complete search history.

(56) **References Cited**

U.S. PATENT DOCUMENTS

- D372,228 S * 7/1996 Sawada et al. D14/366
- D382,863 S * 8/1997 Horiuchi et al. D14/366
- D385,261 S * 10/1997 Akiba D14/260.1
- 5,784,350 A * 7/1998 Akiba et al. 720/606
- D464,332 S * 10/2002 Kabasawa D14/136

- D478,588 S * 8/2003 Watanabe et al. D14/366
- D482,338 S * 11/2003 Kabasawa et al. D14/129
- 6,765,859 B2 * 7/2004 Akiba 369/249.1
- D495,330 S * 8/2004 Kanatani et al. D14/356
- 6,917,573 B2 * 7/2005 Nakajo et al. 369/53.37
- D518,822 S * 4/2006 Fujimura D14/366
- 2001/0026520 A1 * 10/2001 Watanabe et al. 369/75.2
- 2005/0141356 A1 * 6/2005 Fujisawa 369/30.27

OTHER PUBLICATIONS

IBM PC Best Selection 2002 October ThinkPad product catalogue.

* cited by examiner

Primary Examiner—Robin Webster
Assistant Examiner—Karen E. Patterson
(74) *Attorney, Agent, or Firm*—J.C. Patents

(57) **CLAIM**

The ornamental design for an optical disk drive, as shown and described.

DESCRIPTION

FIG. 1 is a perspective view of an optical disk drive showing my new design.

FIG. 2 is a front view thereof.

FIG. 3 is a rear view thereof.

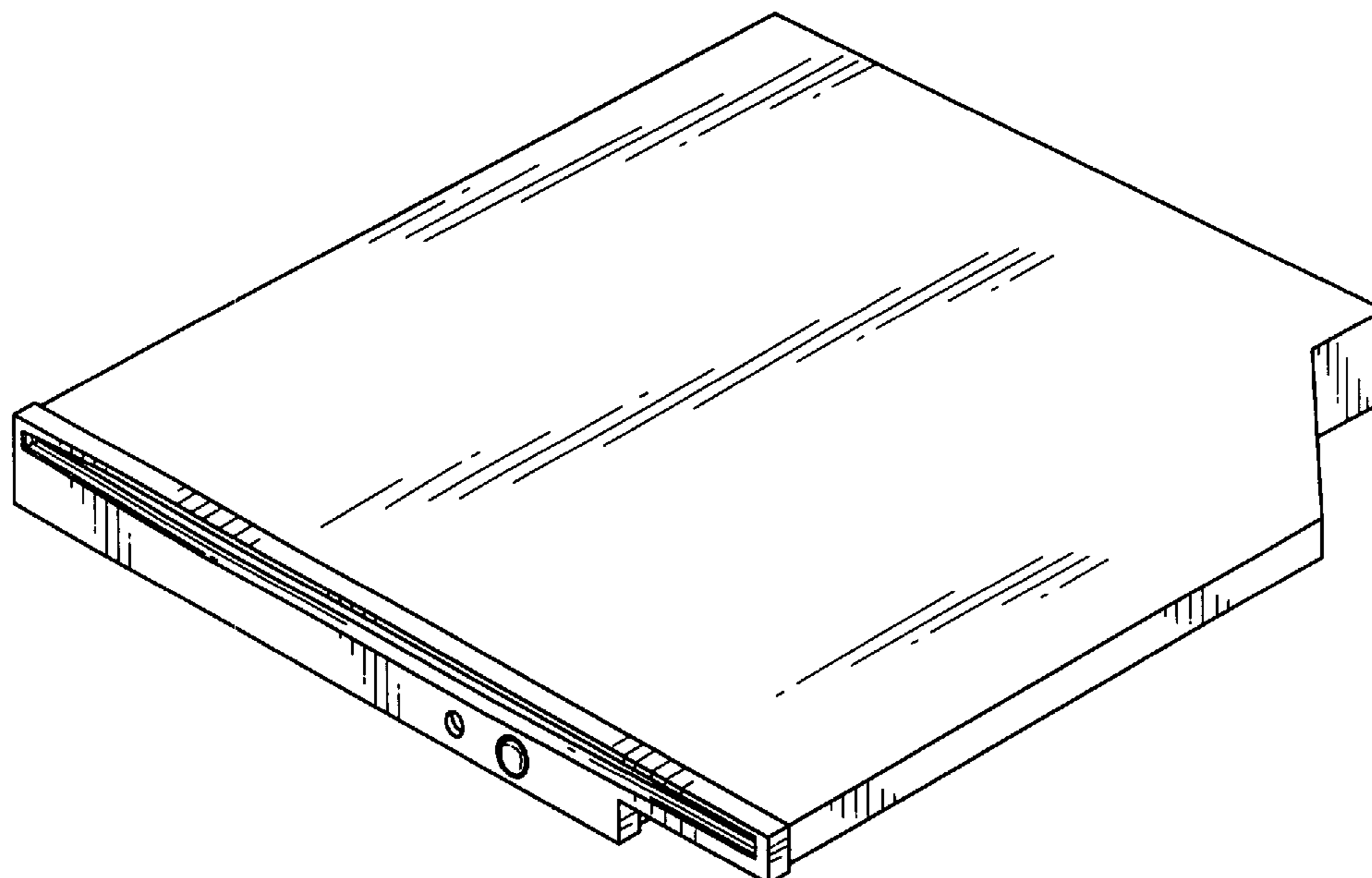
FIG. 4 is a left side view thereof.

FIG. 5 is a right side view thereof.

FIG. 6 is a top plan view thereof; and,

FIG. 7 is a bottom plan view thereof.

1 Claim, 4 Drawing Sheets



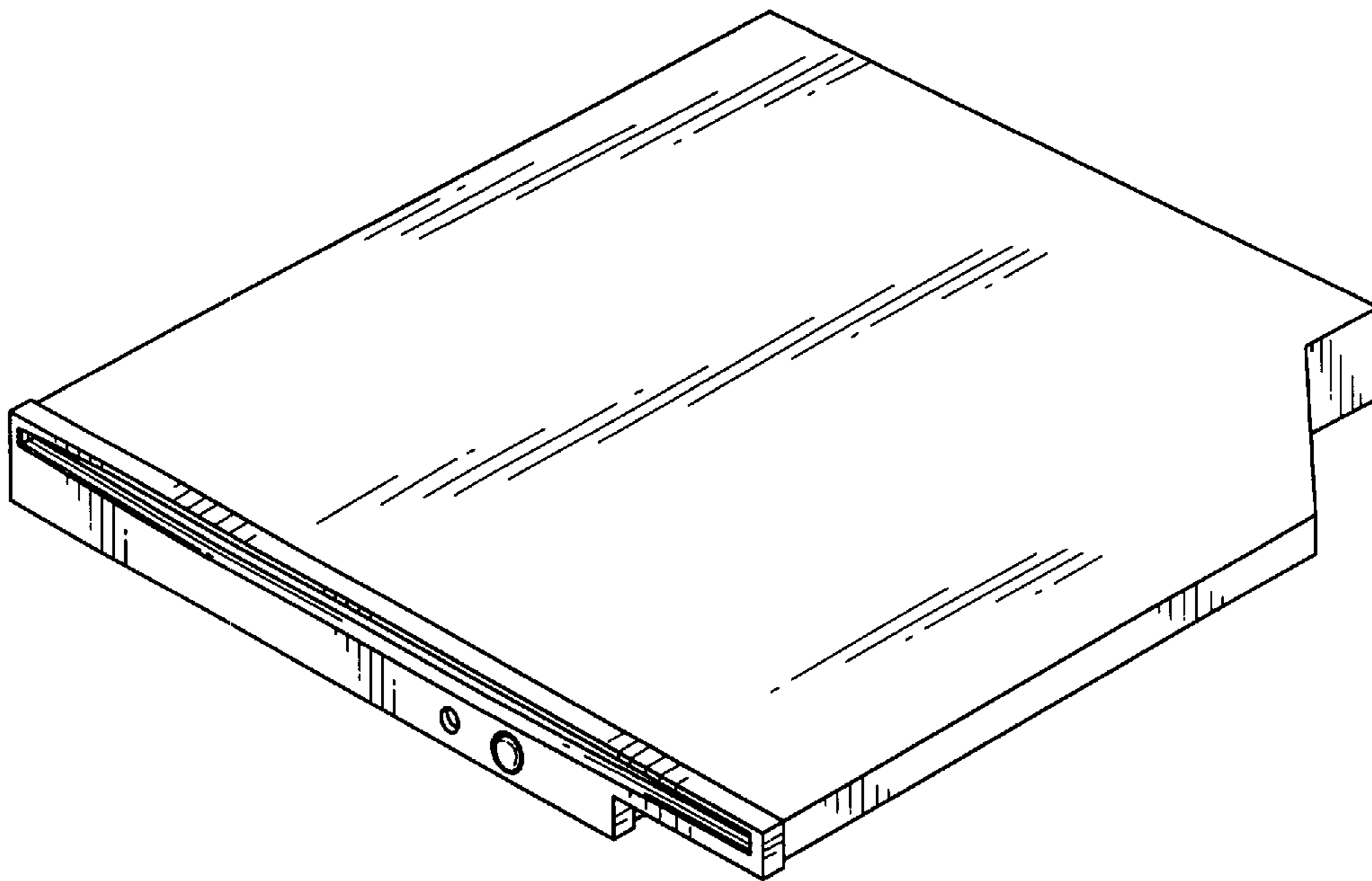


FIG. 1



FIG. 2

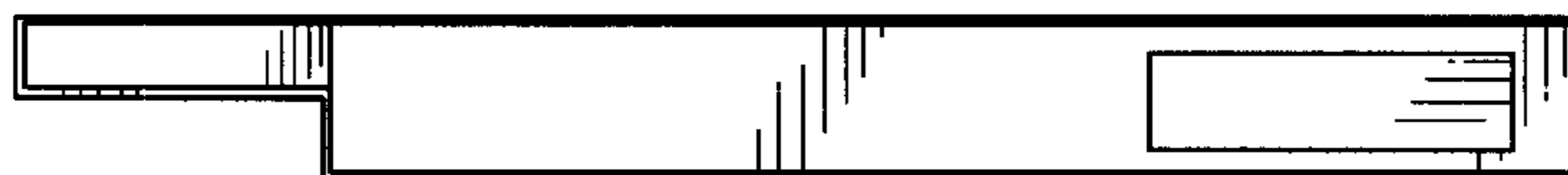


FIG. 3



FIG. 4

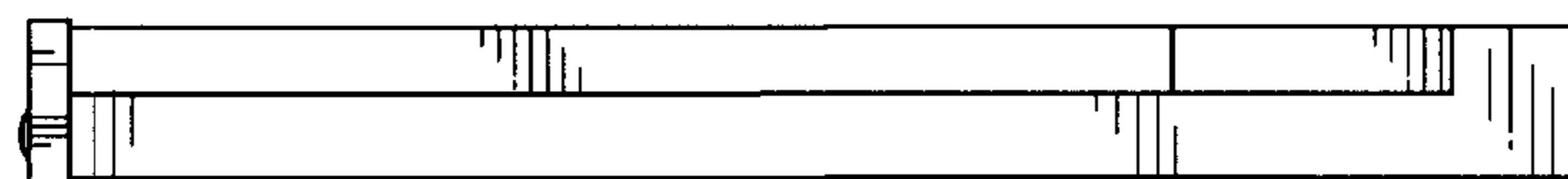


FIG. 5

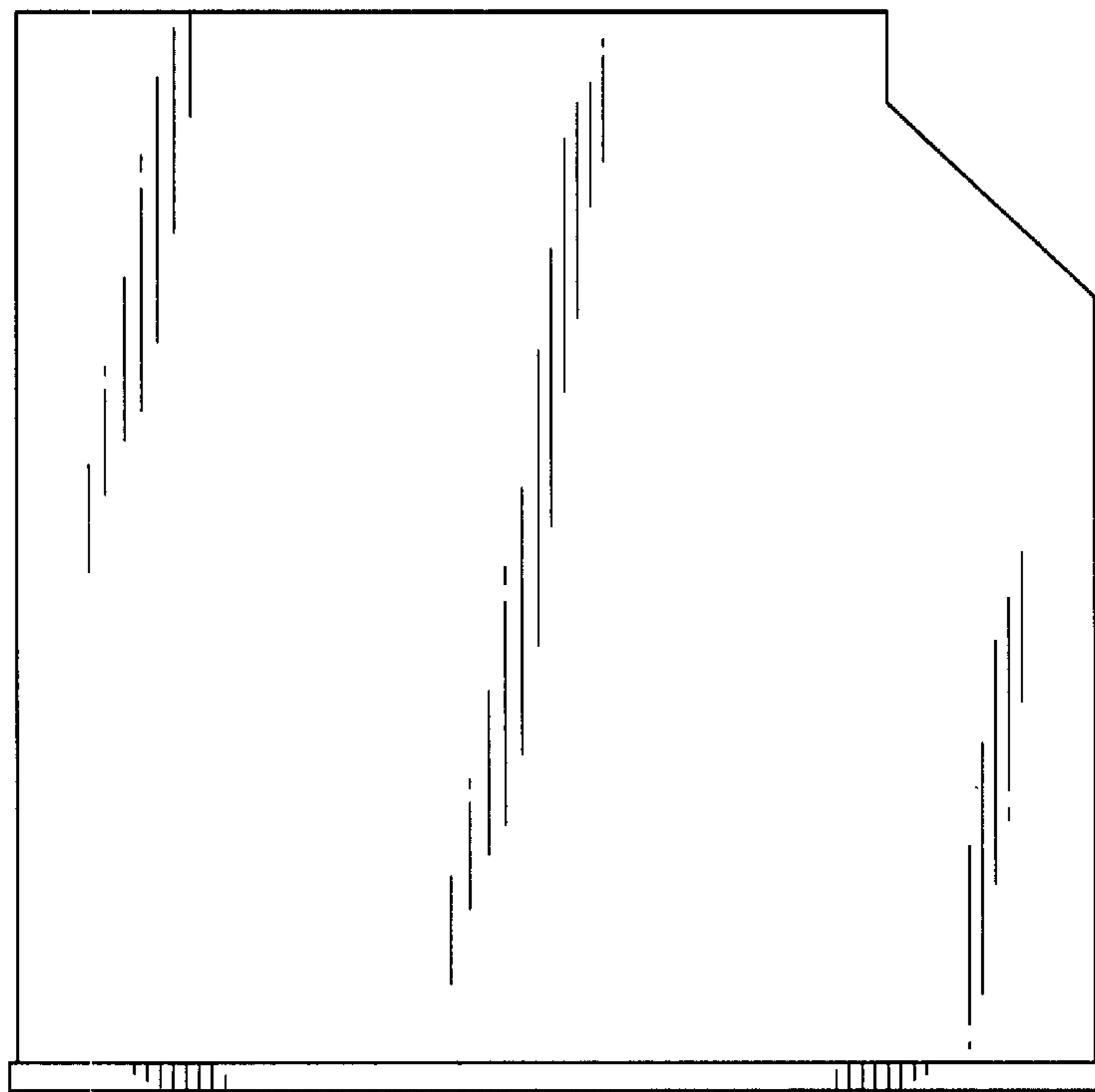


FIG. 6

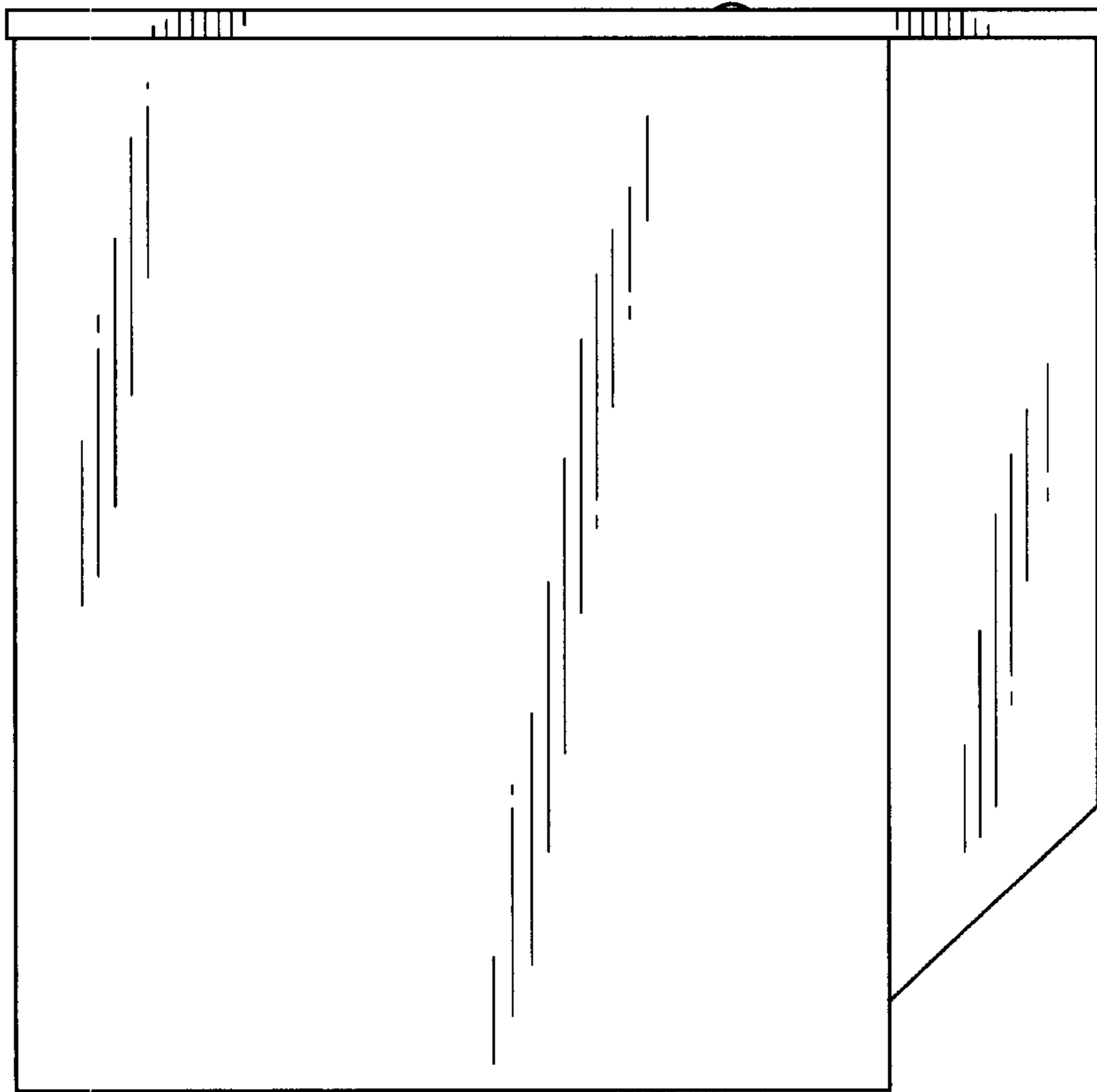


FIG. 7