



US00D542288S

(12) **United States Design Patent** (10) **Patent No.:** **US D542,288 S**  
**Andre et al.** (45) **Date of Patent:** **\*\* May 8, 2007**

(54) **COMPUTING DEVICE**

(75) Inventors: **Bartley K. Andre**, Menlo Park, CA (US); **Daniel J. Coster**, San Francisco, CA (US); **Daniele De Iuliis**, San Francisco, CA (US); **Richard P. Howarth**, San Francisco, CA (US); **Steve Jobs**, Palo Alto, CA (US); **Jonathan P. Ive**, San Francisco, CA (US); **Duncan Robert Kerr**, San Francisco, CA (US); **Shin Nishibori**, San Francisco, CA (US); **Matthew Dean Rohrbach**, San Francisco, CA (US); **Douglas B. Satzger**, Menlo Park, CA (US); **Calvin Q. Seid**, Palo Alto, CA (US); **Christopher J. Stringer**, Portola Valley, CA (US); **Eugene Antony Whang**, San Francisco, CA (US); **Rico Zörkendörfer**, San Francisco, CA (US)

(73) Assignee: **Apple Computer, Inc.**, Cupertino, CA (US)

(\*\*) Term: **14 Years**

(21) Appl. No.: **29/220,036**

(22) Filed: **Dec. 23, 2004**

(51) **LOC (8) Cl.** ..... **14-02**

(52) **U.S. Cl.** ..... **D14/314**

(58) **Field of Classification Search** ..... D14/314, D14/348, 363-369, 354-356; D13/162, 184, D13/199; 312/223.1-223.3; 360/99.01-99.12; 369/34.01, 36.01; 361/680-686, 690-696  
See application file for complete search history.

(56) **References Cited**

**U.S. PATENT DOCUMENTS**

D347,212 S \* 5/1994 Riley ..... D14/355

D373,117 S \* 8/1996 Barthelemy et al. .... D14/353  
D426,831 S \* 6/2000 Hu ..... D14/348  
D435,845 S \* 1/2001 Piersol ..... D14/355  
D461,187 S \* 8/2002 Andre et al. .... D14/356  
D494,579 S \* 8/2004 Chuang et al. .... D14/314

**FOREIGN PATENT DOCUMENTS**

JP 1241896 6/2005

**OTHER PUBLICATIONS**

“Eyegonomic Eyebox,” downloaded on Feb. 7, 2005, <http://www.eyegonomic.com/page=205>.

Notice of Reason(s) for Refusal, re; corresponding Japanese Design Application No. 2005-017533, Oct. 14, 2005.

\* cited by examiner

*Primary Examiner*—Freda S. Nunn

(74) *Attorney, Agent, or Firm*—Beyer Weaver & Thomas, LLP

(57) **CLAIM**

We claim the ornamental design for a computing device, substantially as shown and described.

**DESCRIPTION**

FIG. 1 is a front top perspective view of a computing device in accordance with the present design. The computing device may for example correspond to a personal computer. FIG. 2 is a rear bottom perspective view of the computing device.

FIG. 3 is a front view for the computing device.

FIG. 4 is a rear view for the computing device.

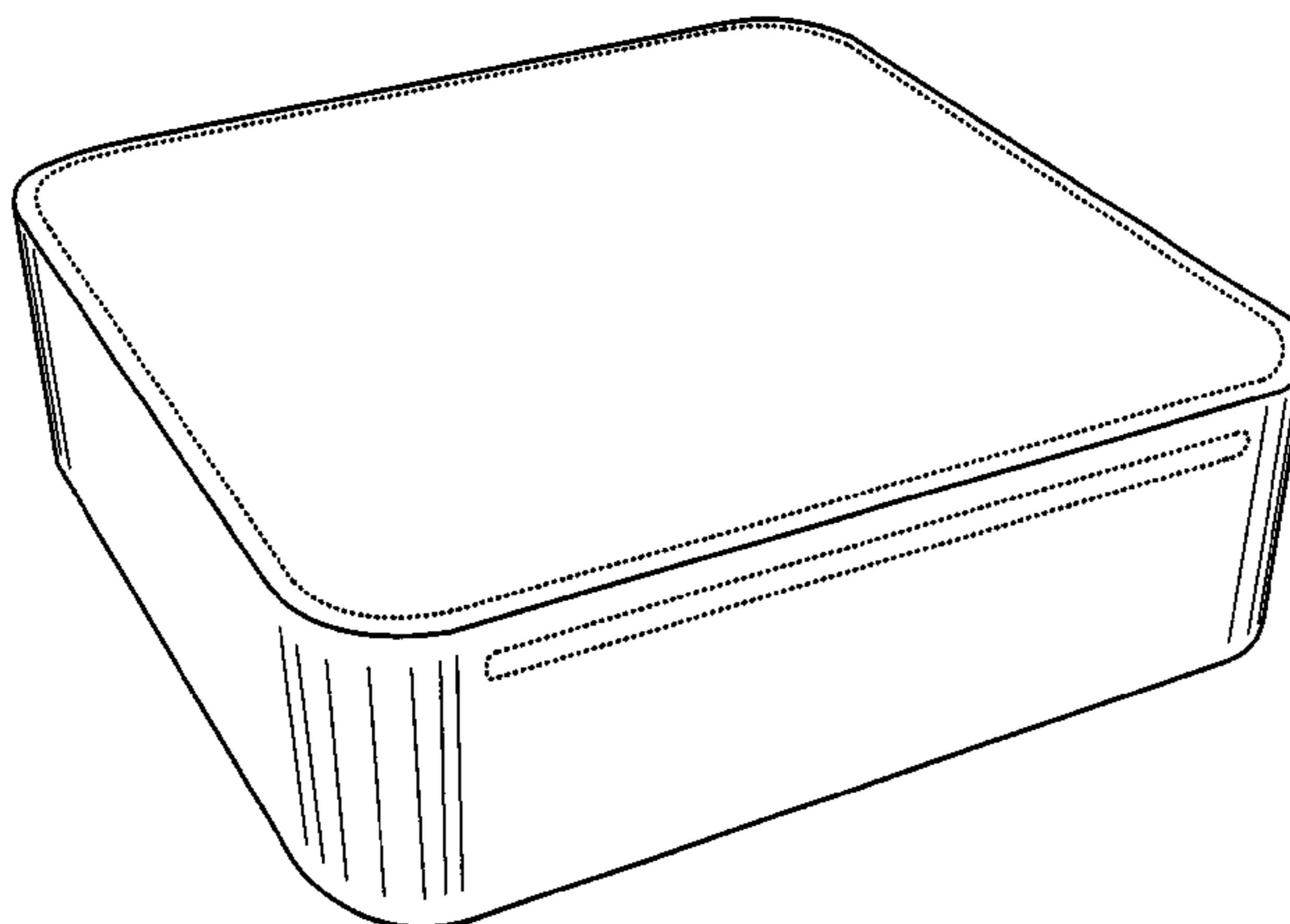
FIG. 5 is a right side view of the computing device.

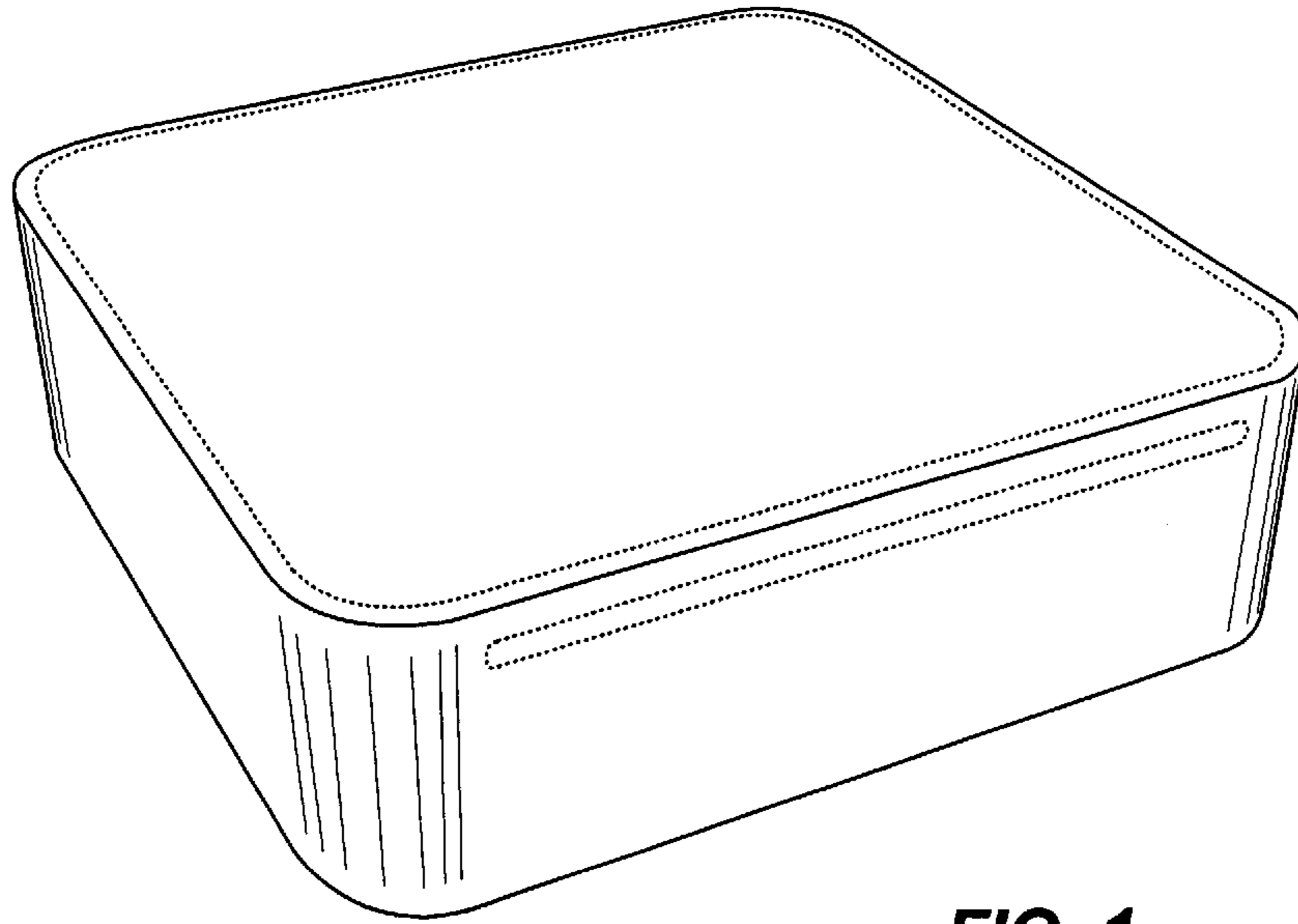
FIG. 6 is a left side view for the computing device.

FIG. 7 is a top view for the computing device; and,

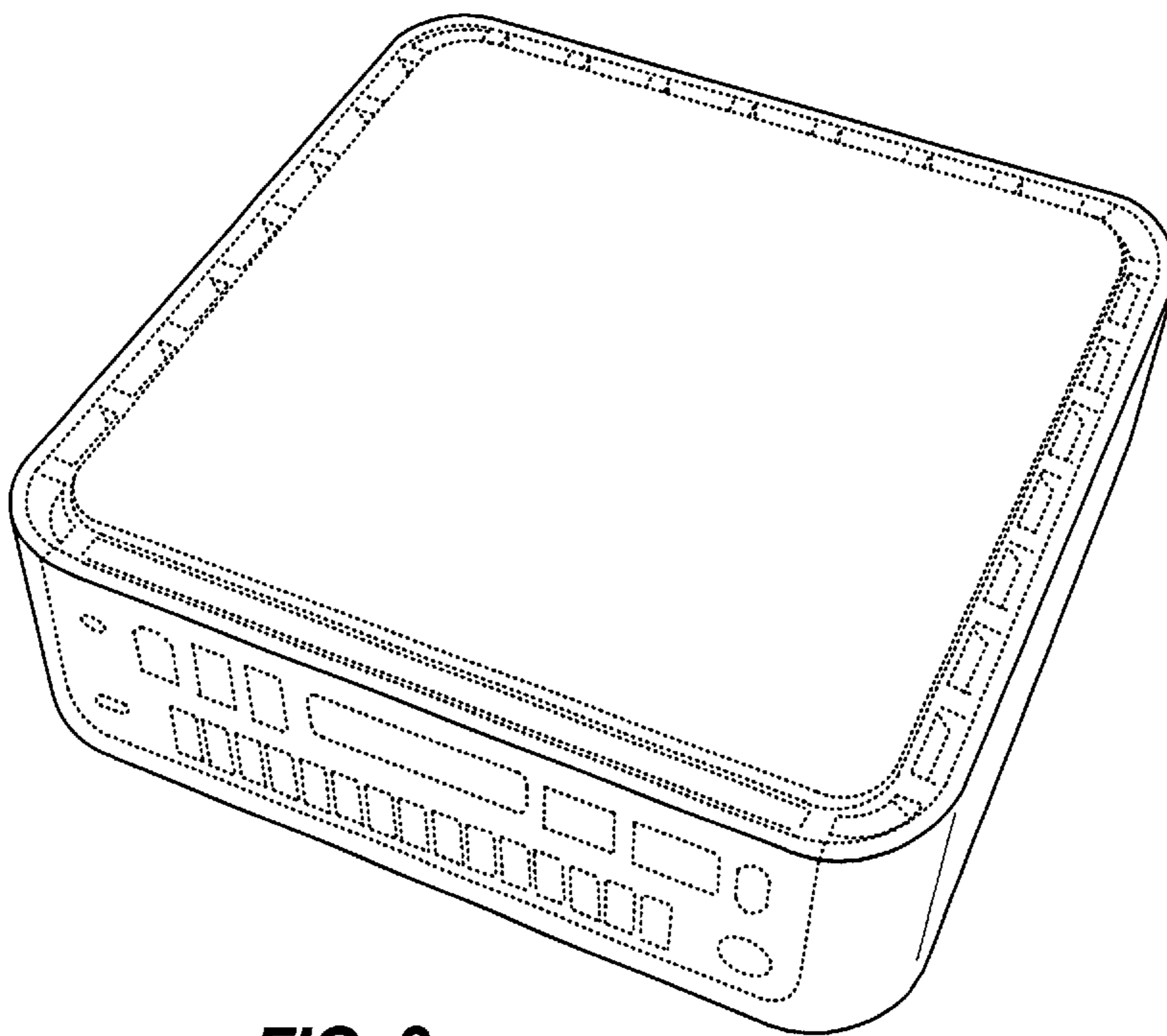
FIG. 8 is a bottom view for the computing device.

**1 Claim, 3 Drawing Sheets**

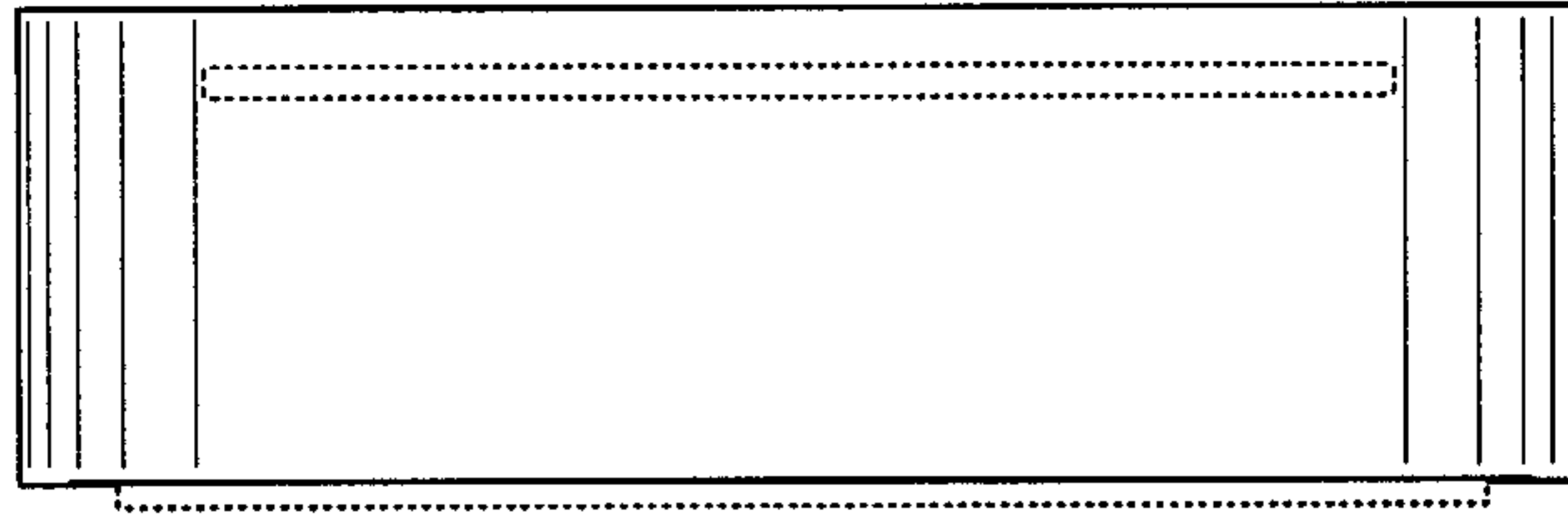




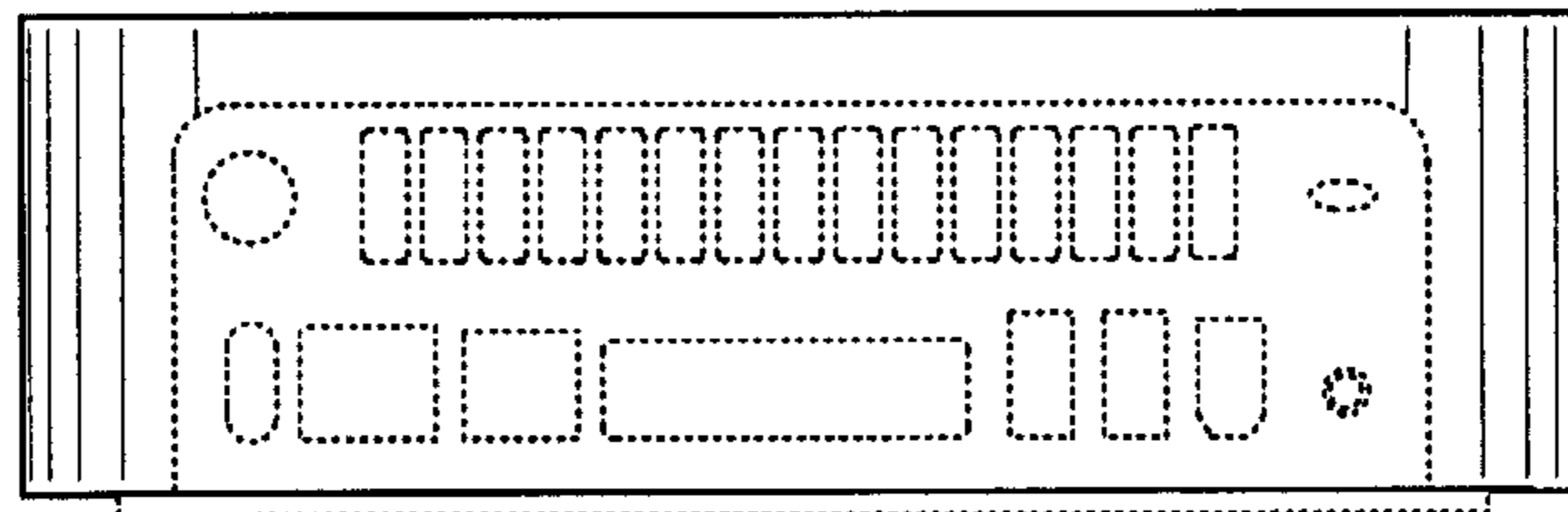
**FIG. 1**



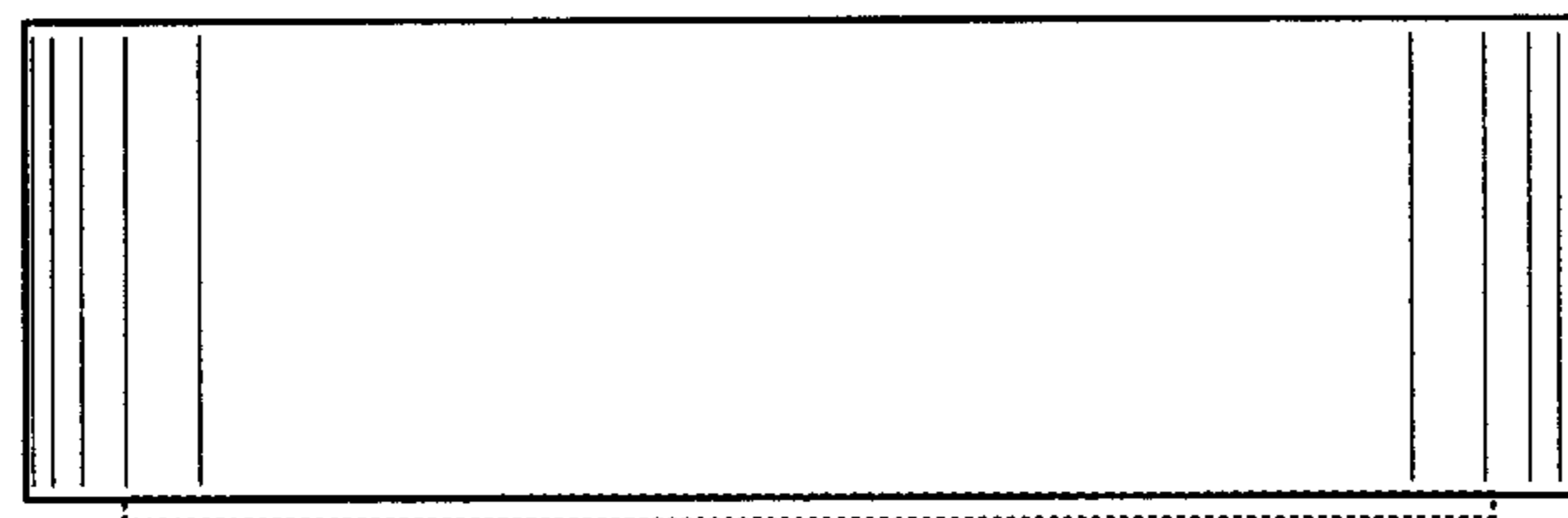
**FIG. 2**



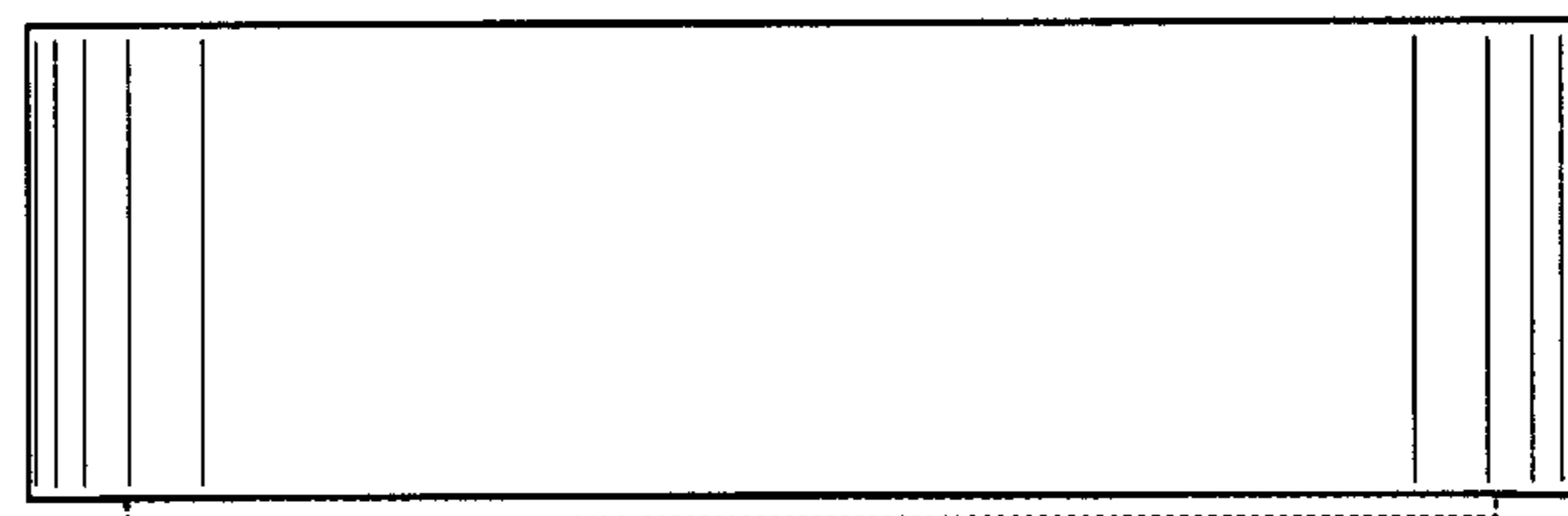
**FIG. 3**



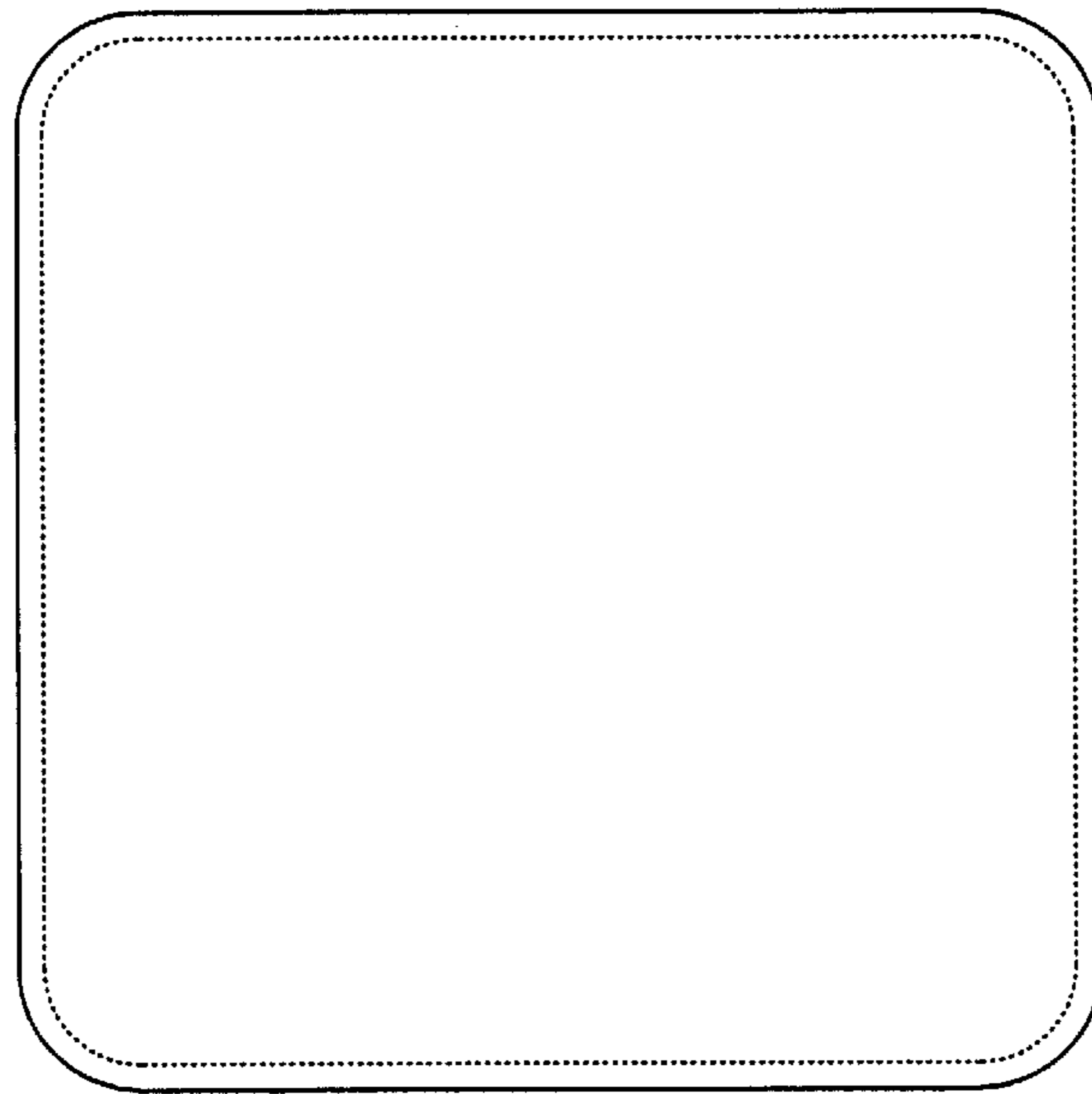
**FIG. 4**



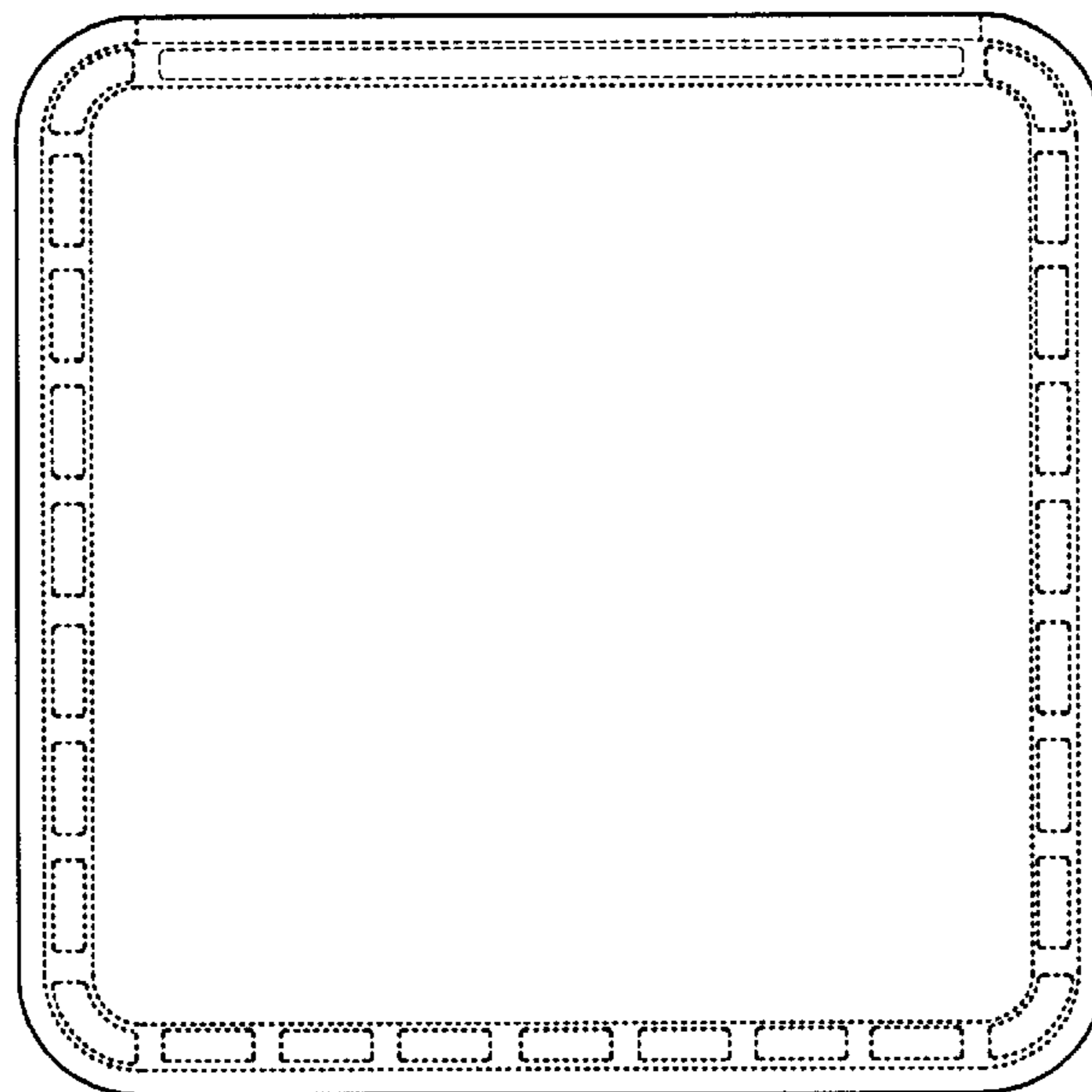
**FIG. 5**



**FIG. 6**



**FIG. 7**



**FIG. 8**