



US00D542279S

(12) **United States Design Patent**  
**Chan**

(10) **Patent No.:** **US D542,279 S**

(45) **Date of Patent:** **\*\* May 8, 2007**

(54) **DOCKING STATION WITH A SPEAKER**

(75) Inventor: **Raymond Chan**, Hong Kong (CN)

(73) Assignee: **IDT Sonicvision Limited**, Kowloon (HK)

(\*\*) Term: **14 Years**

(21) Appl. No.: **29/216,379**

(22) Filed: **Nov. 2, 2004**

(30) **Foreign Application Priority Data**

Sep. 30, 2004 (HK) ..... 0412224

(51) **LOC (8) Cl.** ..... **14-01**

(52) **U.S. Cl.** ..... **D14/216; D14/265; D14/217; D14/434**

(58) **Field of Classification Search** ..... D14/204, D14/168, 215-217, 265, 434, 172; D13/184; 361/679-686, 330-305, 361-364, 386; 181/148, 181/153, 198, 199

See application file for complete search history.

(56) **References Cited**

**U.S. PATENT DOCUMENTS**

5,191,177 A \* 3/1993 Chi ..... 181/153  
5,319,164 A \* 6/1994 Shen ..... 181/150  
5,444,194 A \* 8/1995 Reinke ..... 181/150

D376,585 S \* 12/1996 Wathen et al. .... D14/434  
D440,977 S \* 4/2001 Weisz et al. .... D14/434  
D461,178 S \* 8/2002 Solland ..... D14/216  
D504,675 S \* 5/2005 Dayan ..... D14/216  
D514,576 S \* 2/2006 Sung et al. .... D14/434  
D518,029 S \* 3/2006 Tsang ..... D14/216  
7,110,252 B2 \* 9/2006 Liang et al. .... 361/686  
D530,311 S \* 10/2006 Shake ..... D14/216  
7,145,603 B2 \* 12/2006 Whitby et al. .... 348/375

\* cited by examiner

*Primary Examiner*—Prabhakar Deshmukh

(74) *Attorney, Agent, or Firm*—Alix, Yale & Ristas, LLP

(57) **CLAIM**

The ornamental design for a docking station with a speaker, as shown and described.

**DESCRIPTION**

FIG. 1 is a front perspective view of a docking station with a speaker showing my new design;  
FIG. 2 is a rear perspective view thereof;  
FIG. 3 is a front elevational view thereof;  
FIG. 4 is a rear elevational view thereof;  
FIG. 5 is a top plan view thereof;  
FIG. 6 is a bottom plan view thereof;  
FIG. 7 is a left side elevational view thereof; and,  
FIG. 8 is a right side elevational view thereof.

**1 Claim, 8 Drawing Sheets**

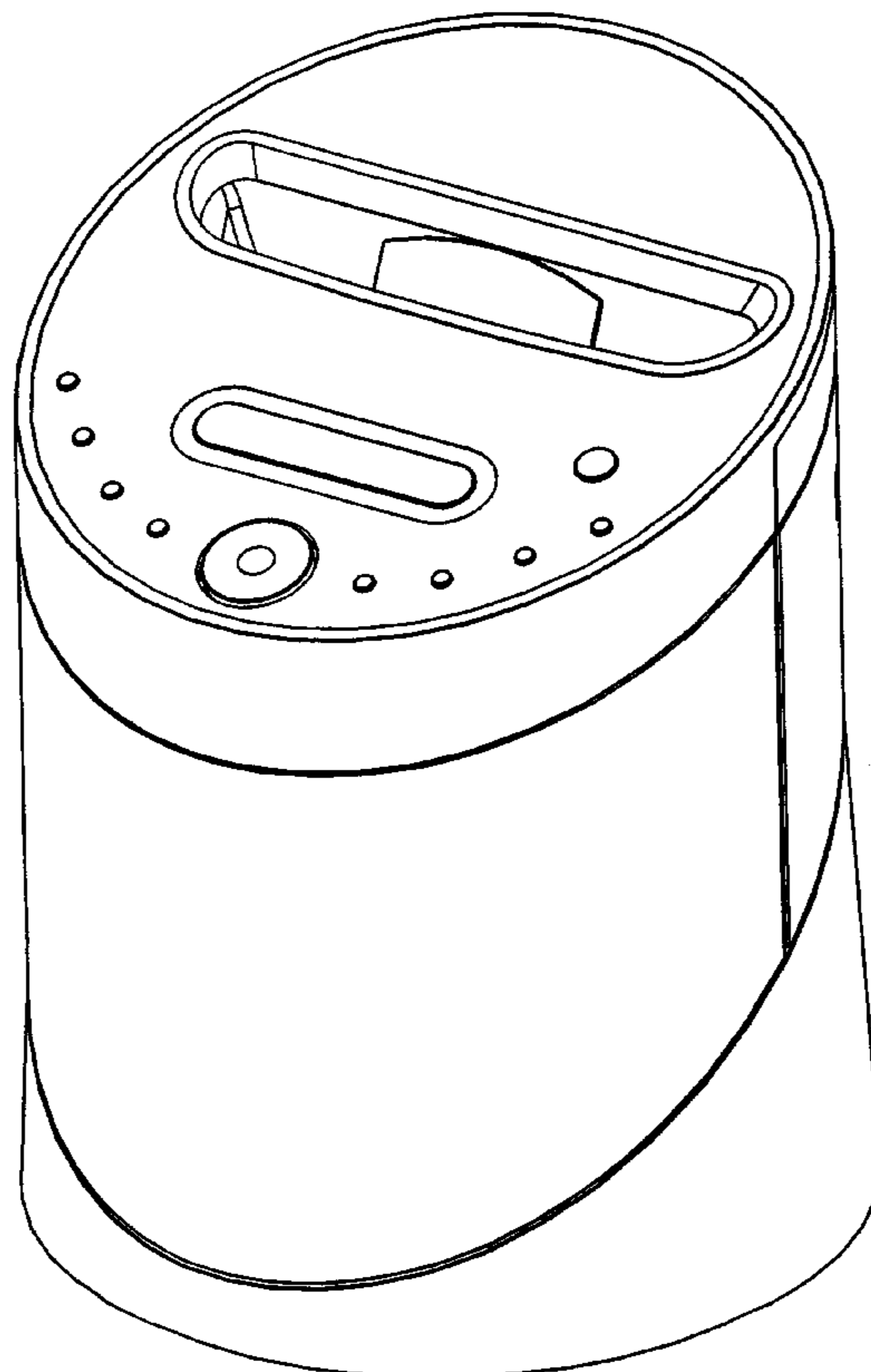


FIG. 1

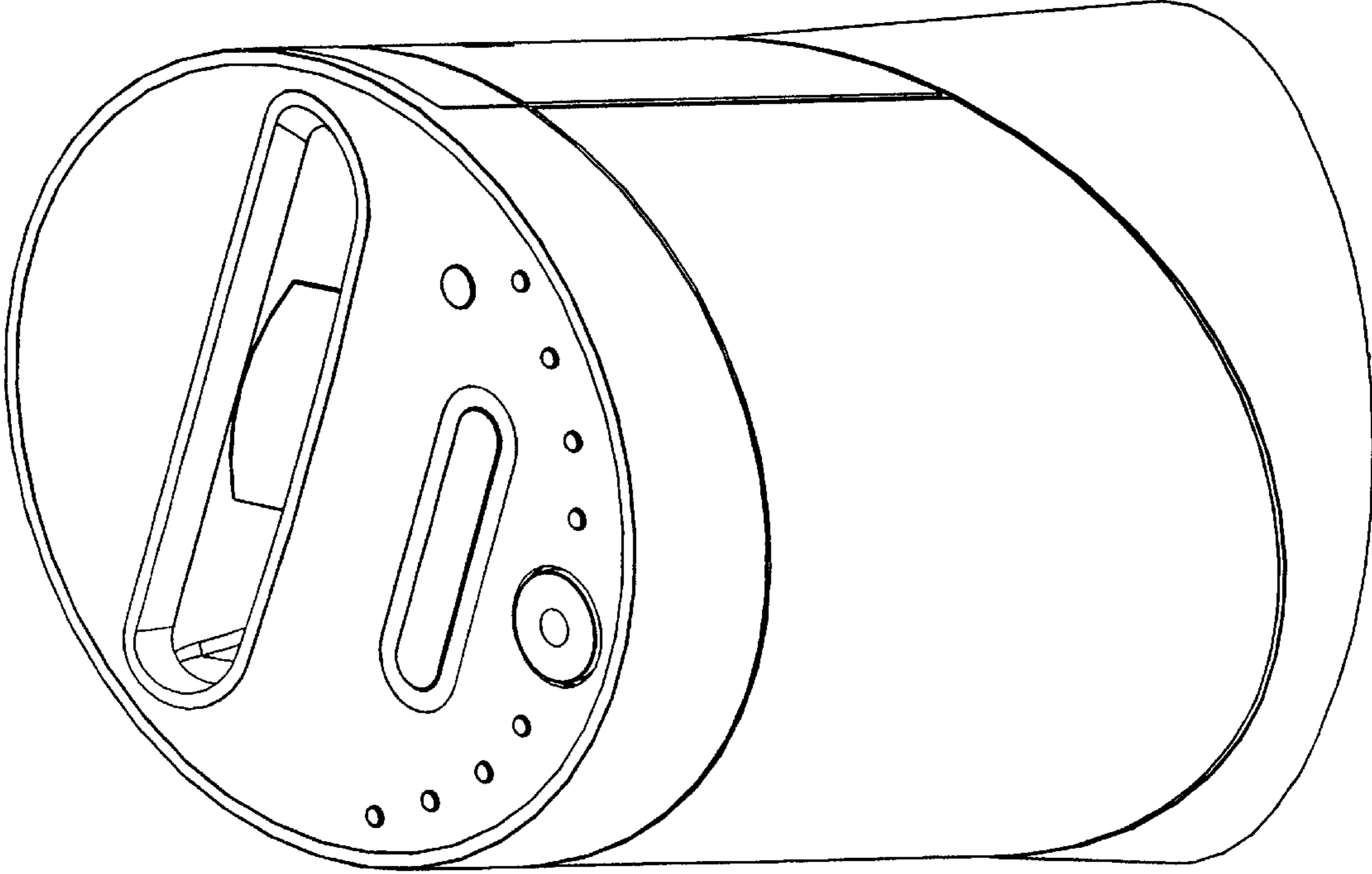


FIG. 2

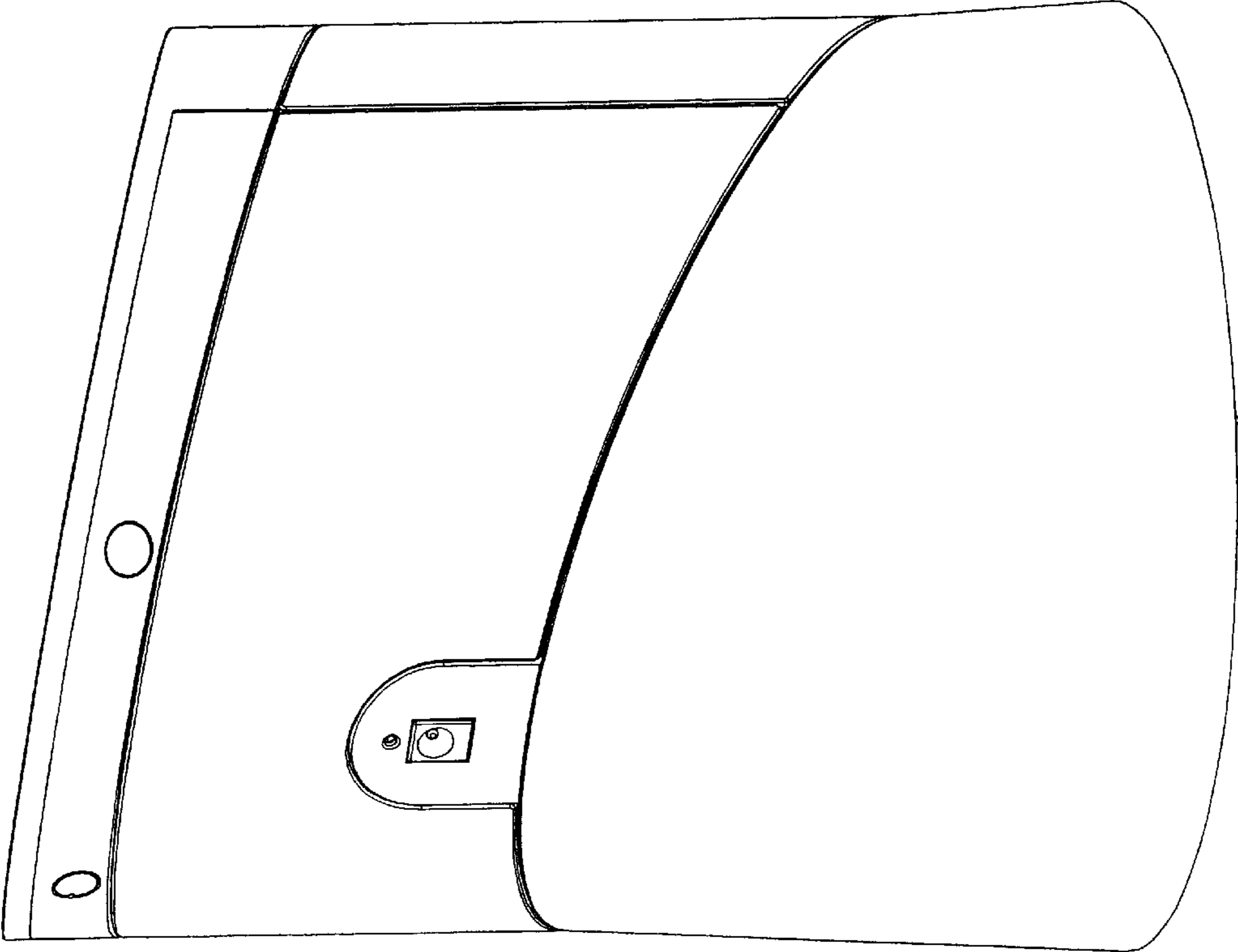


FIG. 3

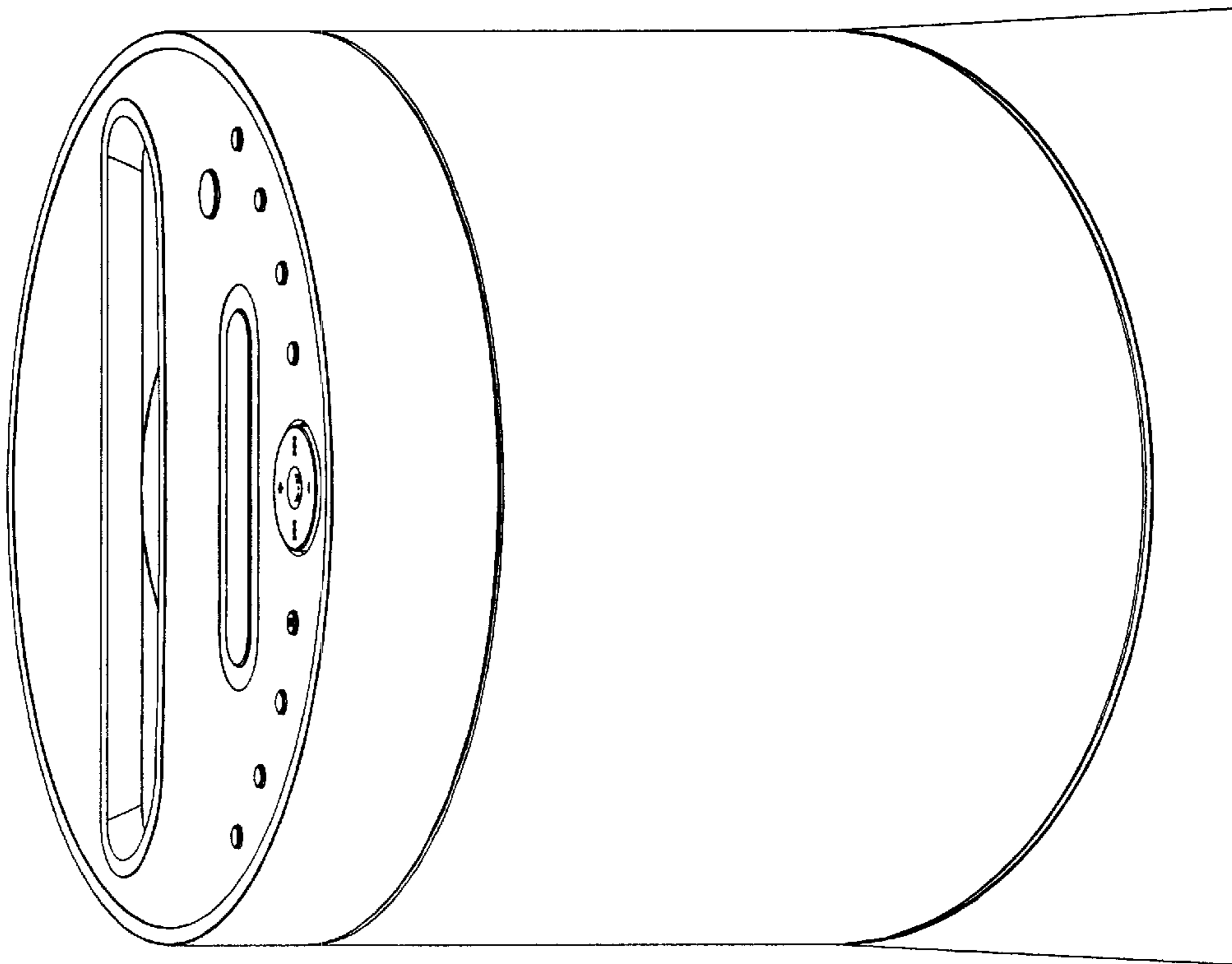


FIG. 4

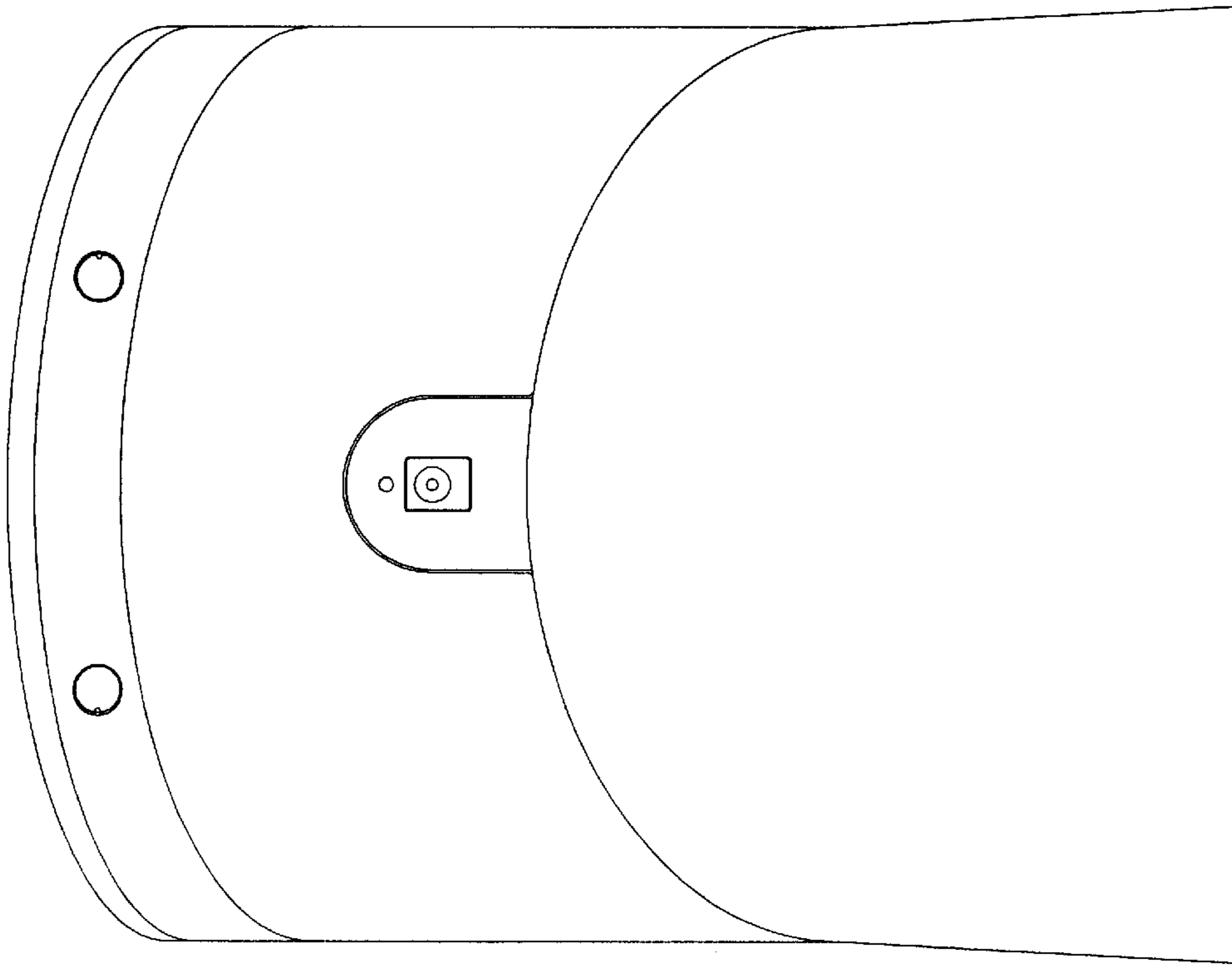


FIG. 5

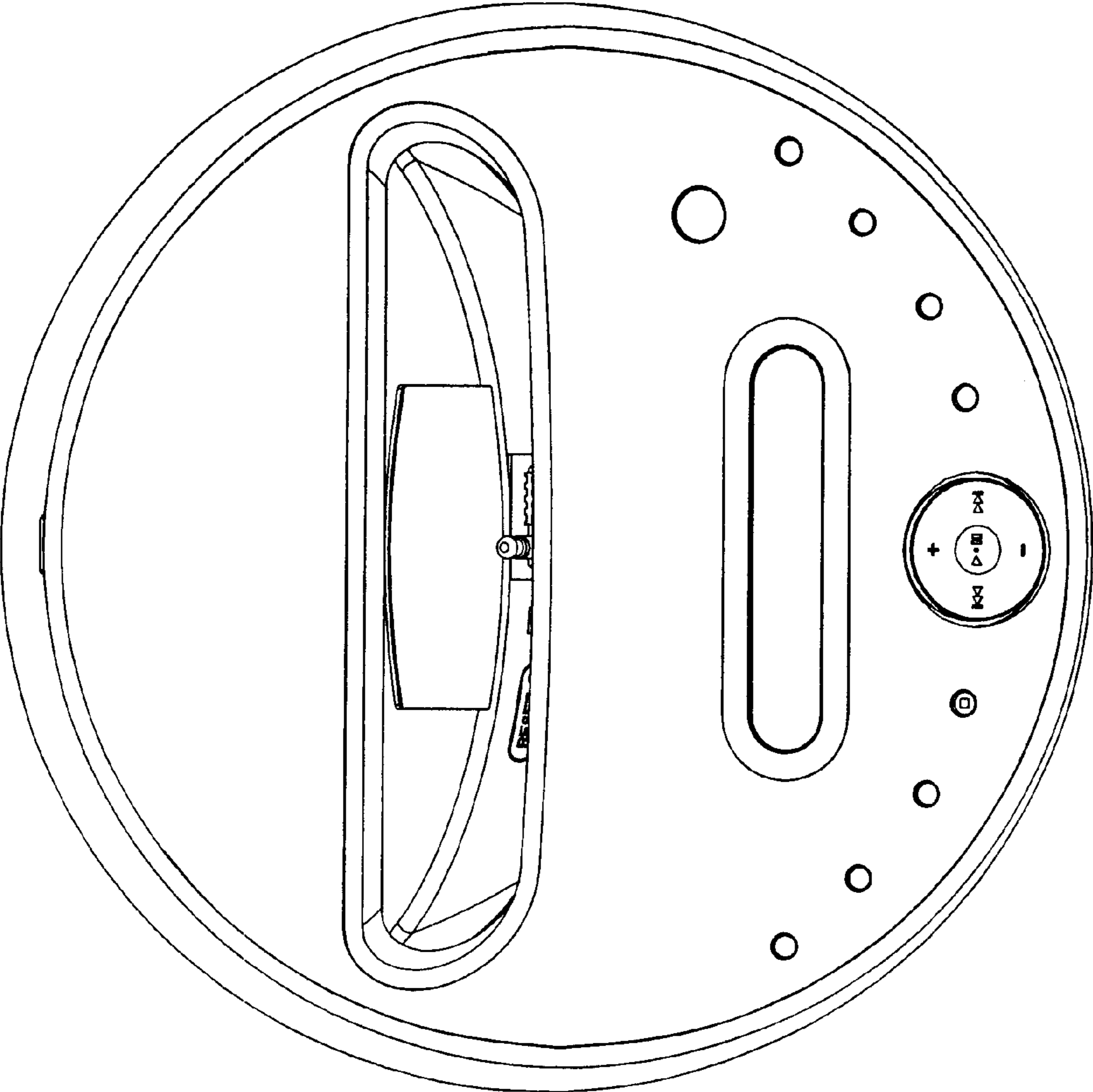


FIG. 6

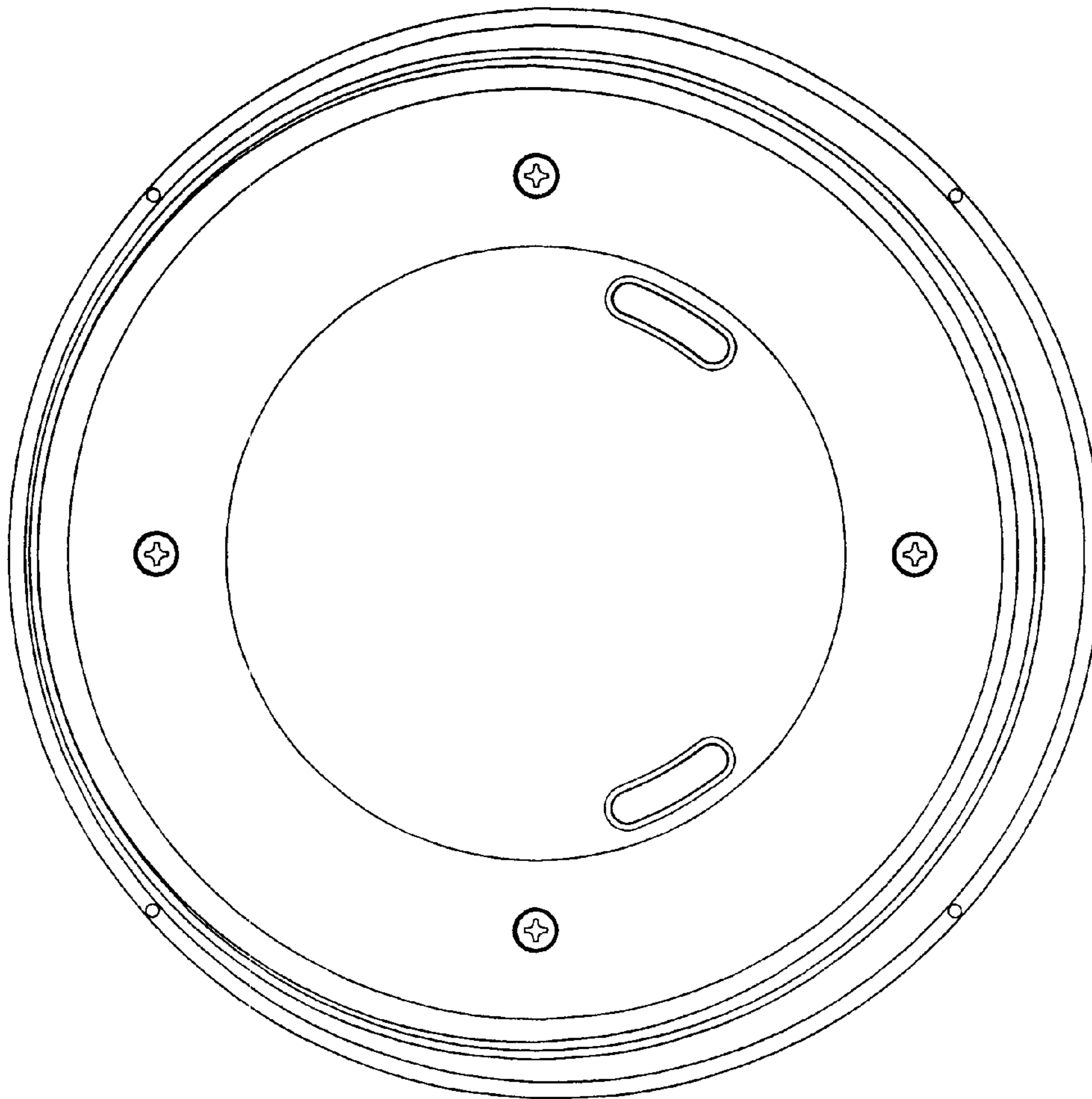


FIG. 7

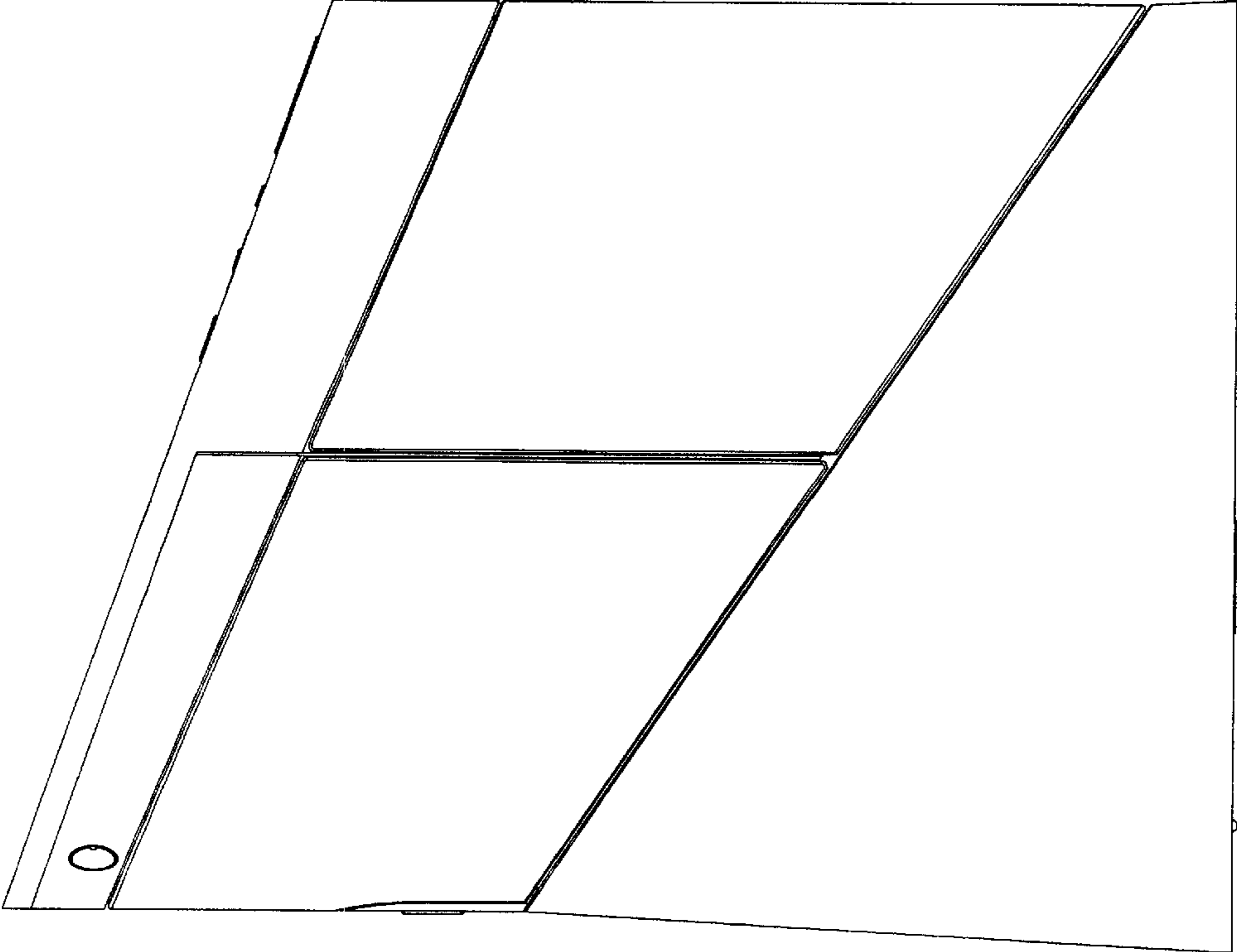




FIG. 8

