



US00D542277S

(12) **United States Design Patent**
Hibino

(10) **Patent No.:** **US D542,277 S**

(45) **Date of Patent:** **** May 8, 2007**

(54) **SPEAKER BOX**

D470,474 S * 2/2003 Kobayashi D14/215
D484,115 S * 12/2003 Nishii et al. D14/215

(75) Inventor: **Takuro Hibino**, Tokyo (JP)

OTHER PUBLICATIONS

(73) Assignee: **Sony Corporation**, Tokyo (JP)

Web page "MHC-RG575S" <http://www.sony.co.za/prod.asp?DTID=0&CID=51&SID=32125&PID=1402>, 2 sheets, Sony (Nov. 2005).

(**) Term: **14 Years**

* cited by examiner

(21) Appl. No.: **29/251,603**

(22) Filed: **Jan. 11, 2006**

Primary Examiner—Nanda Bondade

(51) **LOC (8) Cl.** **14-01**

(74) *Attorney, Agent, or Firm*—Rader, Fishman & Grauer PLLC

(52) **U.S. Cl.** **D14/215; D14/214**

(58) **Field of Classification Search** D14/204,
D14/209–216; 181/143–144, 147–148, 150,
181/157, 198–199, 151, 153; 381/300–302,
381/306, 333, 345, 361–364, 386–388, 332,
381/336

(57) **CLAIM**

The ornamental design for a speaker box, as shown.

See application file for complete search history.

DESCRIPTION

(56) **References Cited**

FIG. 1 is a perspective view of a speaker box showing my new design;
FIG. 2 is a front elevational view thereof;
FIG. 3 is a rear elevational view thereof;
FIG. 4 is a left side elevational view thereof;
FIG. 5 is a right side elevational view thereof;
FIG. 6 is a top plan view thereof; and,
FIG. 7 is a bottom plan view thereof.

U.S. PATENT DOCUMENTS

D379,629 S * 6/1997 Watson et al. D14/215
D392,289 S 3/1998 Isonaga
D416,906 S 11/1999 Miyazaki
D421,608 S 3/2000 Shintani
D422,593 S * 4/2000 Ito et al. D14/214
D467,572 S 12/2002 Narita

1 Claim, 7 Drawing Sheets

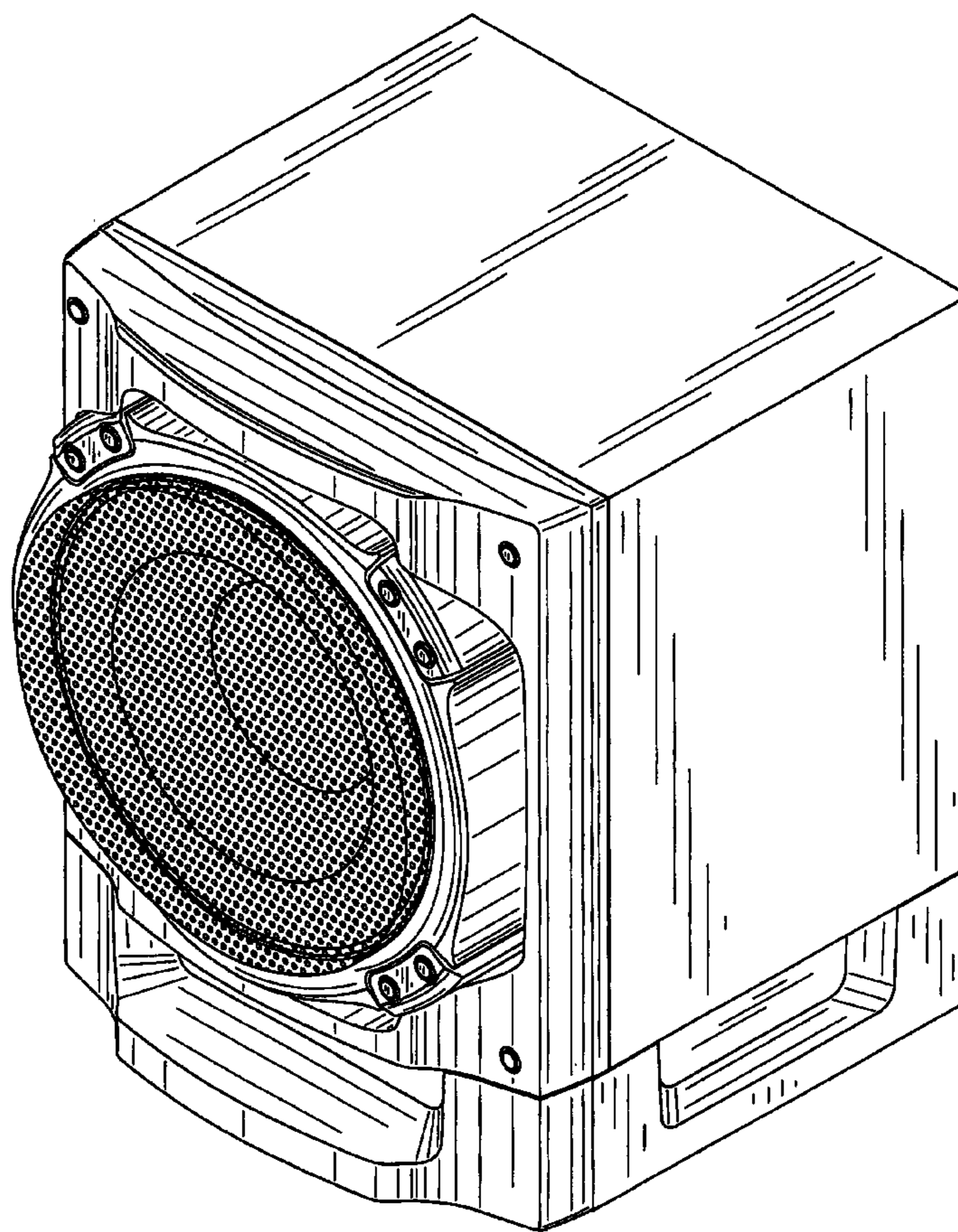


Fig.1

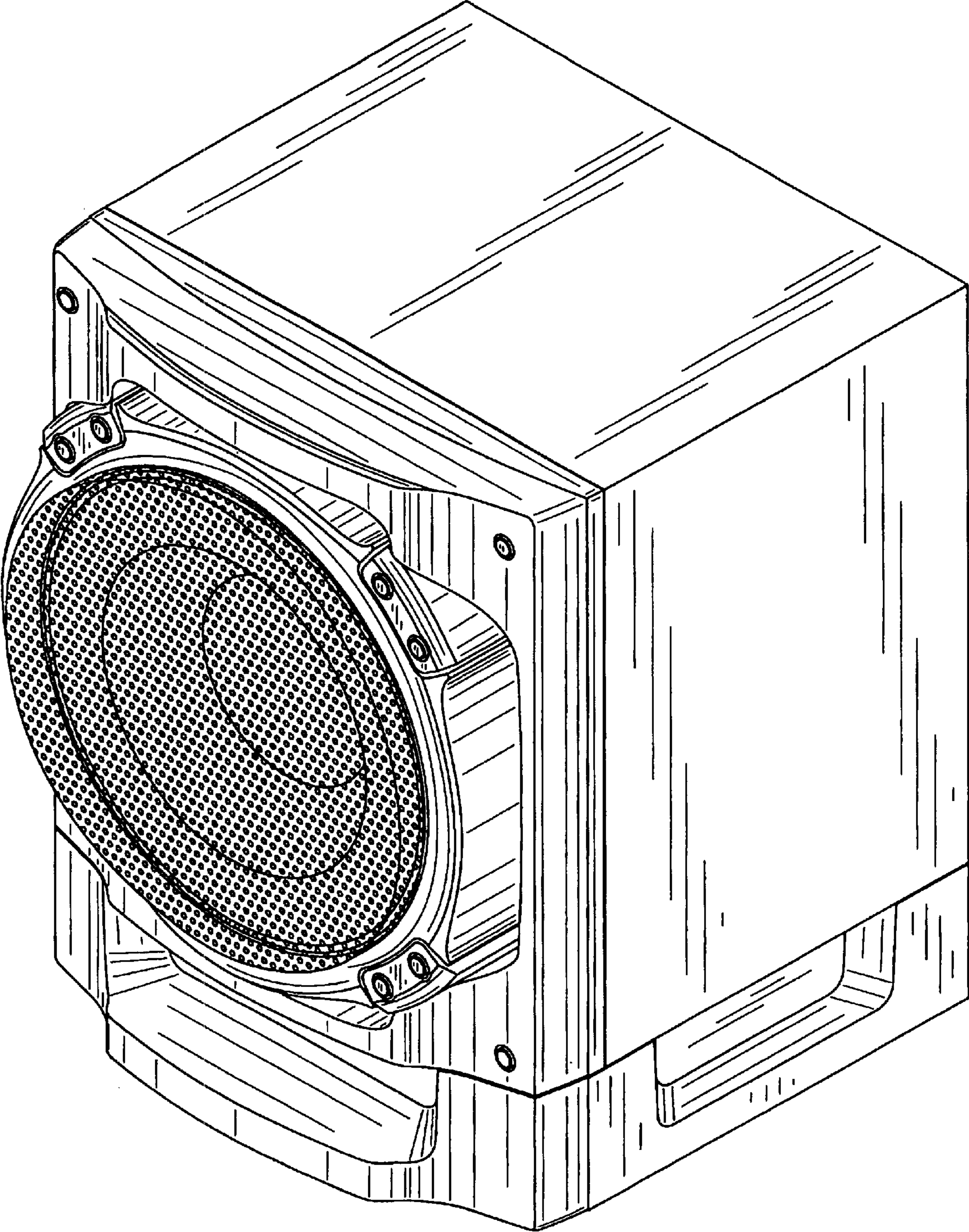


Fig.2

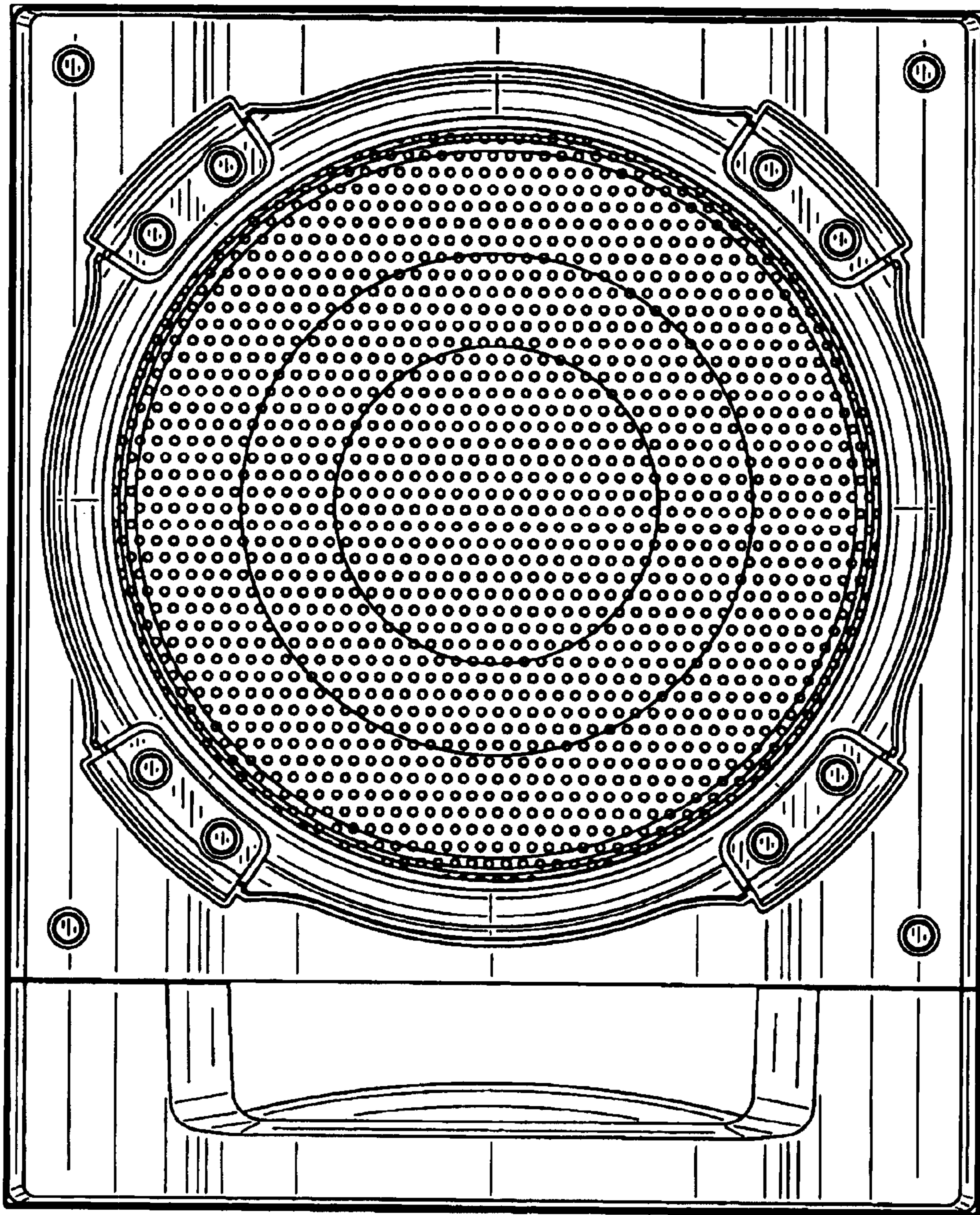


Fig.3

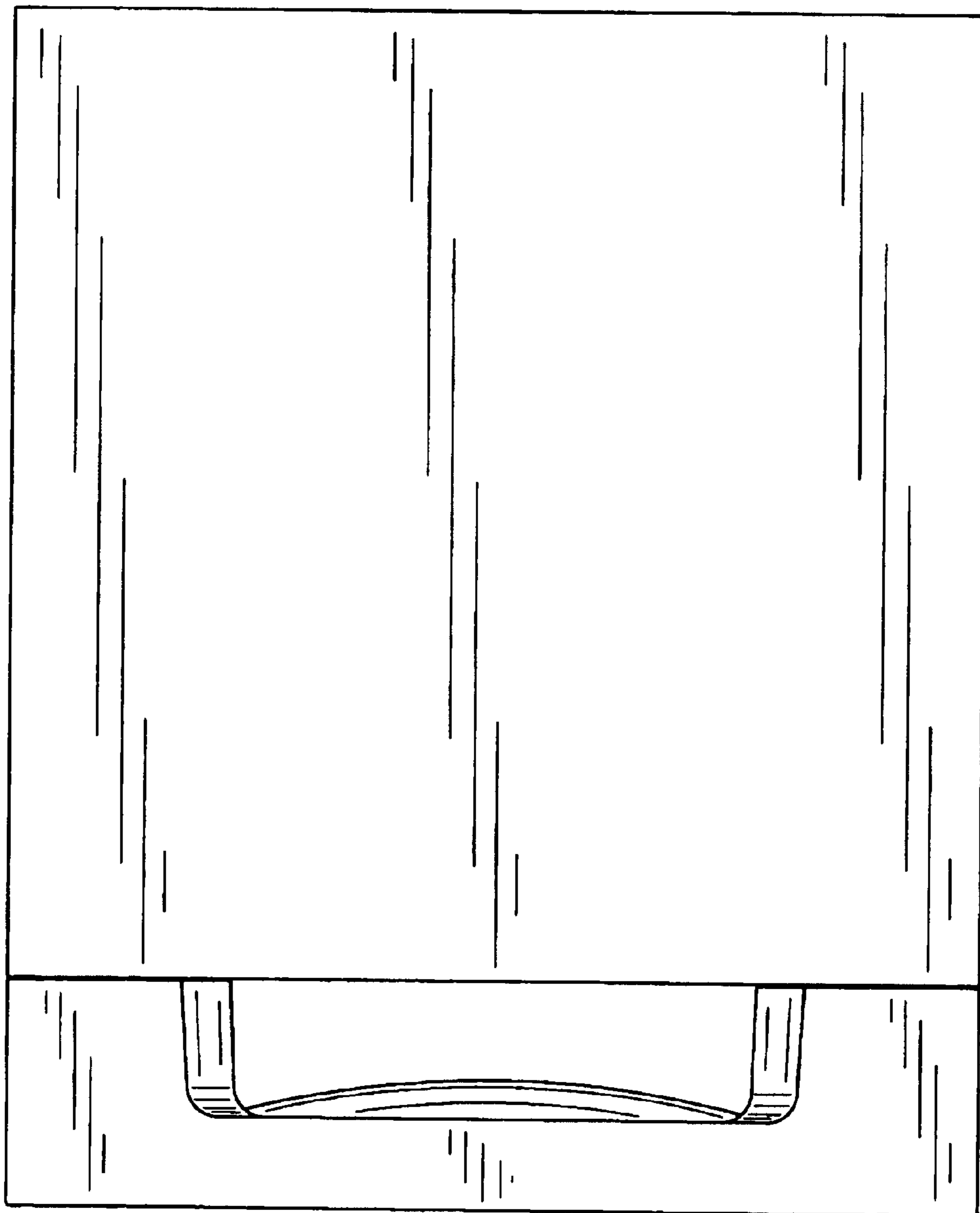


Fig.4

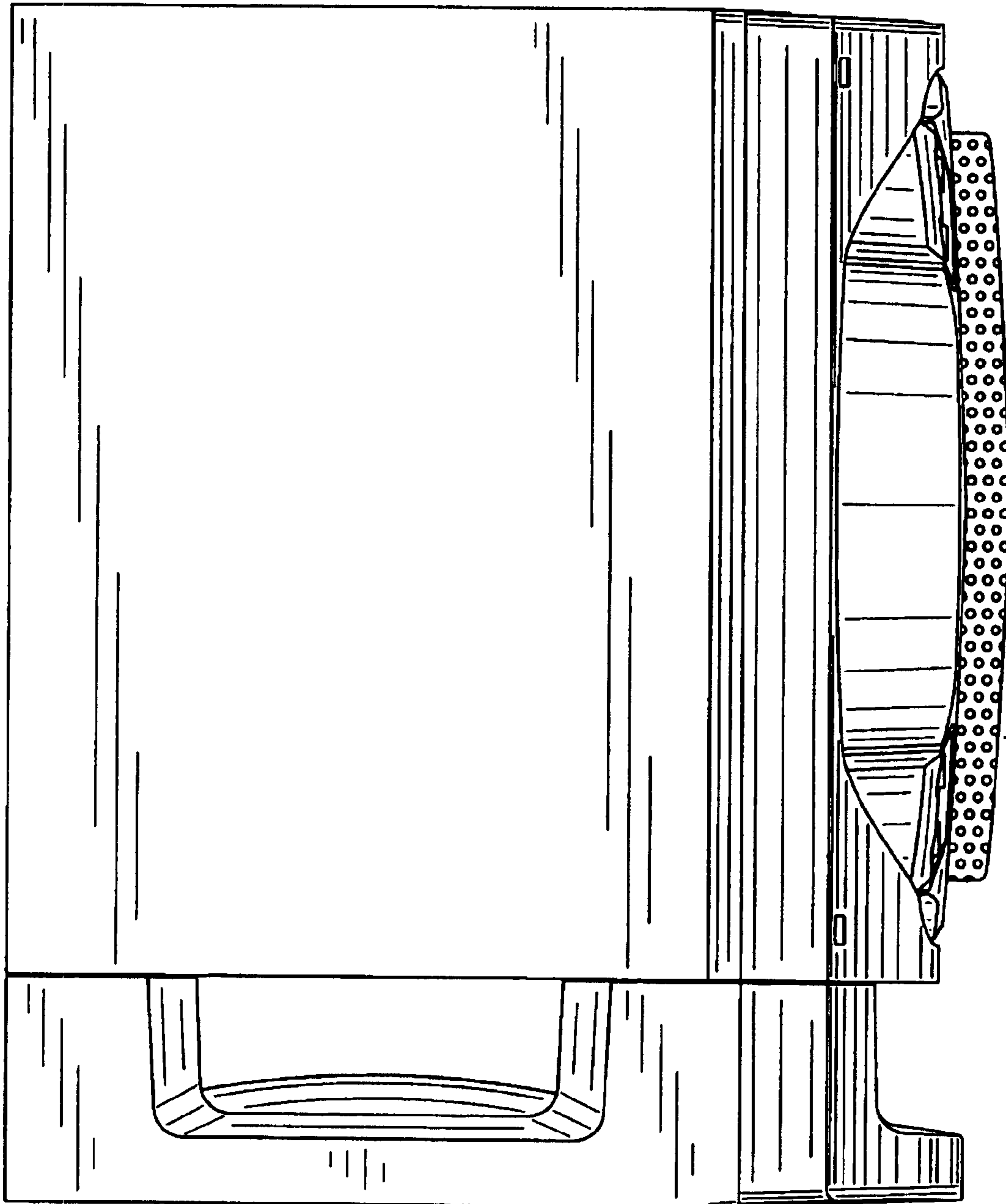


Fig.5

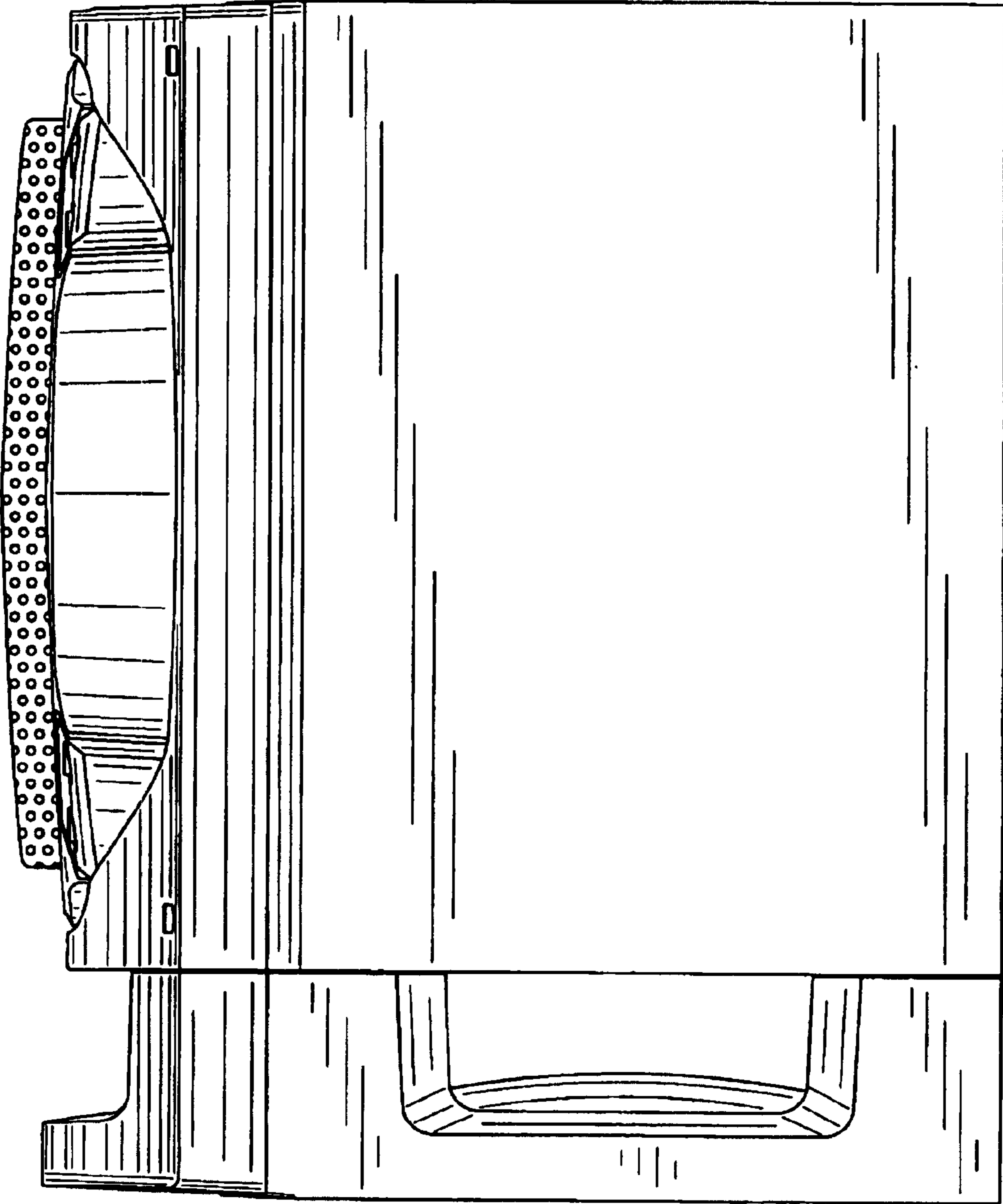


Fig.6

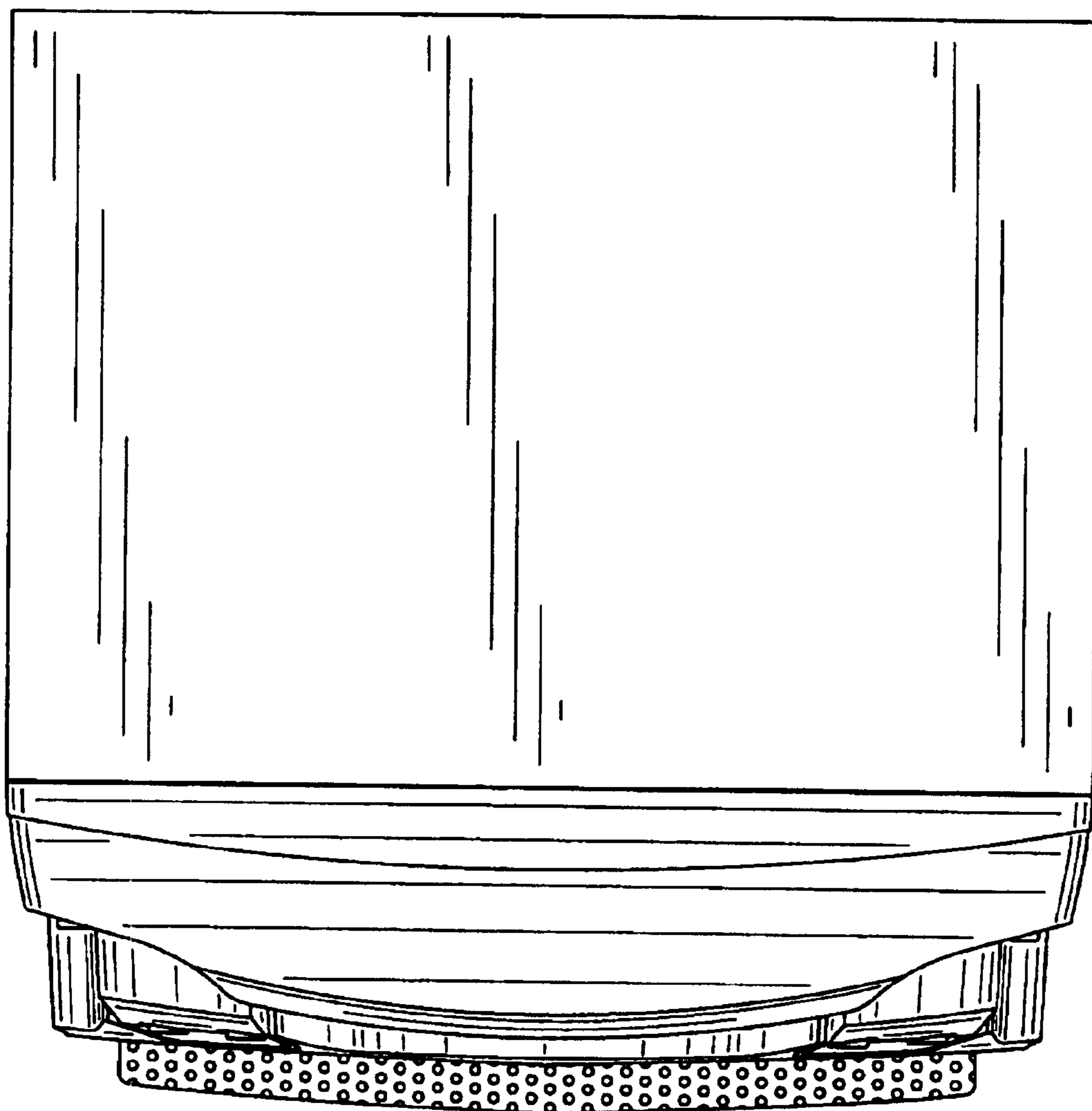


Fig.7

