



US00D542275S

(12) **United States Design Patent**
Hibino

(10) **Patent No.:** **US D542,275 S**

(45) **Date of Patent:** **** May 8, 2007**

(54) **SPEAKER BOX**

D467,572 S 12/2002 Narita
D470,474 S * 2/2003 Kobayashi D14/215
D484,115 S * 12/2003 Nishii et al. D14/215

(75) Inventor: **Takuro Hibino**, Tokyo (JP)

(73) Assignee: **Sony Corporation**, Tokyo (JP)

(**) Term: **14 Years**

(21) Appl. No.: **29/251,593**

(22) Filed: **Jan. 11, 2006**

(51) **LOC (8) Cl.** **14-01**

(52) **U.S. Cl.** **D14/215**; D14/214

(58) **Field of Classification Search** D14/204,
D14/209-216; 181/143-144, 147-148, 150,
181/157, 198-199, 151, 153; 381/300-302,
381/306, 333, 345, 361-364, 386-388, 332,
381/336

See application file for complete search history.

(56) **References Cited**

U.S. PATENT DOCUMENTS

D379,629 S * 6/1997 Watson et al. D14/215
D384,668 S 10/1997 Yoneda
D392,289 S 3/1998 Isonaga
D416,906 S 11/1999 Miyazaki
D421,608 S 3/2000 Shintani
D422,593 S * 4/2000 Ito et al. D14/214
D437,307 S 2/2001 Tejima

OTHER PUBLICATIONS

Web page "MHC-GNX60" <http://www.sony.cl/corporate?model=MHC-GNX60&page=productosDetalles#>, 2 sheets, Sony (Nov. 2005).

* cited by examiner

Primary Examiner—Nanda Bondade

(74) *Attorney, Agent, or Firm*—Rader, Fishman & Grauer PLLC

(57) **CLAIM**

The ornamental design for a speaker box, as shown.

DESCRIPTION

FIG. 1 is a perspective view of a speaker box showing my new design;

FIG. 2 is a front elevational view thereof;

FIG. 3 is a rear elevational view thereof;

FIG. 4 is a left side elevational view thereof;

FIG. 5 is a right side elevational view thereof;

FIG. 6 is a top plan view thereof; and,

FIG. 7 is a bottom plan view thereof.

1 Claim, 7 Drawing Sheets

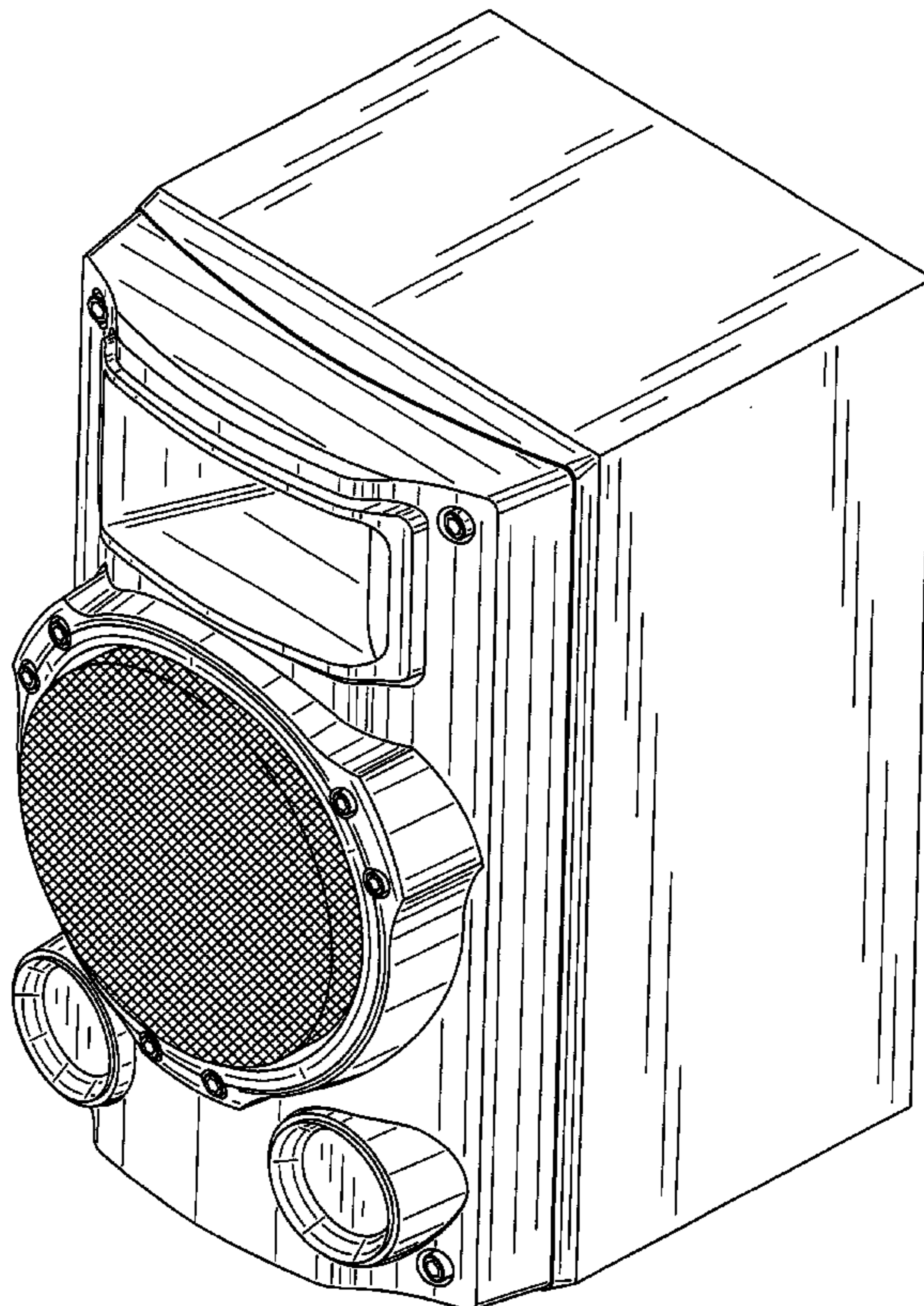


Fig.1

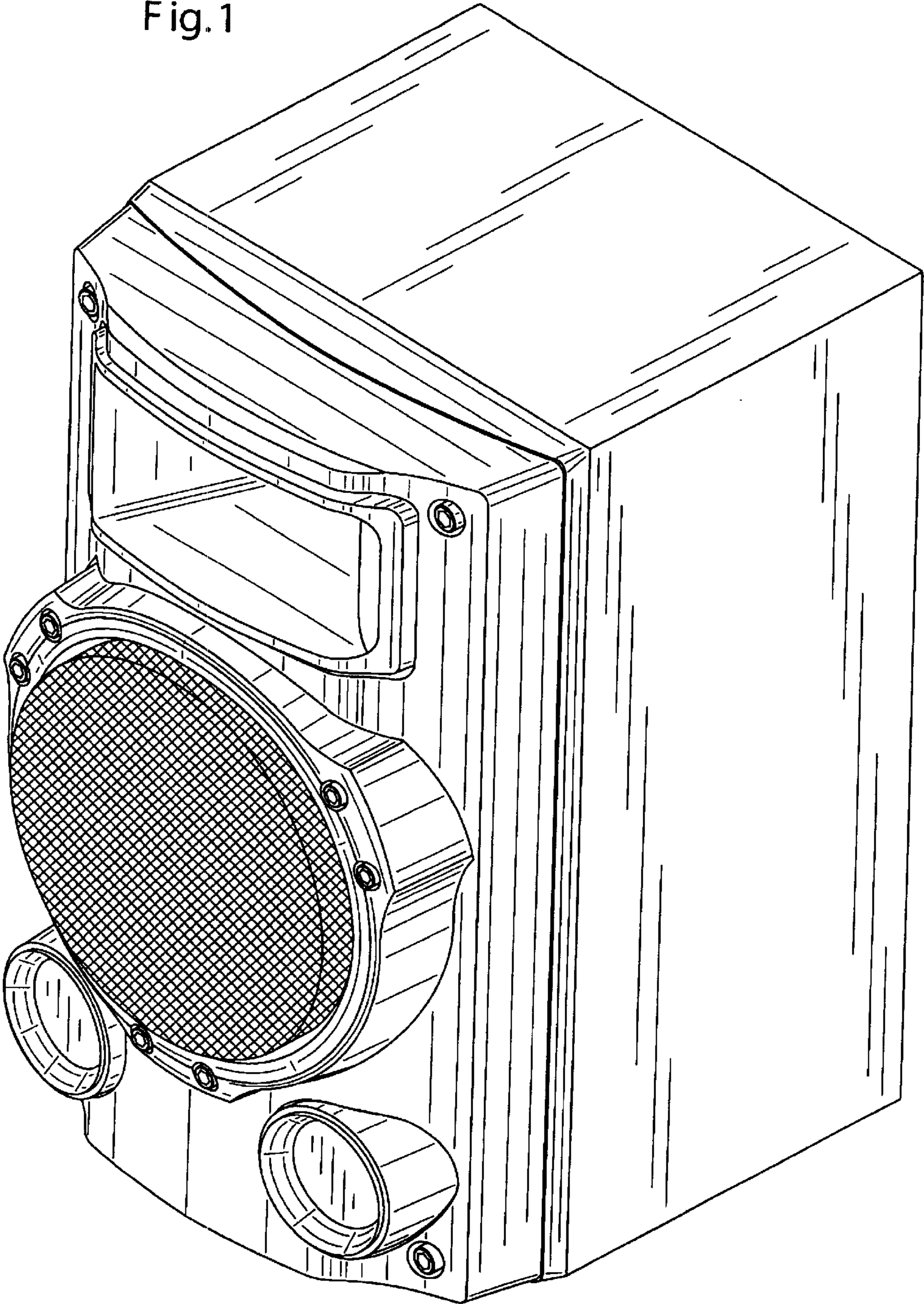


Fig.2

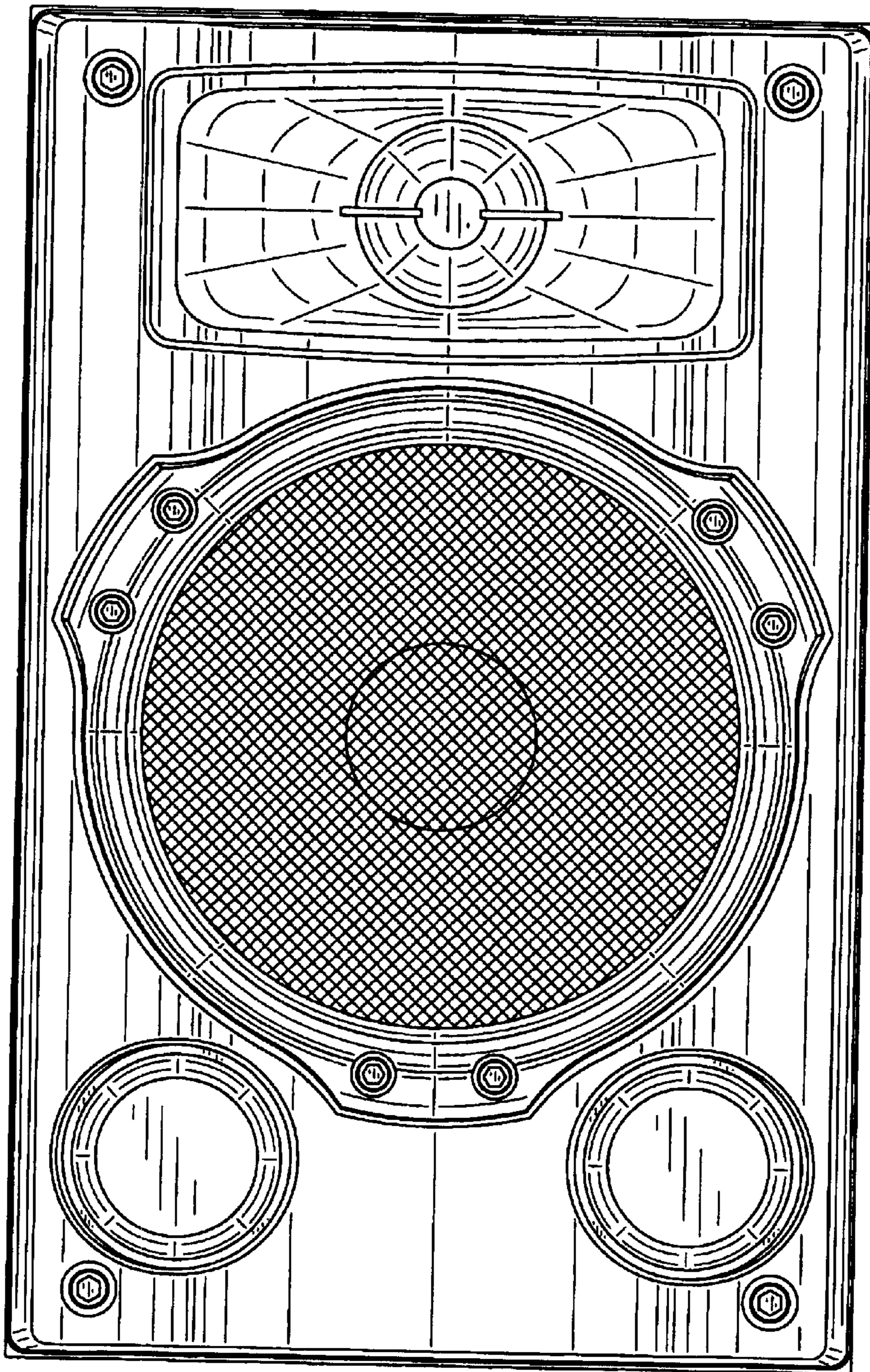


Fig.3

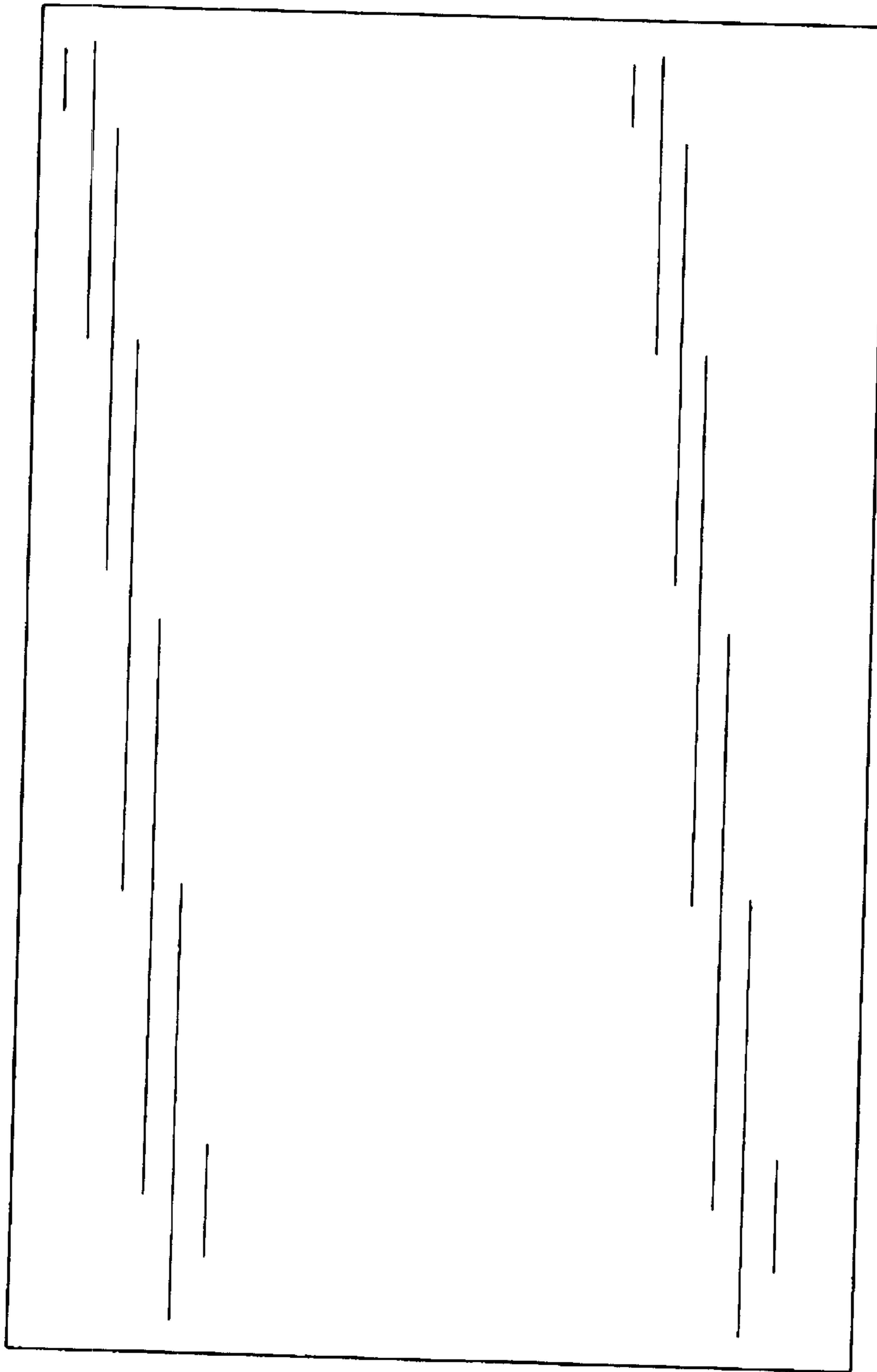


Fig.4

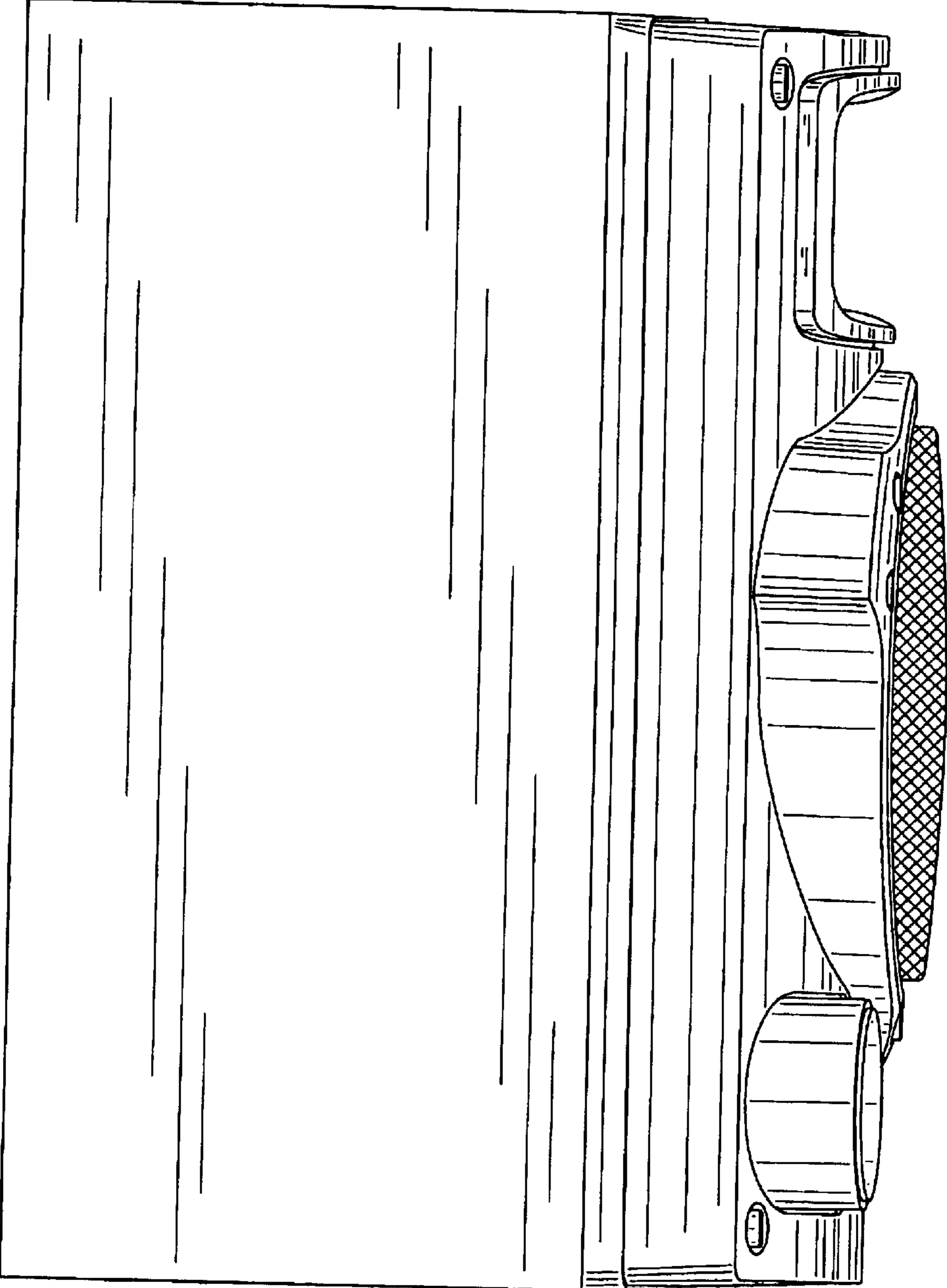


Fig.5

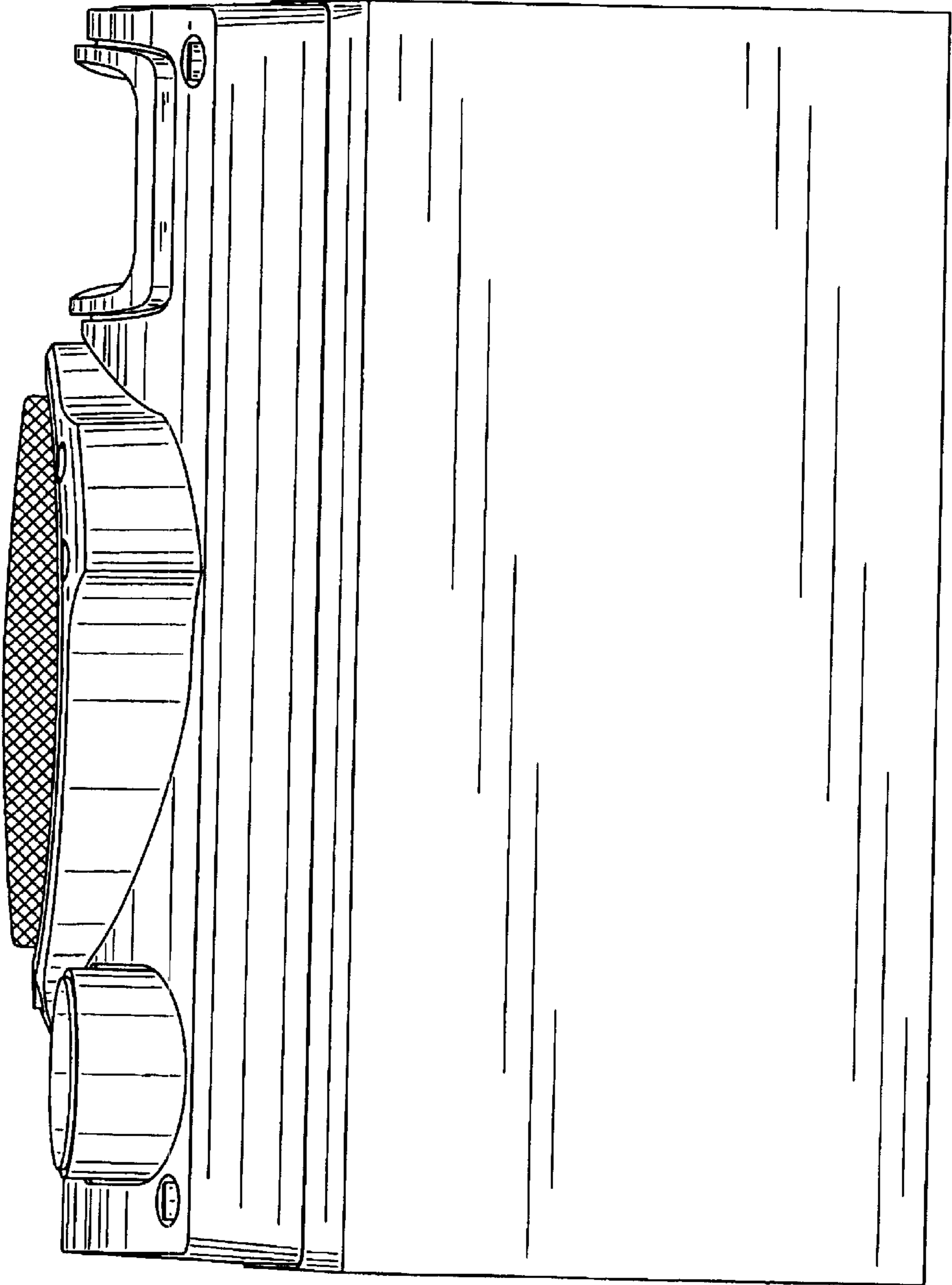


Fig.6

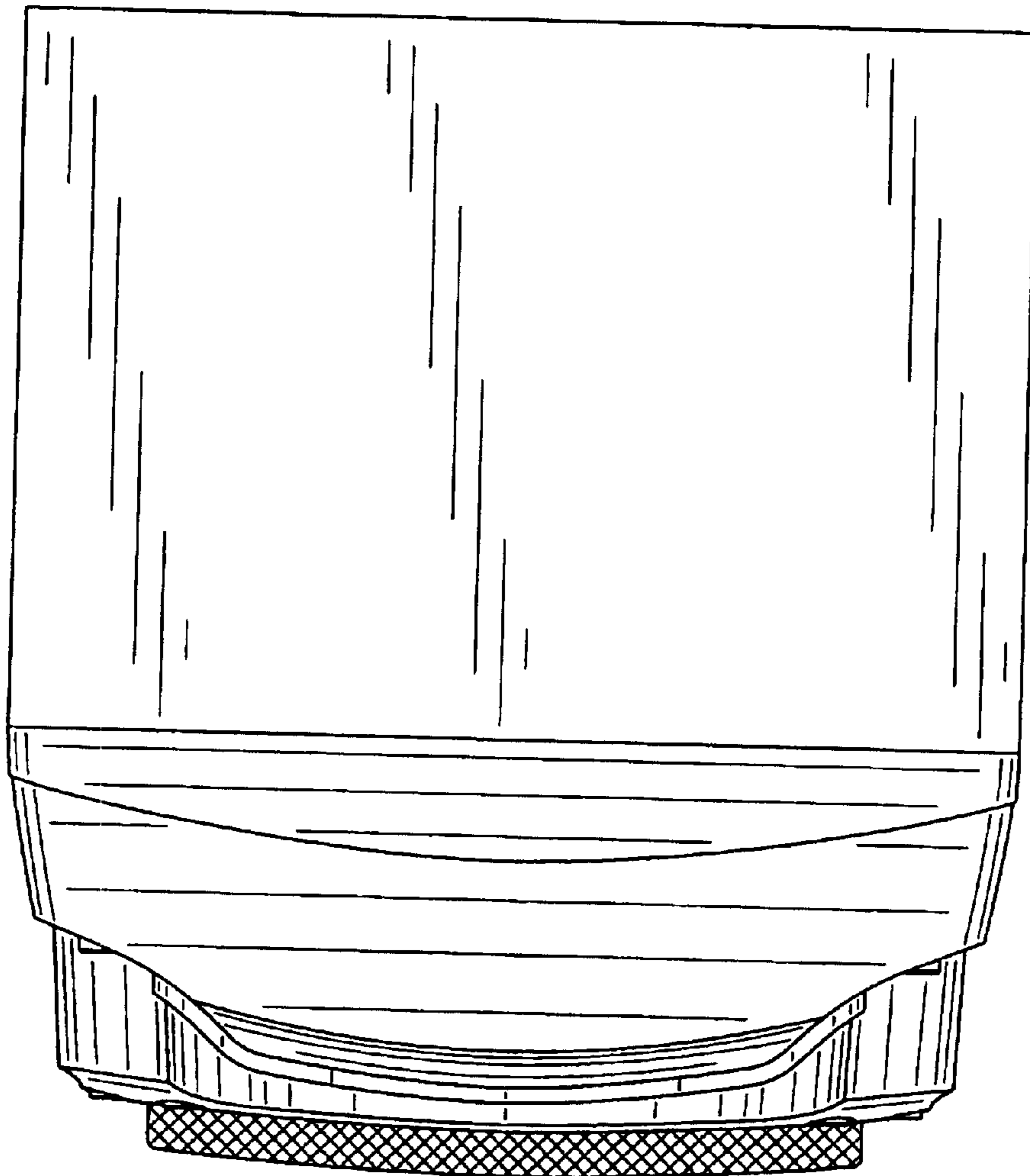


Fig.7

