



US00D542269S

(12) **United States Design Patent** (10) **Patent No.:** **US D542,269 S**
Harris (45) **Date of Patent:** **** May 8, 2007**

(54) **AUDIO SPEAKER**

(75) Inventor: **Kenneth David Harris**, Hollis, NH (US)

(73) Assignee: **Brookstone Purchasing, Inc.**, Merrimack, NH (US)

(**) Term: **14 Years**

(21) Appl. No.: **29/231,051**

(22) Filed: **May 31, 2005**

(51) **LOC (8) Cl.** **14-01**

(52) **U.S. Cl.** **D14/214**

(58) **Field of Classification Search** D14/204,
D14/207, 209-216; 181/143-144, 147-148,
181/150, 157, 198-199, 151, 153; 381/300-302,
381/306, 333, 345, 361-364, 386-388, 332,
381/336

See application file for complete search history.

(56) **References Cited**

U.S. PATENT DOCUMENTS

D277,278 S * 1/1985 Matsuda D14/214
D390,951 S * 2/1998 Yeh D14/214
D391,574 S * 3/1998 Chen D14/211
6,198,825 B1 3/2001 Daryanani

D448,752 S * 10/2001 Matsuoka D14/214
D467,899 S 12/2002 Harris et al.
D468,291 S * 1/2003 Solland D14/215
6,561,311 B2 * 5/2003 Chuang 181/199
D476,640 S 7/2003 Harris et al.
D480,068 S * 9/2003 Shin D14/215
D506,746 S * 6/2005 Hioki D14/215
D512,411 S 12/2005 Christianson
D512,414 S 12/2005 Christianson

* cited by examiner

Primary Examiner—Nanda Bondade

(74) *Attorney, Agent, or Firm*—Nixon Peabody, LLP

(57) **CLAIM**

I claim the ornamental design for an audio speaker, as shown and described.

DESCRIPTION

FIG. 1 is a front elevational view of an audio speaker showing my new design.

FIG. 2 is a rear elevational view thereof.

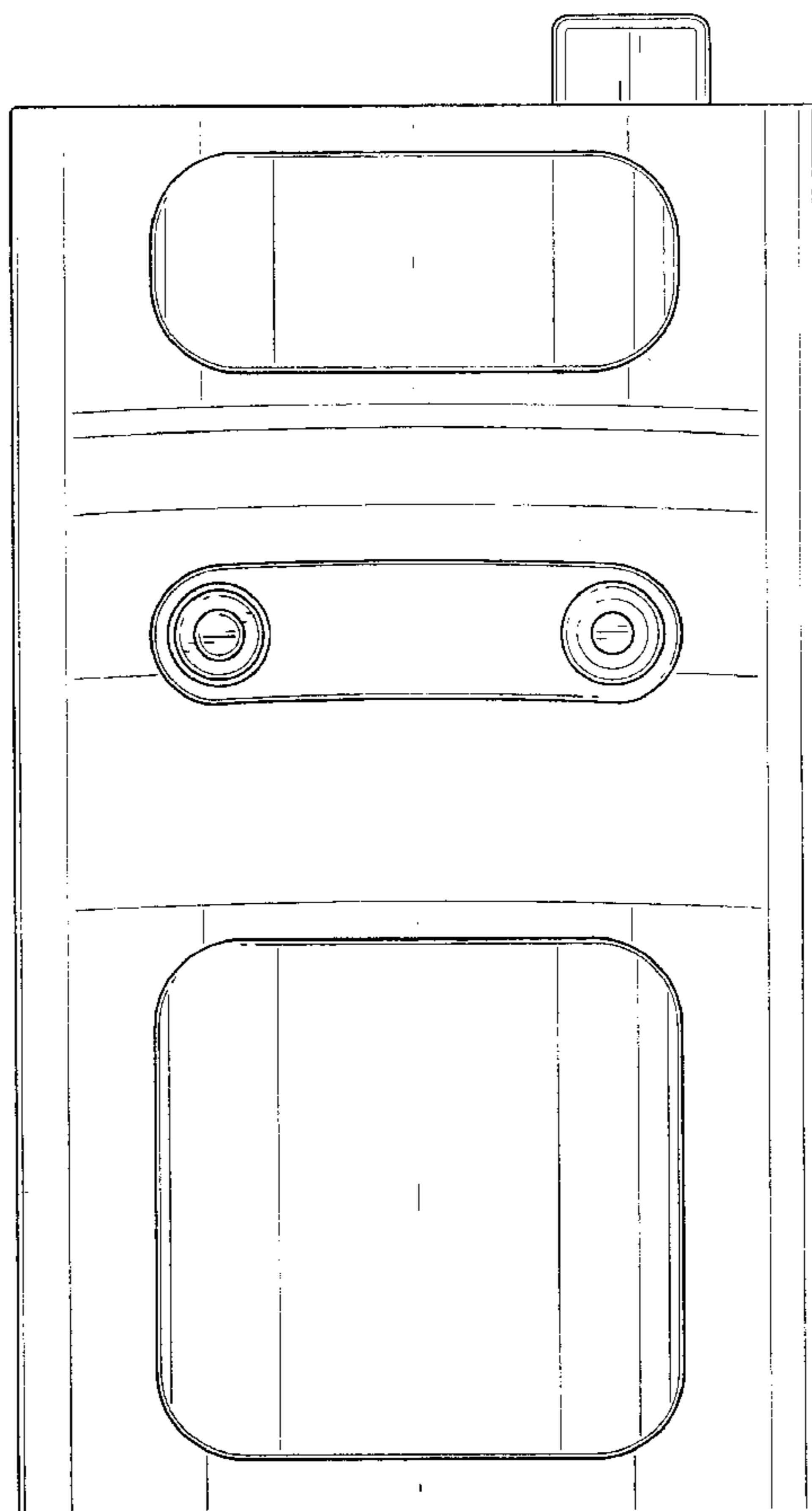
FIG. 3 is a right-side elevational view thereof.

FIG. 4 is a left-side elevational view thereof.

FIG. 5 is a top plan view thereof; and,

FIG. 6 is a bottom plan view thereof.

1 Claim, 6 Drawing Sheets



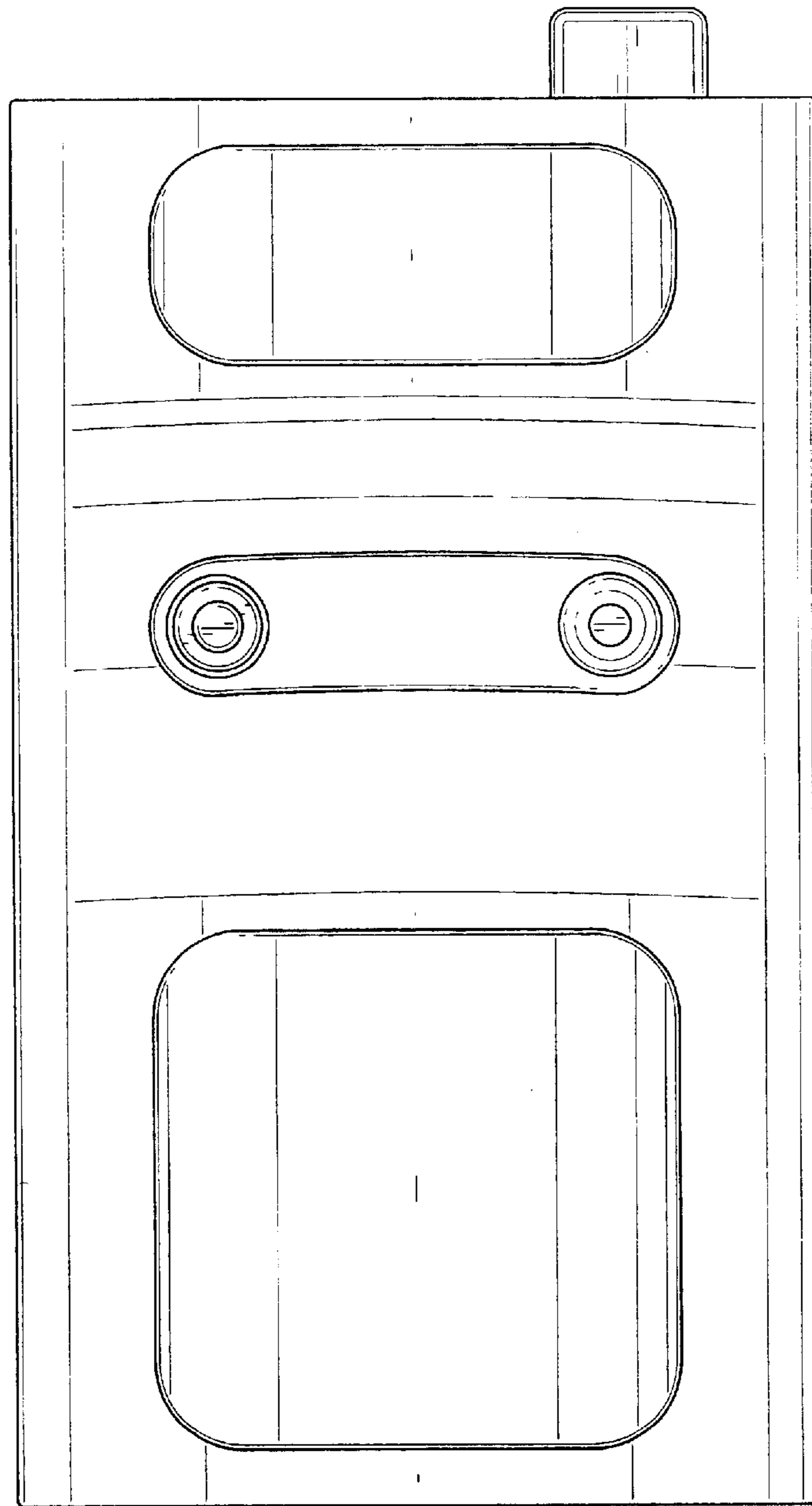


FIG. 1

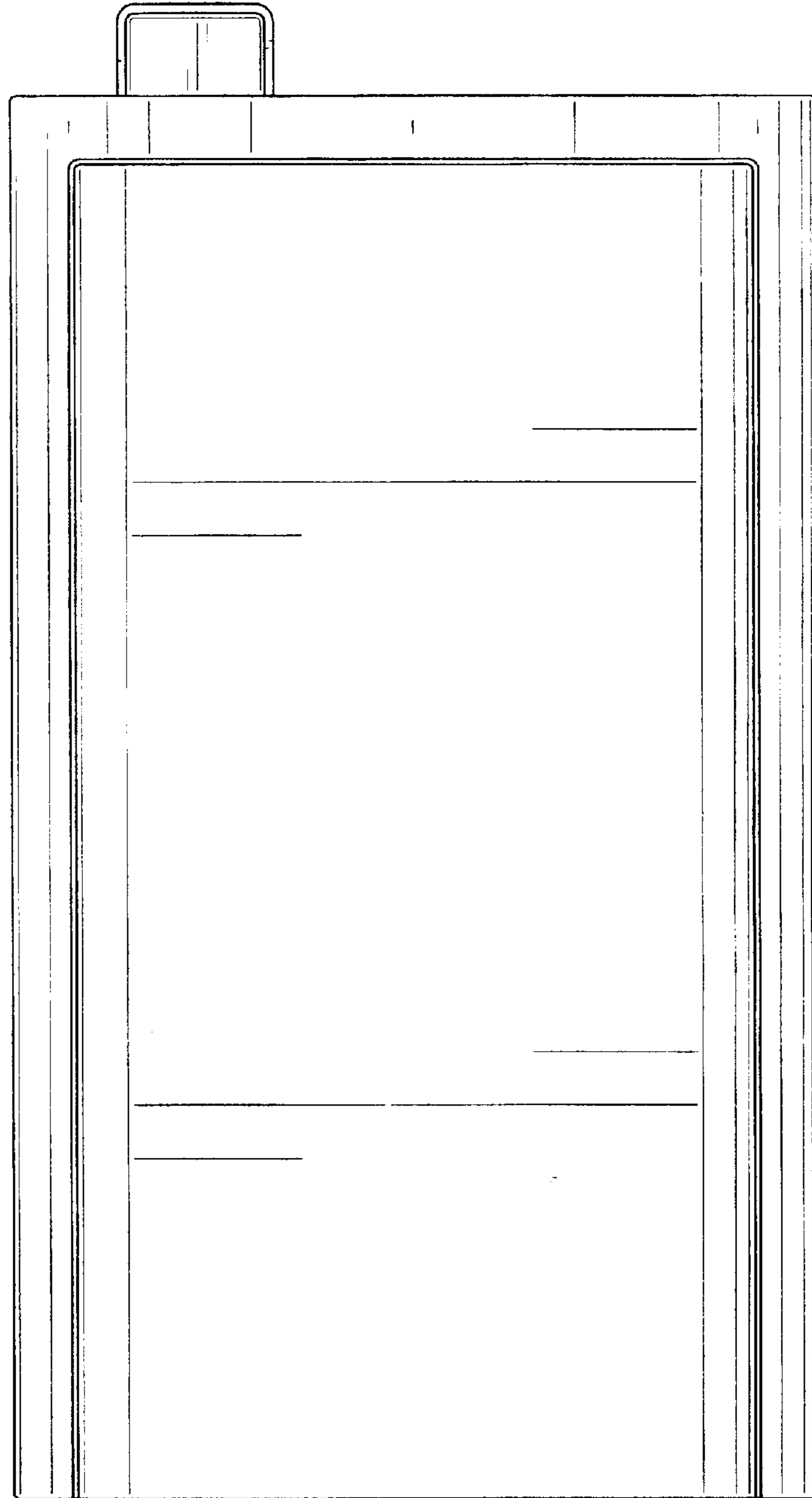


FIG. 2

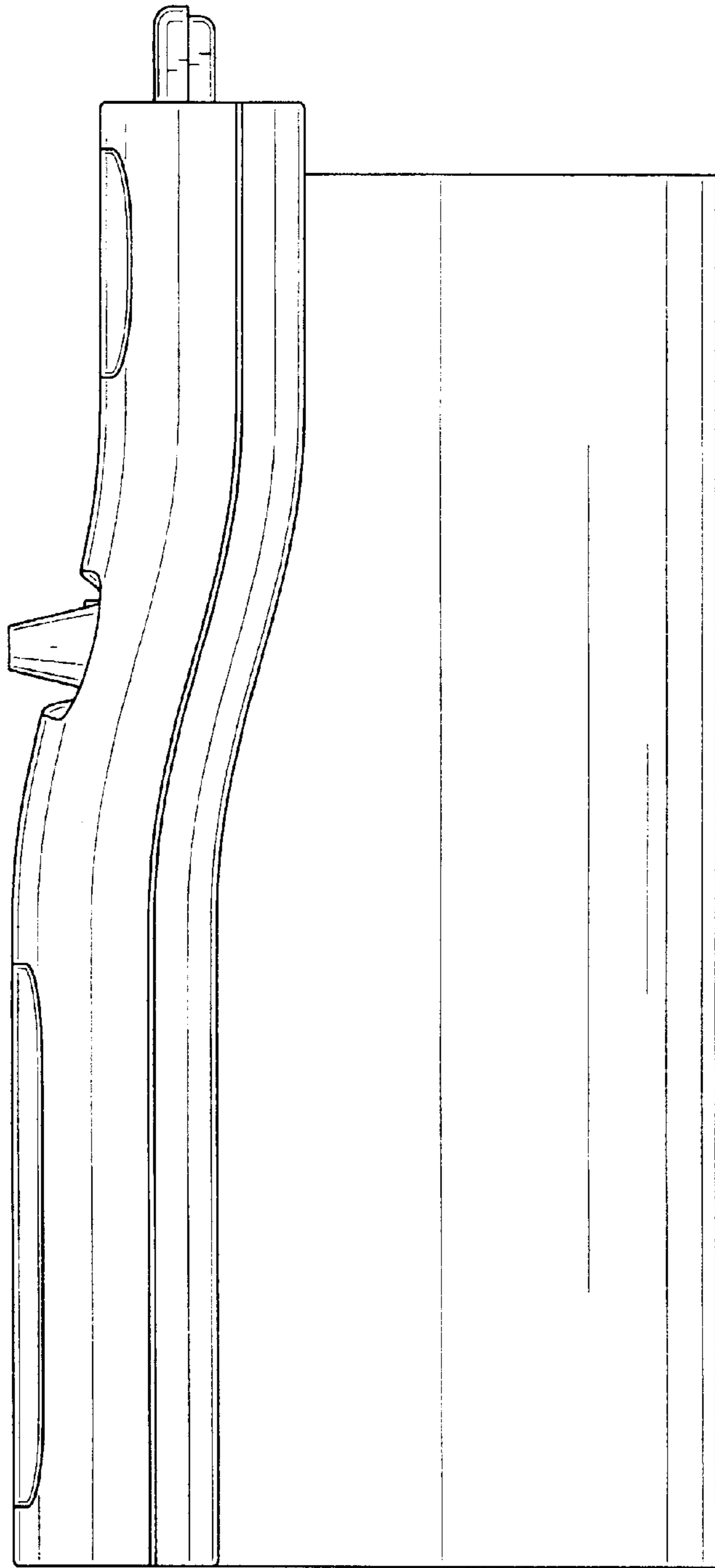


FIG. 3



FIG. 4

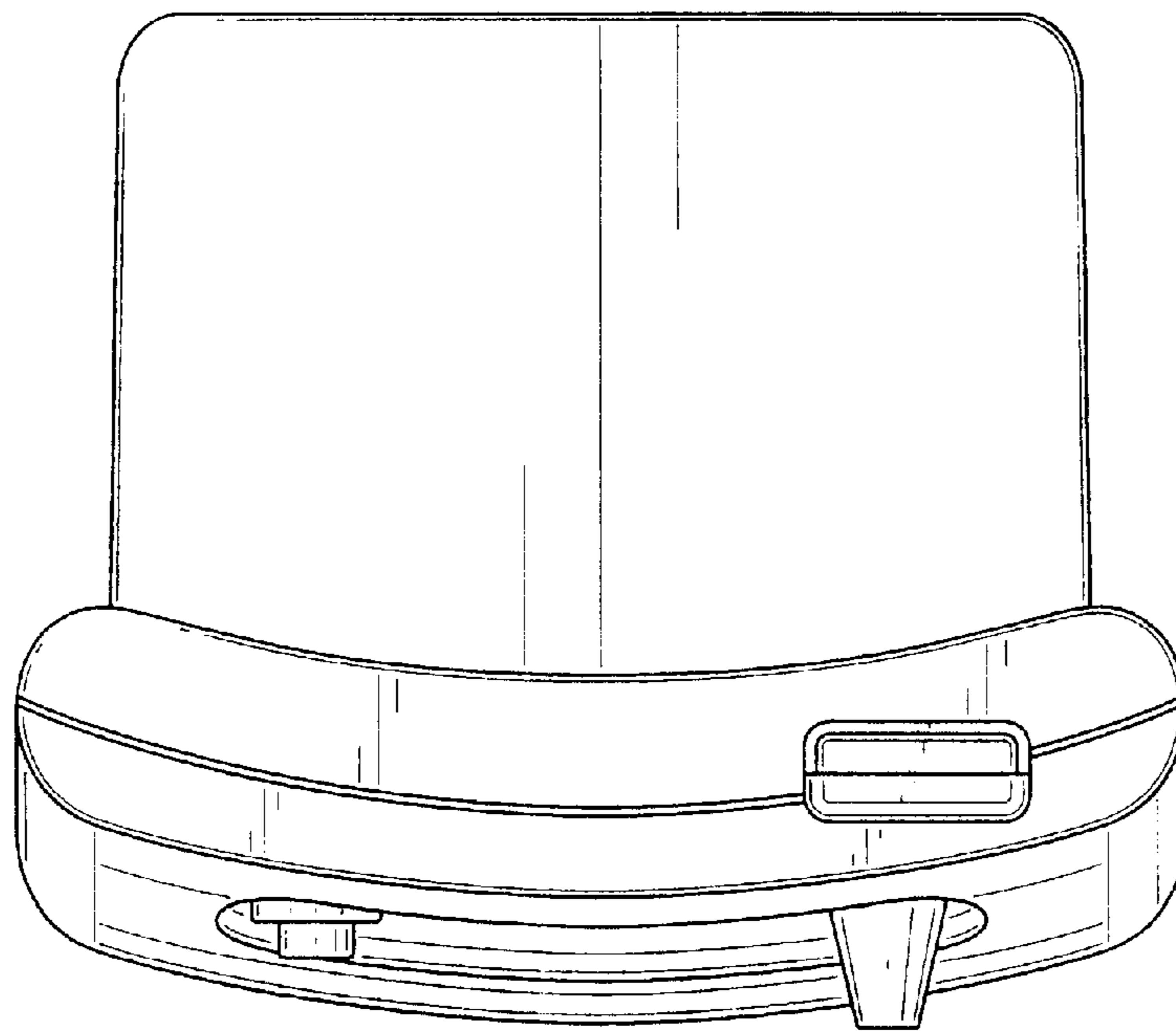


FIG. 5

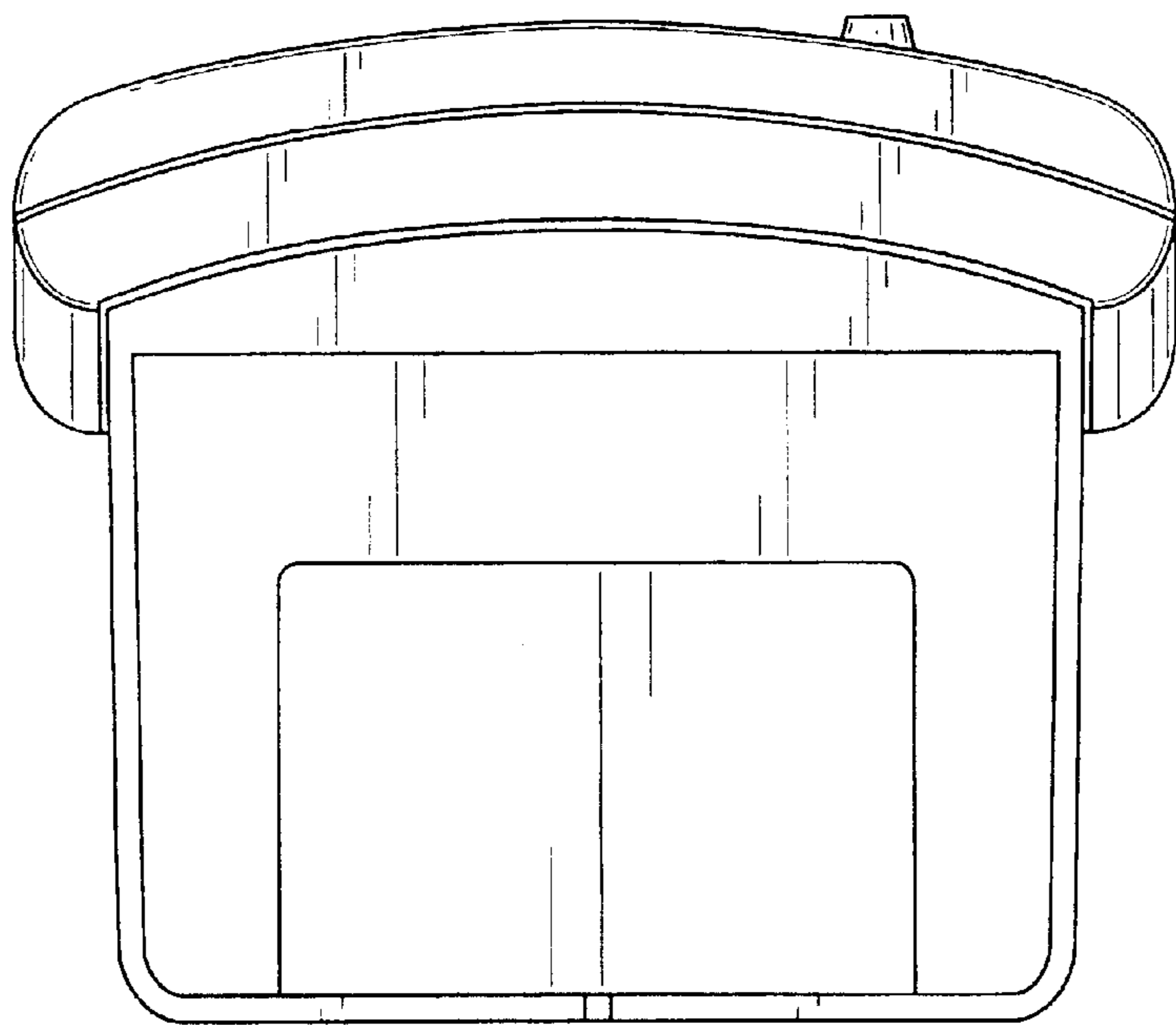


FIG. 6