

US00D542267S

(12) **United States Design Patent**
Cha et al.

(10) **Patent No.:** **US D542,267 S**

(45) **Date of Patent:** **** May 8, 2007**

(54) **HEADSET**

(75) Inventors: **Seong Won Cha**, Seoul (KR); **Joon Suh Kim**, Anyang-Si (KR); **Chang Soo Lee**, Incheon-si (KR)

(73) Assignee: **Samsung Electronics Co., Ltd.** (KR)

(**) Term: **14 Years**

(21) Appl. No.: **29/253,306**

(22) Filed: **Feb. 3, 2006**

(30) **Foreign Application Priority Data**

Nov. 4, 2005 (KR) 30-2005-0037209

(51) **LOC (8) Cl.** **14-01**

(52) **U.S. Cl.** **D14/206; D14/223**

(58) **Field of Classification Search** D14/138, D14/188, 192, 205, 206, 223; 181/129-130; 379/430, 431, 432, 433, 434; 381/381, 370, 381/374, 375, 376, 377, 378, 379, 380, 385
See application file for complete search history.

(56) **References Cited**

U.S. PATENT DOCUMENTS

- D326,653 S * 6/1992 Hino D14/192
- D471,889 S * 3/2003 Rath et al. D14/205
- D479,834 S * 9/2003 Salazar et al. D14/205
- 6,771,790 B2 * 8/2004 Liu 381/385
- D508,485 S * 8/2005 Katsumata D14/223

- D512,991 S * 12/2005 Yano D14/223
- D514,549 S * 2/2006 Rath et al. D14/223
- 7,020,300 B1 * 3/2006 Villaverde 381/375
- D526,313 S * 8/2006 Murray D14/223
- D528,529 S * 9/2006 Rose et al. D14/138
- D528,531 S * 9/2006 Rose et al. D14/138

* cited by examiner

Primary Examiner—Paula A. Greene

(74) *Attorney, Agent, or Firm*—Irving Keschner

(57) **CLAIM**

The ornamental design for headset, as shown.

DESCRIPTION

FIG. 1 is a perspective view of the ornamental design of the present invention;
 FIG. 2 is a front elevational view of the ornamental design of the present invention;
 FIG. 3 is a rear elevational view of the ornamental design of the present invention;
 FIG. 4 is a left side elevational view of the ornamental design of the present invention;
 FIG. 5 is a right side elevational view of the ornamental design of the present invention;
 FIG. 6 is a top plan view of the ornamental design of the present invention; and,
 FIG. 7 is a bottom view of the ornamental design of the present invention.

1 Claim, 3 Drawing Sheets

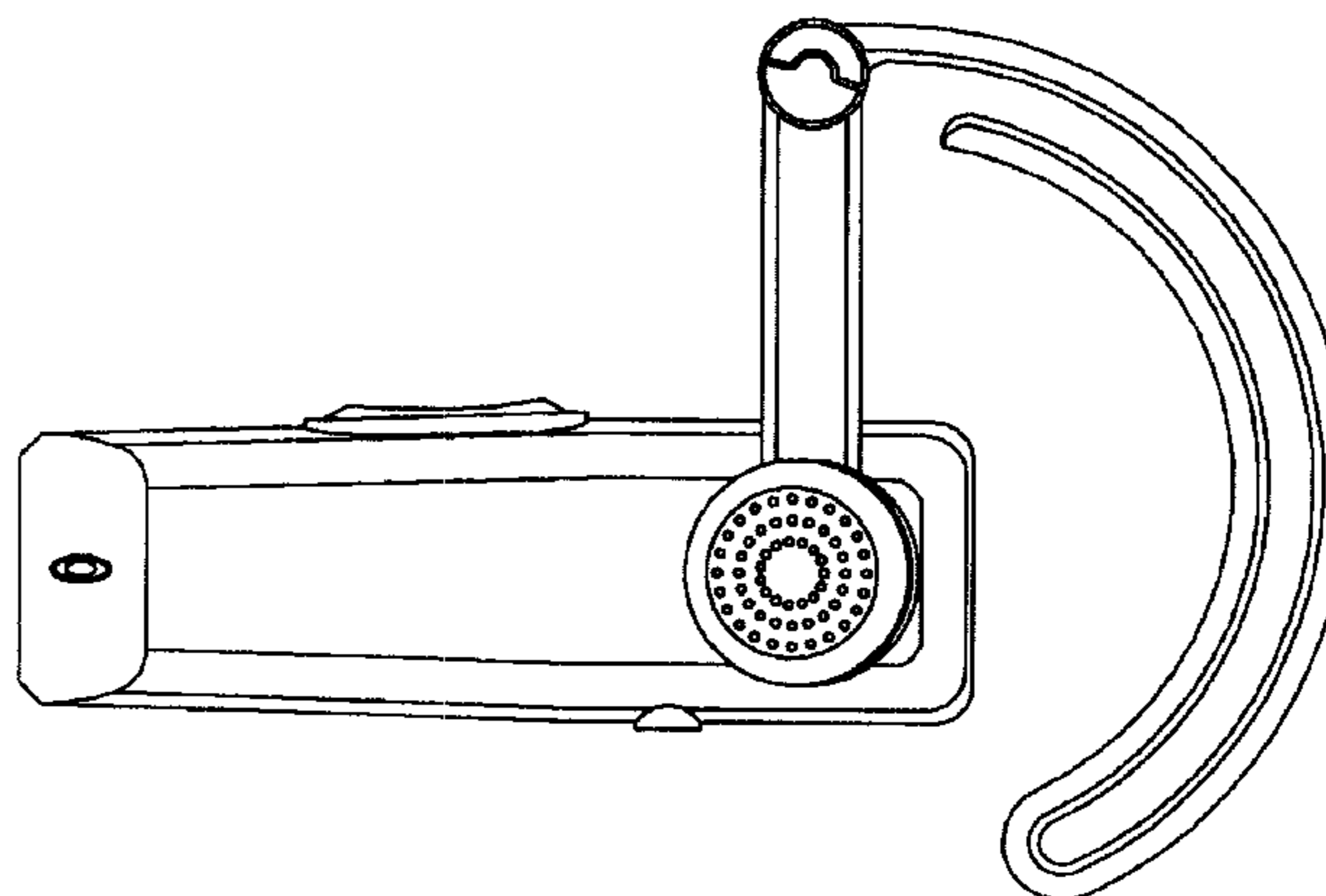
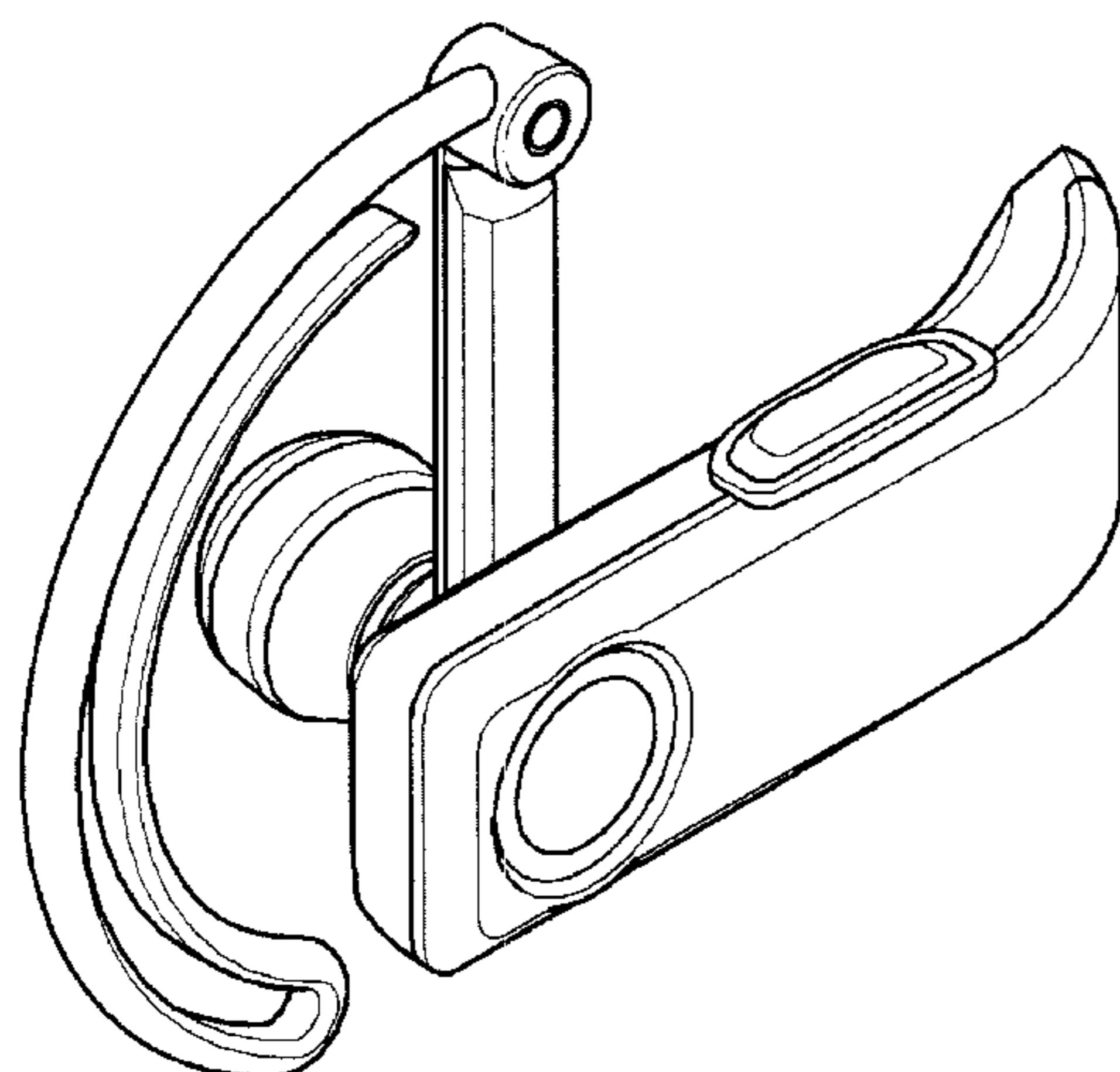


Fig. 1

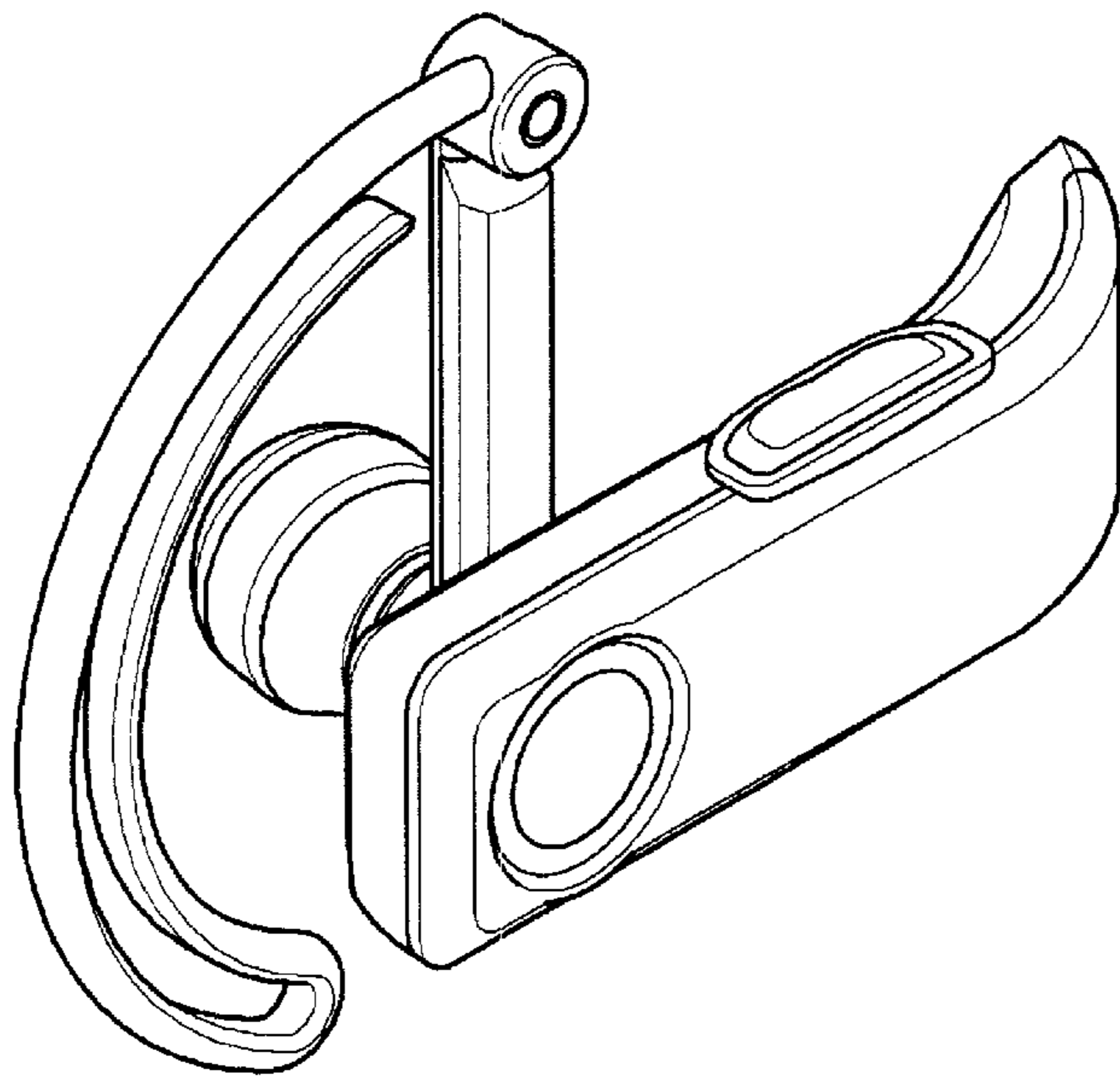


Fig. 2

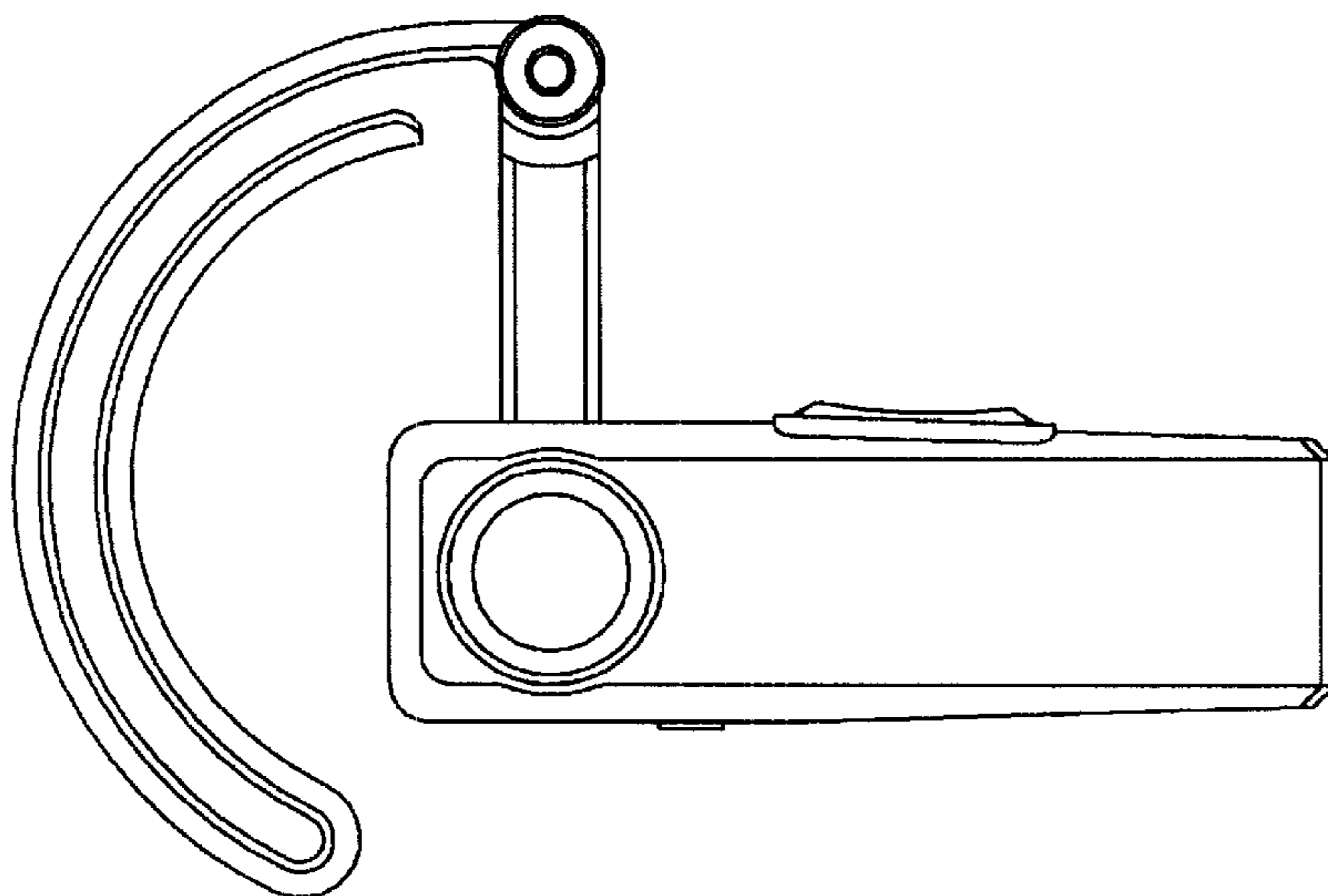


Fig. 3

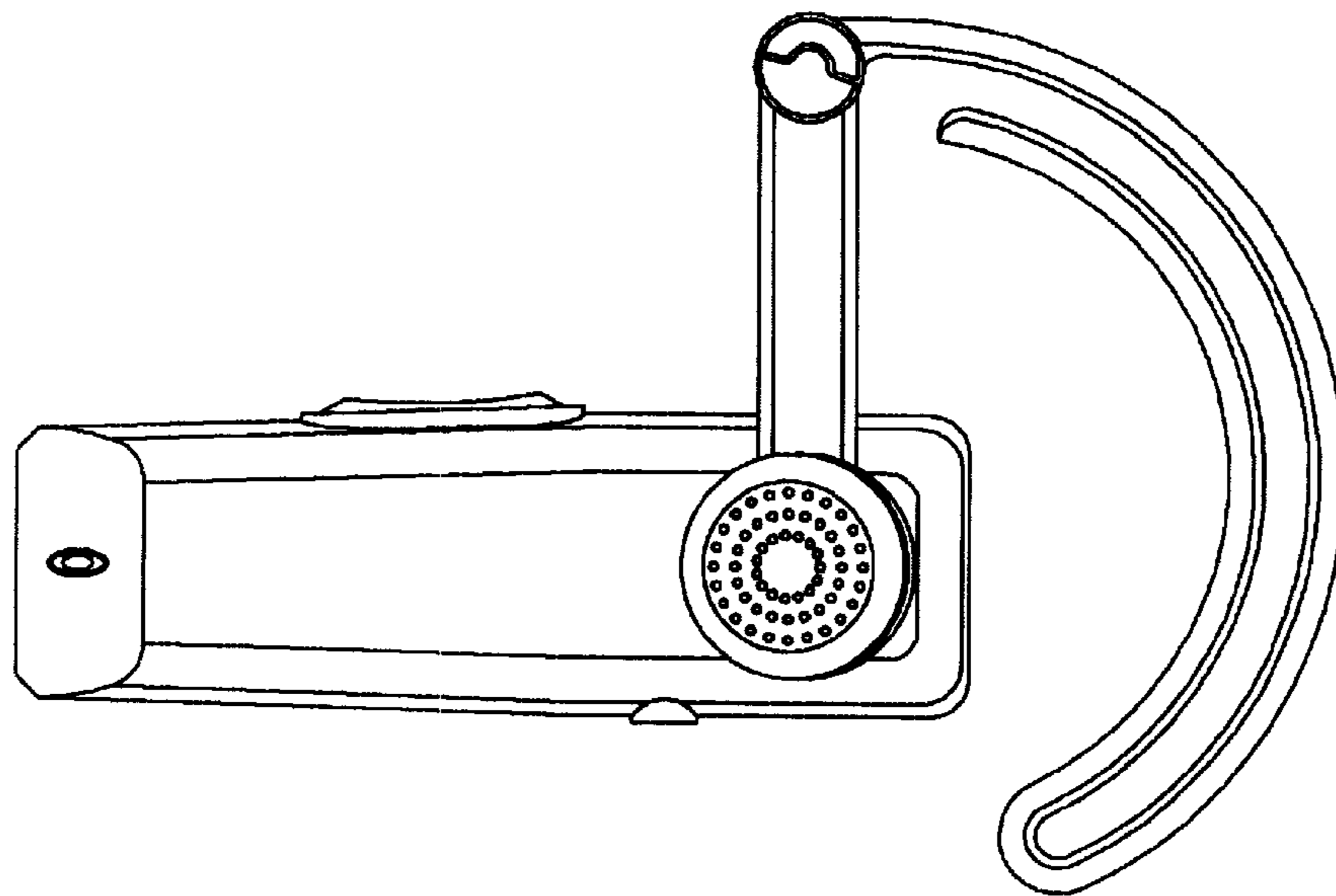


Fig. 4

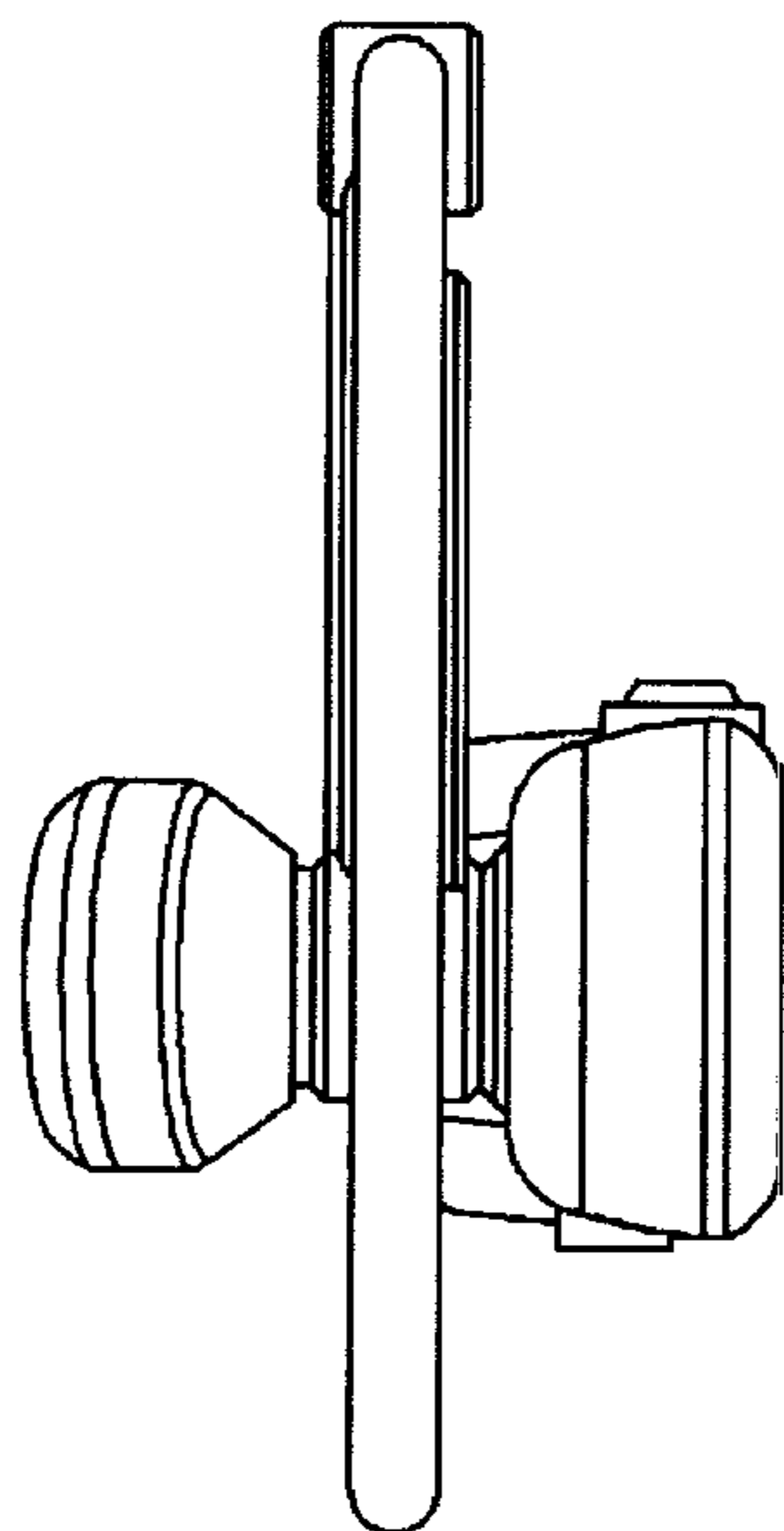


Fig. 5

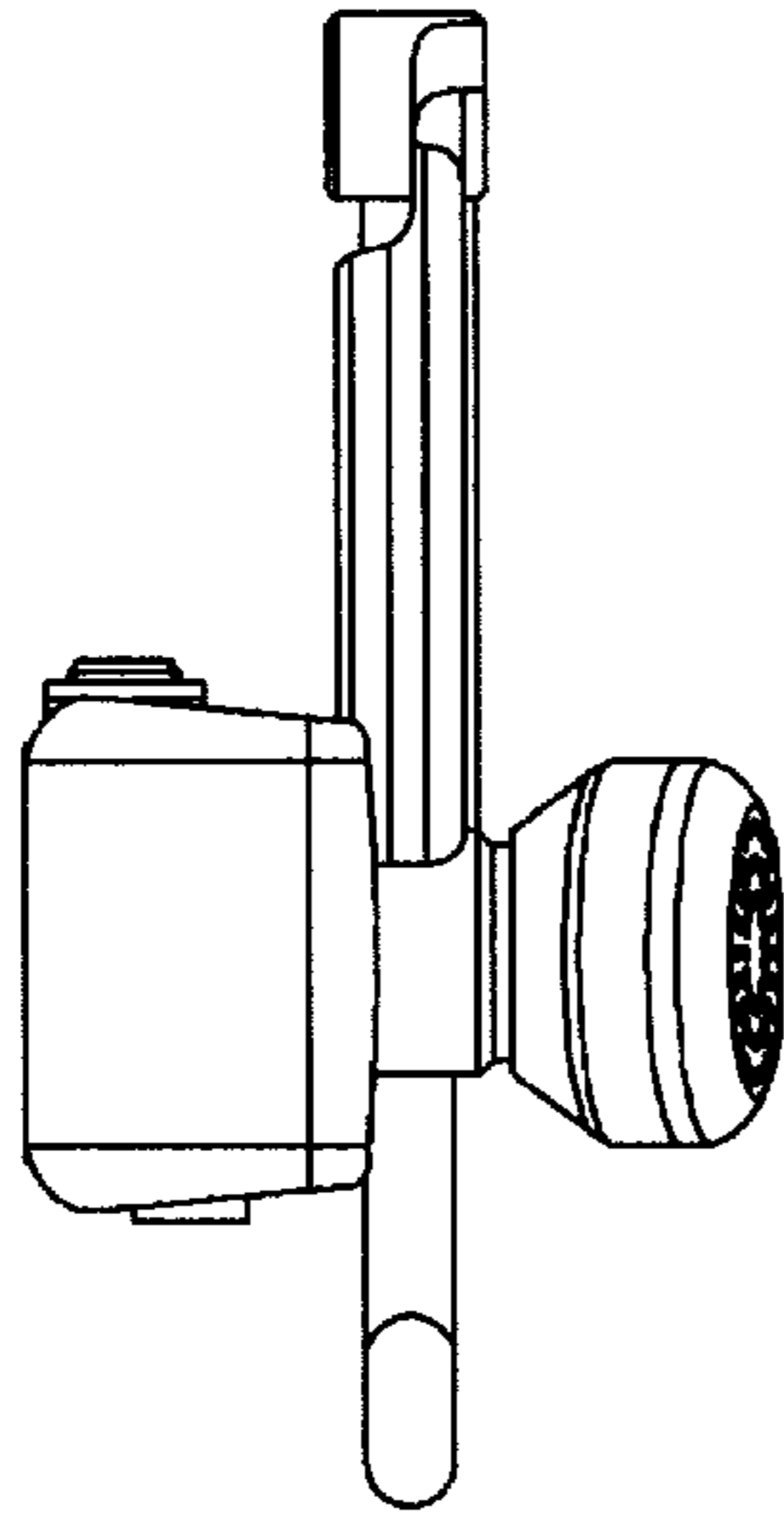


Fig. 6

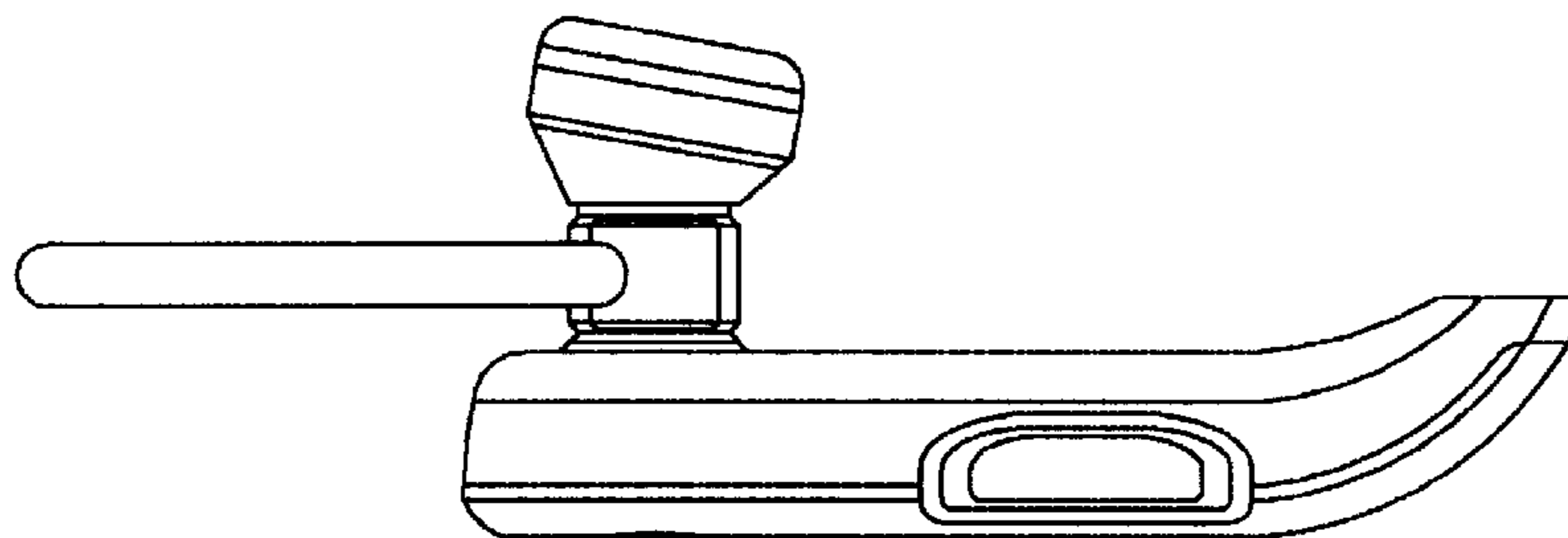


Fig. 7

