



US00D542261S

(12) **United States Design Patent**
Uehara et al.

(10) **Patent No.:** **US D542,261 S**

(45) **Date of Patent:** **** May 8, 2007**

(54) **DISC PLAYER**

(75) Inventors: **Mitsuhiro Uehara**, Tokyo (JP);
Takayuki Wada, Tokyo (JP)

(73) Assignee: **Sony Corporation**, Tokyo (JP)

(**) Term: **14 Years**

(21) Appl. No.: **29/240,863**

(22) Filed: **Oct. 20, 2005**

(30) **Foreign Application Priority Data**

May 31, 2005 (JP) D2005-015624
May 31, 2005 (JP) D2005-015625

(51) **LOC (8) Cl.** **14-01**

(52) **U.S. Cl.** **D14/156; D14/157**

(58) **Field of Classification Search** D14/135-136,
D14/156-157, 167-168, 192-198, 188, 257,
D14/258, 445; 360/99.02, 99.07; 720/612,
720/619, 647, 655; 455/344, 347-351; 369/75.11,
369/75.21, 77.21, 77.11

See application file for complete search history.

(56) **References Cited**

U.S. PATENT DOCUMENTS

D400,529 S * 11/1998 Kakizaki D14/157

D437,841 S * 2/2001 Kakizaki et al. D14/157
D475,691 S * 6/2003 Nishii et al. D14/157
D481,373 S 10/2003 Sogabe
D487,447 S 3/2004 Sadatsuki
D487,448 S 3/2004 Sadatsuki
D496,647 S 9/2004 Sogabe
D496,648 S 9/2004 Uehara
D506,456 S * 6/2005 Shindo D14/156
6,946,971 B2 * 9/2005 Matumoto et al. 369/75.11

* cited by examiner

Primary Examiner—Nanda Bondade

(57) **CLAIM**

The ornamental design for a disc player, as shown.

DESCRIPTION

FIG. 1 is a perspective view of a disc player showing our new design;

FIG. 2 is a front elevational view thereof;

FIG. 3 is a rear elevational view thereof;

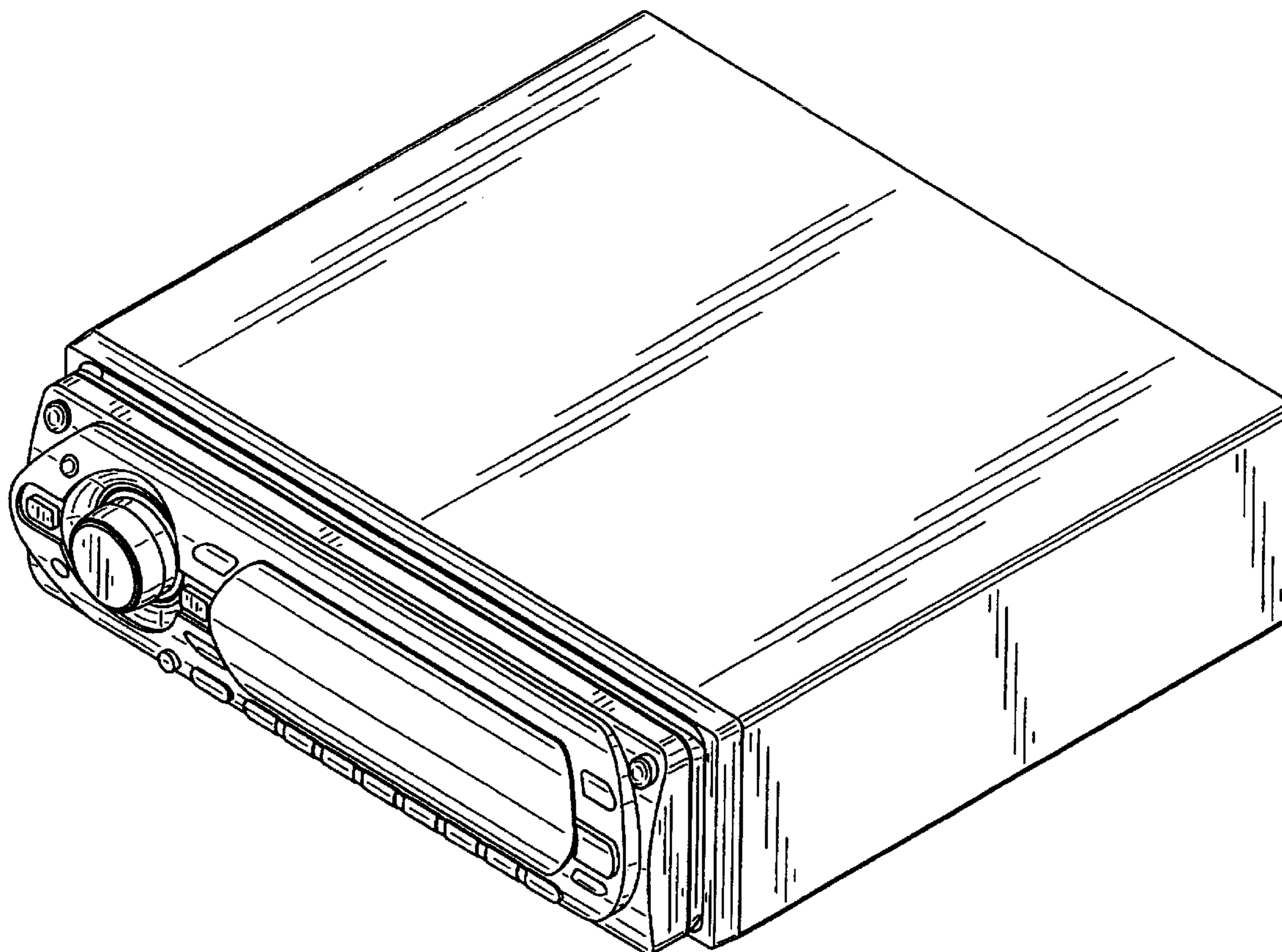
FIG. 4 is a left side elevational view thereof;

FIG. 5 is a right side elevational view thereof;

FIG. 6 is a top plan view thereof; and,

FIG. 7 is a bottom plan view thereof.

1 Claim, 7 Drawing Sheets



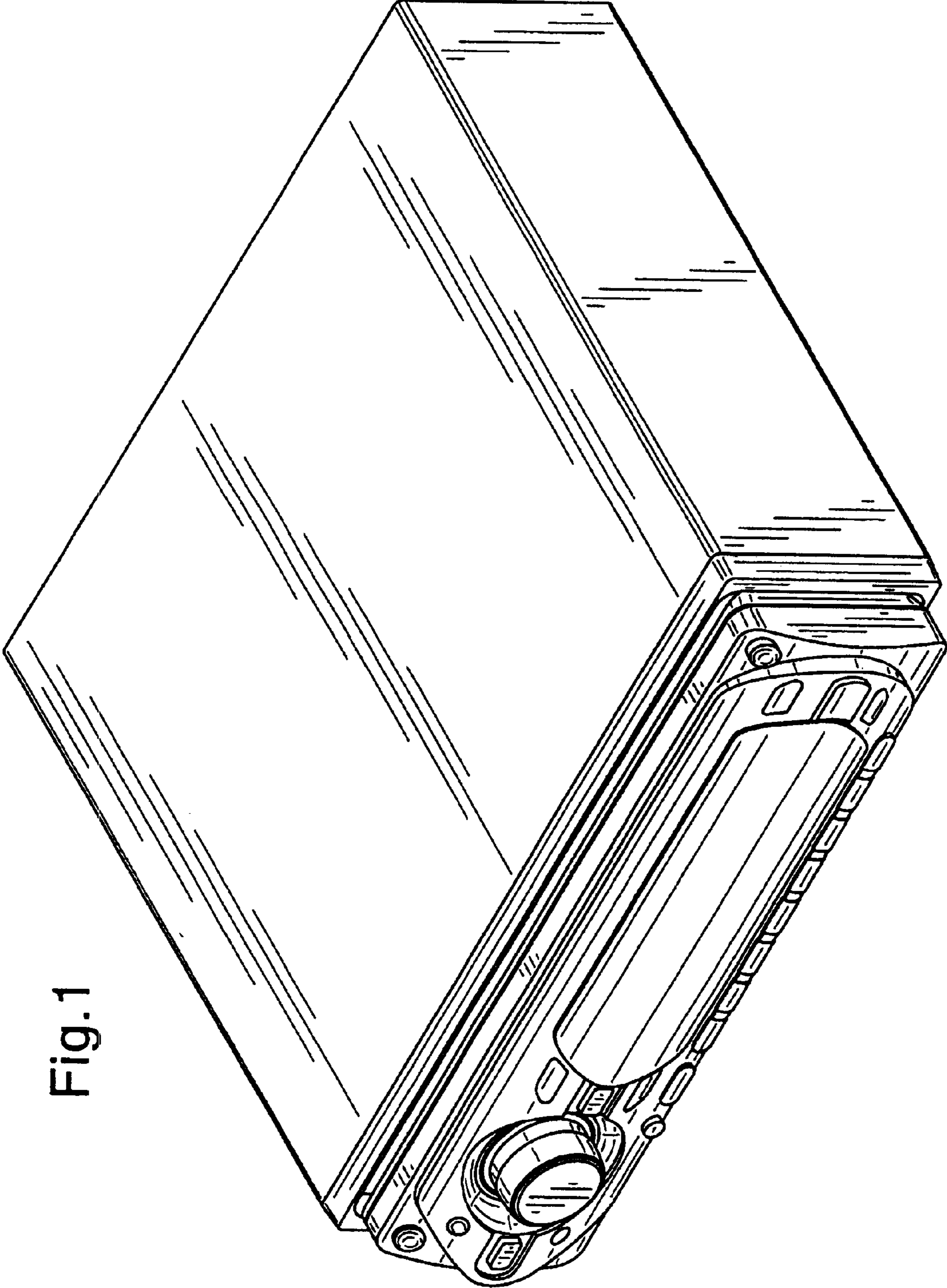


Fig.1

Fig.2

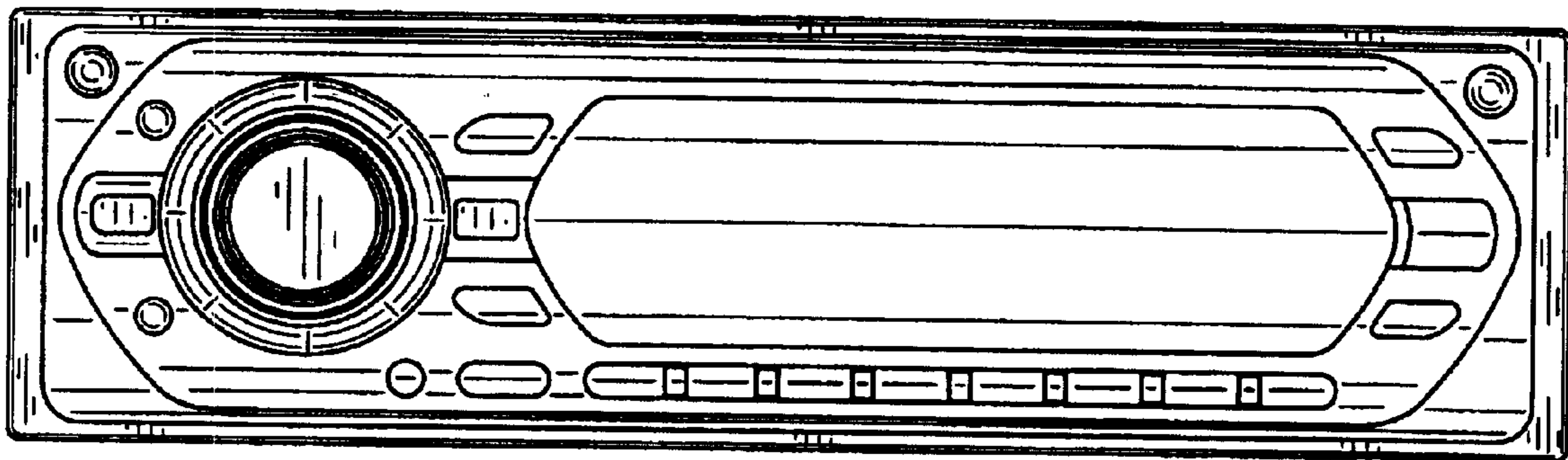


Fig.3

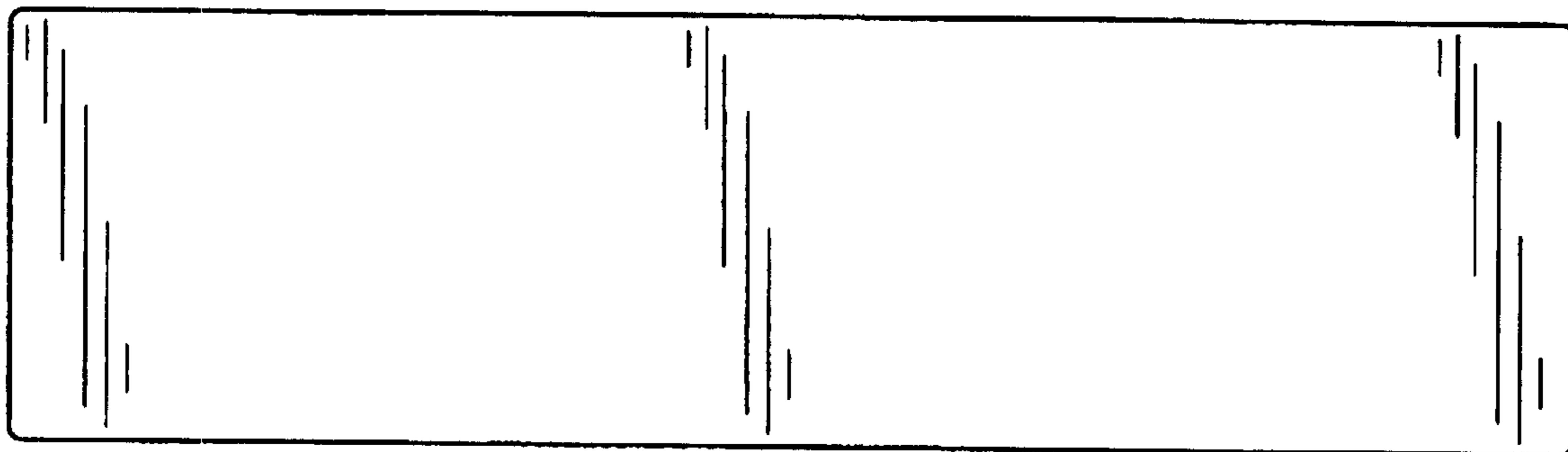


Fig.4

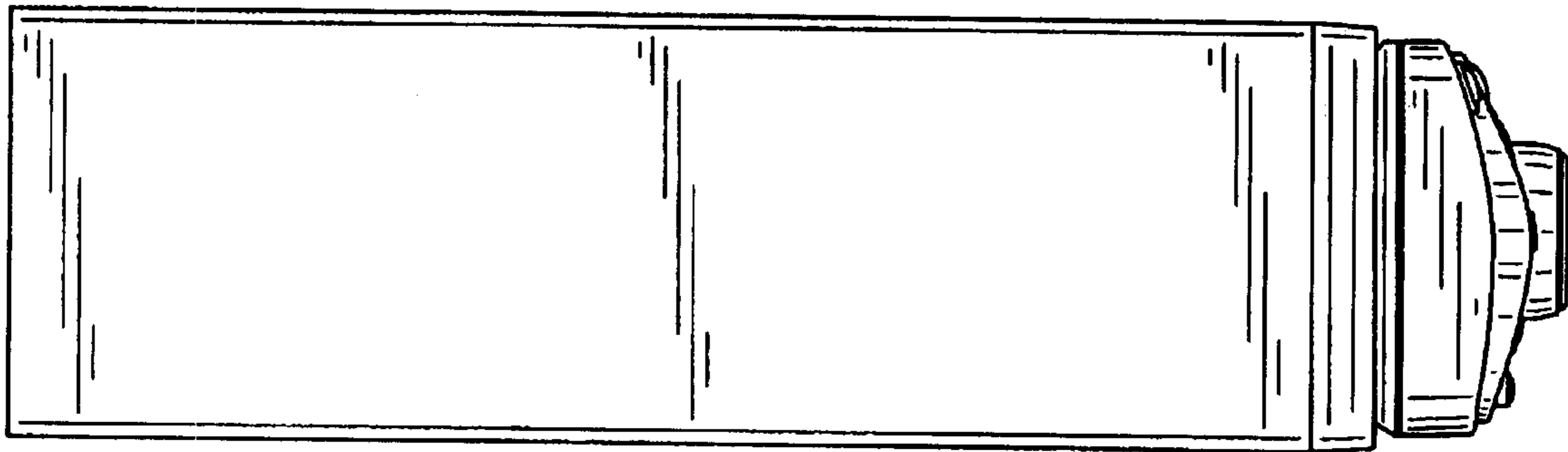


Fig.5

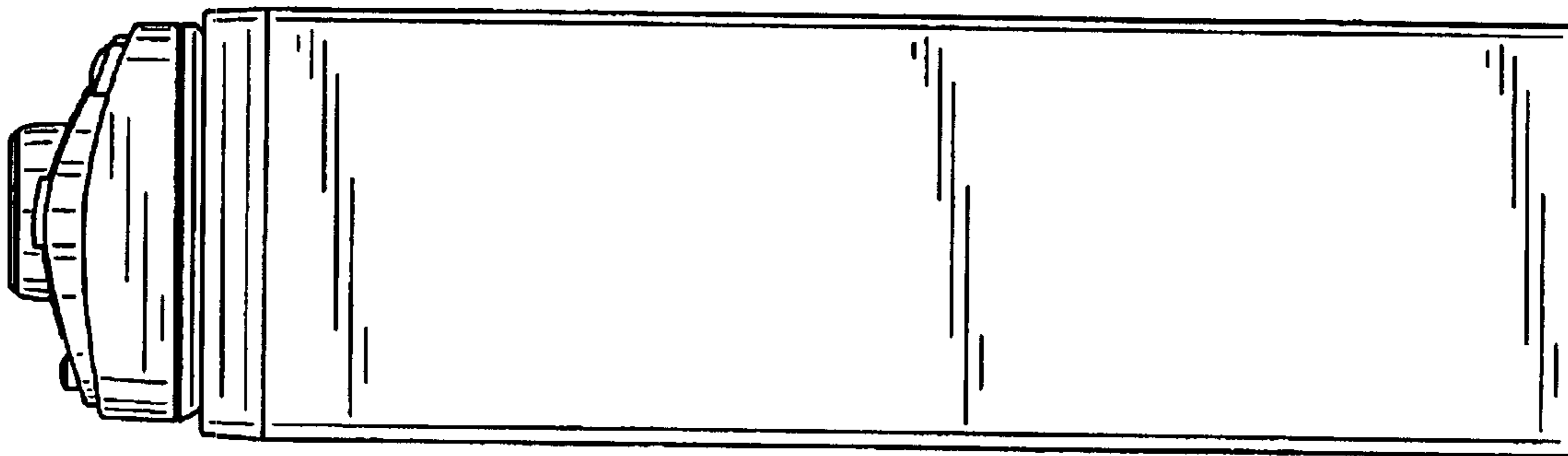


Fig.6

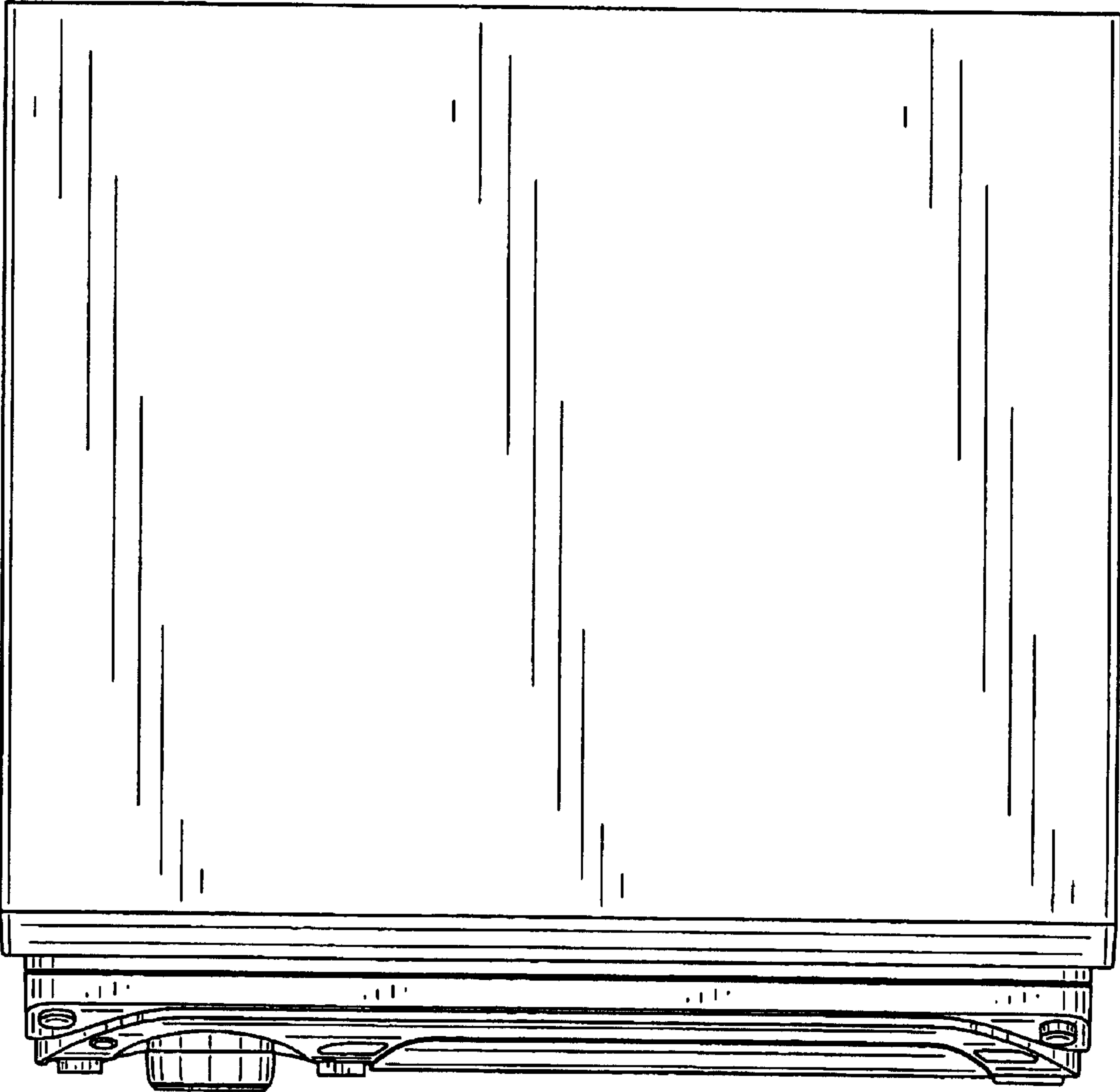


Fig.7

