

US00D542252S

(12) **United States Design Patent** (10) **Patent No.:** **US D542,252 S**
Lee (45) **Date of Patent:** **** May 8, 2007**

(54) **MOBILE PHONE**
(75) Inventor: **Chang Hoon Lee**, Seoul (KR)
(73) Assignee: **LG Electronics Inc.**, Seoul (KR)
(**) Term: **14 Years**

D520,980 S * 5/2006 Taniyama et al. D14/138
D523,833 S * 6/2006 Koh et al. D14/138
D524,776 S * 7/2006 Chang D14/138
D527,363 S * 8/2006 Kim et al. D14/138
D530,698 S * 10/2006 Lee et al. D14/138
2005/0075082 A1 * 4/2005 Iwai et al. 455/90.3
2005/0113156 A1 * 5/2005 Park et al. 455/575.4

(21) Appl. No.: **29/235,305**
(22) Filed: **Aug. 1, 2005**

FOREIGN PATENT DOCUMENTS

JP 805597 * 1/1991

(30) **Foreign Application Priority Data**

Feb. 2, 2005 (KR) 30-2005-0003657

OTHER PUBLICATIONS

Panasonic VS7 telephone, announced 1st Q 2005, [online], [retrieved on Dec. 10, 2006]. Retrieved from Internet , <URL: http://www.gsmarena.com>.*

(51) **LOC (8) Cl.** **14-03**
(52) **U.S. Cl.** **D14/138**
(58) **Field of Classification Search** D14/191,
D14/138, 147-148, 247-248, 144, 496, 156,
D14/341-347; 379/433.01-433.13; 455/575.3,
455/566, 575.1, 556.1, 556.2, 90.3; D21/517;
D16/208

Panasonic SA7 telephone, announced 1st Q 2005, [online], [retrieved on Dec. 10, 2006]. Retrieved from Internet , <URL: http://www.gsmarena.com>.*

See application file for complete search history.

* cited by examiner

Primary Examiner—Jeffrey Asch
(74) *Attorney, Agent, or Firm*—Birch, Stewart, Kolasch & Birch, LLP

(56) **References Cited**

U.S. PATENT DOCUMENTS

D451,485 S * 12/2001 Moss D14/138
D468,282 S * 1/2003 Chen D14/138
D486,464 S * 2/2004 Lee D14/138
D489,696 S * 5/2004 Cho D14/138
D496,020 S * 9/2004 Lee D14/138
D502,457 S * 3/2005 Eigenstetter et al. D14/138
D506,737 S * 6/2005 Koo et al. D14/138
D508,903 S * 8/2005 Kim et al. D14/138
D510,080 S * 9/2005 Kim et al. D14/138
D511,509 S * 11/2005 Kim et al. D14/138
D512,395 S * 12/2005 Kim et al. D14/138
D518,012 S * 3/2006 Fuxen D14/138
D518,812 S * 4/2006 Kim et al. D14/138
D519,478 S * 4/2006 Lee et al. D14/138
D519,480 S * 4/2006 Jung et al. D14/138

(57) **CLAIM**

The ornamental design for a mobile phone, as shown and described.

DESCRIPTION

FIG. 1 is a perspective view of a mobile phone showing my (our) new design;
FIG. 2 is a front view thereof;
FIG. 3 is a rear view thereof;
FIG. 4 is a left side view thereof;
FIG. 5 is a right side view thereof;
FIG. 6 is a top plan view thereof; and,
FIG. 7 is a bottom plan view thereof.

1 Claim, 6 Drawing Sheets

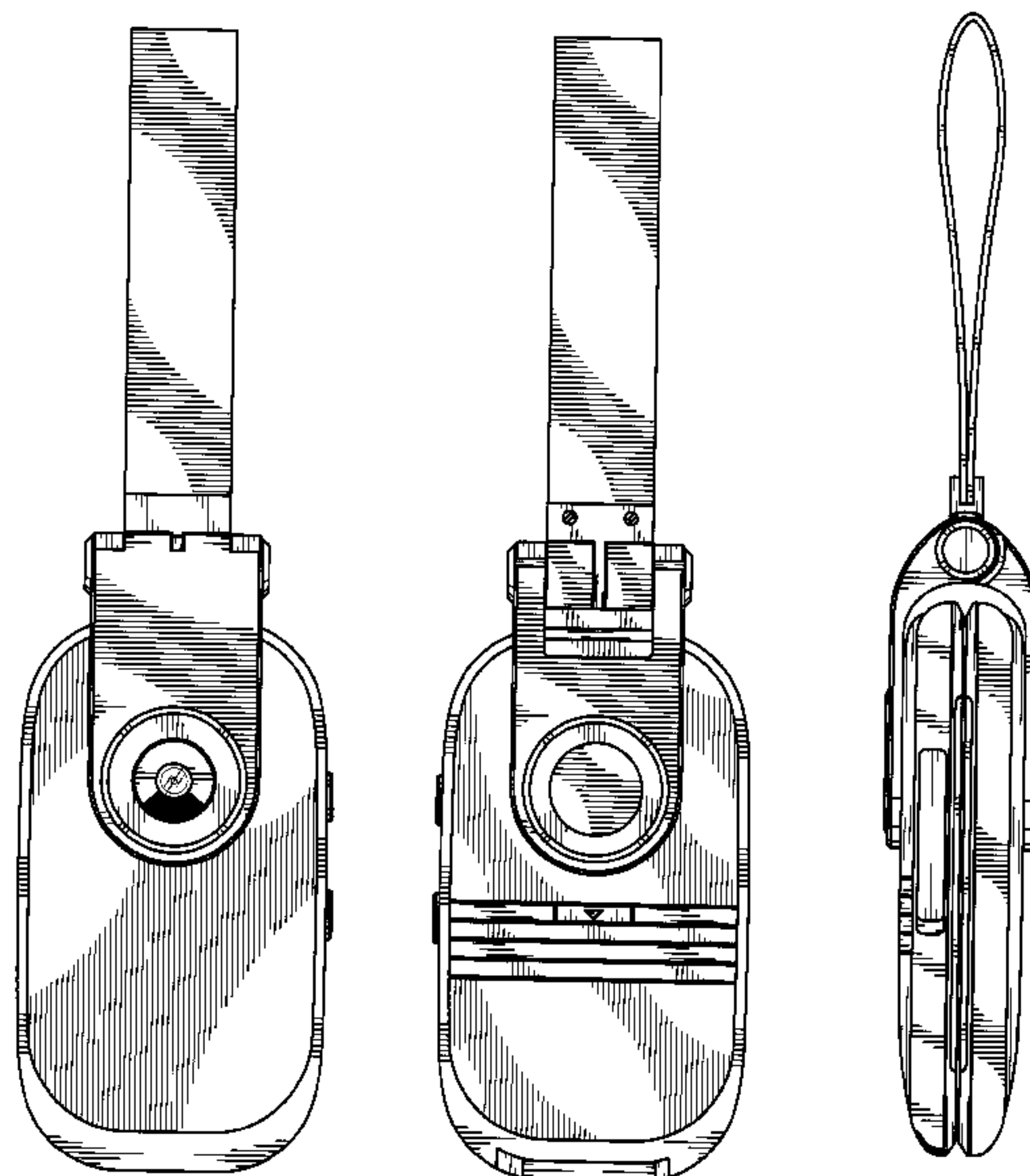


FIG. 1

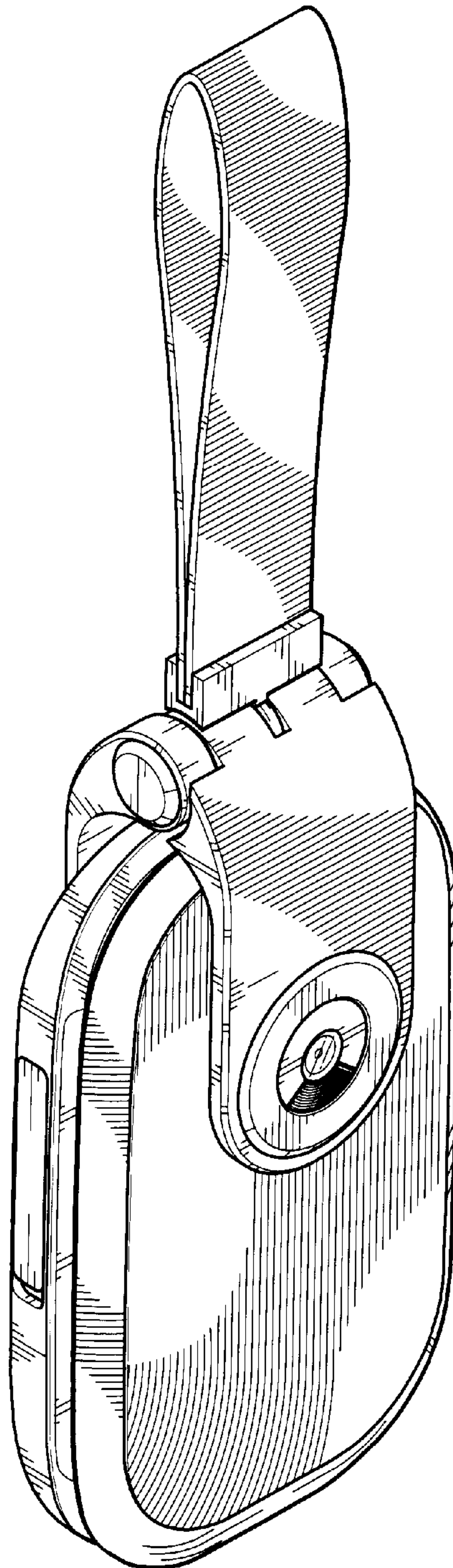


FIG. 2

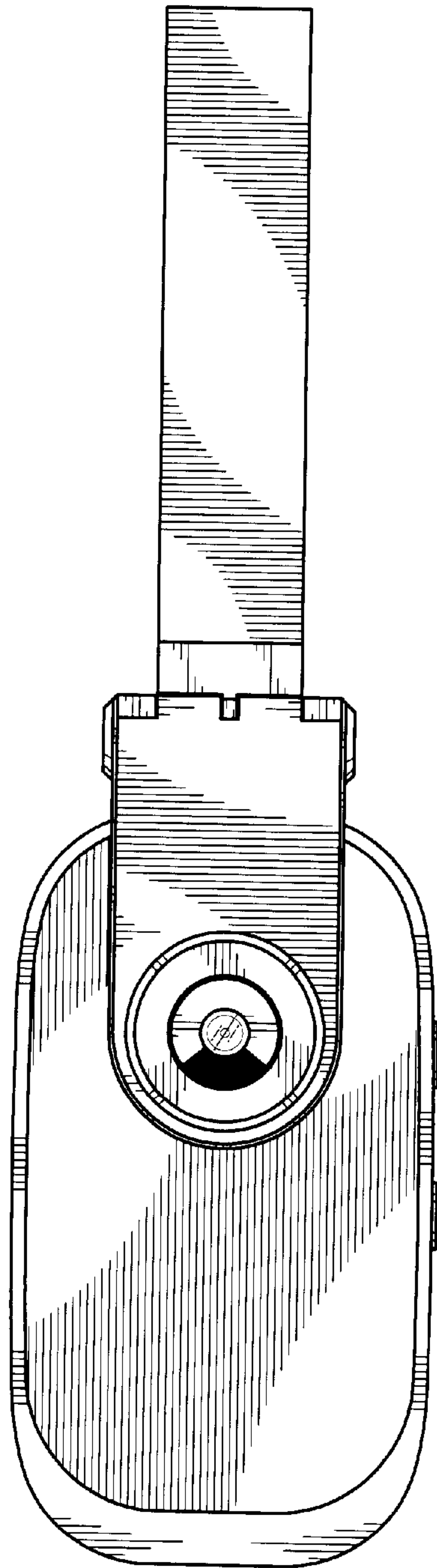


FIG. 3

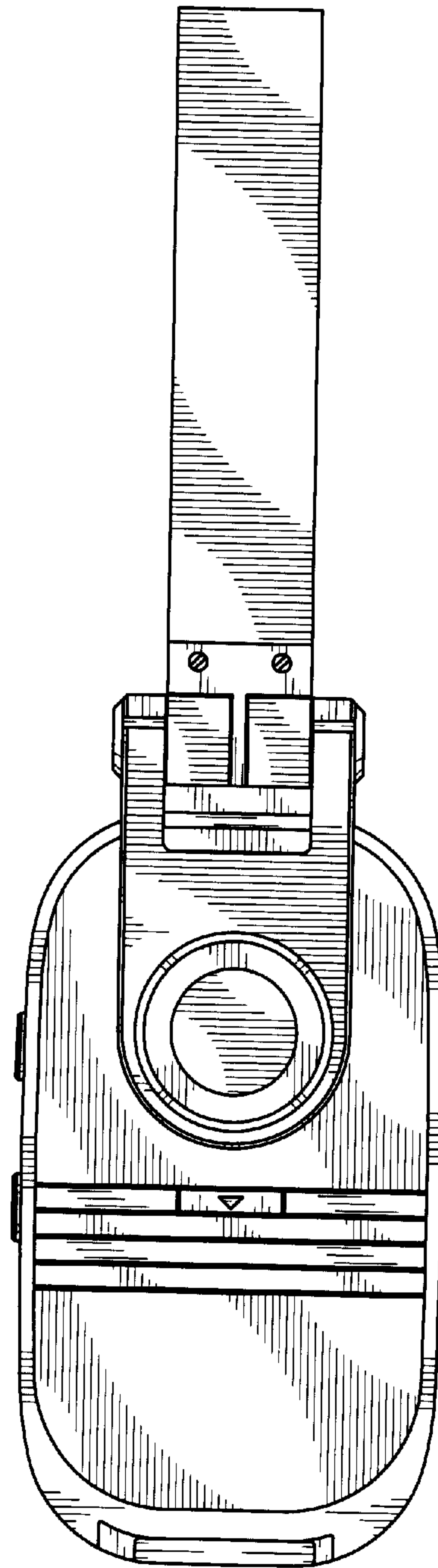


FIG. 4

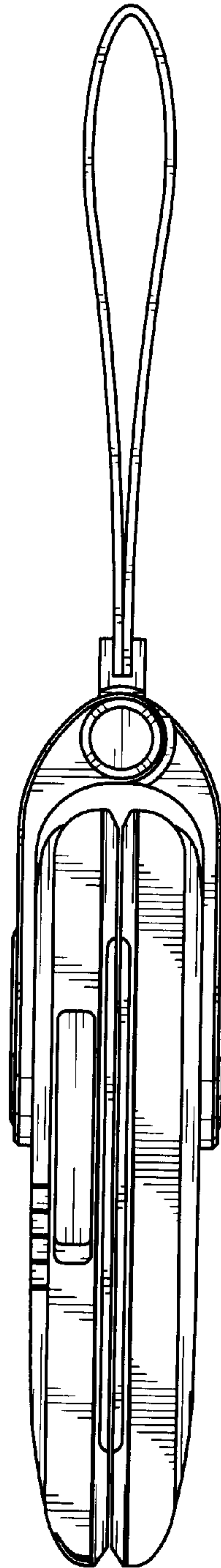


FIG. 5

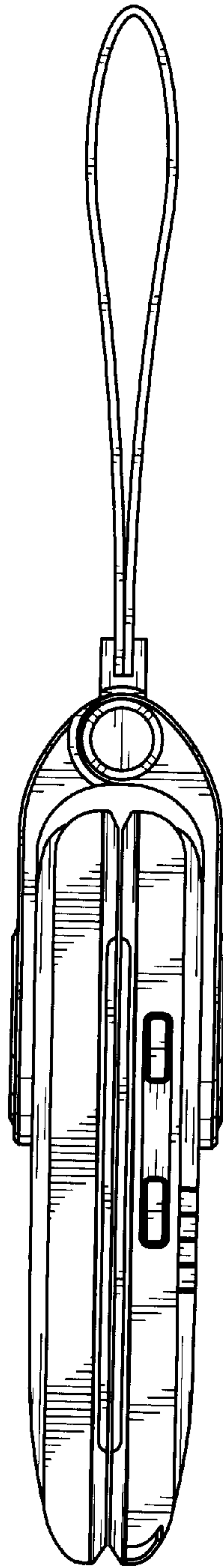


FIG. 6

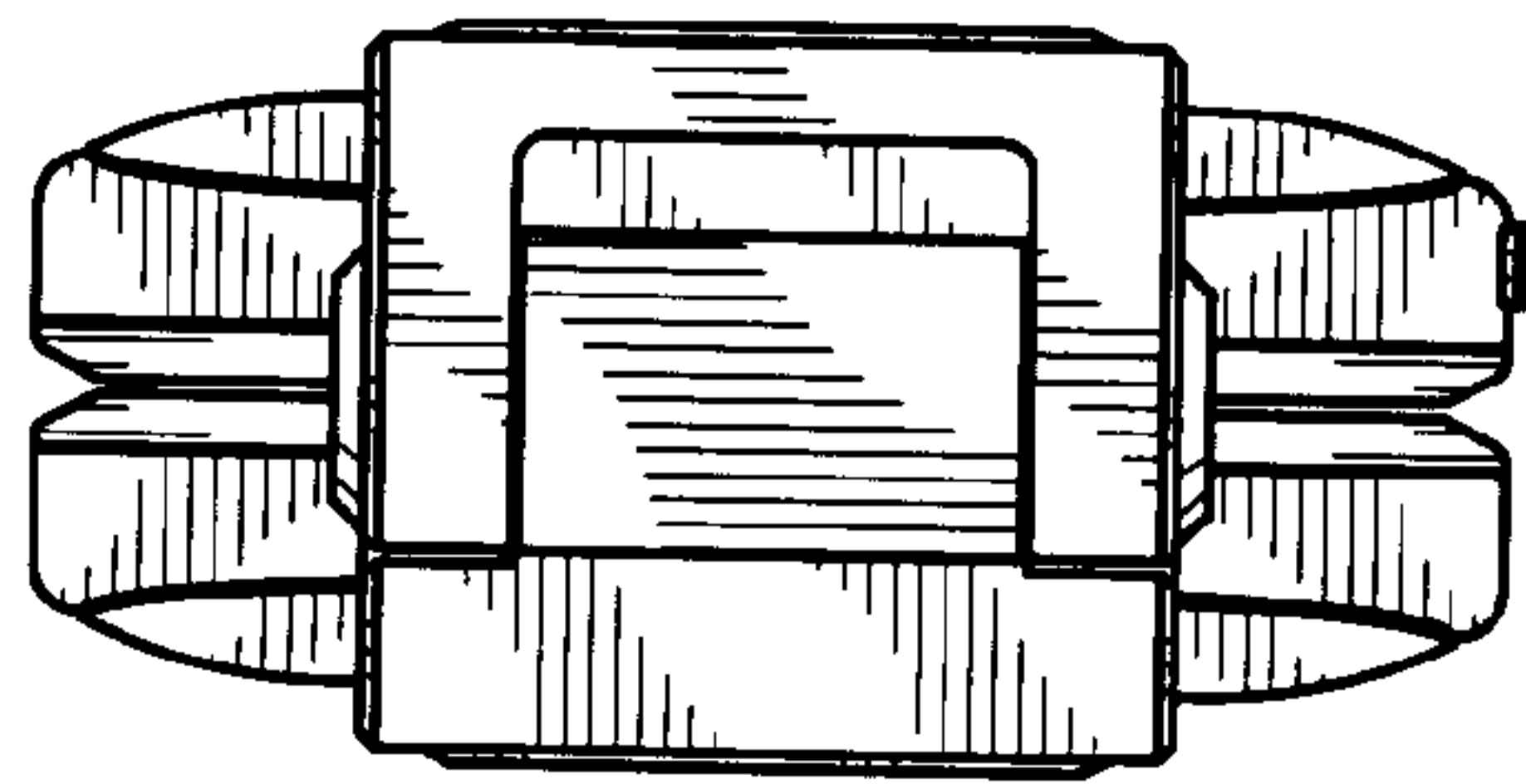


FIG. 7

