

US00D542250S

(12) **United States Design Patent**
Shimizu

(10) **Patent No.:** **US D542,250 S**

(45) **Date of Patent:** **** May 8, 2007**

(54) **COMBINED DISC PLAYER, RADIO RECEIVER AND TAPE RECORDER**

(75) Inventor: **Naoto Shimizu**, Tokyo (JP)

(73) Assignee: **Sony Corporation**, Tokyo (JP)

(**) Term: **14 Years**

(21) Appl. No.: **29/242,112**

(22) Filed: **Nov. 7, 2005**

(51) **LOC (8) Cl.** **14-01**

(52) **U.S. Cl.** **D14/136; D14/217**

(58) **Field of Classification Search** D14/135-136,
D14/156-157, 160-165, 167-168, 192-198,
D14/188, 217, 445; 360/99.02, 99.07; 369/75.11,
369/75.21, 77.21, 77.11; 720/612, 619, 647,
720/655; 455/344, 347-351

See application file for complete search history.

(56) **References Cited**

U.S. PATENT DOCUMENTS

D442,160 S	5/2001	Tsuchiya	
D473,205 S	* 4/2003	Tajima	D14/167
D480,070 S	9/2003	Hakoda	
D497,606 S	* 10/2004	Yang	D14/156
D506,459 S	6/2005	Obata et al.	
D506,742 S	* 6/2005	Obata et al.	D14/168

OTHER PUBLICATIONS

Web pag e:CFD-G500BLACK http://www.sonystyle.com/is-bin/INTERSHOP.enfinity/eCS/Store/en/-/USD/SY_DisplayProductInformation-Start?ProductSKU=

CFDG500BLACK&Dept=audio&CatalogoryName=pa_Boombox_Boombox, 2 sheets, Sony (Sep. 2005).

Web page "CFD-G55" http://www.mp3-player-news.com/sony_cfdg55_cdcassette_boombox_black_archive_shtml, 2 sheets, Sony (Sep. 2005).

* cited by examiner

Primary Examiner—Nanda Bondade

(74) *Attorney, Agent, or Firm*—Rader, Fishman & Grauer PLLC

(57) **CLAIM**

The ornamental design for a combined disc player, radio receiver and tape recorder, as shown and described.

DESCRIPTION

FIG. 1 is a perspective view of a combined disc player, radio receiver and tape recorder showing my new design;

FIG. 2 is a front elevational view thereof;

FIG. 3 is a left side elevational view thereof;

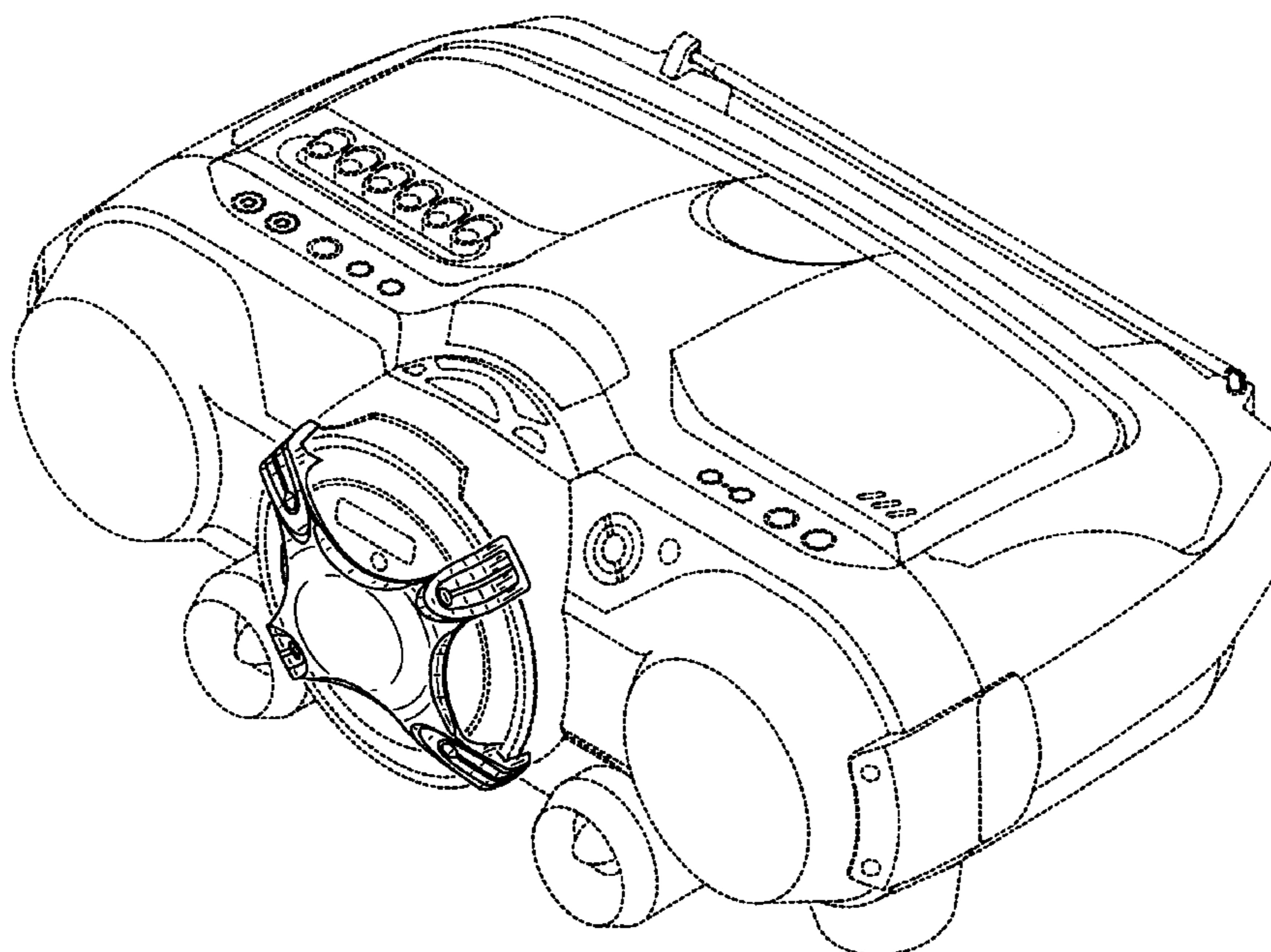
FIG. 4 is a right side elevational view thereof;

FIG. 5 is a top plan view thereof; and,

FIG. 6 is a bottom plan view thereof.

Portions of FIGS. 1-6 that are shown as broken lines are for illustrative purpose only and form no part of the claimed design.

1 Claim, 6 Drawing Sheets



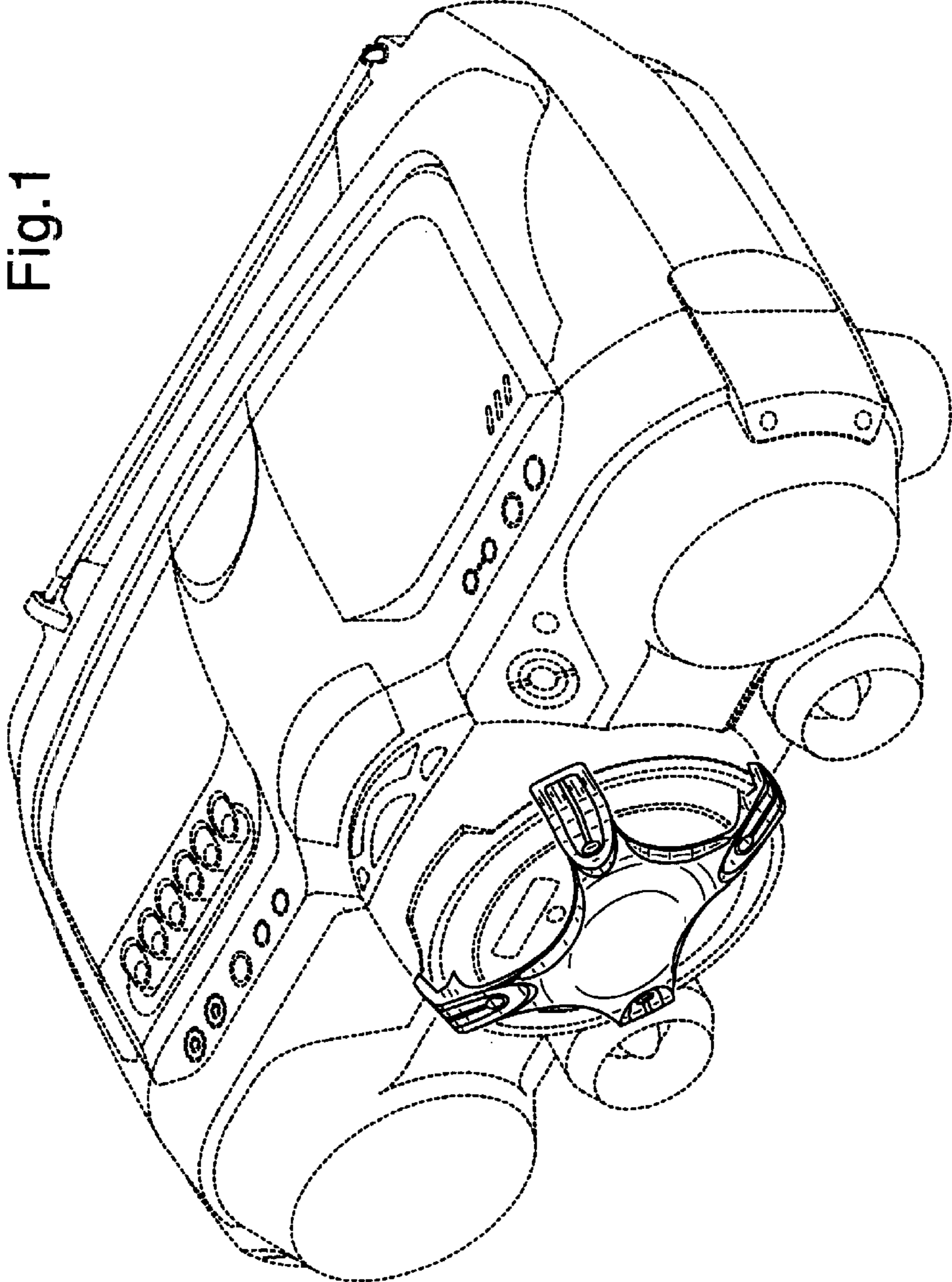


Fig. 1

Fig. 2

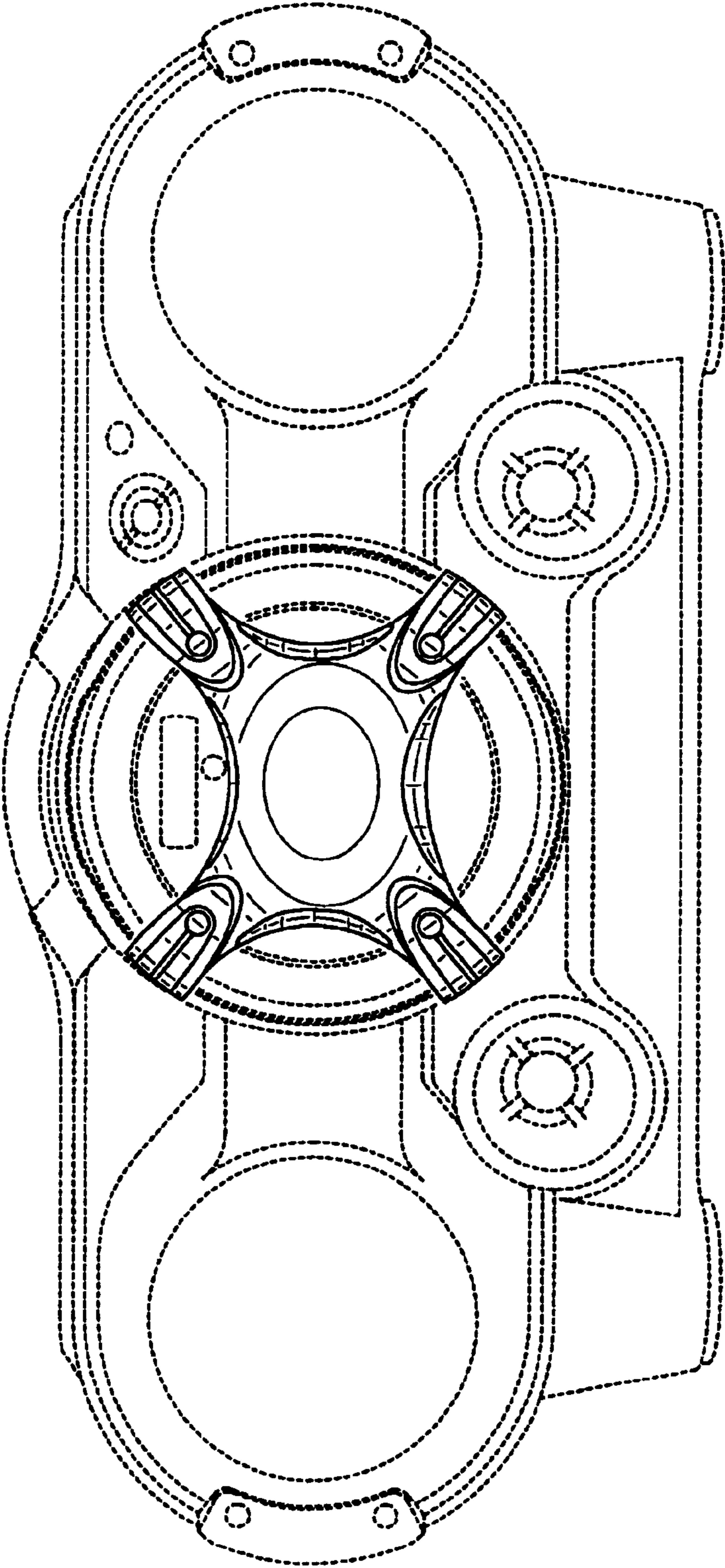


Fig.3

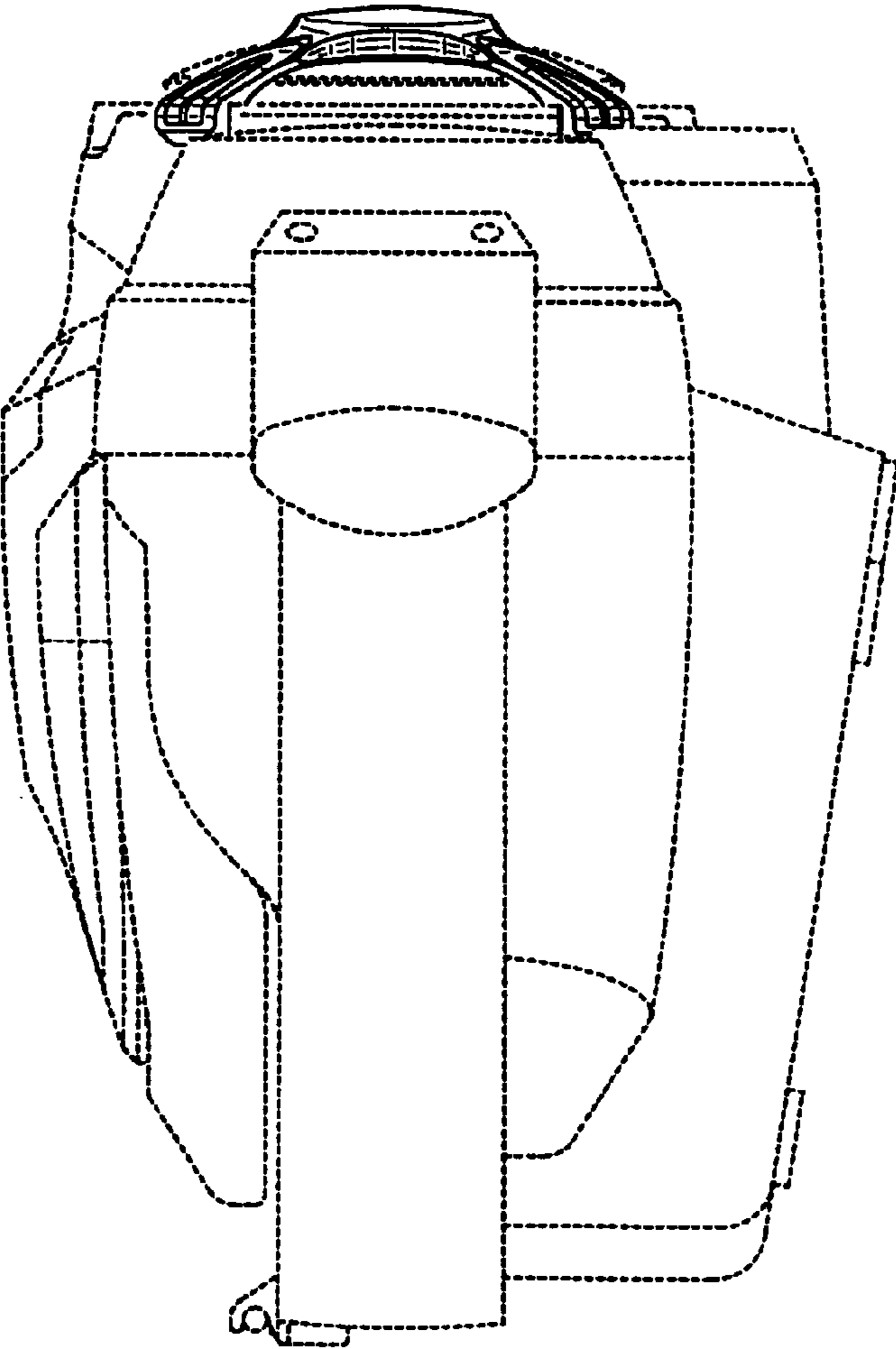


Fig. 4

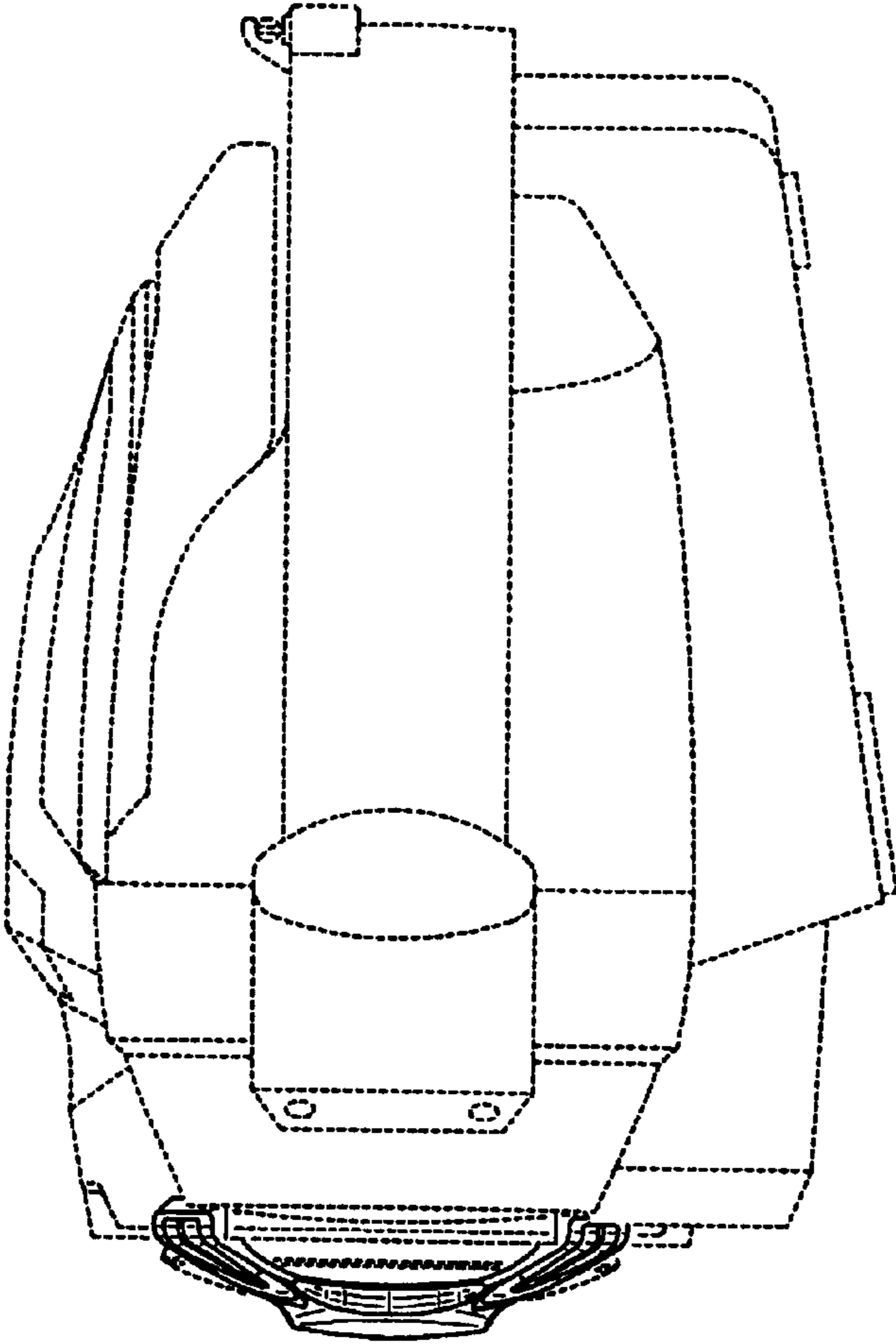


Fig.5

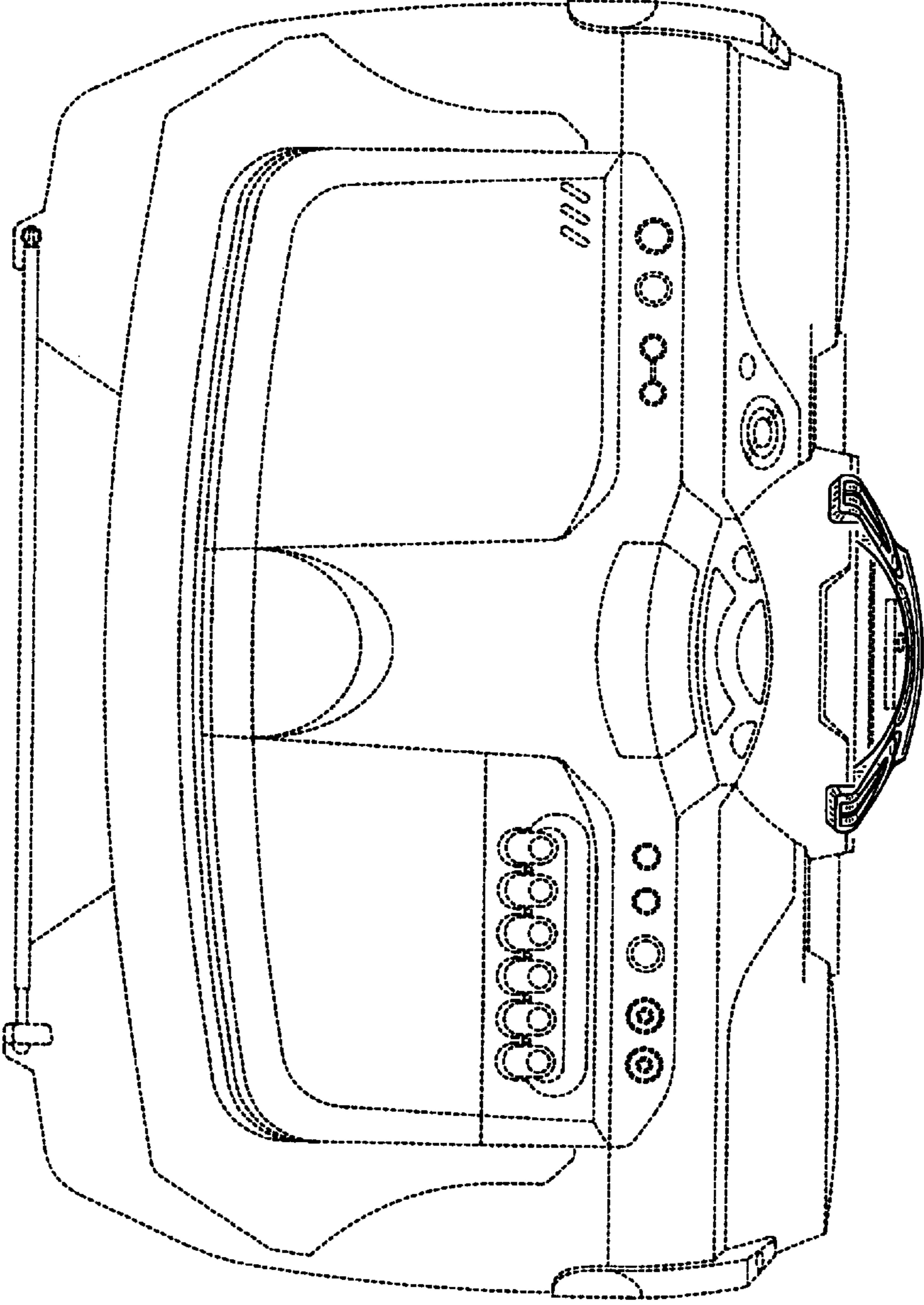


Fig.6

