



US00D542249S

(12) **United States Design Patent**
Ishibashi

(10) **Patent No.:** **US D542,249 S**

(45) **Date of Patent:** **** May 8, 2007**

(54) **DISC PLAYER**

(75) Inventor: **Yasuhiro Ishibashi**, Tokyo (JP)

(73) Assignee: **Sony Corporation**, Tokyo (JP)

(**) Term: **14 Years**

(21) Appl. No.: **29/230,014**

(22) Filed: **May 17, 2005**

(51) **LOC (8) Cl.** **14-01**

(52) **U.S. Cl.** **D14/136; D14/217**

(58) **Field of Classification Search** D14/135-136,
D14/156-157, 160-165, 167-168, 193-198,
D14/188, 217, 257, 258, 445; 360/99.02,
360/99.07; 369/75.11, 75.21, 77.21, 77.11;
720/612, 619, 647, 655; 455/344, 347-351
See application file for complete search history.

(56) **References Cited**

U.S. PATENT DOCUMENTS

D380,756 S	*	7/1997	Ohba	D14/168
D409,611 S	*	5/1999	Ito et al.	D14/168
D441,351 S	*	5/2001	Ito et al.	D14/168
D475,036 S	*	5/2003	Tejima	D14/168
D479,519 S		9/2003	Hisatsune		
D488,798 S		4/2004	Ishii et al.		
D502,696 S	*	3/2005	Ishibashi	D14/198

OTHER PUBLICATIONS

Web page “Sony United Kingdom, DAV-SB300”, http://www.sony.co.uk/ShowProduct.do?site=odw_en_GB&category=HCS+Surround+Kit+%26+DVD+Player&product=DAV-SB300, 1 sheet, Sony (Mar. 2005).

Web page “Sony India, DAV-SB200” <http://www.sonyindia.co.in/sonyindia/products/DisplayProduct.jsp?model-Number=DAV-SB200>, 2 sheets, Sony (Mar. 2005).

Web page “Sony United Kingdom, DAV-SB100” http://www.sony.co.uk/ShowProduct.do?site=odw_en_GB&category=HCS+Surround+Kit+%26+DVD+Player&product=DAV-SB100, 1 sheet, Sony (Mar. 2005).
Web page “Sony ProductosDetalles, DAV-BC150” <http://www.sony.com.ec/corporate?page=productosDetalles&top=1925&model=DAV-BC150>, 2 sheets, Sony (Mar. 2005).

* cited by examiner

Primary Examiner—Nanda Bondade
(74) *Attorney, Agent, or Firm*—Radr, Fishman & Grauer PLLC

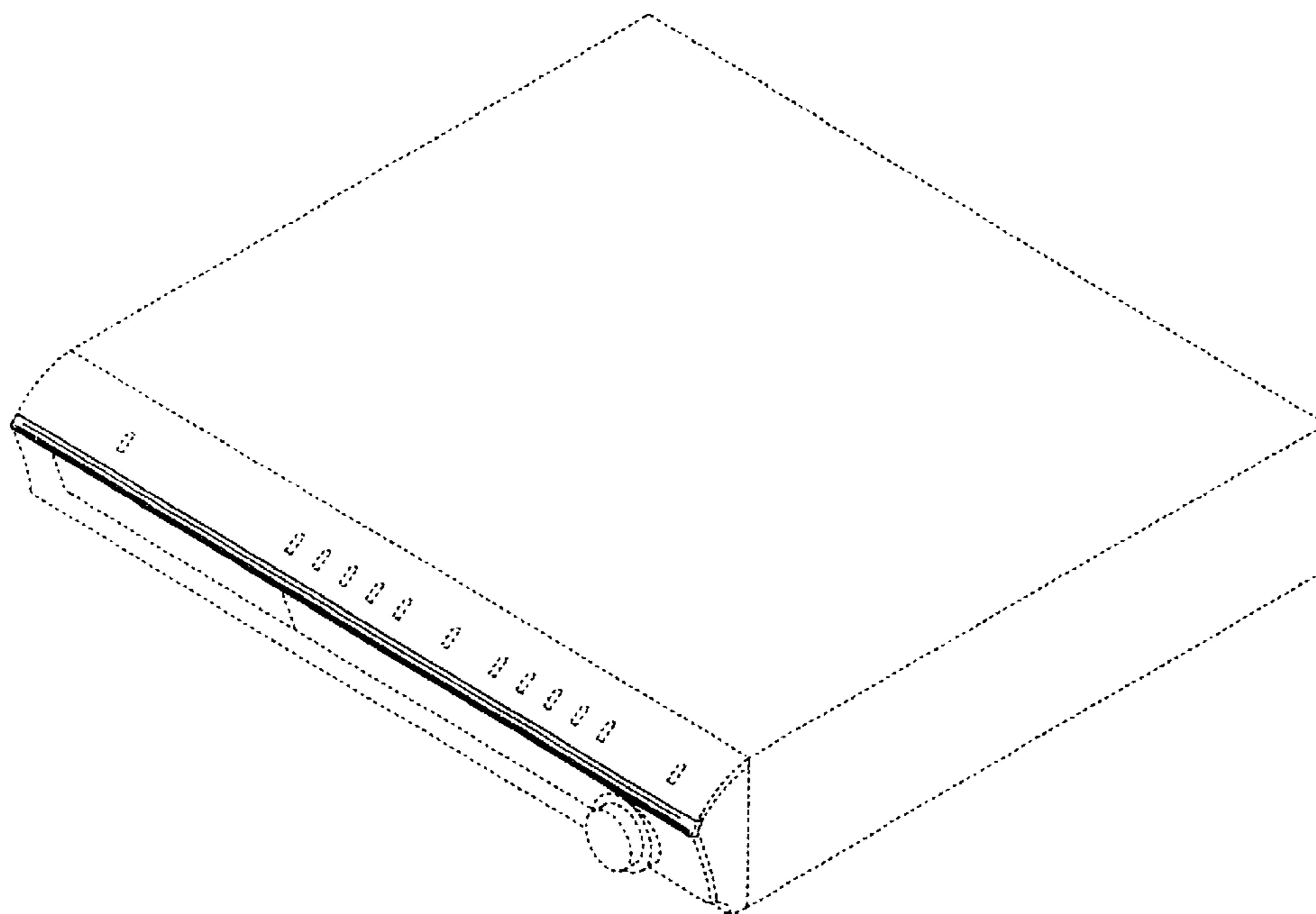
(57) **CLAIM**

The ornamental design for a disc player, as shown and described.

DESCRIPTION

FIG. 1 is a perspective view of a disc player showing my new design;
FIG. 2 is a front elevational view thereof;
FIG. 3 is a left side elevational view thereof;
FIG. 4 is a right side elevational view thereof;
FIG. 5 is a top plan view thereof; and,
FIG. 6 is a bottom plan view thereof.
Portions of FIGS. 1-6 that are shown as broken lines are for illustrative purpose only and form no part of the claimed design.

1 Claim, 6 Drawing Sheets



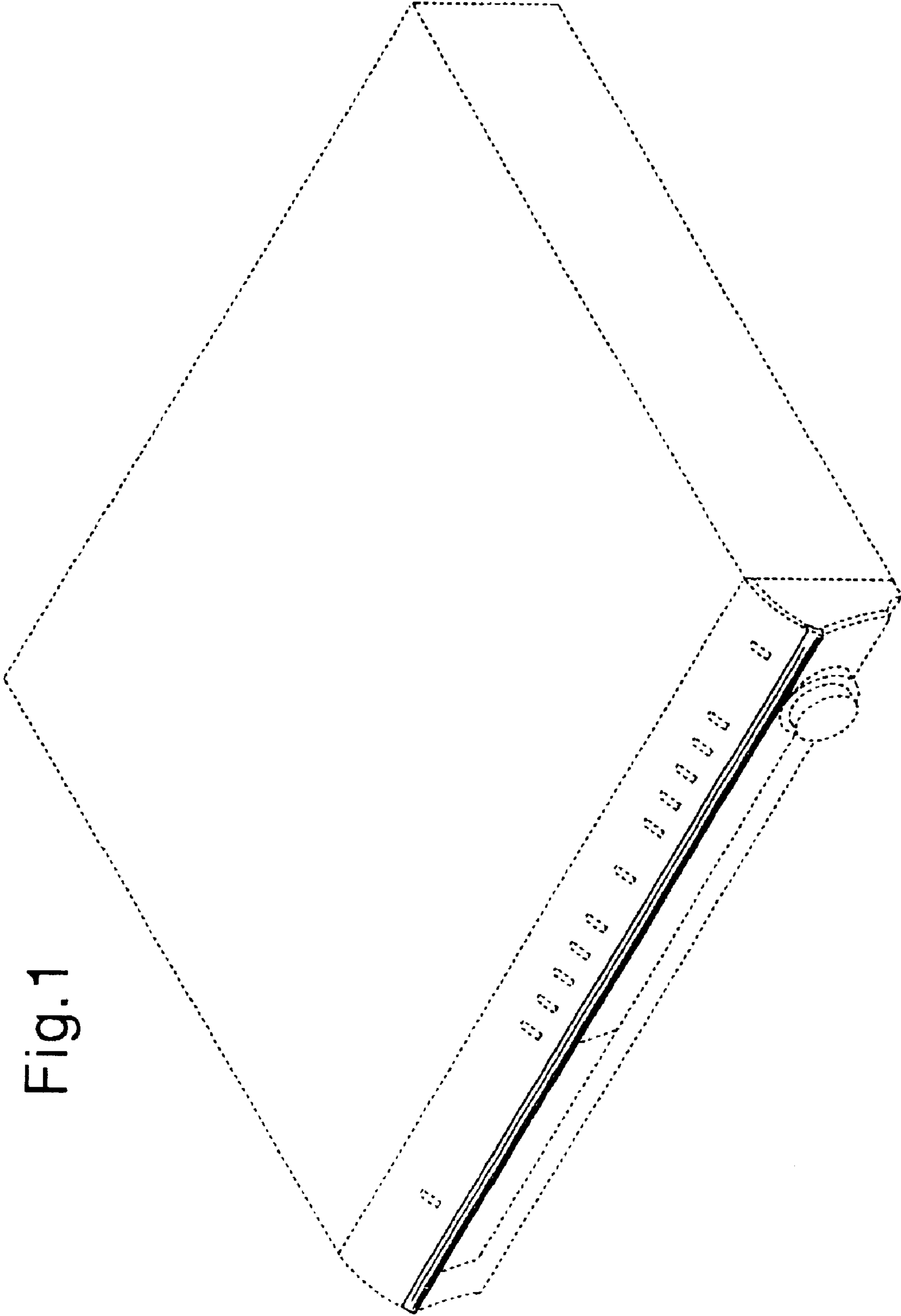


Fig. 1

Fig.2

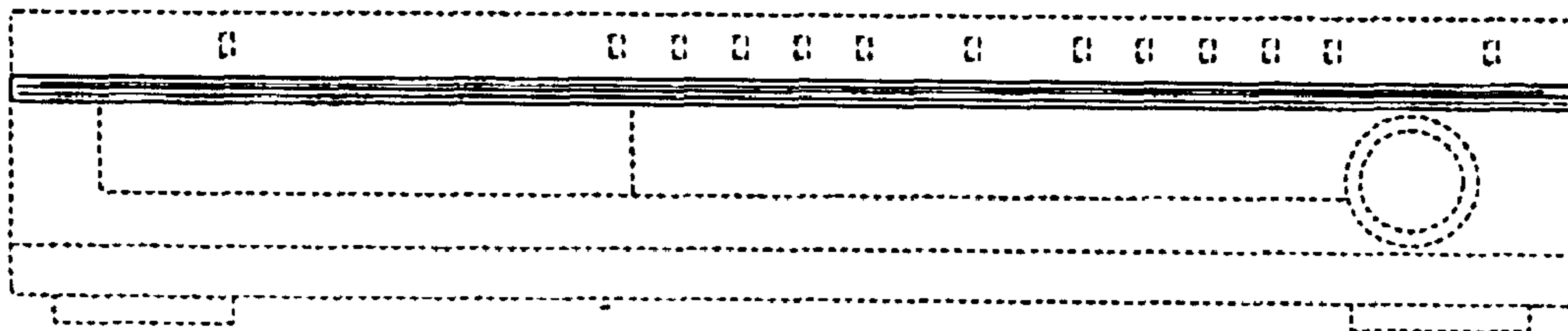


Fig.3

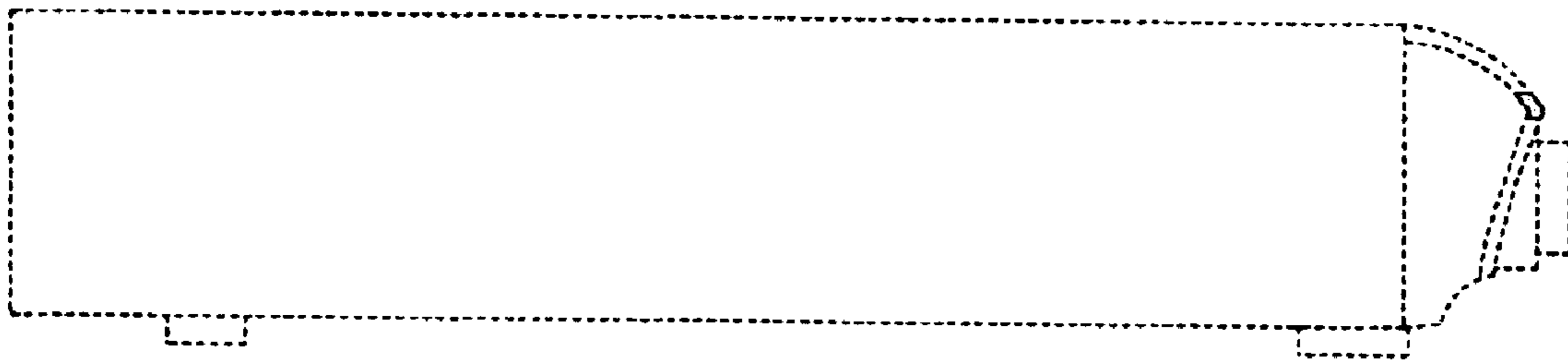


Fig.4

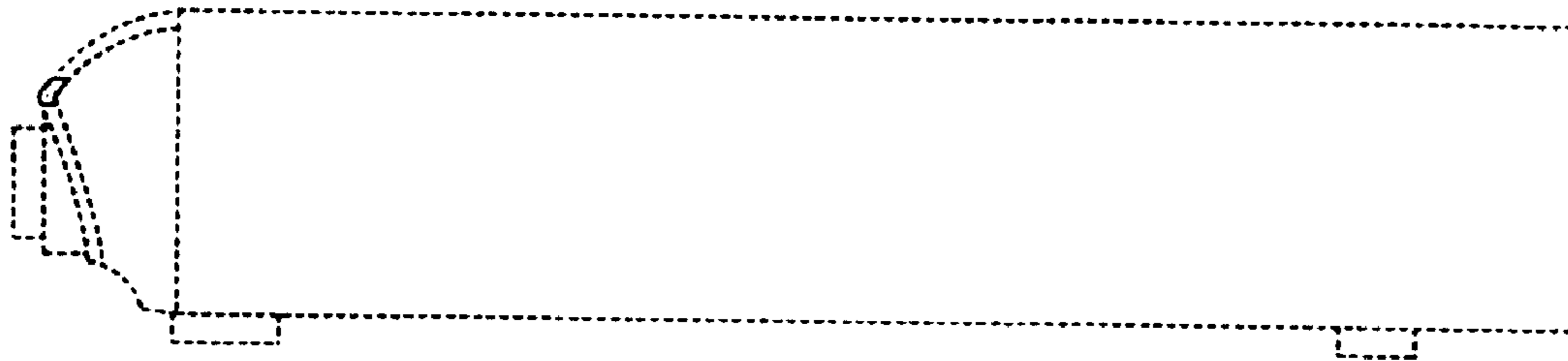


Fig.5

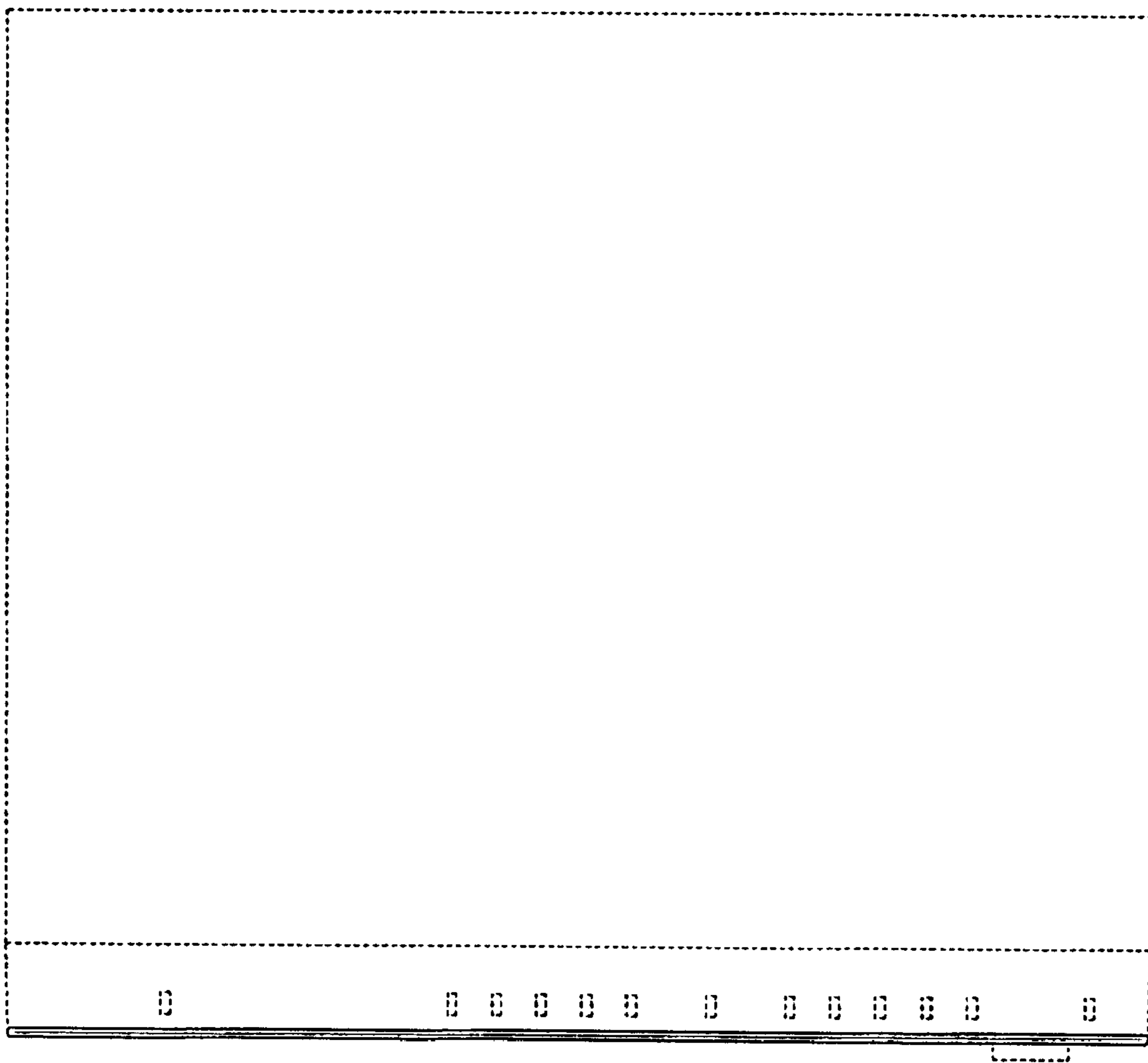


Fig.6

