



US00D542247S

(12) **United States Design Patent**
Kinoshita et al.

(10) **Patent No.:** **US D542,247 S**

(45) **Date of Patent:** **** May 8, 2007**

(54) **COMBINED TELEVISION RECEIVER AND DISC PLAYER**

(75) Inventors: **Masayuki Kinoshita**, Tokyo (JP);
Shoichiro Matsuoka, Tokyo (JP)

(73) Assignee: **Sony Corporation**, Tokyo (JP)

(**) Term: **14 Years**

(21) Appl. No.: **29/245,283**

(22) Filed: **Dec. 22, 2005**

(30) **Foreign Application Priority Data**

Jun. 24, 2005 (JP) D2005-018341

(51) **LOC (8) Cl.** **14-03**

(52) **U.S. Cl.** **D14/129**

(58) **Field of Classification Search** D14/125-134,
D14/239, 371, 136, 374-377; 312/7.2; 348/836,
348/838, 180, 184, 325, 739; 341/12; 248/917-924,
248/465; 345/104, 133, 156, 168, 87, 173;
720/605, 669, 600, 655; 369/99, 197; 455/344-347
See application file for complete search history.

(56) **References Cited**

U.S. PATENT DOCUMENTS

D254,254 S * 2/1980 Boje D14/128
D267,875 S * 2/1983 Mitchell et al. D14/128

D342,066 S * 12/1993 Mannick D14/128
D362,236 S * 9/1995 Dann et al. D14/336
D369,354 S * 4/1996 Bourgerie et al. D14/133
D460,056 S 7/2002 Niitsu
D474,162 S 5/2003 Kubota
D497,147 S * 10/2004 Izu et al. D14/128
D519,957 S * 5/2006 Hoehn et al. D14/129
D521,474 S * 5/2006 Hoehn et al. D14/132
D524,768 S * 7/2006 Reza et al. D14/126
D526,974 S * 8/2006 Reza et al. D14/129

* cited by examiner

Primary Examiner—Raphael Barkai

(74) *Attorney, Agent, or Firm*—Rader, Fishman & Grauer
PLLC

(57) **CLAIM**

The ornamental design for a combined television receiver and disc player, as shown.

DESCRIPTION

FIG. 1 is a perspective view of a combined television receiver and disc player showing our new design;
FIG. 2 is a front elevational view thereof;
FIG. 3 is a rear elevational view thereof;
FIG. 4 is a right side elevational view thereof, the left side elevational view being a mirror image thereof;
FIG. 5 is a top plan view thereof; and,
FIG. 6 is a bottom plan view thereof.

1 Claim, 6 Drawing Sheets

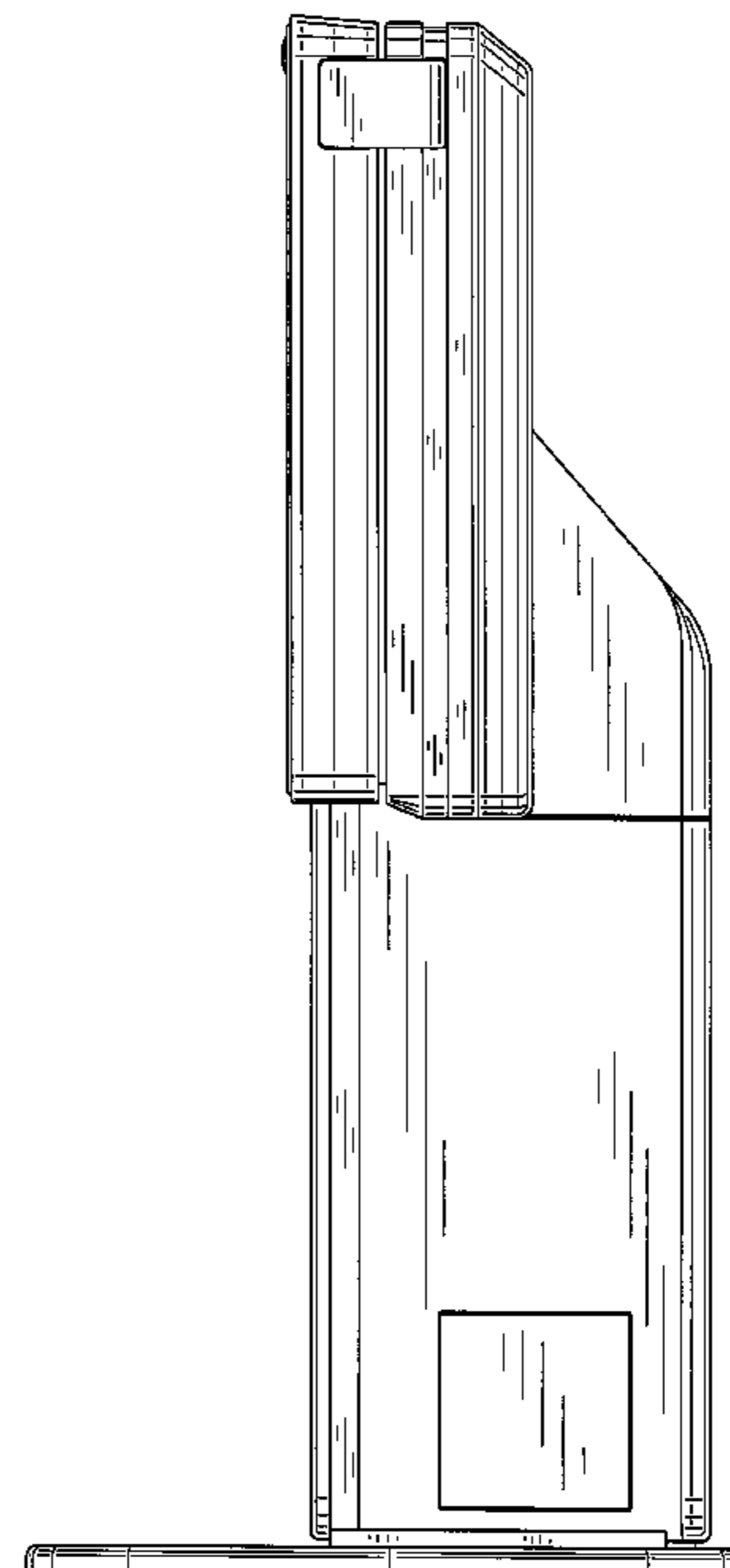
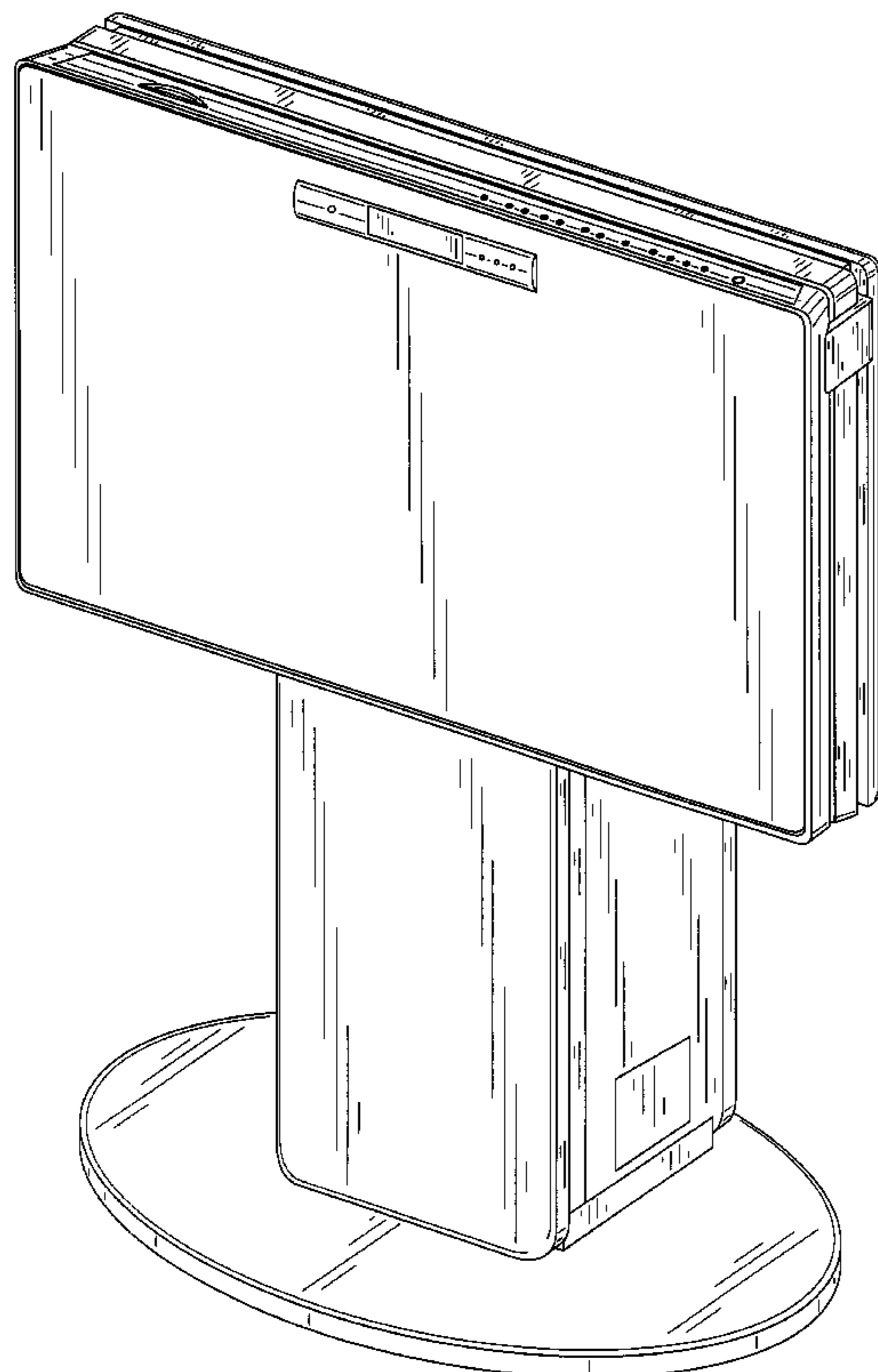


Fig.1

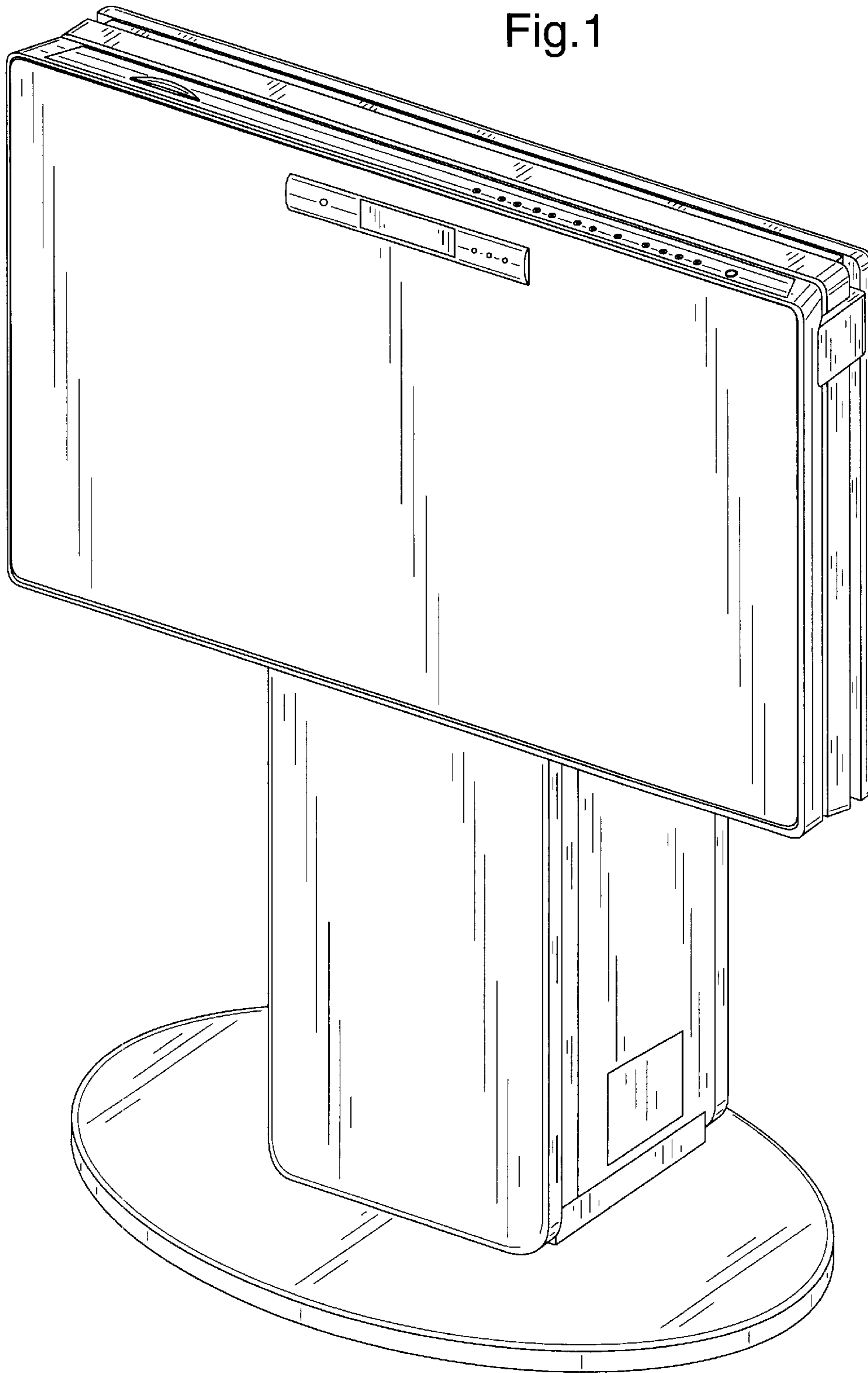


Fig.2

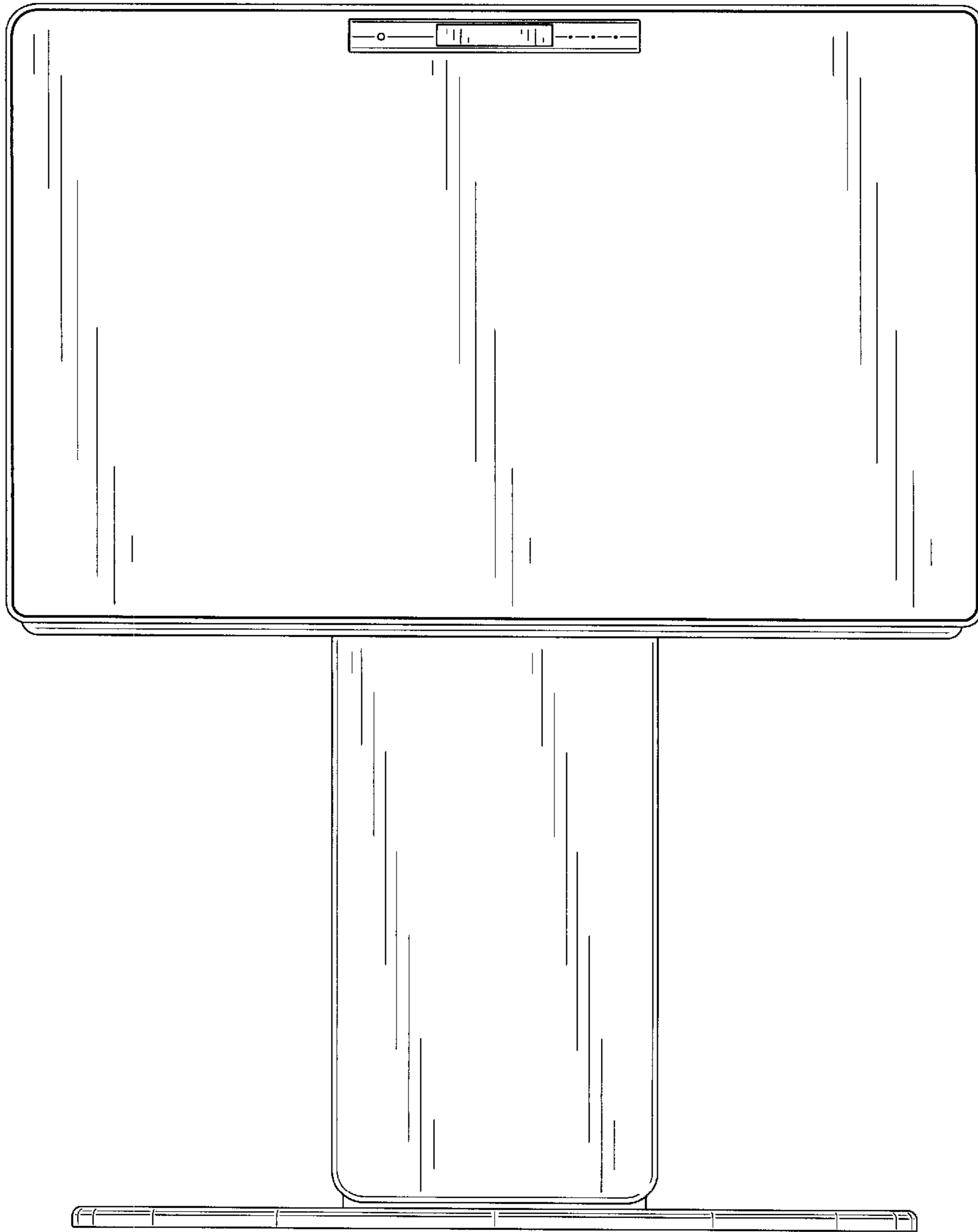


Fig.3

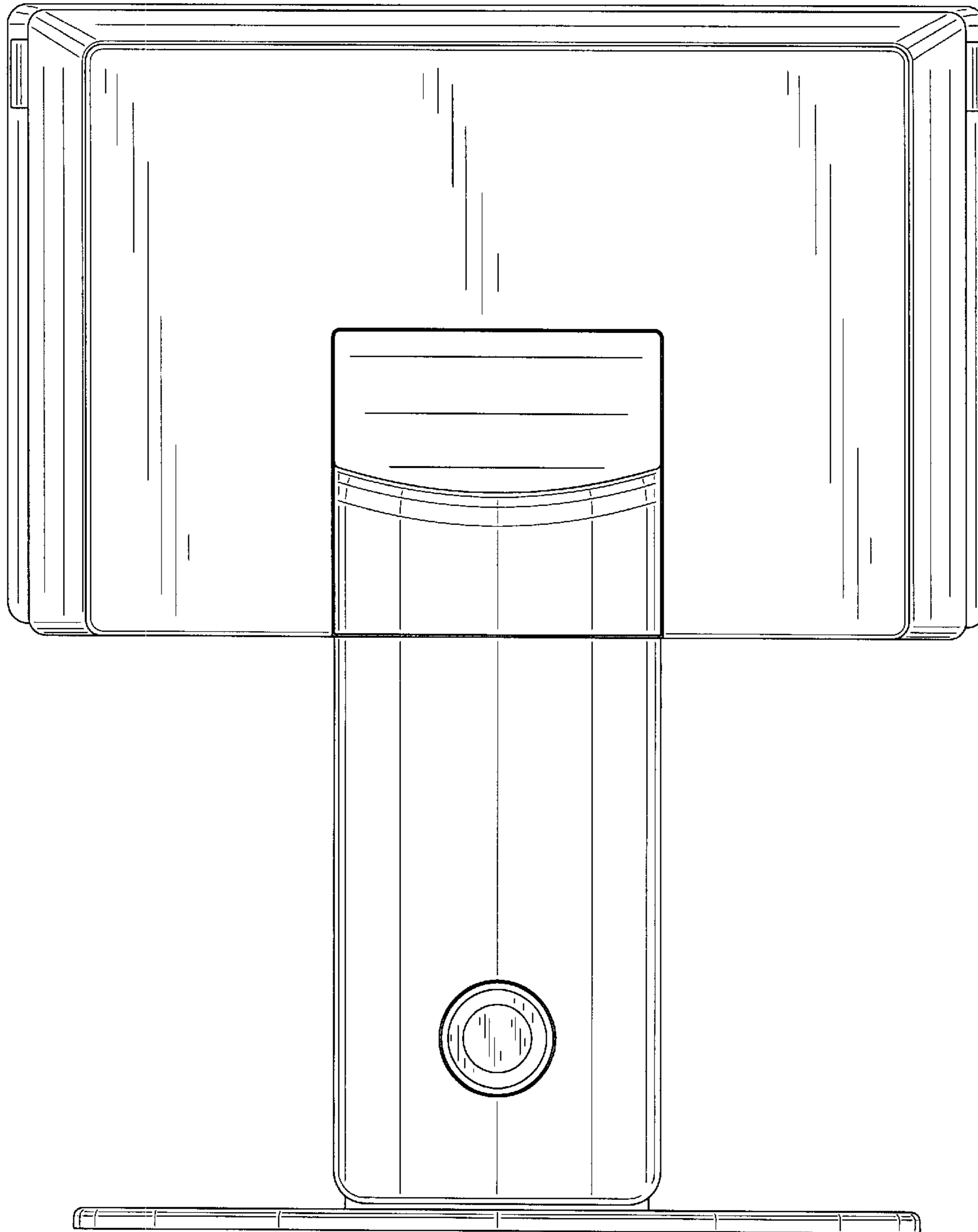


Fig.4

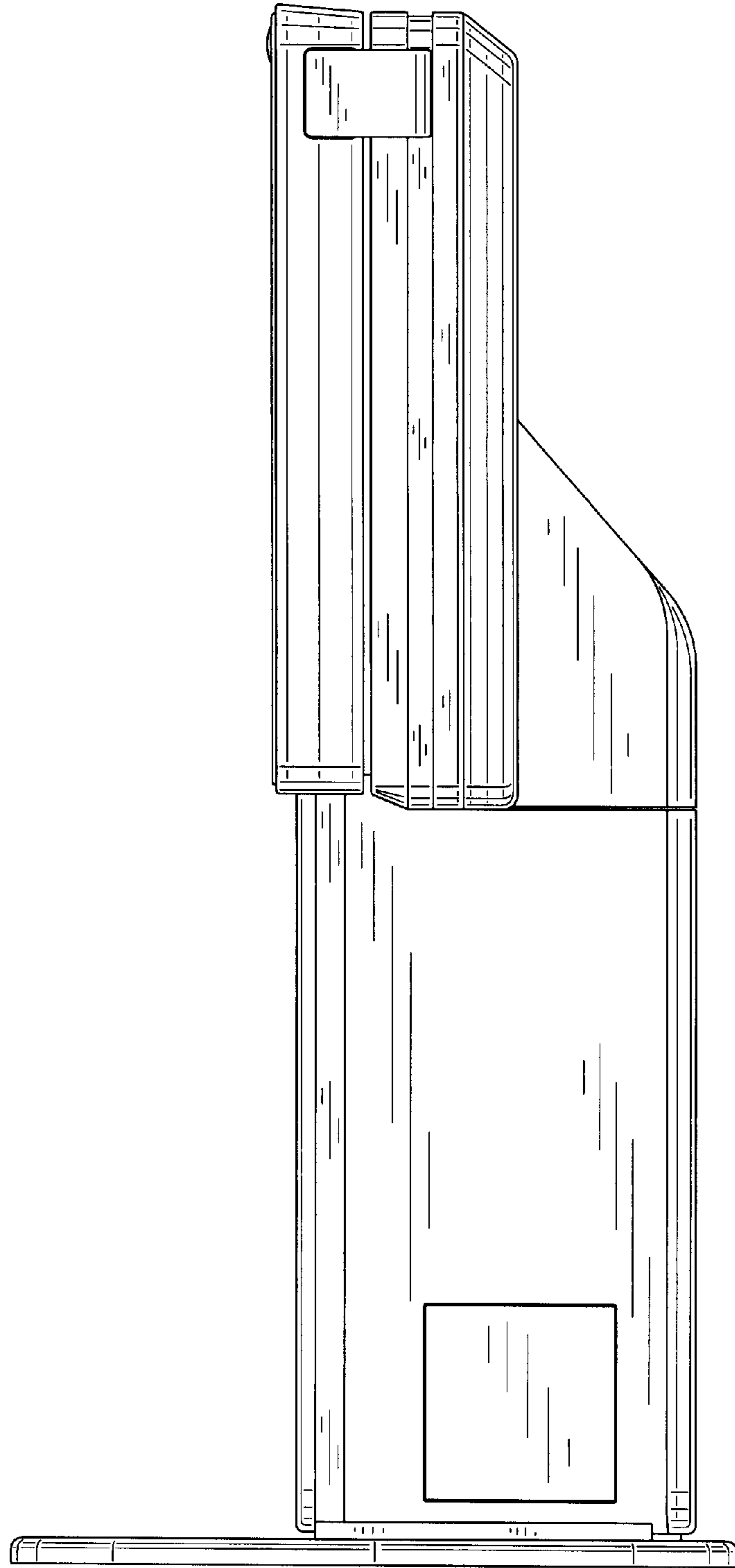


Fig.5

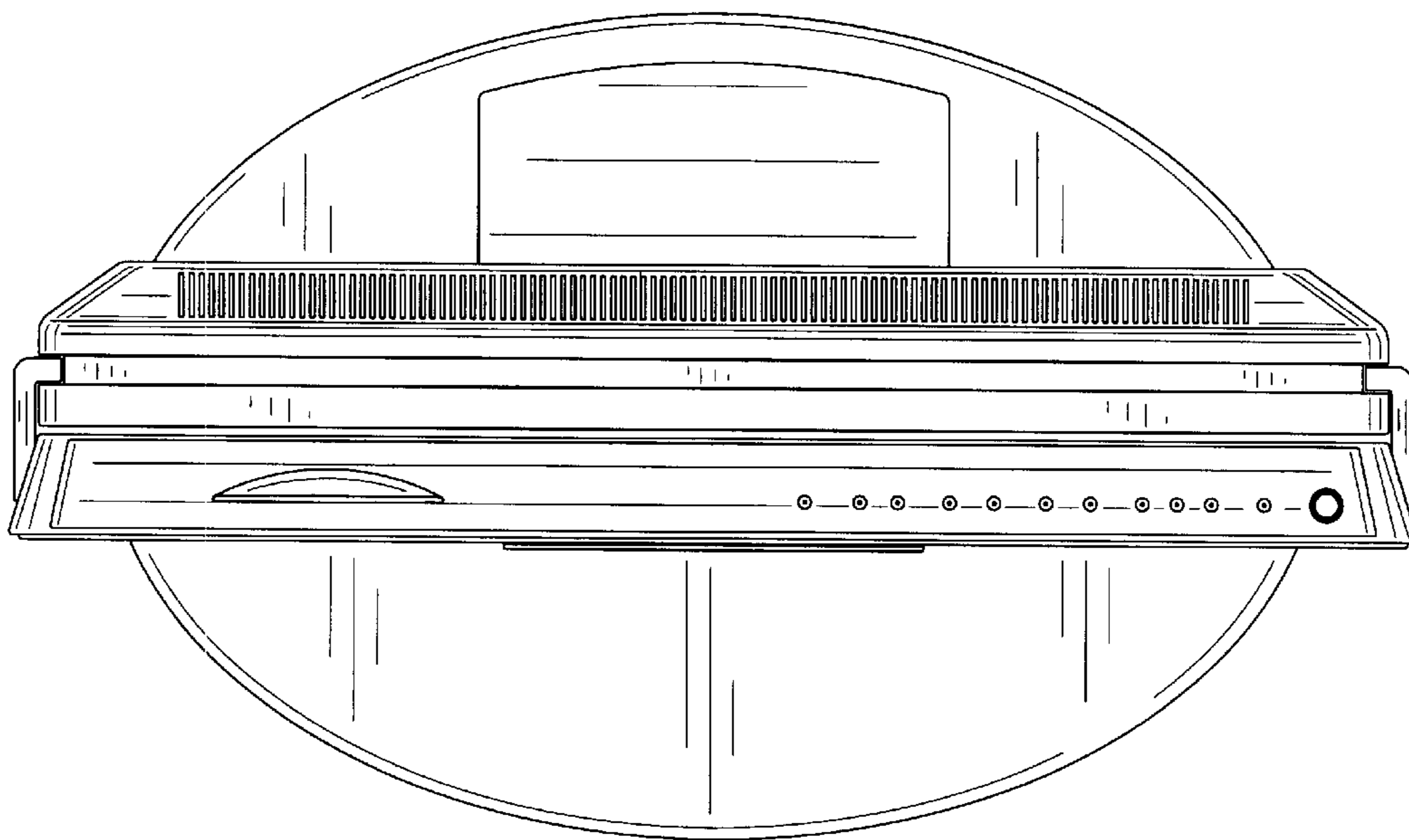


Fig.6

