



US00D542245S

(12) **United States Design Patent**  
**Takami et al.**

(10) **Patent No.:** **US D542,245 S**

(45) **Date of Patent:** **\*\* May 8, 2007**

(54) **TELEVISION RECEIVER**

(75) Inventors: **Mitsuru Takami**, Osaka (JP); **Kosaku Wada**, Osaka (JP); **Satoshi Tanigawa**, Osaka (JP)

(73) Assignee: **Matsushita Electric Industrial Co., Ltd.**, Osaka (JP)

(\*\*) **Term:** **14 Years**

(21) **Appl. No.:** **29/253,215**

(22) **Filed:** **Feb. 1, 2006**

(30) **Foreign Application Priority Data**

Aug. 1, 2005 (JP) ..... 2005-022332

(51) **LOC (8) Cl.** ..... **14-03**

(52) **U.S. Cl.** ..... **D14/126**

(58) **Field of Classification Search** ..... D14/125-134, D14/239, 371, 136, 374-377; 312/7.2; 348/836, 348/838, 180, 184, 325, 739; 341/12; 248/917-924, 248/465; 345/104, 133, 156, 168, 87, 173; 369/99, 197; 455/344-347; D10/15, 26  
See application file for complete search history.

(56) **References Cited**

**U.S. PATENT DOCUMENTS**

- D417,659 S 12/1999 Takemasa
- D419,977 S 2/2000 Chuo
- D422,576 S 4/2000 Chuo et al.
- D432,101 S 10/2000 Oba
- D458,236 S 6/2002 Bong et al.

- D463,431 S \* 9/2002 Yamamoto et al. .... D14/374
- D481,022 S \* 10/2003 Inoue et al. .... D14/126
- D487,731 S 3/2004 Takami et al.
- D488,451 S 4/2004 Niitsu
- D496,341 S 9/2004 Nakata et al.
- D498,214 S 11/2004 Ahn et al.
- D505,926 S \* 6/2005 Inoue et al. .... D14/126
- D511,152 S \* 11/2005 Lee ..... D14/126

**FOREIGN PATENT DOCUMENTS**

- JP D1135990 3/2002
- JP D1237483 4/2005
- JP D124775 8/2005

\* cited by examiner

*Primary Examiner*—Raphael Barkai

(74) *Attorney, Agent, or Firm*—Brinks Hofer Gilson & Lione

(57) **CLAIM**

We claim the ornamental design for a television receiver, as shown and described.

**DESCRIPTION**

FIG. 1 is a top perspective view of a television receiver of the present invention;  
FIG. 2 is a front view thereof;  
FIG. 3 is a top view thereof;  
FIG. 4 is a first side view thereof;  
FIG. 5 is a second side view thereof;  
FIG. 6 is a bottom view thereof; and,  
FIG. 7 is a rear view thereof.

**1 Claim, 3 Drawing Sheets**

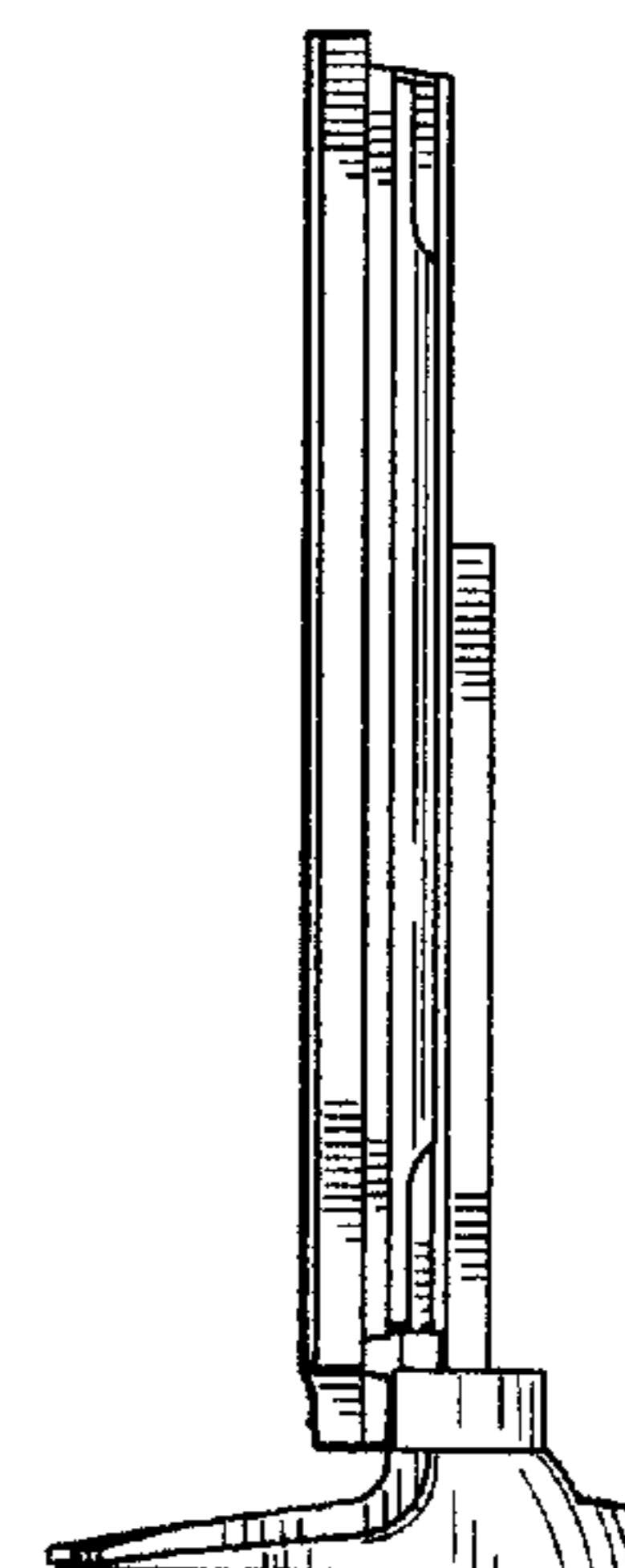
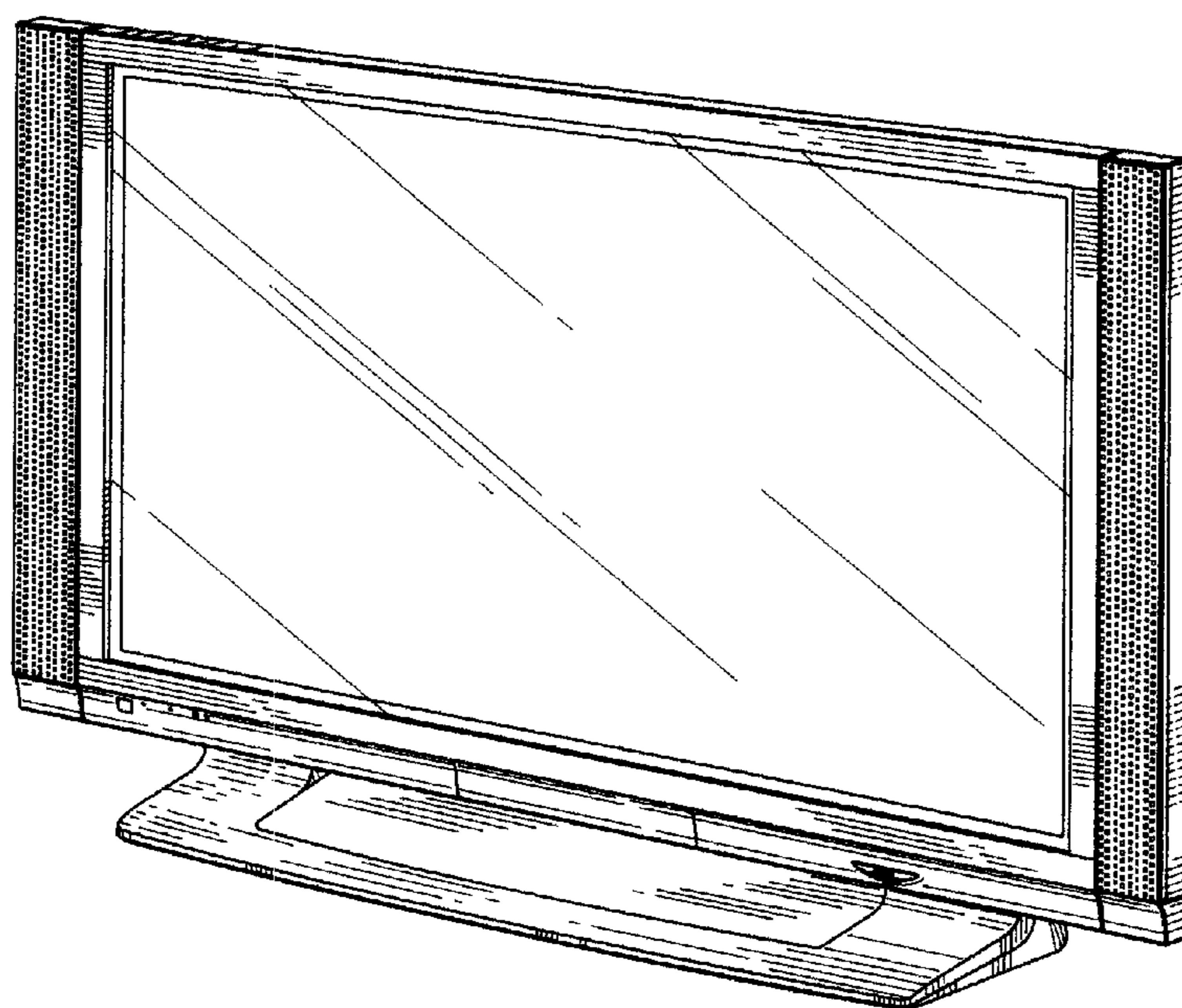


FIG.1

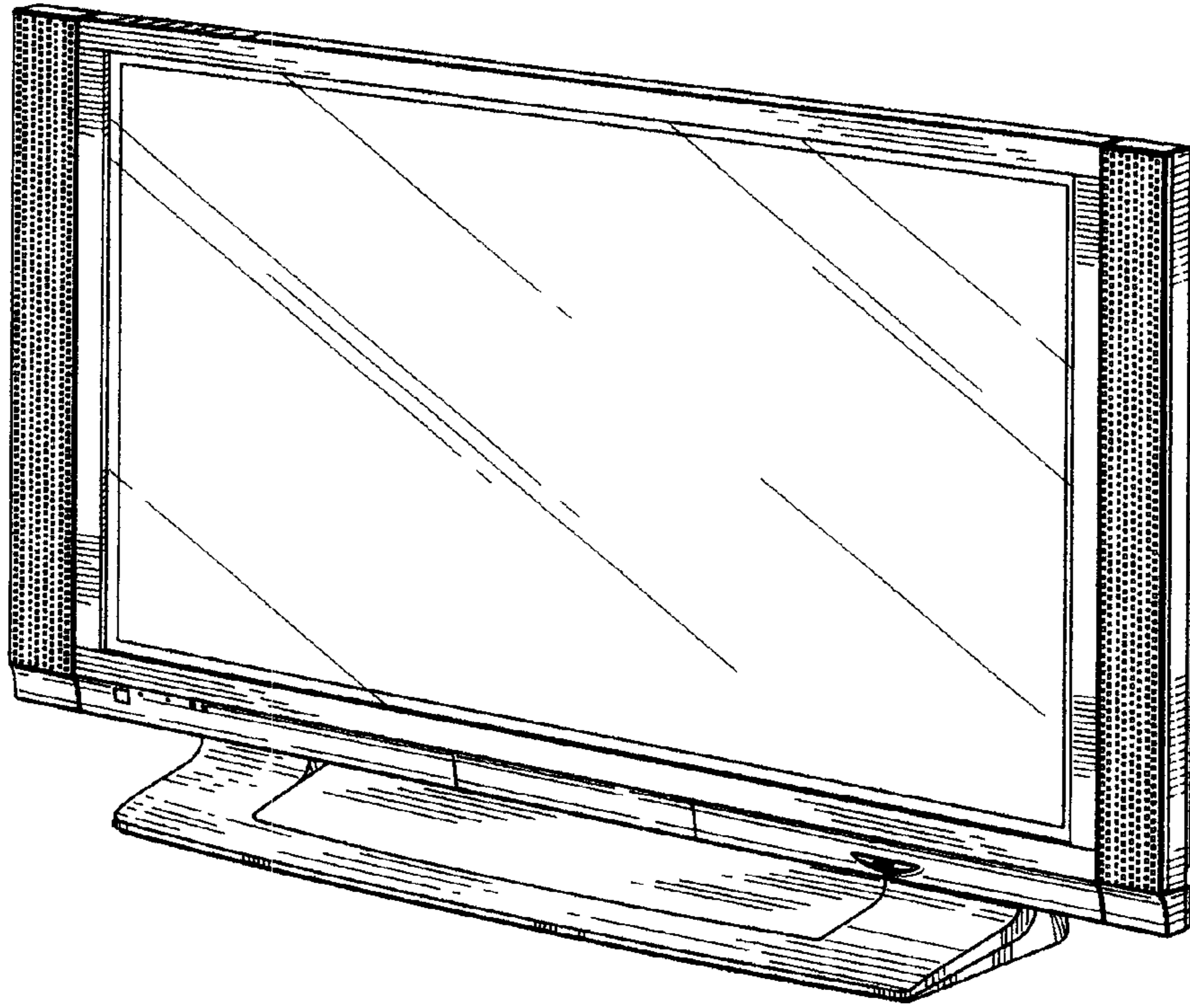
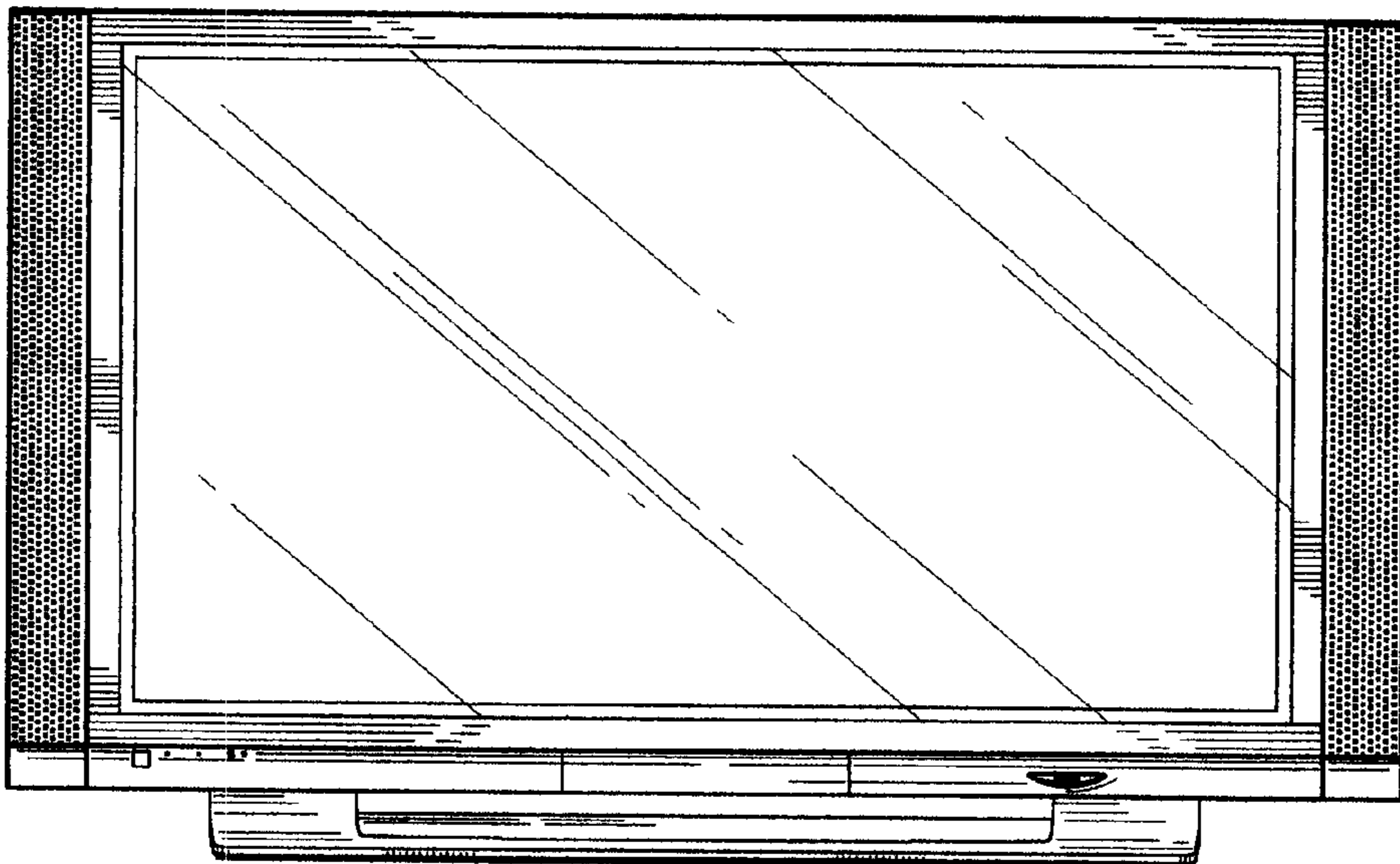
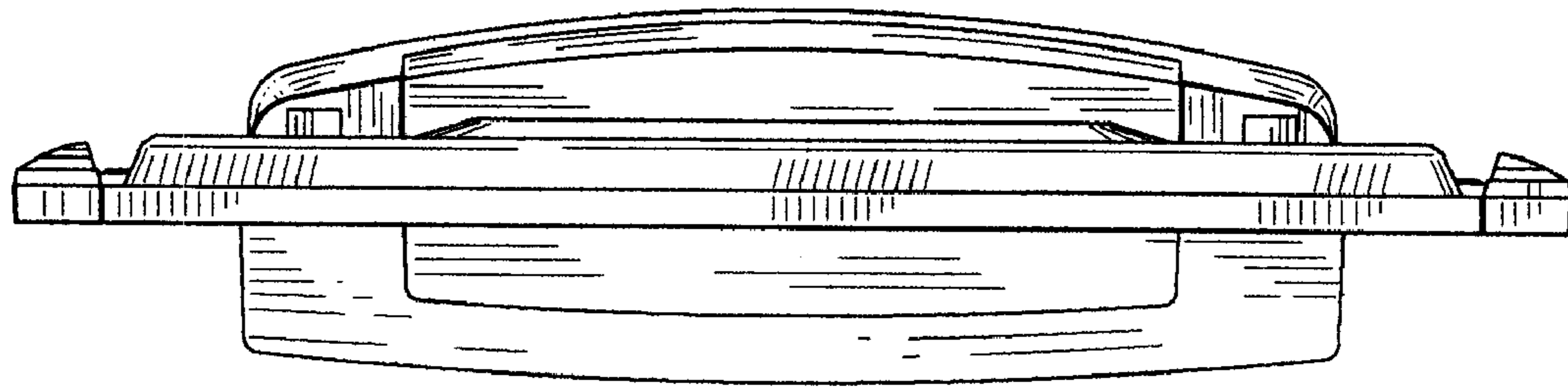


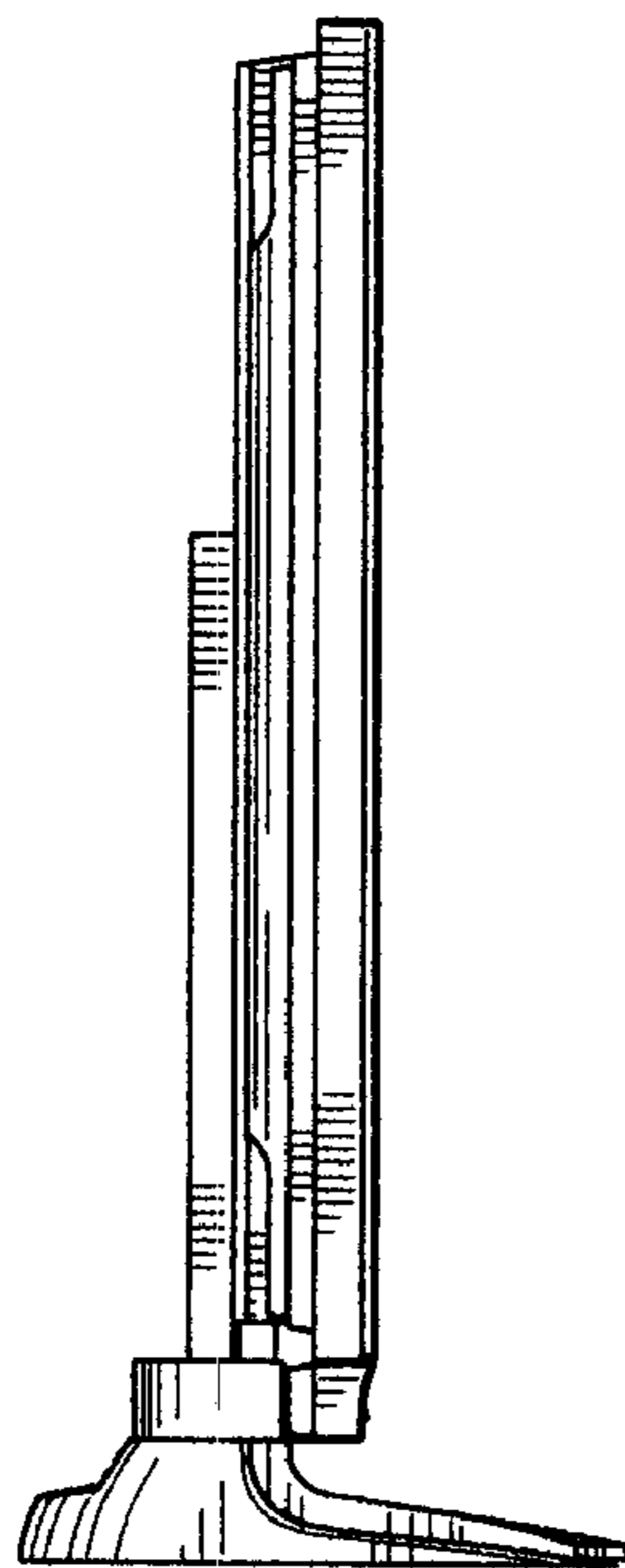
FIG.2



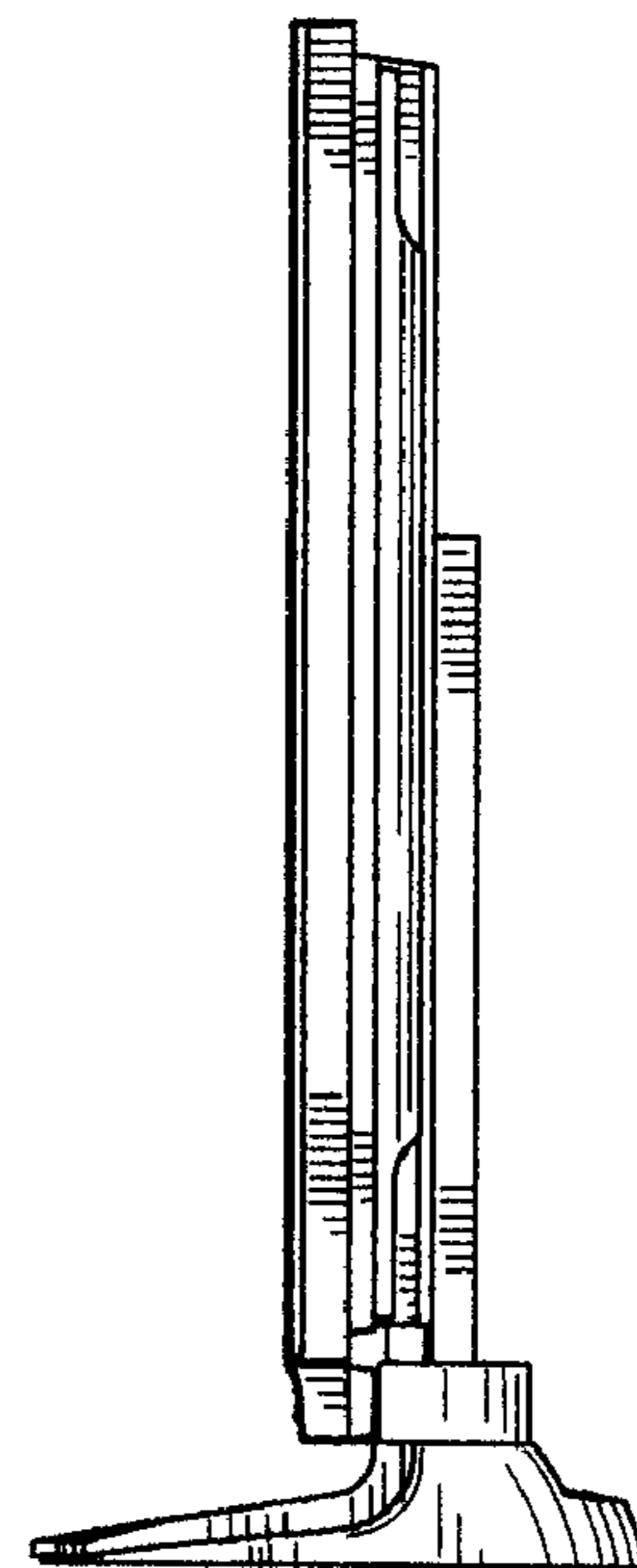
*FIG.3*



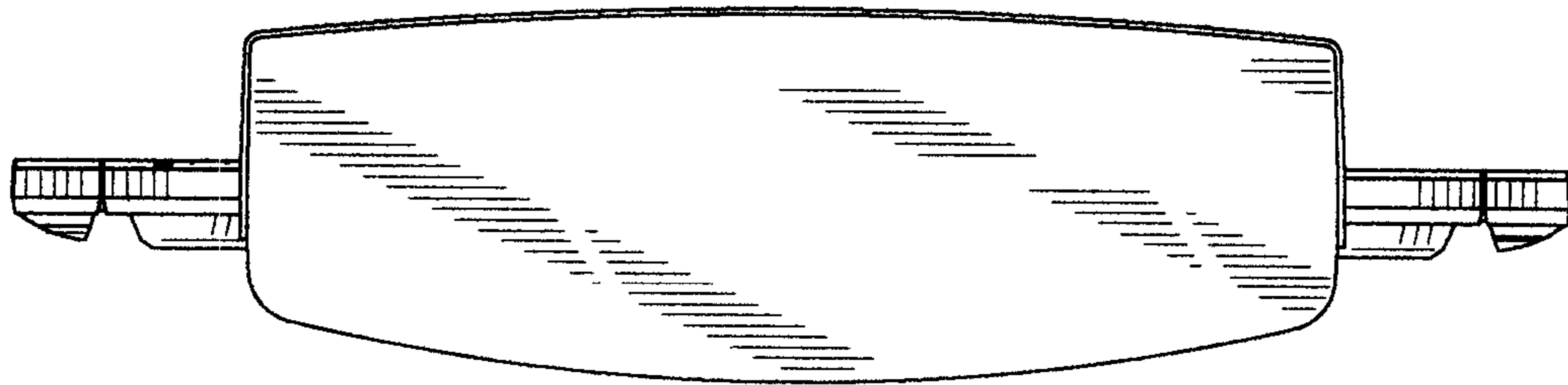
*FIG.4*



*FIG.5*



*FIG.6*



*FIG.7*

