

US00D542244S

(12) **United States Design Patent**
Li et al.

(10) **Patent No.:** **US D542,244 S**

(45) **Date of Patent:** **** May 8, 2007**

(54) **TELEVISION**

(75) Inventors: **Eric Li**, Taipei (TW); **Michael Yang**,
Taipei (TW)

(73) Assignee: **Inventec Corporation** (TW)

(**) Term: **14 Years**

(21) Appl. No.: **29/242,021**

(22) Filed: **Nov. 2, 2005**

(51) **LOC (8) Cl.** **14-03**

(52) **U.S. Cl.** **D14/126**

(58) **Field of Classification Search** D14/125-134,
D14/239, 371, 136, 374-377; 312/7.2; 348/836,
348/838, 180, 184, 325, 739; 341/12; 248/917-924,
248/465; 345/104, 133, 156, 168, 87, 173;
720/605, 669, 600, 655; 369/99, 197; 455/344-347
See application file for complete search history.

(56) **References Cited**

U.S. PATENT DOCUMENTS

D501,186 S * 1/2005 Kita D14/126
D502,931 S * 3/2005 Kita D14/126

D508,470 S * 8/2005 Inoue et al. D14/126
D509,197 S * 9/2005 Asawa et al. D14/126
D510,730 S * 10/2005 Asanuma et al. D14/126
D510,917 S * 10/2005 Negishi et al. D14/126
D519,948 S * 5/2006 Lin D14/129

* cited by examiner

Primary Examiner—Raphael Barkai

(74) *Attorney, Agent, or Firm*—Peter F. Corless; Steven M.
Jensen; Edwards Angell Palmer & Dodge LLP

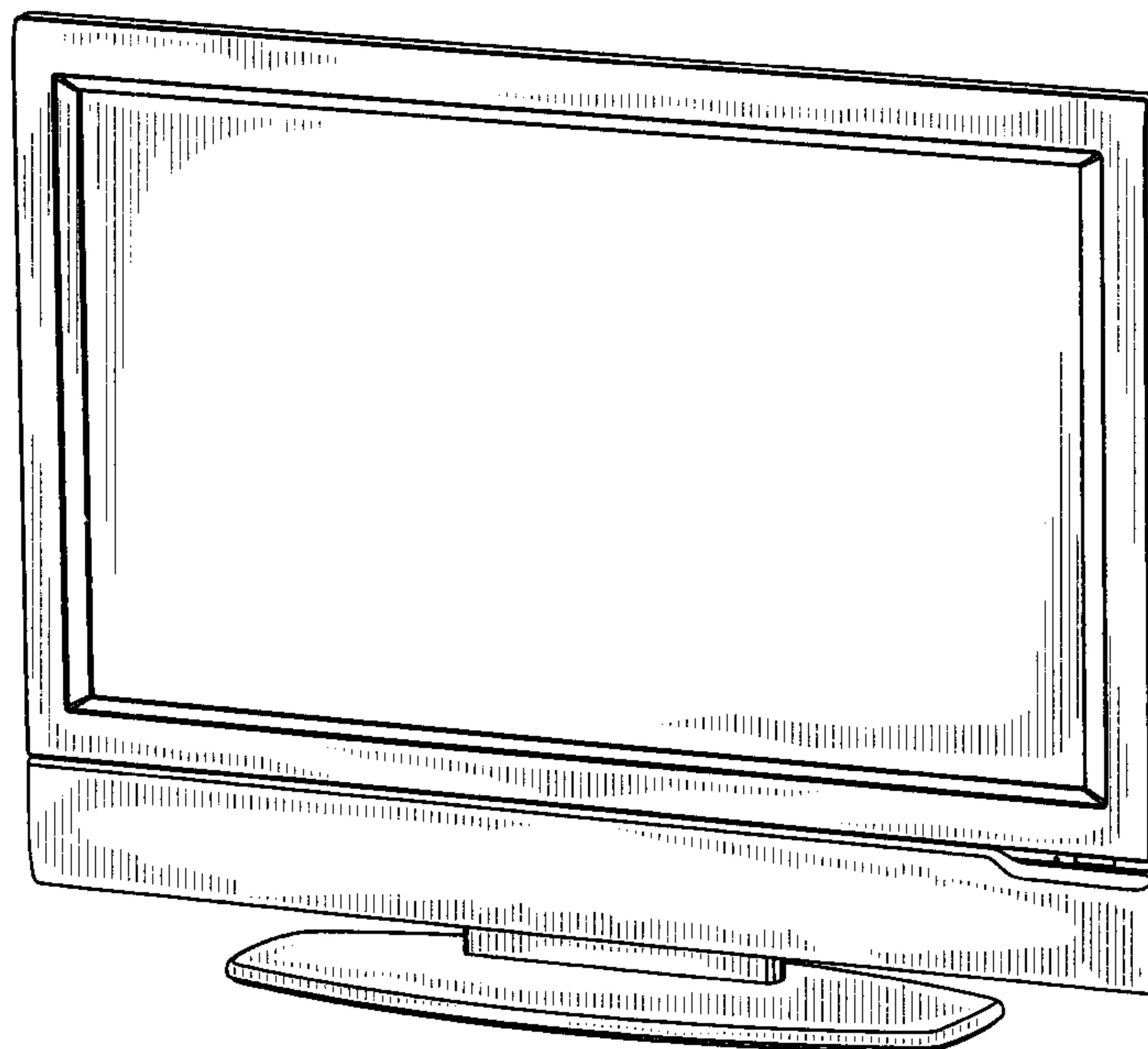
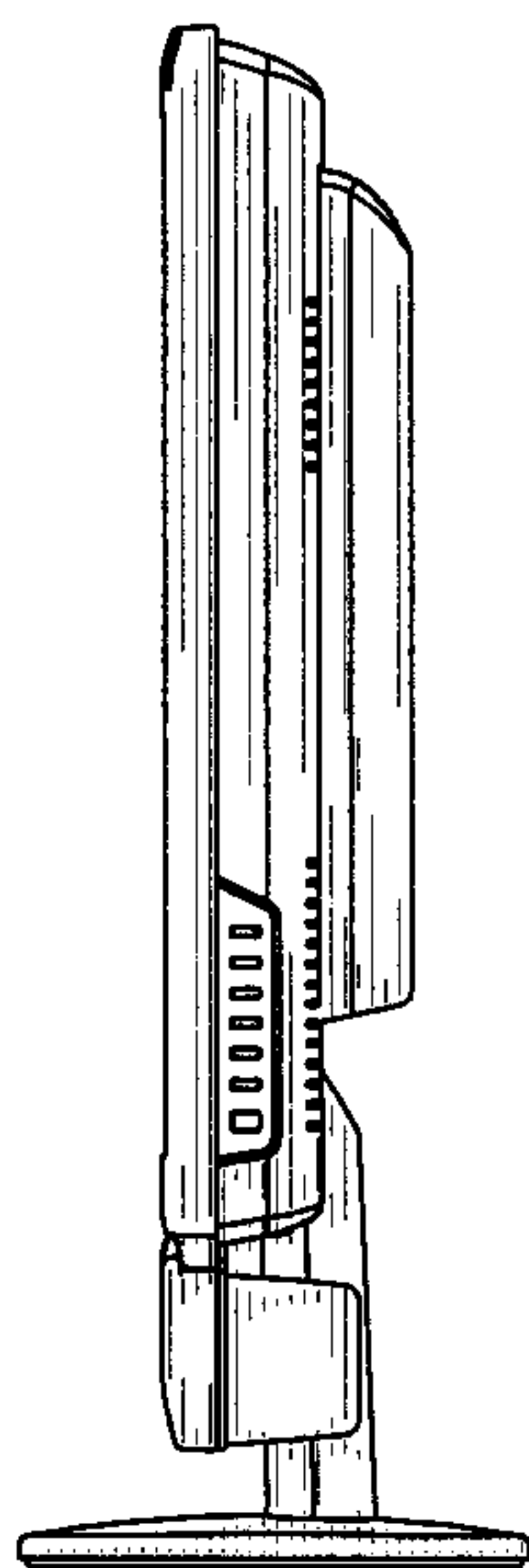
(57) **CLAIM**

The ornamental design for a television, as shown and
described.

DESCRIPTION

FIG. 1 is front elevational view of the television, showing
our new design;
FIG. 2 is a rear elevational view thereof;
FIG. 3 is a left side elevational view thereof;
FIG. 4 is a right side elevational view thereof;
FIG. 5 is a top plan view thereof;
FIG. 6 is a bottom view thereof; and,
FIG. 7 is a perspective front elevational view thereof.

1 Claim, 4 Drawing Sheets



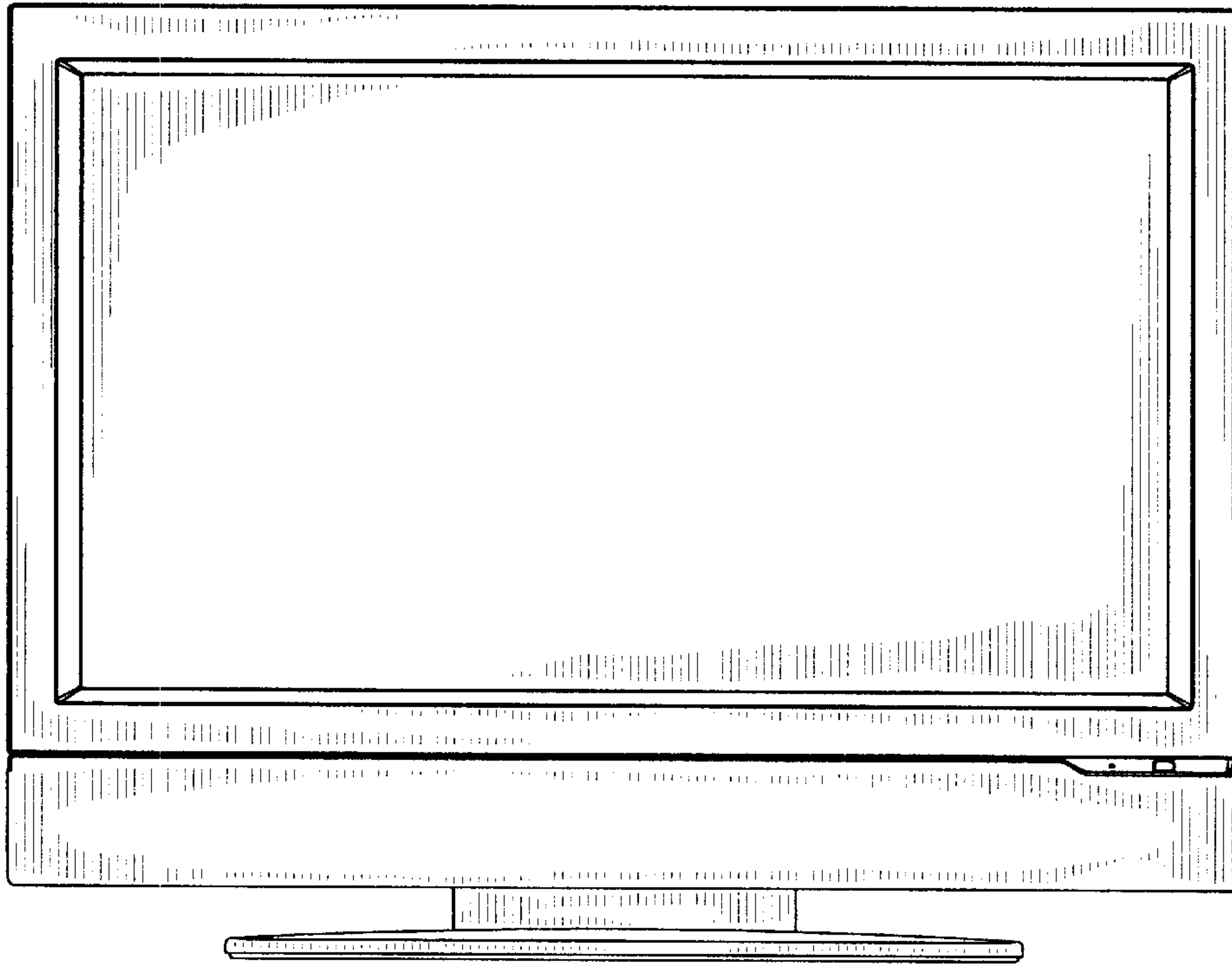


FIG. 1

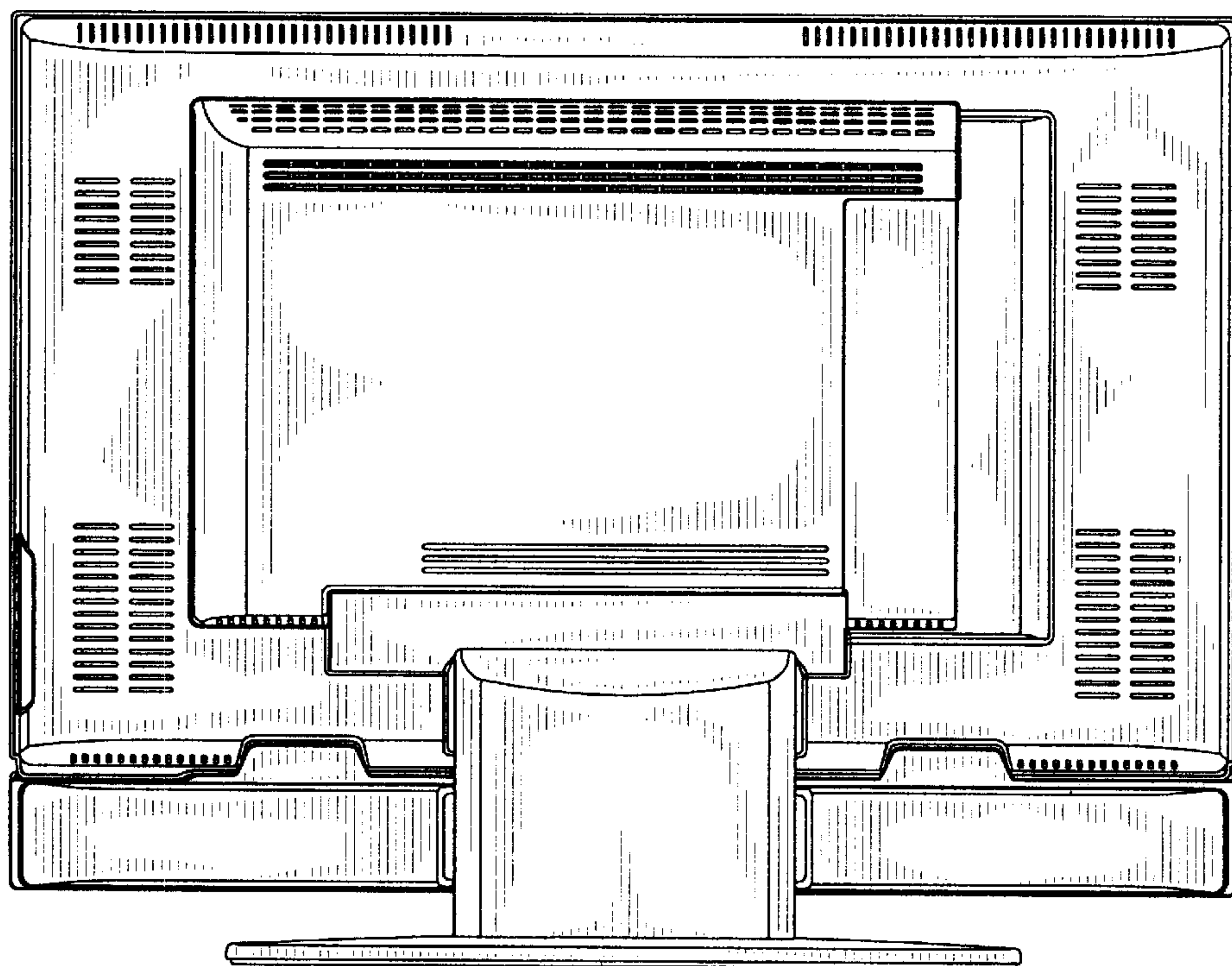


FIG. 2

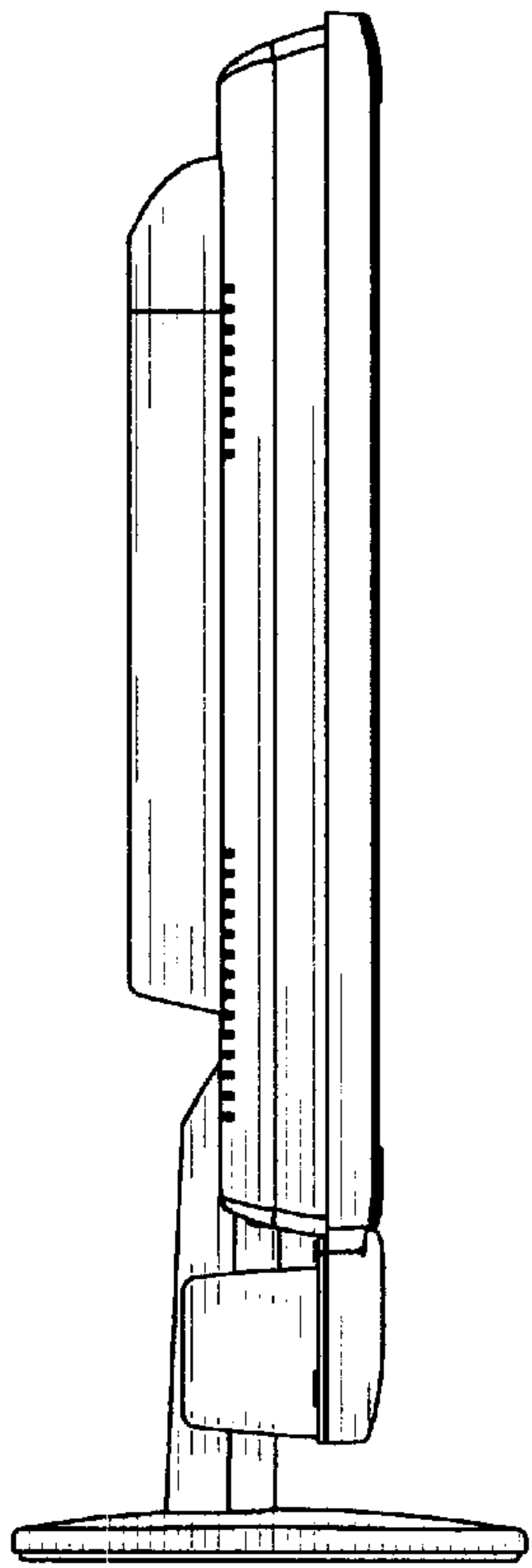


FIG .3

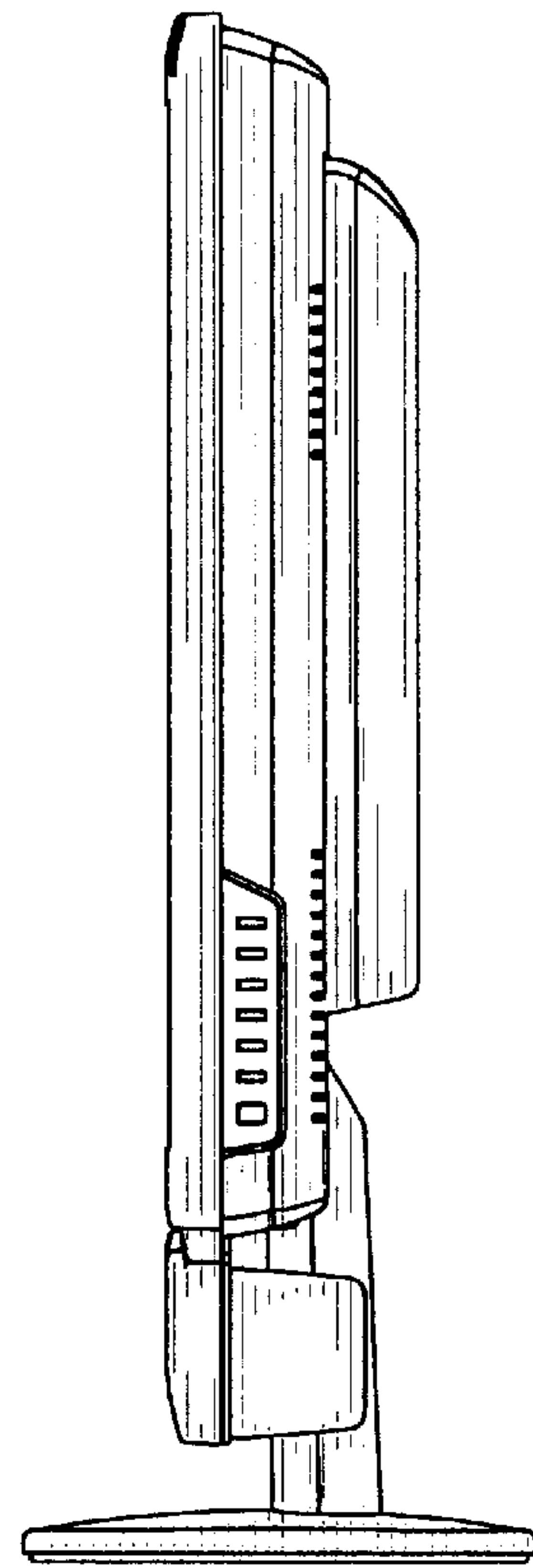


FIG .4

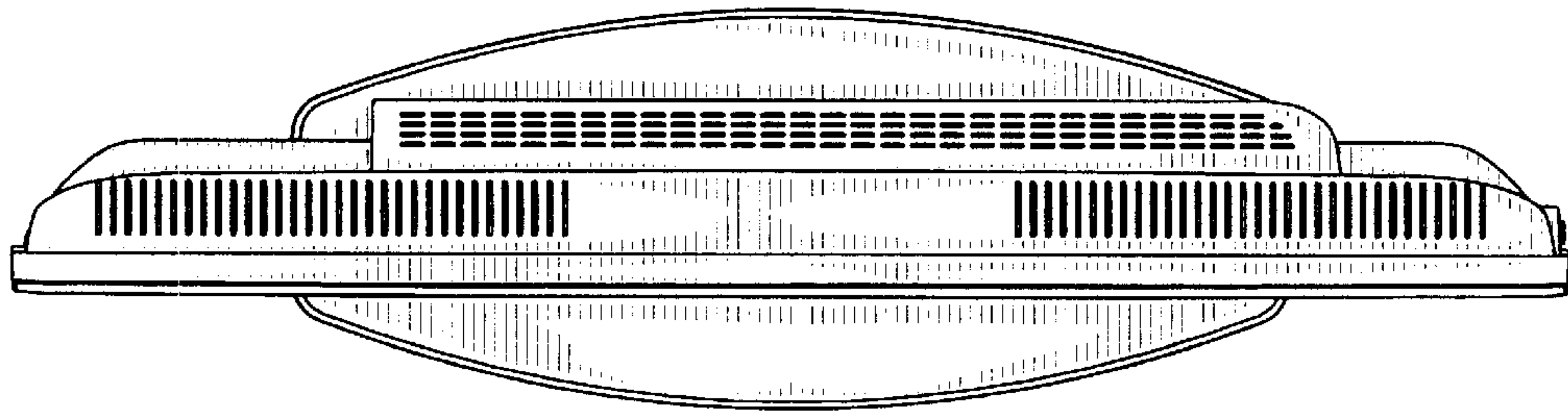


FIG. 5

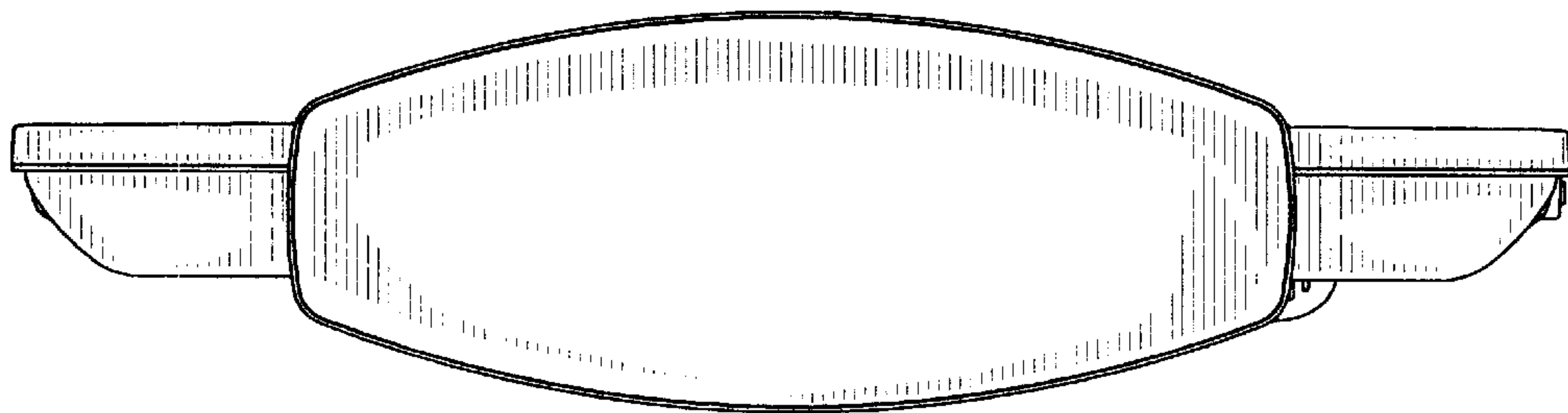


FIG. 6

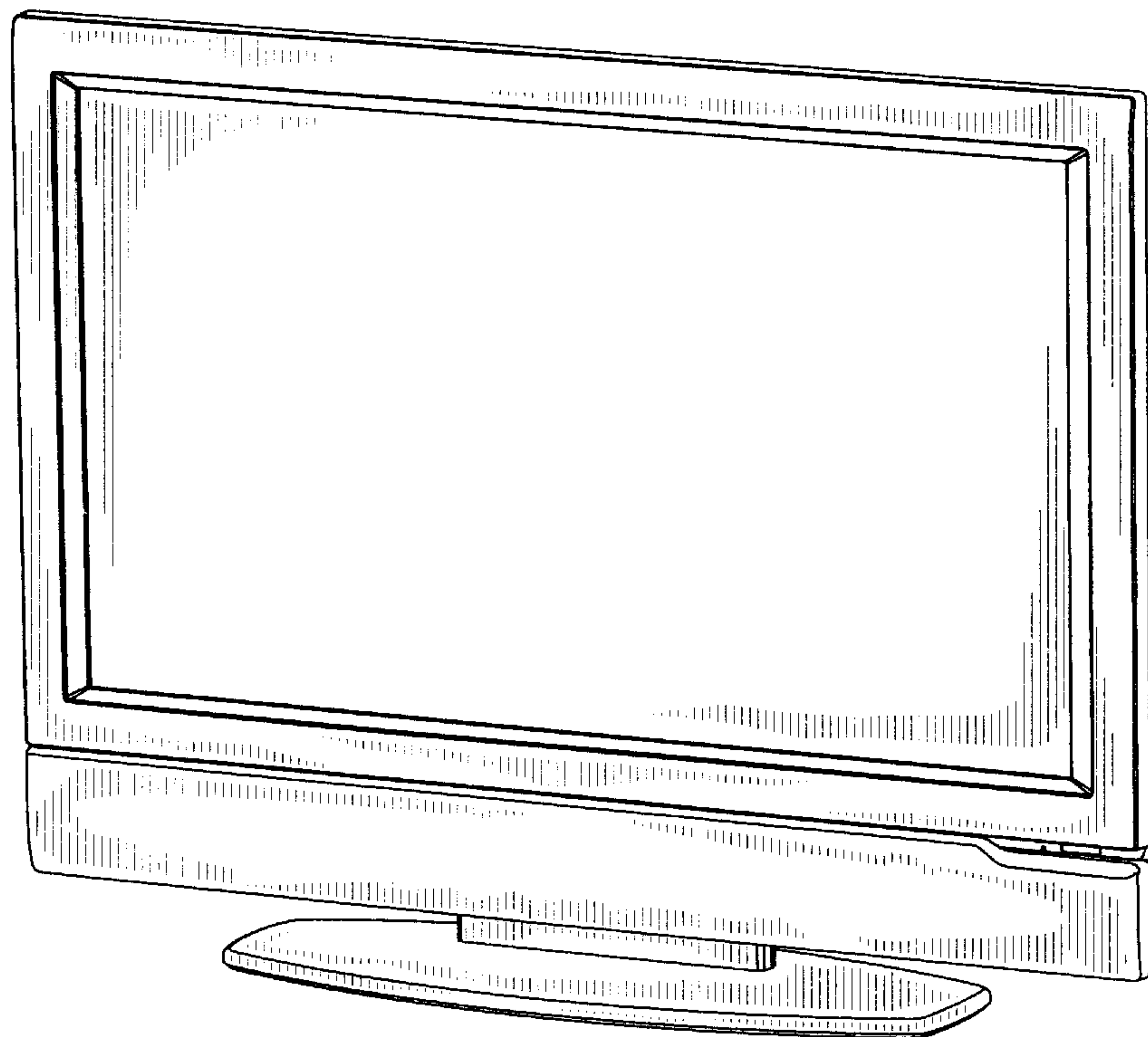


FIG. 7