

US00D542241S

(12) **United States Design Patent**
Ryu

(10) **Patent No.:** **US D542,241 S**

(45) **Date of Patent:** **** May 8, 2007**

(54) **DIGITAL SET-TOP BOX**

(75) Inventor: **Jung Han Ryu**, Seoul (KR)

(73) Assignee: **LG Electronics Inc.**, Seoul (KR)

(**) Term: **14 Years**

(21) Appl. No.: **29/227,500**

(22) Filed: **Apr. 13, 2005**

(30) **Foreign Application Priority Data**

Oct. 14, 2004 (KR) 30-2004-0031492

(51) **LOC (8) Cl.** **14-03**

(52) **U.S. Cl.** **D14/125; D14/239**

(58) **Field of Classification Search** D14/125-134,
D14/299, 356, 361-363, 365, 496, 135, 136,
D14/239; 348/10, 460; 361/390-696; 312/208.1,
312/223.2

See application file for complete search history.

(56) **References Cited**

U.S. PATENT DOCUMENTS

- D402,641 S * 12/1998 Heijnen D13/184
- D407,393 S * 3/1999 Kazama D14/125
- D429,706 S * 8/2000 Miyazaki D14/135
- D438,183 S * 2/2001 Sato et al. D14/136

- D441,375 S * 5/2001 Hisatsune et al. D14/496
- D458,908 S * 6/2002 Liu D14/125
- D463,413 S * 9/2002 Harris D14/240
- D464,044 S * 10/2002 Wang et al. D14/240
- D470,465 S * 2/2003 Lee D14/125
- D483,729 S * 12/2003 Huang et al. D14/136
- D493,434 S * 7/2004 Wu D14/136

* cited by examiner

Primary Examiner—Raphael Barkai

Assistant Examiner—Randall H. Gholson

(74) *Attorney, Agent, or Firm*—Birch, Stewart, Kolasch & Birch, LLP

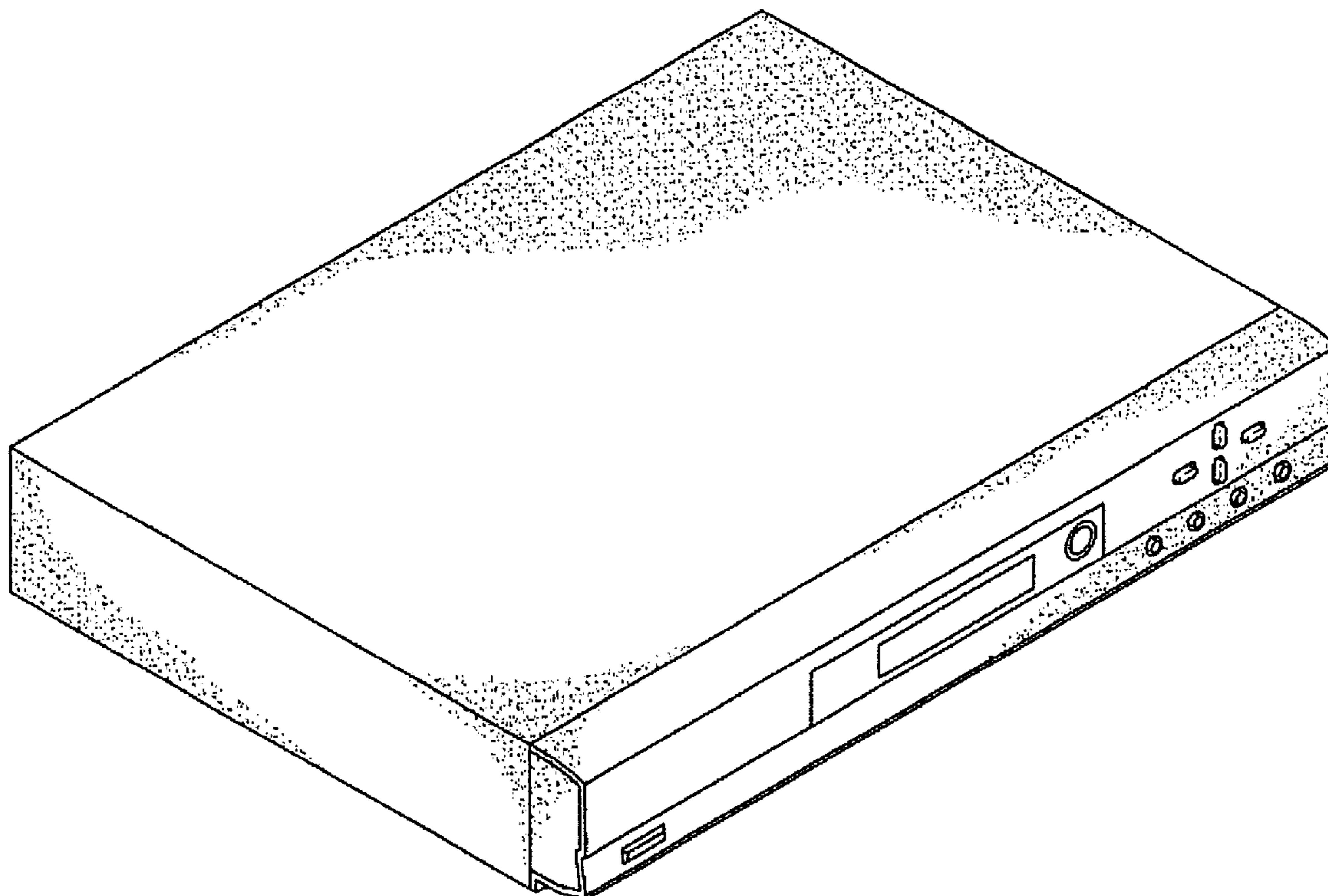
(57) **CLAIM**

The ornamental design for a digital set-top box, as shown.

DESCRIPTION

FIG. 1 is a front, left perspective view of the digital set-top box showing my new design;
 FIG. 2 is a front view thereof;
 FIG. 3 is a rear view thereof;
 FIG. 4 is a left side view thereof;
 FIG. 5 is a right side view thereof;
 FIG. 6 is a top view thereof; and,
 FIG. 7 is a bottom view thereof.

1 Claim, 3 Drawing Sheets



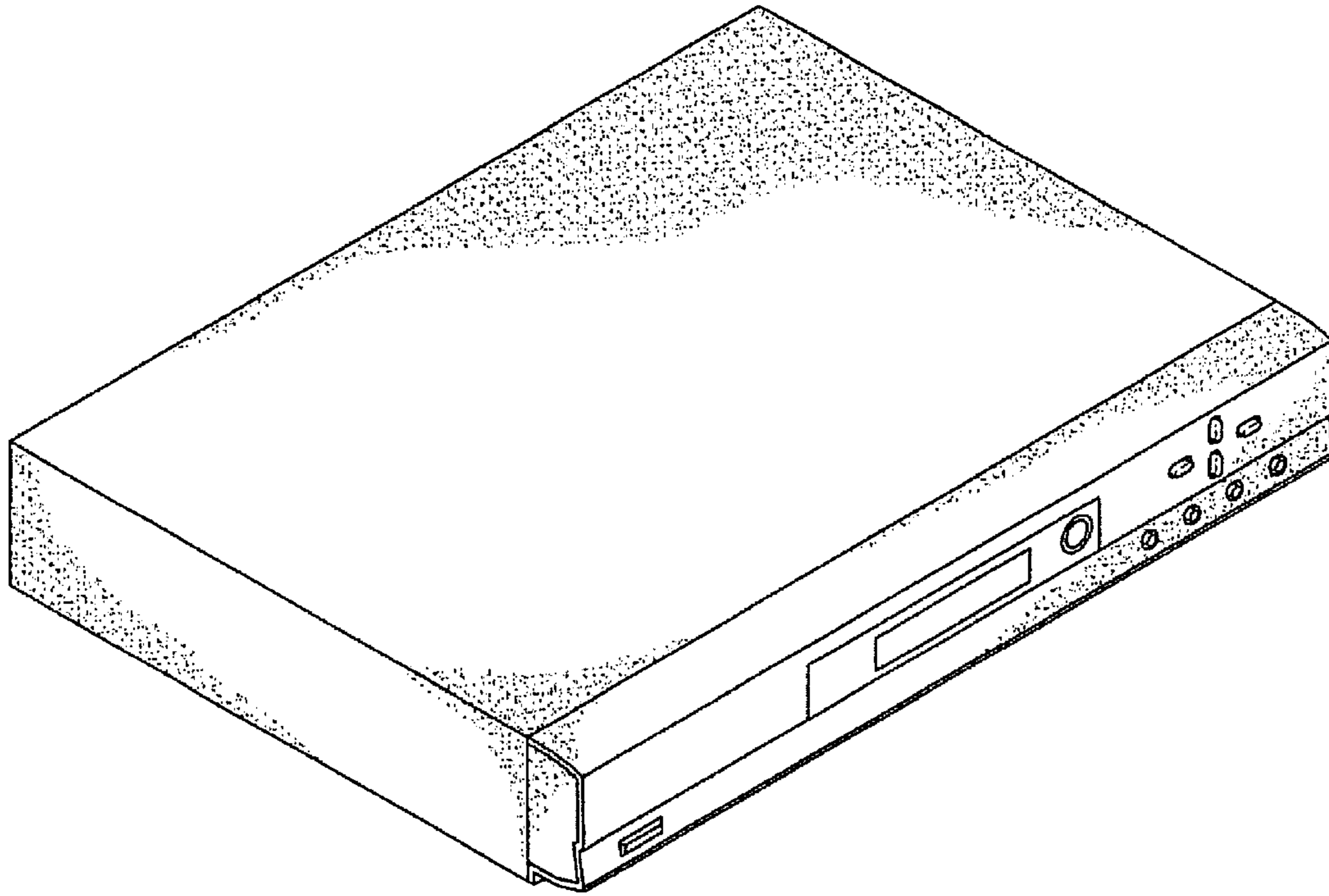


FIG. 1

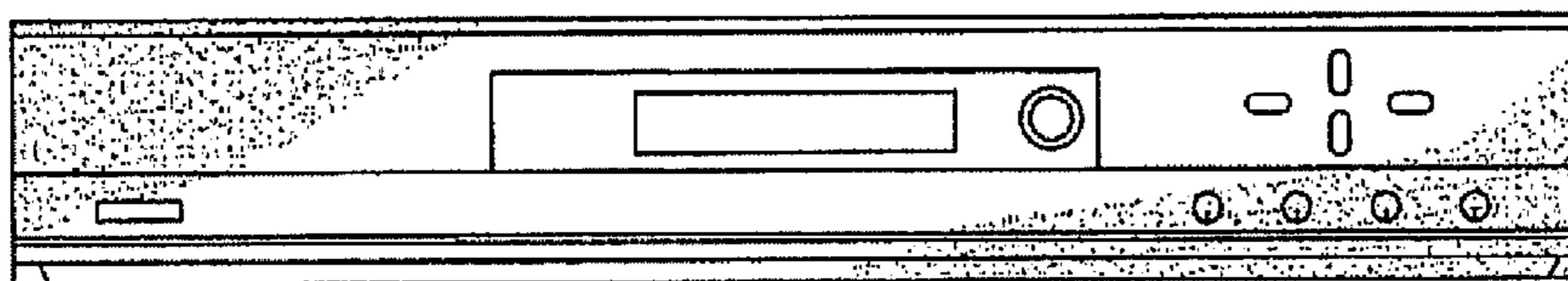


FIG. 2



FIG. 3

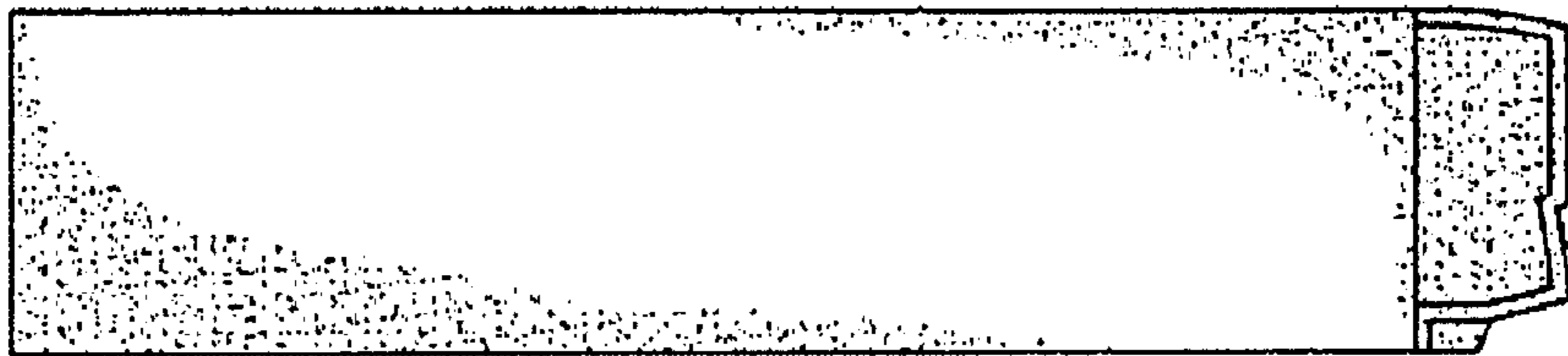


FIG. 4

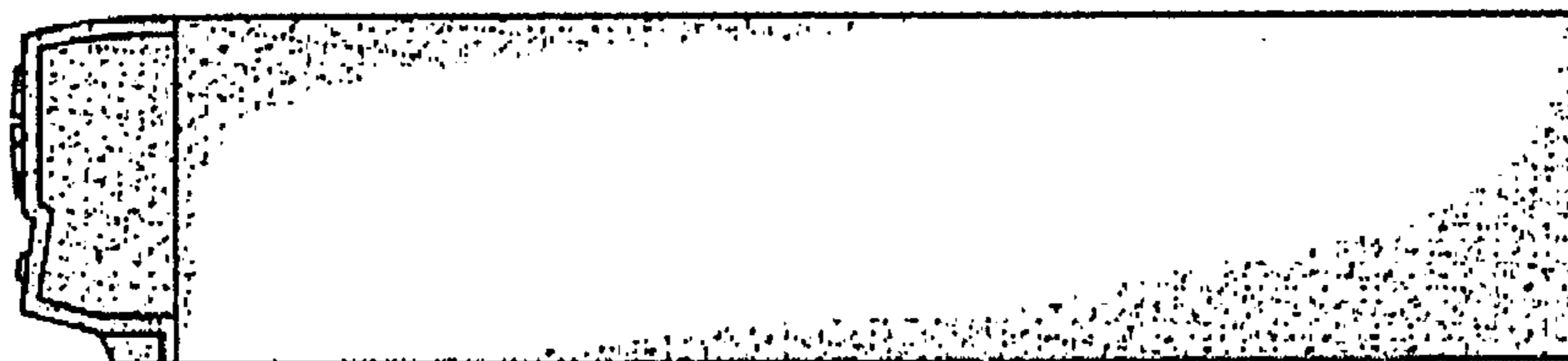


FIG. 5

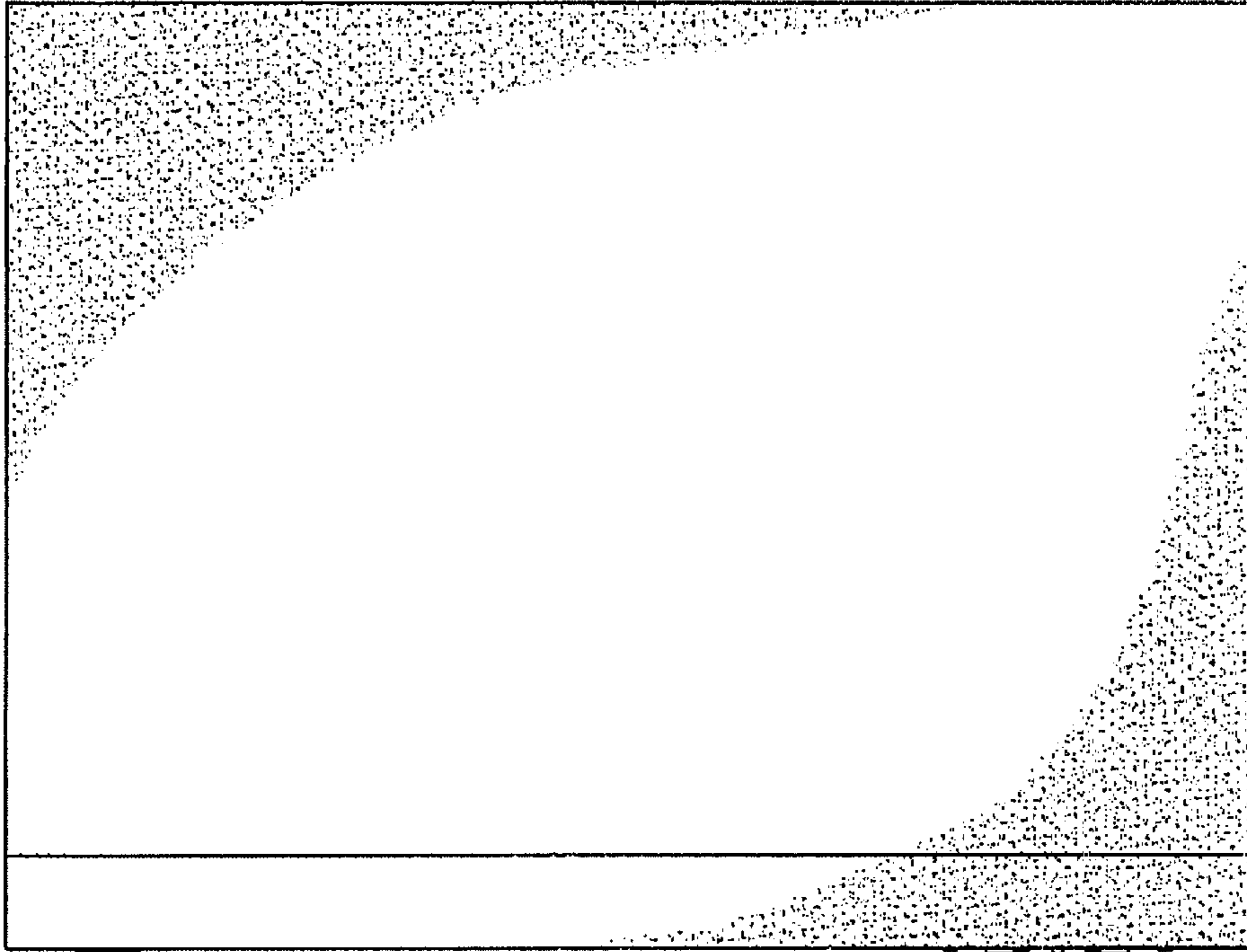


FIG. 6

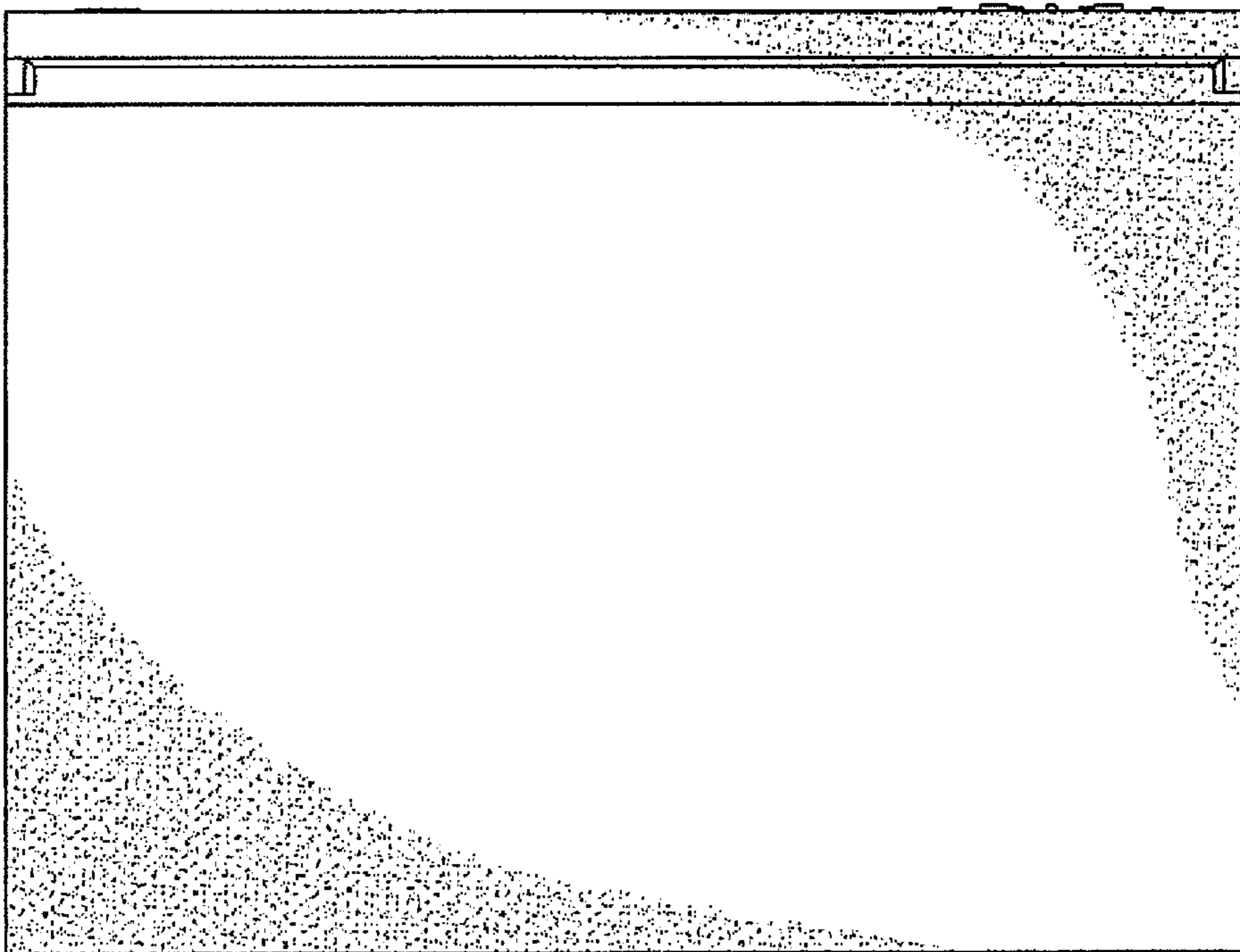


FIG. 7