



US00D542240S

(12) **United States Design Patent**
Laursen et al.

(10) **Patent No.:** **US D542,240 S**

(45) **Date of Patent:** **** May 8, 2007**

(54) **PATCH PANEL**

(75) Inventors: **Erik Laursen**, Kirkland, WA (US);
John Redfield, Brier, WA (US); **George C. Rondeau, Jr.**, Sammamish, WA (US)

(73) Assignee: **Leviton Manufacturing Co., Inc.**, Little Neck, NY (US)

(**) Term: **14 Years**

(21) Appl. No.: **29/237,950**

(22) Filed: **Sep. 8, 2005**

(51) **LOC (8) Cl.** **13-03**

(52) **U.S. Cl.** **D13/184; D13/154**

(58) **Field of Classification Search** D13/154,
D13/184; 174/101; 385/135; 439/534, 540.1

See application file for complete search history.

(56) **References Cited**

U.S. PATENT DOCUMENTS

5,127,082	A	6/1992	Below et al.	
5,167,530	A *	12/1992	Wallgren et al.	439/540.1
D411,515	S *	6/1999	Tulley	D13/154
6,273,752	B1 *	8/2001	Martin et al.	439/540.1
6,537,106	B1	3/2003	Follingstad	
6,761,583	B2 *	7/2004	Ortowski et al.	439/540.1
6,866,541	B2	3/2005	Barker et al.	
6,916,199	B2	7/2005	Follingstad	
6,918,786	B2	7/2005	Barker et al.	

6,971,909	B2	12/2005	Levesque et al.	
6,981,893	B2	1/2006	Barker et al.	
7,094,095	B1 *	8/2006	Caveney	439/540.1
2004/0219829	A1 *	11/2004	Clark et al.	439/540.1
2005/0041947	A1 *	2/2005	Barker et al.	385/135
2005/0191901	A1 *	9/2005	Follingstad	439/534
2006/0118321	A1 *	6/2006	Herring et al.	174/101
2006/0194470	A1 *	8/2006	Caveney	439/540.1
2006/0194471	A1 *	8/2006	Clark et al.	439/540.1

* cited by examiner

Primary Examiner—Selina Sikder

(74) *Attorney, Agent, or Firm*—George C. Rondeau, Jr.; Davis Wright Tremaine LLP

(57) **CLAIM**

The ornamental design for a patch panel, as shown and described.

DESCRIPTION

FIG. 1 is a perspective view of the patch panel showing our new design;

FIG. 2 is a front elevational view thereof.

FIG. 3 is a rear elevational view thereof.

FIG. 4 is a top plan view thereof.

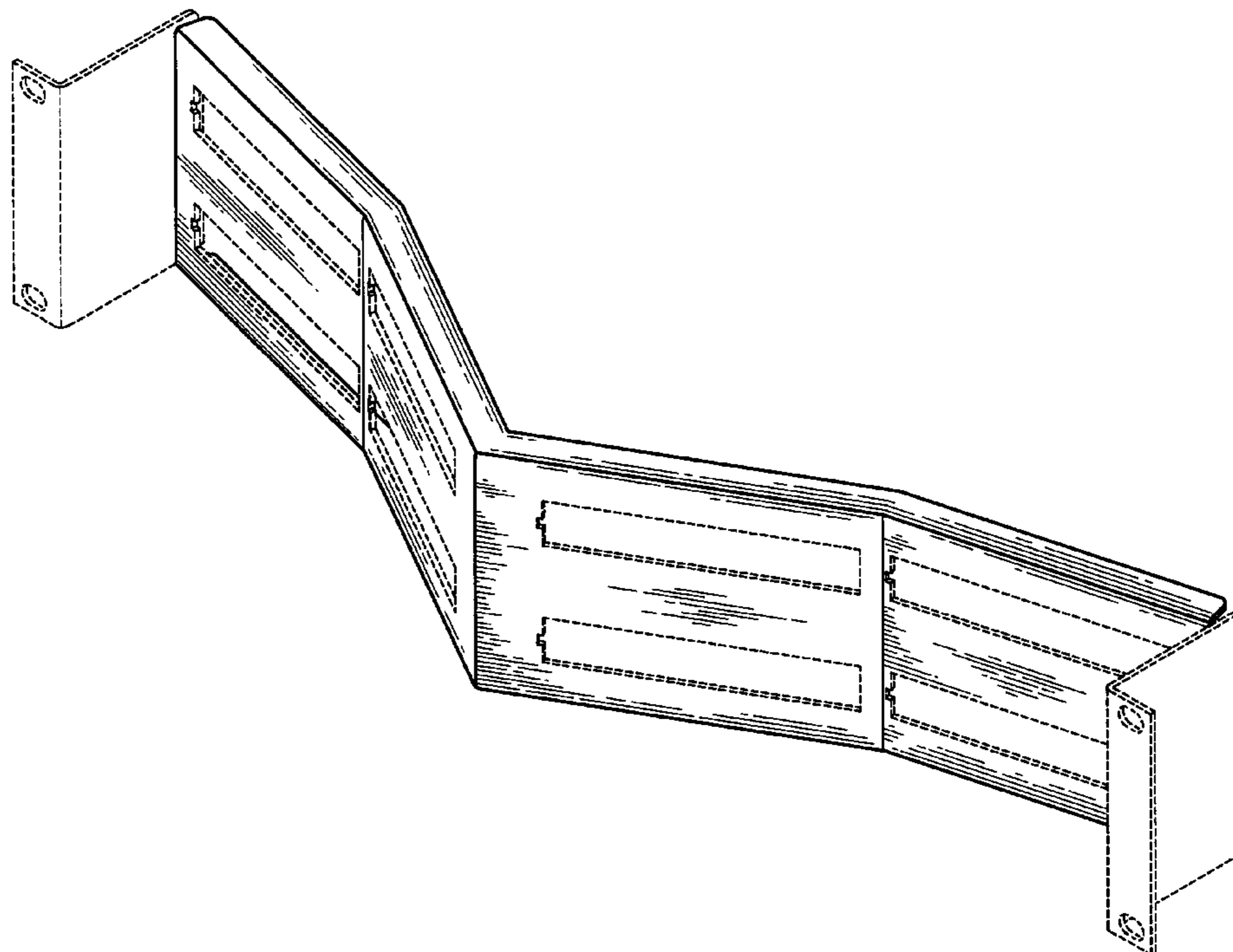
FIG. 5 is a bottom plan view thereof.

FIG. 6 is a left side elevational view thereof; and,

FIG. 7 is a right side elevational view thereof.

The broken lines are for illustrative purposes only and form no part of the claimed design.

1 Claim, 4 Drawing Sheets



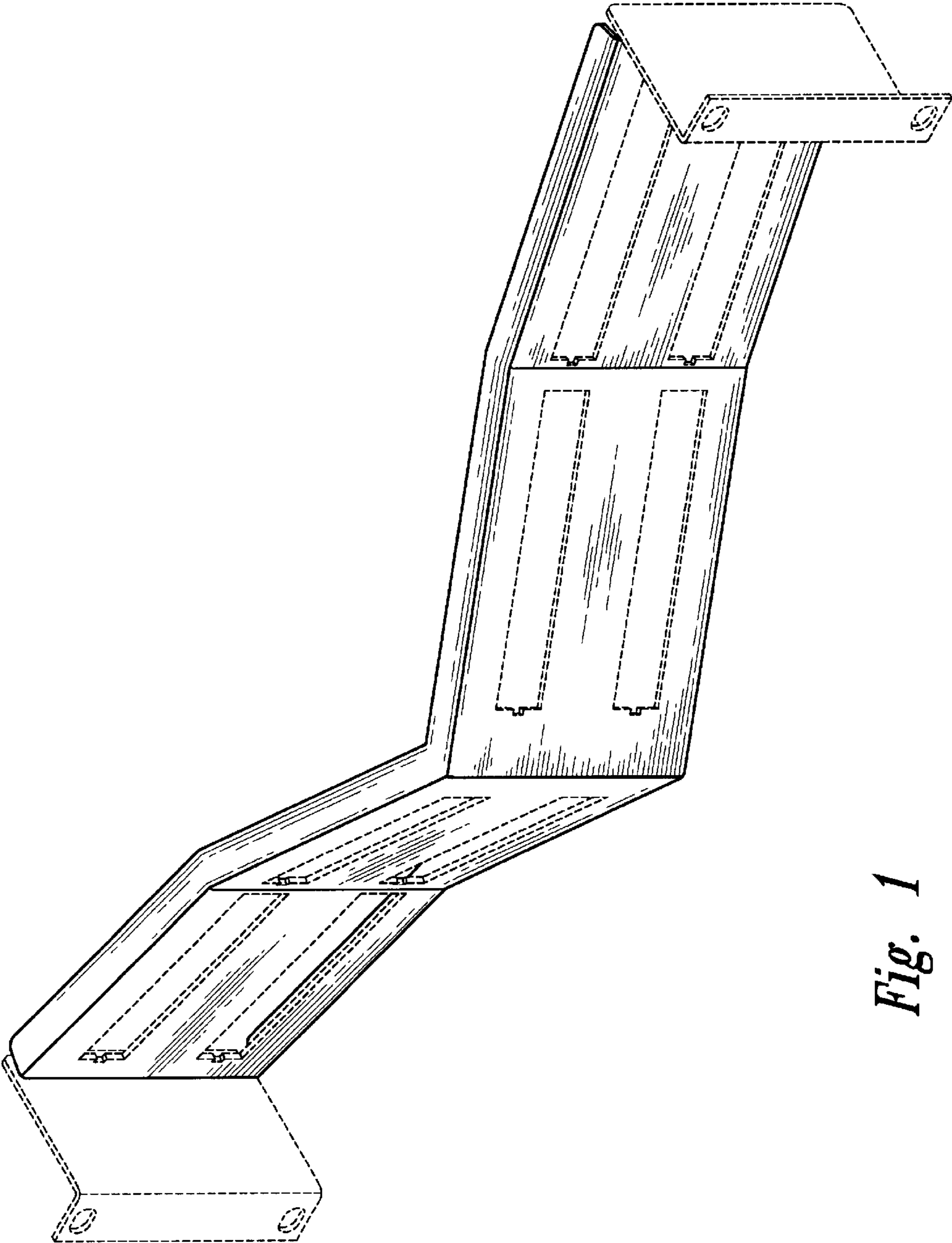


Fig. 1

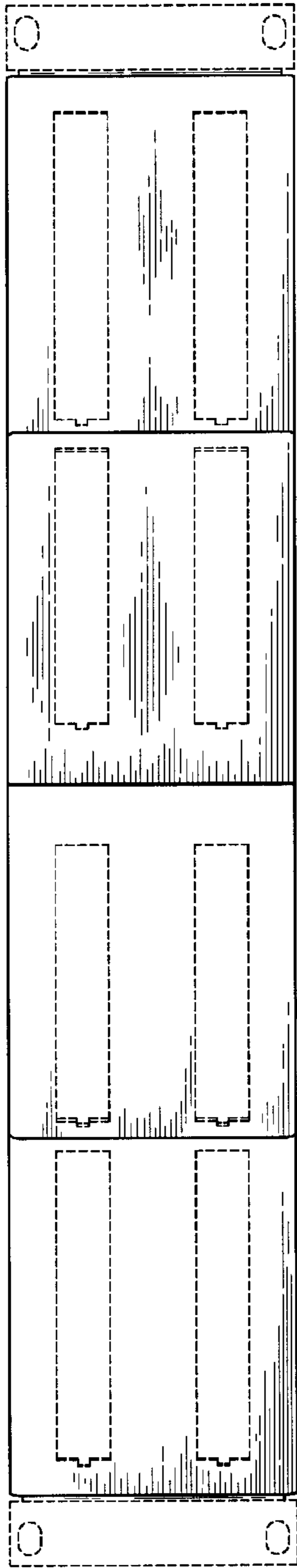


Fig. 2

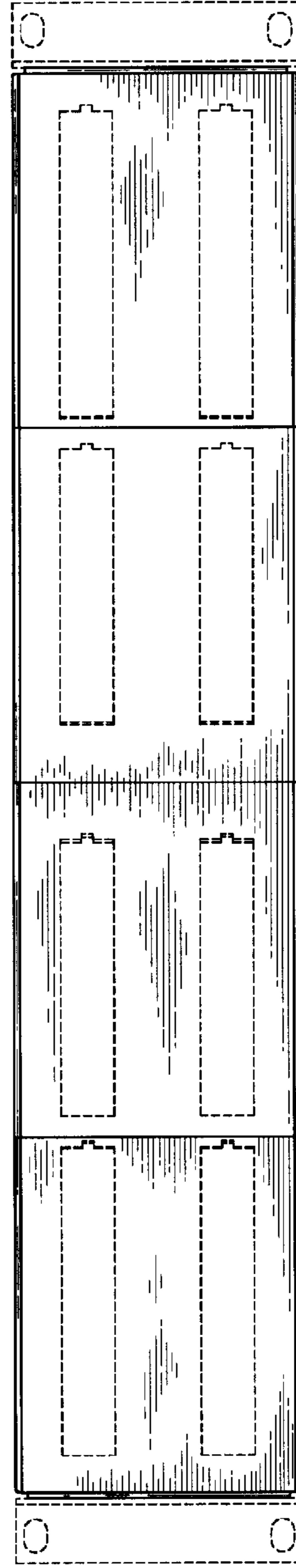


Fig. 3

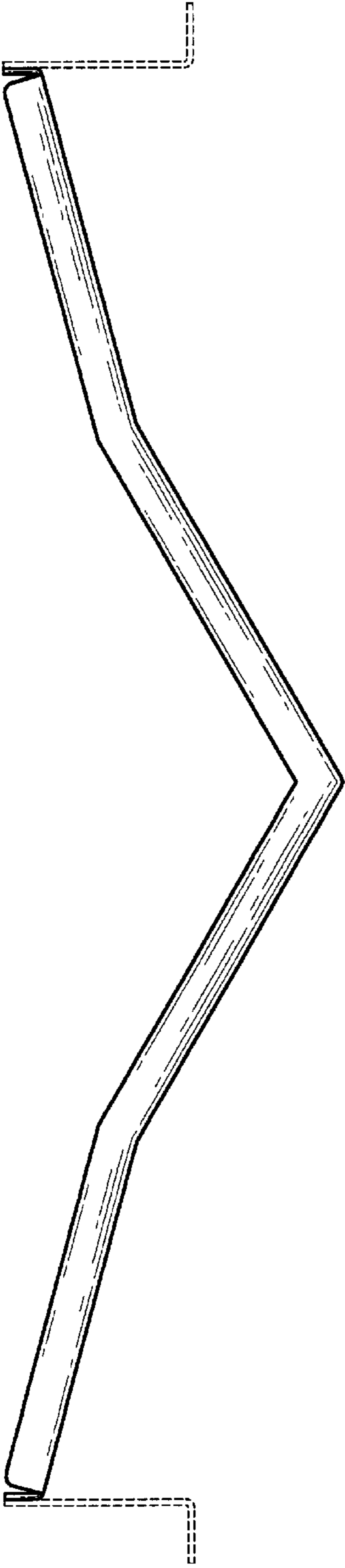


Fig. 4



Fig. 5

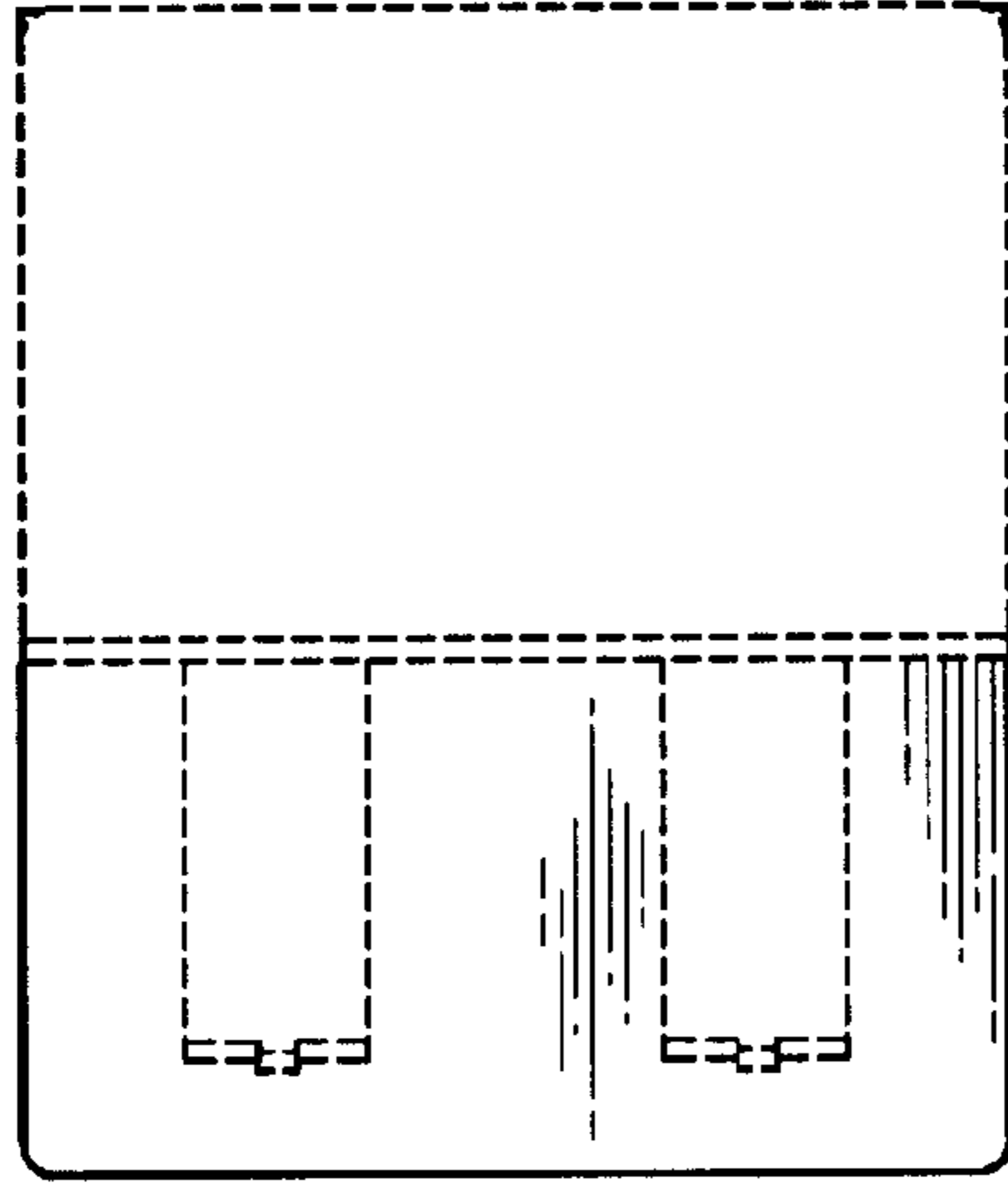


Fig. 6

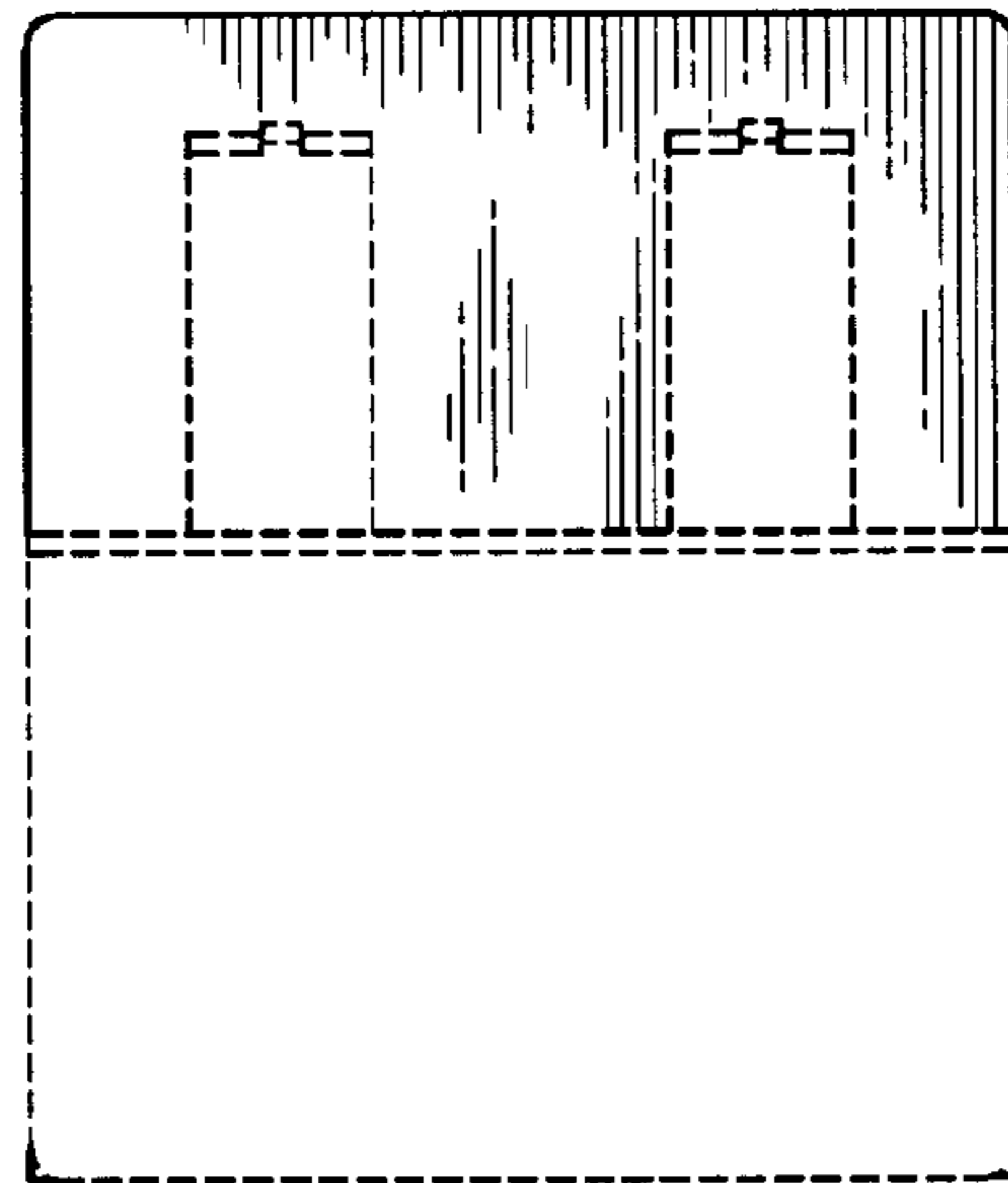


Fig. 7