



US00D542239S

(12) **United States Design Patent**
Egawa

(10) **Patent No.:** **US D542,239 S**

(45) **Date of Patent:** **** May 8, 2007**

(54) **LIGHT EMITTING DIODE MODULE**

(75) Inventor: **Kazuo Egawa**, Tokyo (JP)

(73) Assignee: **Toshiba Lighting & Technology Corporation**, Tokyo (JP)

(**) Term: **14 Years**

(21) Appl. No.: **29/237,173**

(22) Filed: **Aug. 26, 2005**

(30) **Foreign Application Priority Data**

Apr. 28, 2005 (JP) 2005-012947

(51) **LOC (8) Cl.** **13-03**

(52) **U.S. Cl.** **D13/180**

(58) **Field of Classification Search** D13/180;
257/79, 80, 81, 82, 88, 89, 95, 98, 99, 100,
257/433, 434, 666; 313/483, 498, 500; 361/820;
362/235, 249, 555, 800; 372/45

See application file for complete search history.

(56) **References Cited**

U.S. PATENT DOCUMENTS

6,355,946 B1 * 3/2002 Ishinaga 257/98
6,495,861 B1 * 12/2002 Ishinaga 257/99
6,593,598 B2 * 7/2003 Ishinaga 257/98

6,624,491 B2 * 9/2003 Waitl et al. 257/434
D503,930 S * 4/2005 Asakawa D13/180
D517,027 S * 3/2006 Suenaga D13/180
D520,965 S * 5/2006 Omata D13/180

* cited by examiner

Primary Examiner—Selina Sikder

(74) *Attorney, Agent, or Firm*—J.C. Patents

(57) **CLAIM**

The ornamental design for a light emitting diode module, as shown and described.

DESCRIPTION

FIG. 1 is a perspective view of a light emitting diode module showing the new design.

FIG. 2 is a front view thereof.

FIG. 3 is a right side view thereof, and a rear view and a left side view being the same of the right side view.

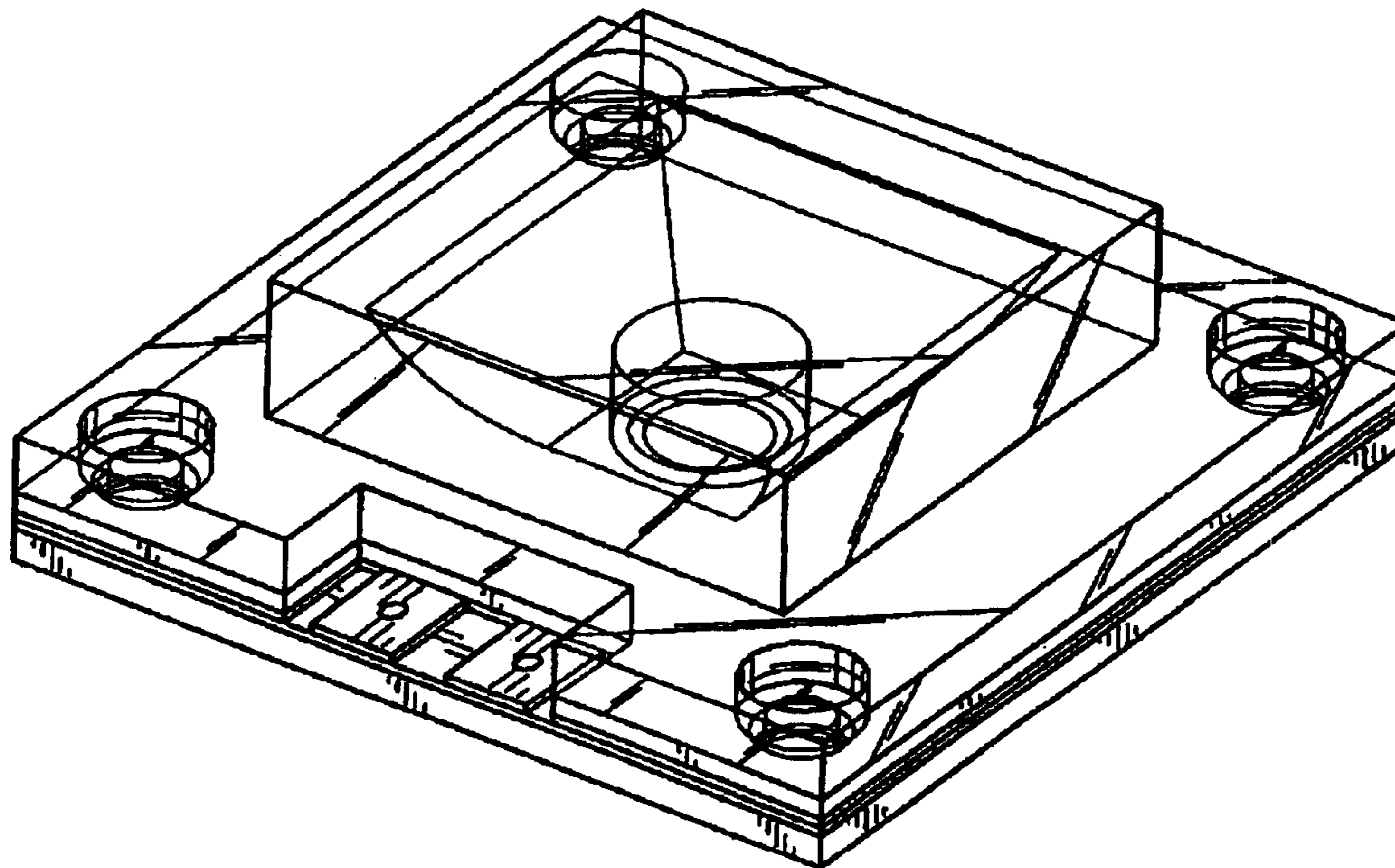
FIG. 4 is a top plan view thereof.

FIG. 5 is a bottom plan view thereof.

FIG. 6 is an enlarged cross-sectional view taken along line 6—6 in FIG. 2, wherein the portions having the double slanted lines are transparent; and,

FIG. 7 is an enlarged cross-sectional view taken along line 7—7 in FIG. 4, wherein the portions having the double slanted lines are transparent.

1 Claim, 5 Drawing Sheets



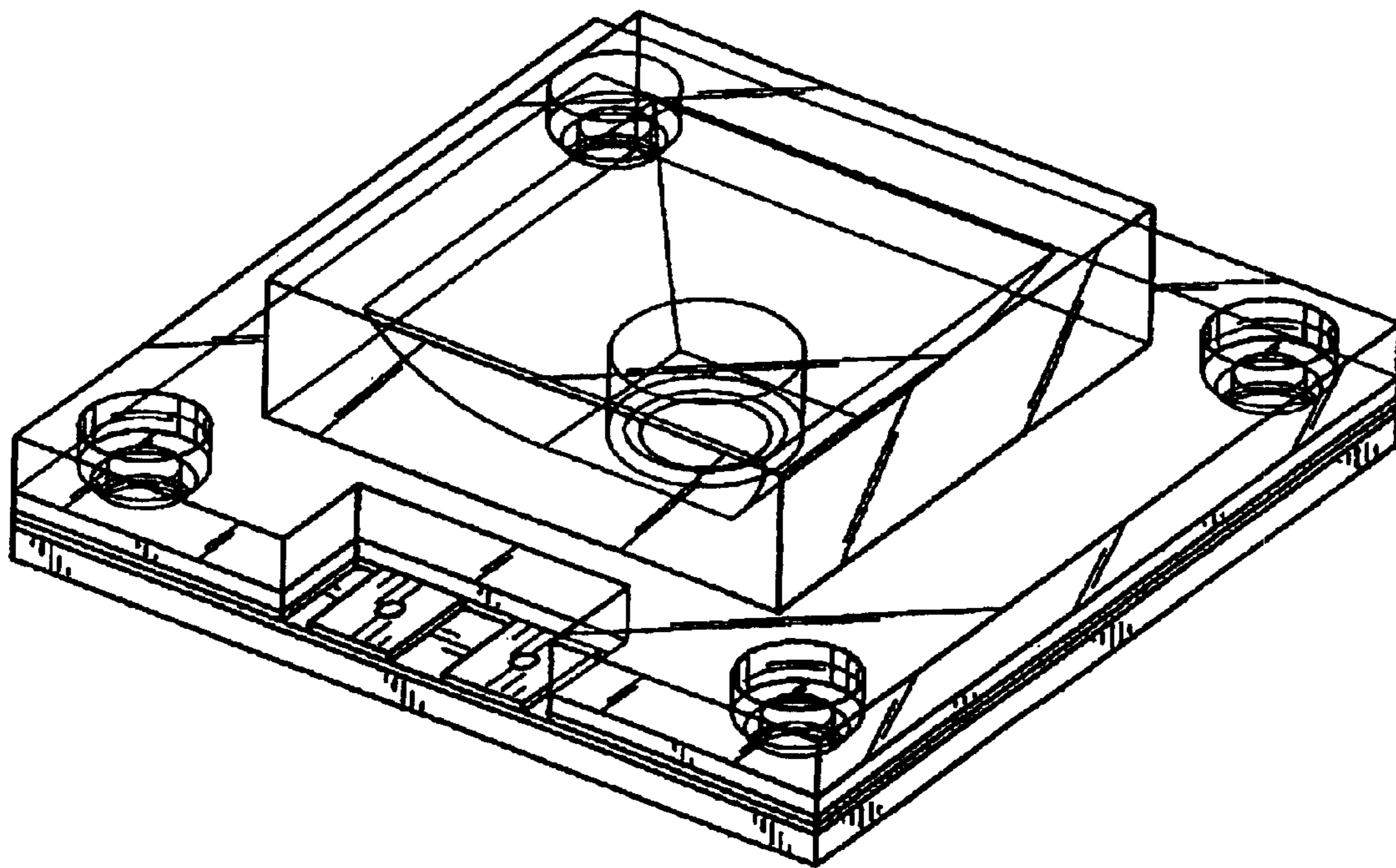


FIG. 1

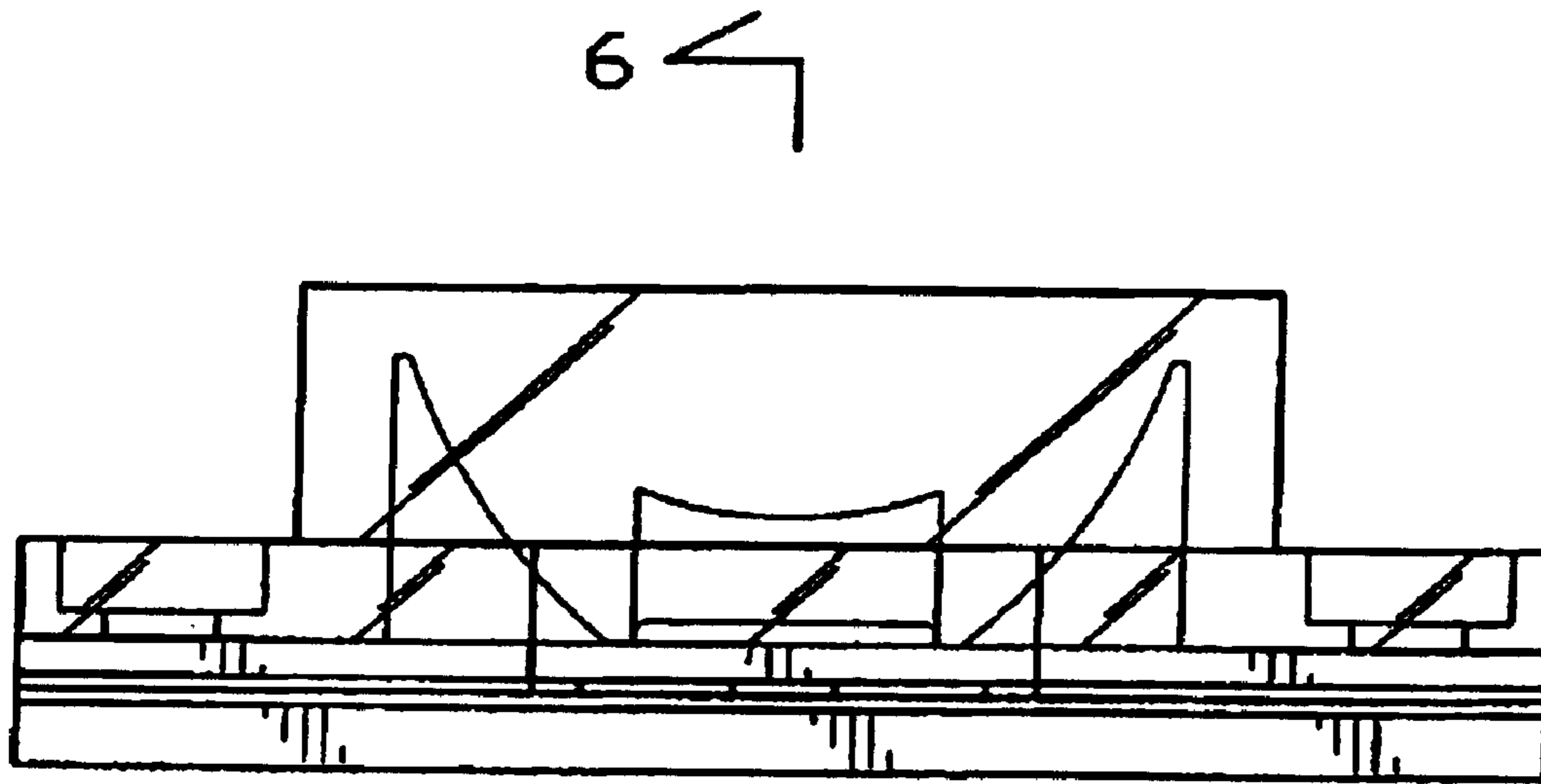


FIG. 2

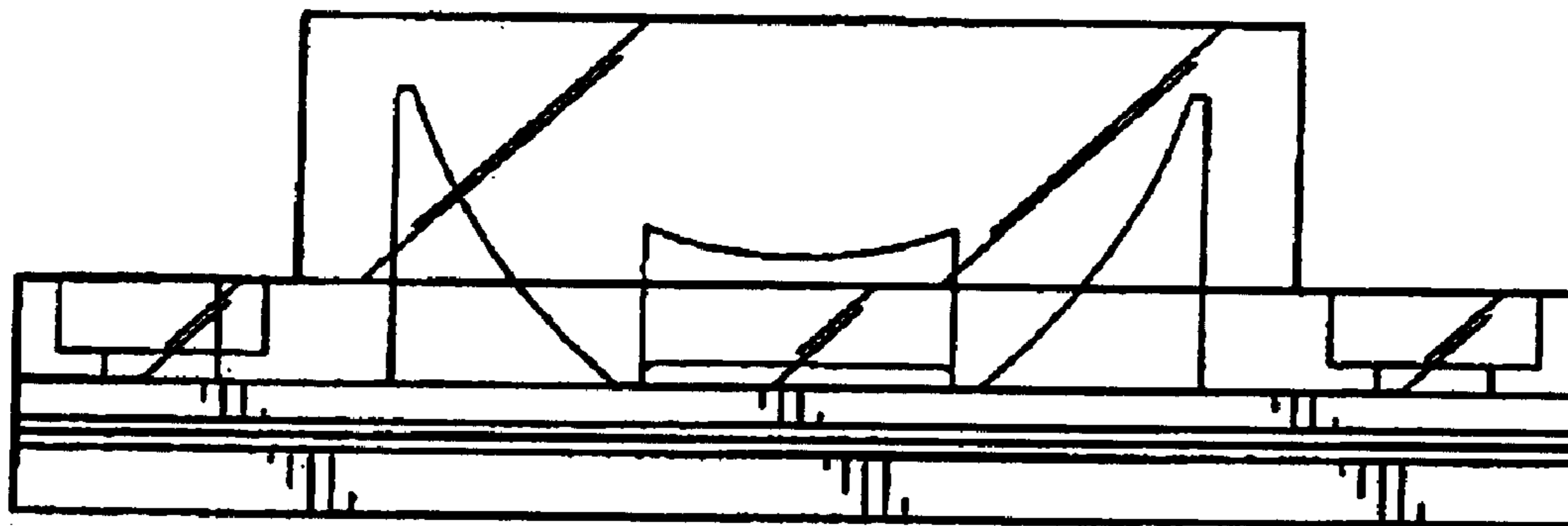


FIG. 3

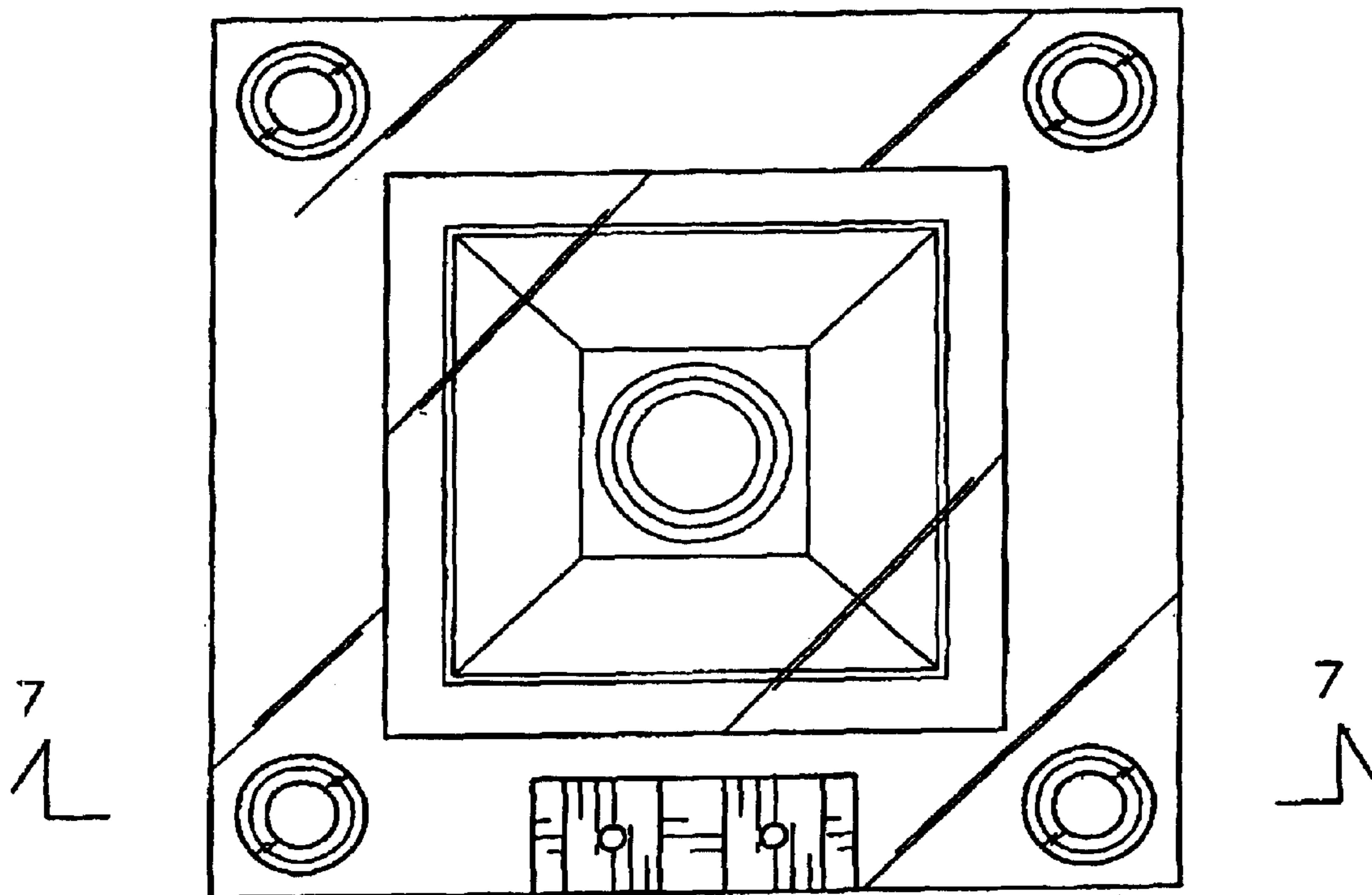


FIG. 4

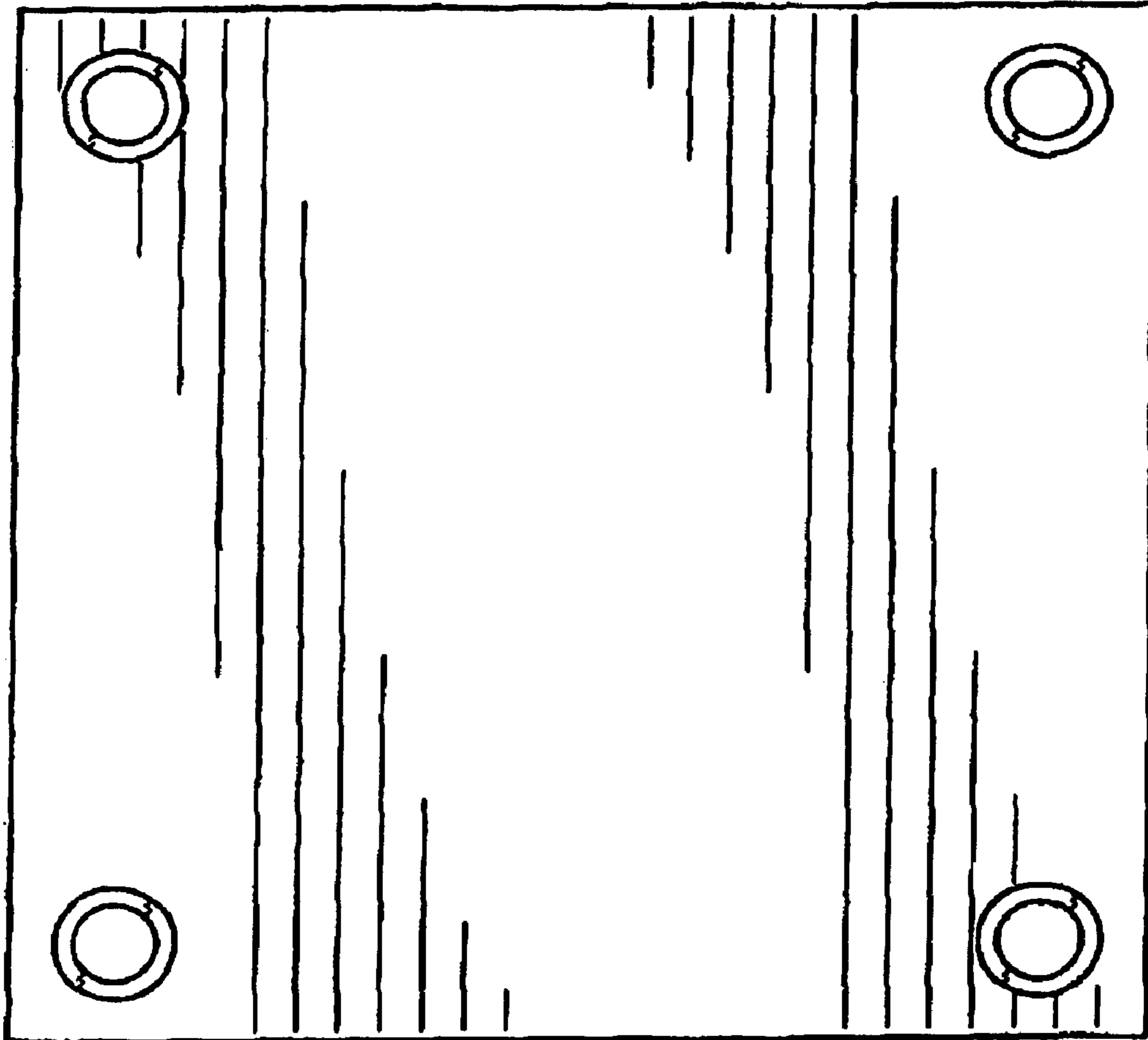


FIG. 5

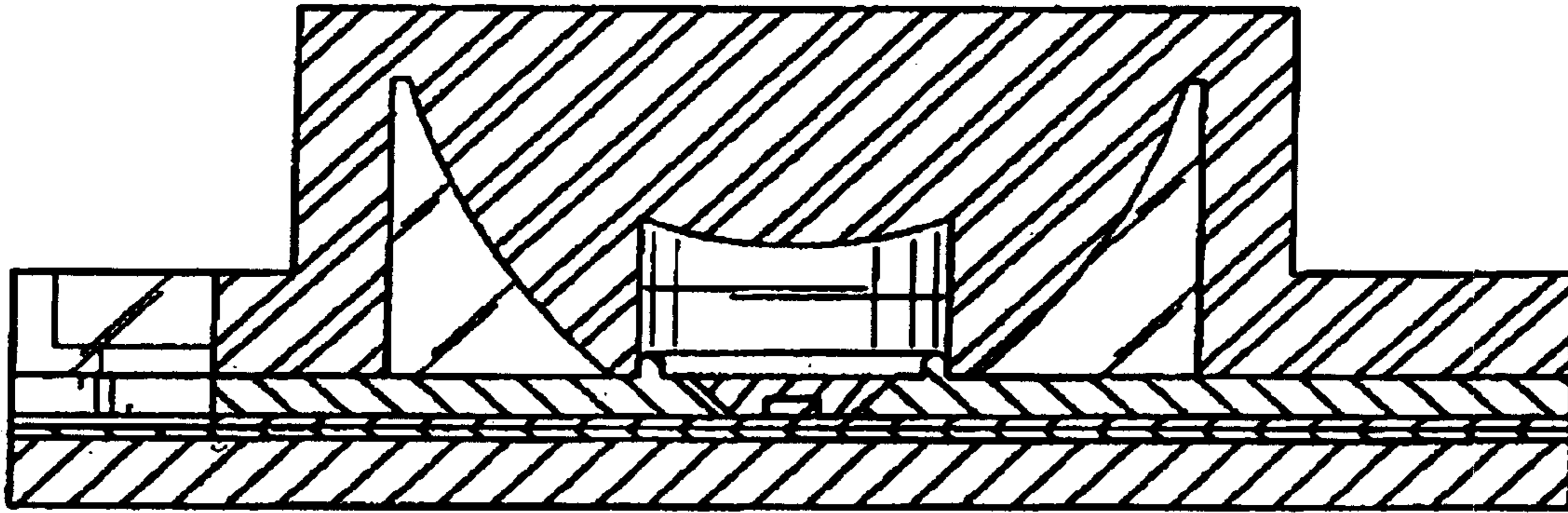


FIG. 6

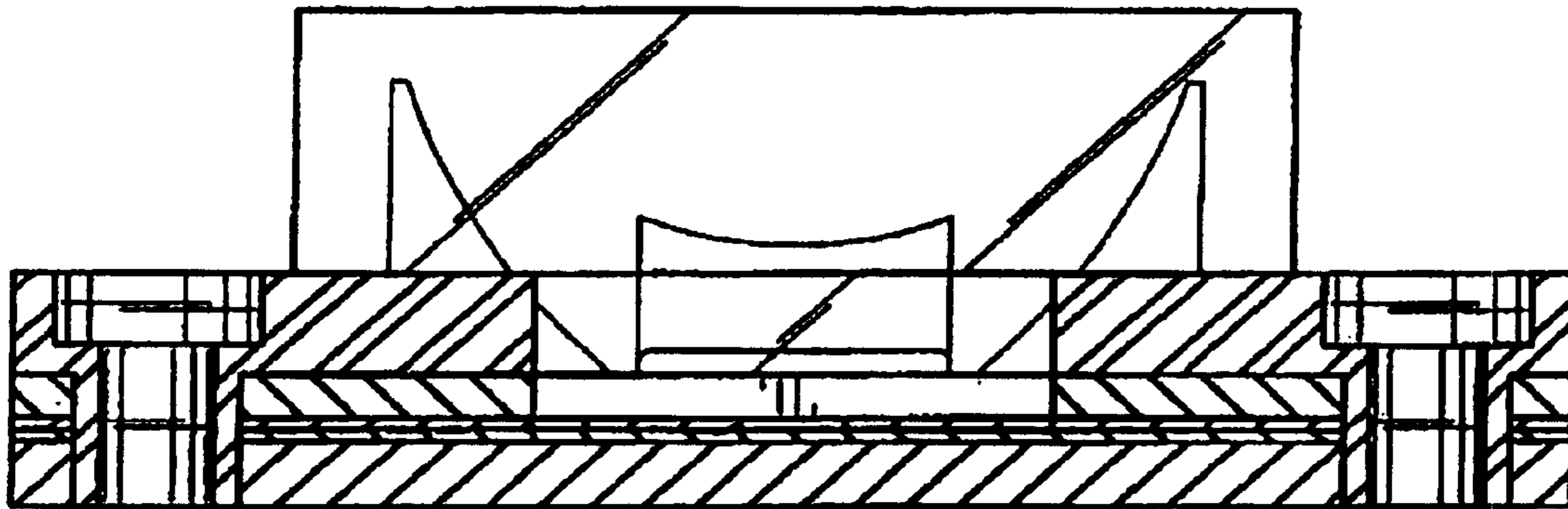


FIG. 7