



US00D542238S

(12) **United States Design Patent** (10) **Patent No.:** **US D542,238 S**  
**Nohara et al.** (45) **Date of Patent:** **\*\* May 8, 2007**

(54) **ARC TUBE FOR A HIGH INTENSITY DISCHARGE LAMP**

(75) Inventors: **Hiroshi Nohara**, Nishinomiya (JP);  
**Nobuyoshi Takeuchi**, Ibaraki (JP);  
**Mikio Miura**, Takatsuki (JP); **Atsushi Utsubo**, Toyonaka (JP); **Yukiya Kanazawa**, Osaka (JP)

(73) Assignee: **Matsushita Electric Industrial Co., Ltd.**, Osaka (JP)

(\*\*) Term: **14 Years**

(21) Appl. No.: **29/226,630**

(22) Filed: **Mar. 30, 2005**

(30) **Foreign Application Priority Data**

Oct. 29, 2004 (JP) ..... 2004-033102  
Oct. 29, 2004 (JP) ..... 2004-033116

(51) **LOC (8) Cl.** ..... **13-03**

(52) **U.S. Cl.** ..... **D13/180**

(58) **Field of Classification Search** ..... D13/180;  
D26/2; 264/6, 632, 636; 313/12, 15, 25, 51,  
313/113, 493, 571, 620, 623, 625, 634; 315/47,  
315/56, 73; 361/760, 807; 362/283; 445/21,  
445/26

See application file for complete search history.

(56) **References Cited**

U.S. PATENT DOCUMENTS

2,248,979 A \* 7/1941 Friederich et al. .... 315/51  
3,385,645 A \* 5/1968 Smith ..... 445/21  
3,721,846 A \* 3/1973 Cohen ..... 313/15  
3,746,914 A \* 7/1973 Olson et al. .... 315/47  
3,867,660 A \* 2/1975 Fohl ..... 313/12  
4,387,067 A \* 6/1983 Kobayashi et al. .... 264/636

4,594,529 A \* 6/1986 de Vrijer ..... 313/571  
4,678,960 A \* 7/1987 Reiling ..... 313/25  
5,022,882 A \* 6/1991 White et al. .... 445/21  
5,757,110 A \* 5/1998 Motiduki et al. .... 313/25  
5,856,721 A \* 1/1999 Gordin et al. .... 313/25  
6,087,774 A \* 7/2000 Nakayama et al. .... 313/607  
6,676,277 B1 \* 1/2004 Gordin ..... 362/263  
6,731,069 B1 \* 5/2004 Newell et al. .... 313/643  
6,905,230 B2 \* 6/2005 Schmitkons ..... 362/263  
2002/0021093 A1 \* 2/2002 Kakisaka et al. .... 313/634

\* cited by examiner

*Primary Examiner*—Selina Sikder

(74) *Attorney, Agent, or Firm*—Brinks Hofer Gilson & Lione

(57) **CLAIM**

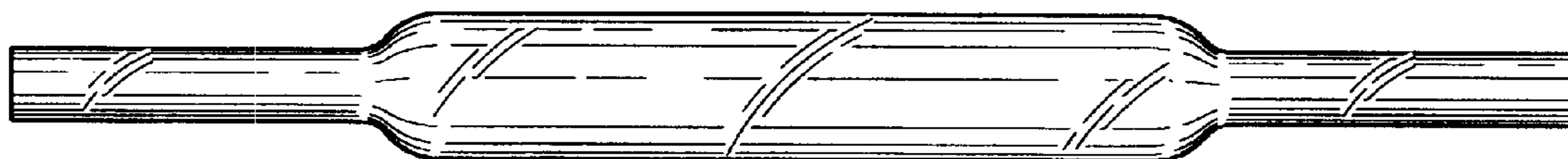
We claim the ornamental design for an arc tube for a high intensity discharge lamp, as shown and described.

**DESCRIPTION**

FIG. 1 is a front view of an arc tube for a high intensity discharge lamp of the present invention, wherein the rear, top, and bottom views are mirror images thereof; FIG. 2 is a right side view thereof, wherein the left side view is a mirror image thereof; FIG. 3 is a front view of the arc tube for a high intensity discharge lamp of FIG. 1 shown in an environmental use; FIG. 4 is a rear view thereof; FIG. 5 is a top view thereof; FIG. 6 is a bottom view thereof; FIG. 7 is a left side view thereof; and, FIG. 8 is a right side view thereof.

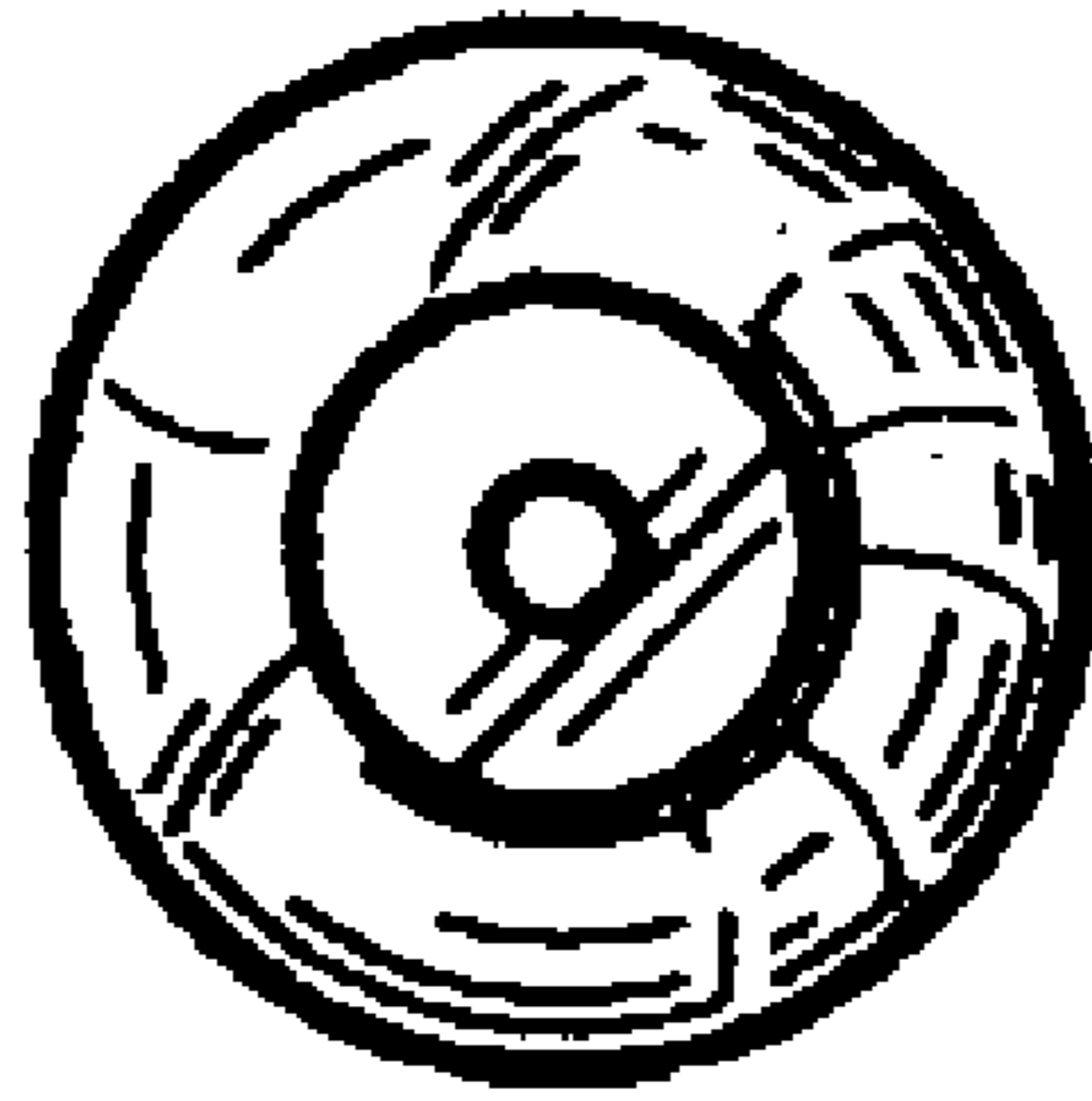
The ornamental design which is claimed is shown in solid lines in the drawings. Any broken lines in the drawings are for illustrative purposes only and form no part of the claimed design.

**1 Claim, 8 Drawing Sheets**

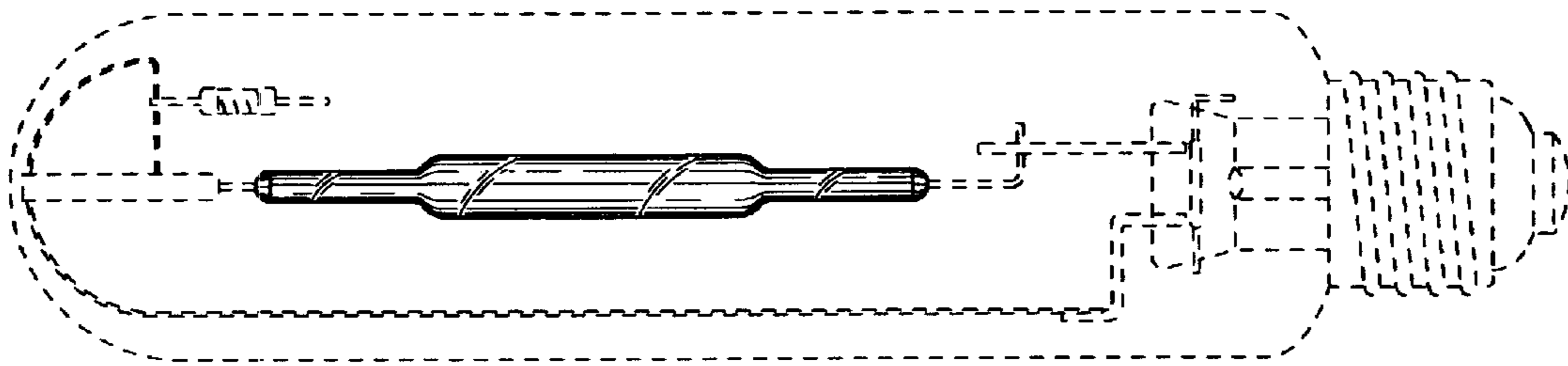




**FIG. 1**



**FIG. 2**



**FIG. 3**

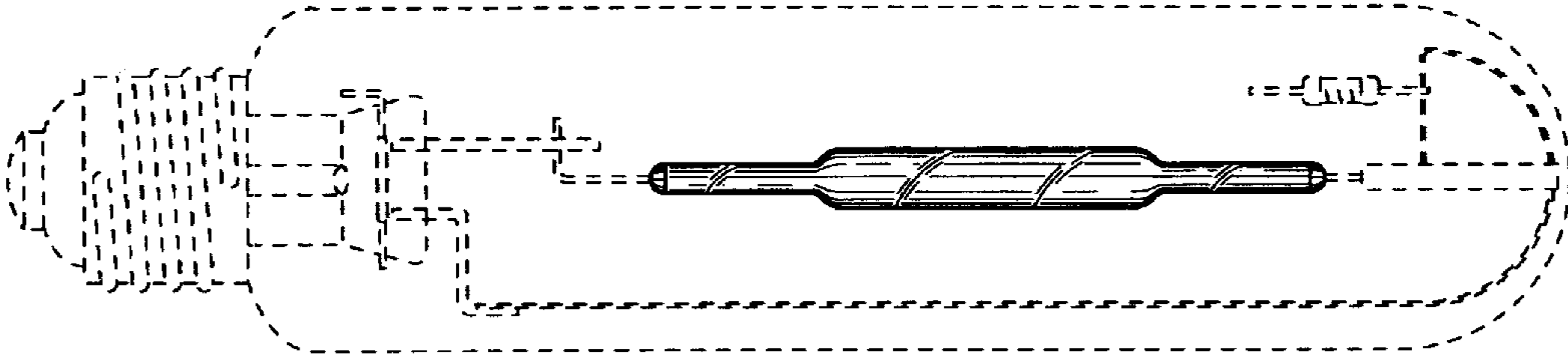
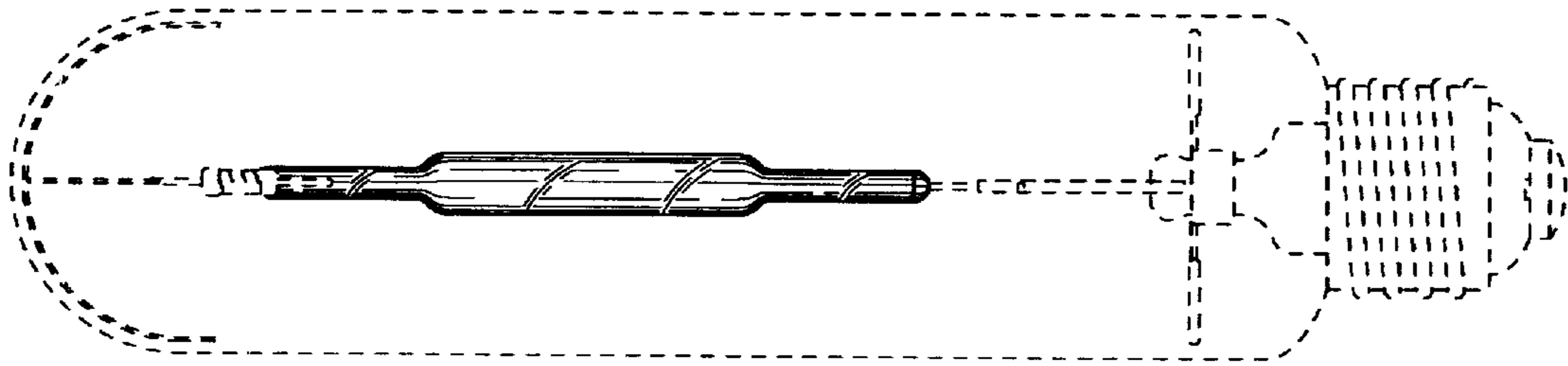
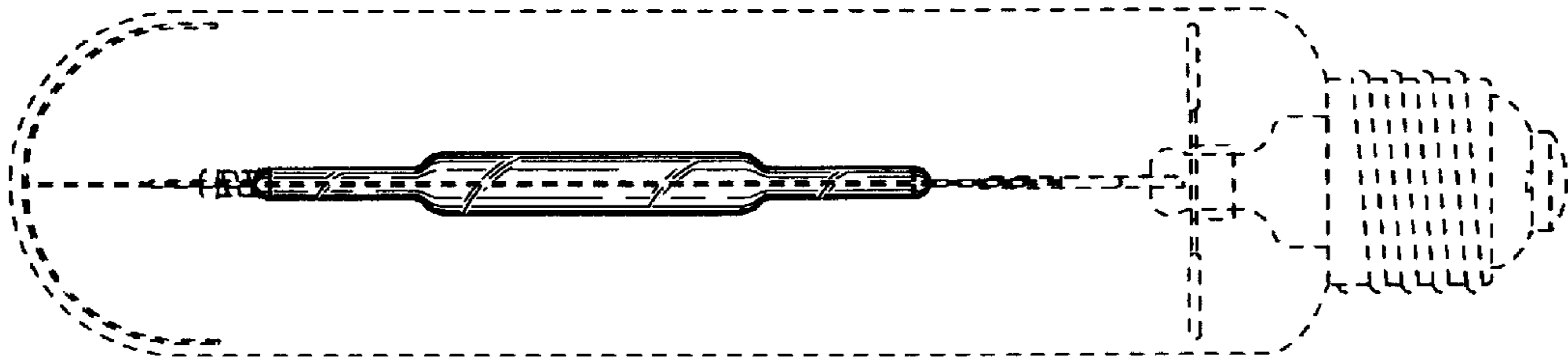


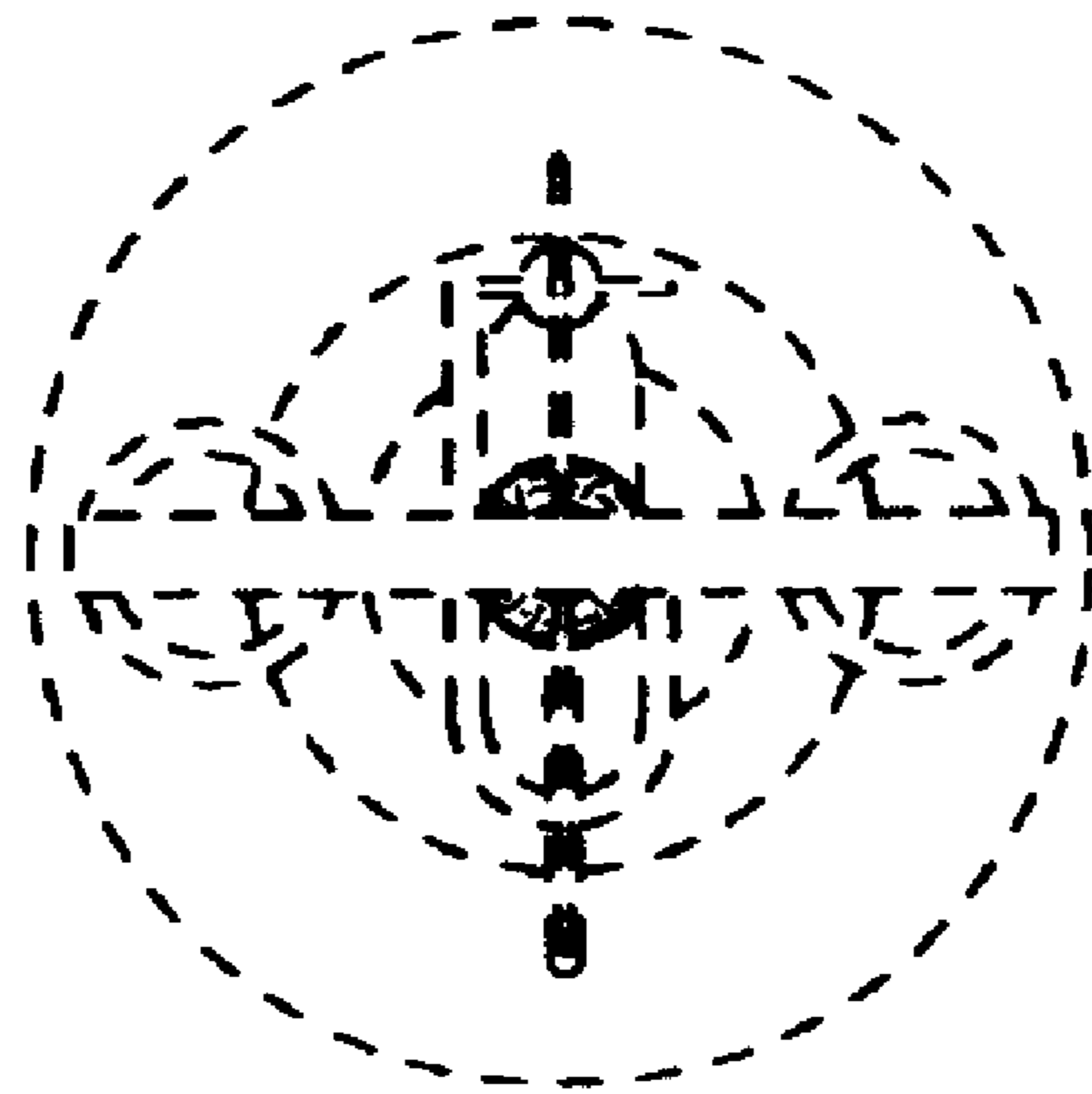
FIG. 4



**FIG. 5**

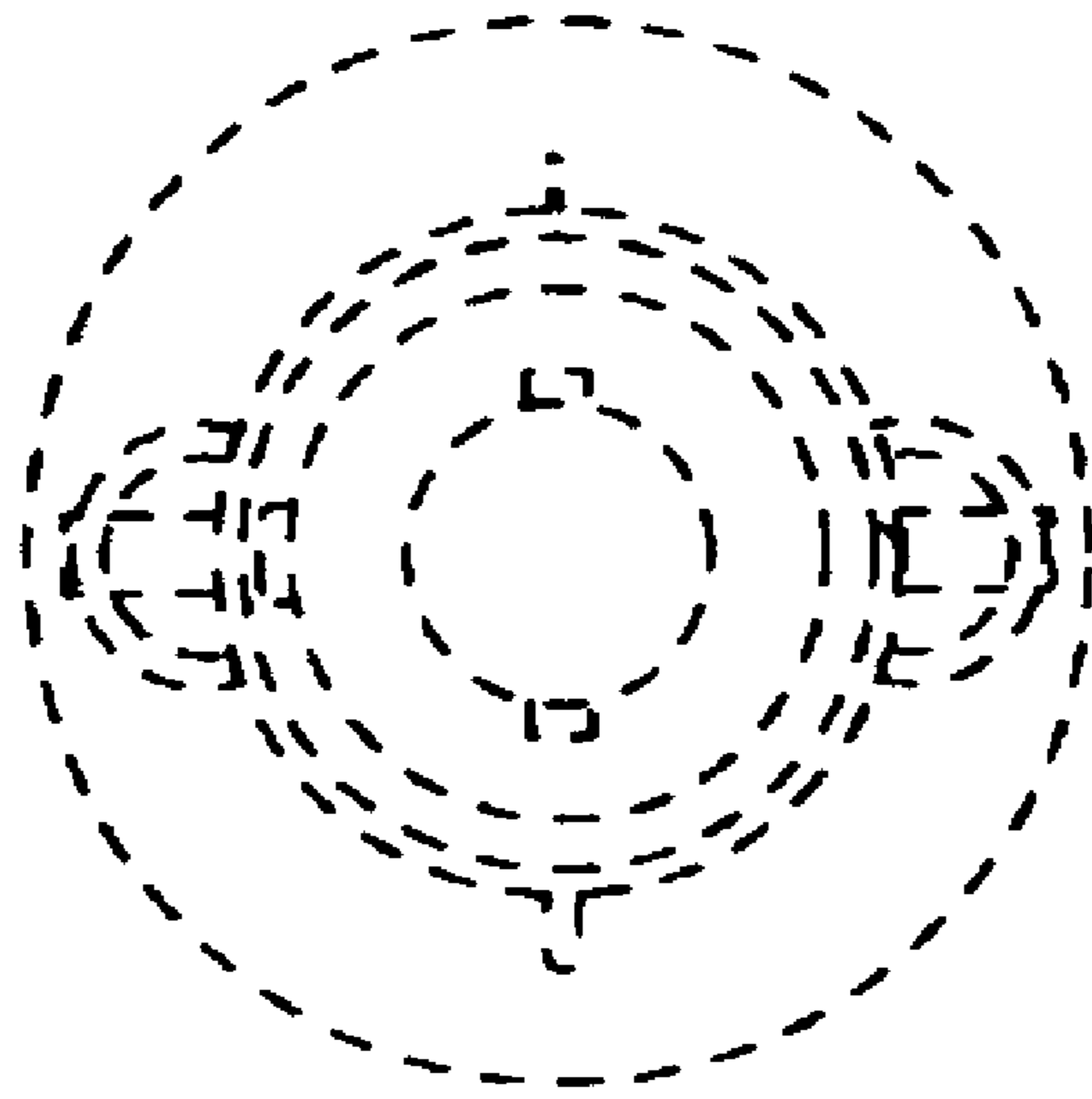


**FIG. 6**



**FIG. 7**





**FIG. 8**