



US00D542236S

(12) **United States Design Patent** (10) **Patent No.:** **US D542,236 S**
Klein et al. (45) **Date of Patent:** **** May 8, 2007**

(54) **HAND HELD DEVICE KEY SET**

(56) **References Cited**

(76) Inventors: **Sandro David Klein**, 11671 Rabaul Dr., Cypress, CA (US) 90630;
Alejandro Garfio, 8915 Dunlap Crossing Rd. #1, Pico Rivera, CA (US) 90660

U.S. PATENT DOCUMENTS

D447,742 S * 9/2001 Cornille D14/218
D453,503 S * 2/2002 Fitzsimmons et al. D13/168
D477,591 S * 7/2003 Hung D14/218
D494,145 S * 8/2004 Klimas D13/168
D506,463 S * 6/2005 Daniels D14/218
D513,498 S * 1/2006 Krzyzanowski et al. ... D13/168

(**) **Term:** **14 Years**

* cited by examiner

(21) **Appl. No.:** **29/242,163**

Primary Examiner—Selina Sikder

(22) **Filed:** **Nov. 7, 2005**

(57) **CLAIM**

(51) **LOC (8) Cl.** **13-03**

What is claimed is the ornamental design for a “hand held device key set,” as shown and described.

(52) **U.S. Cl.** **D13/168**

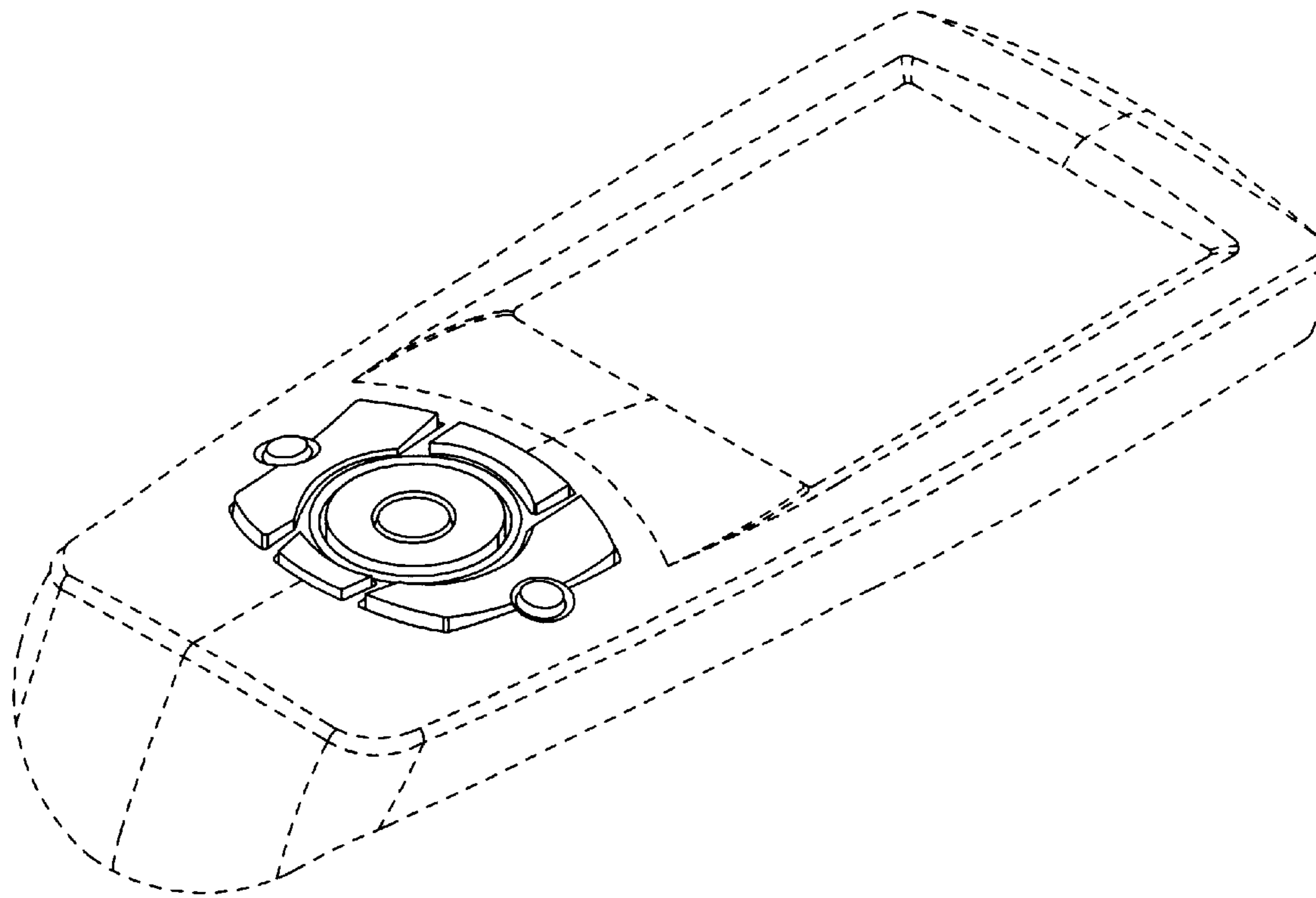
DESCRIPTION

(58) **Field of Classification Search** D13/168;
D10/104, 106; D14/218, 247; 340/825.22,
340/825.24, 825.25, 825.31, 825.36, 825.69,
340/825.71, 825.72; 341/20, 22, 23, 34, 173,
341/174, 176; 345/156, 168, 169; 348/734;
455/92, 95, 100, 128, 151.1–151.4, 325–355;
463/39; 700/17, 19, 20, 281

FIG. 1 is a perspective view of a hand held device key set showing the new design; and,
FIG. 2 is a top plan view of the hand held device key set. The elements shown in dotted lines in FIG. 1 and FIG. 2 form no part of the claimed design.

See application file for complete search history.

1 Claim, 2 Drawing Sheets



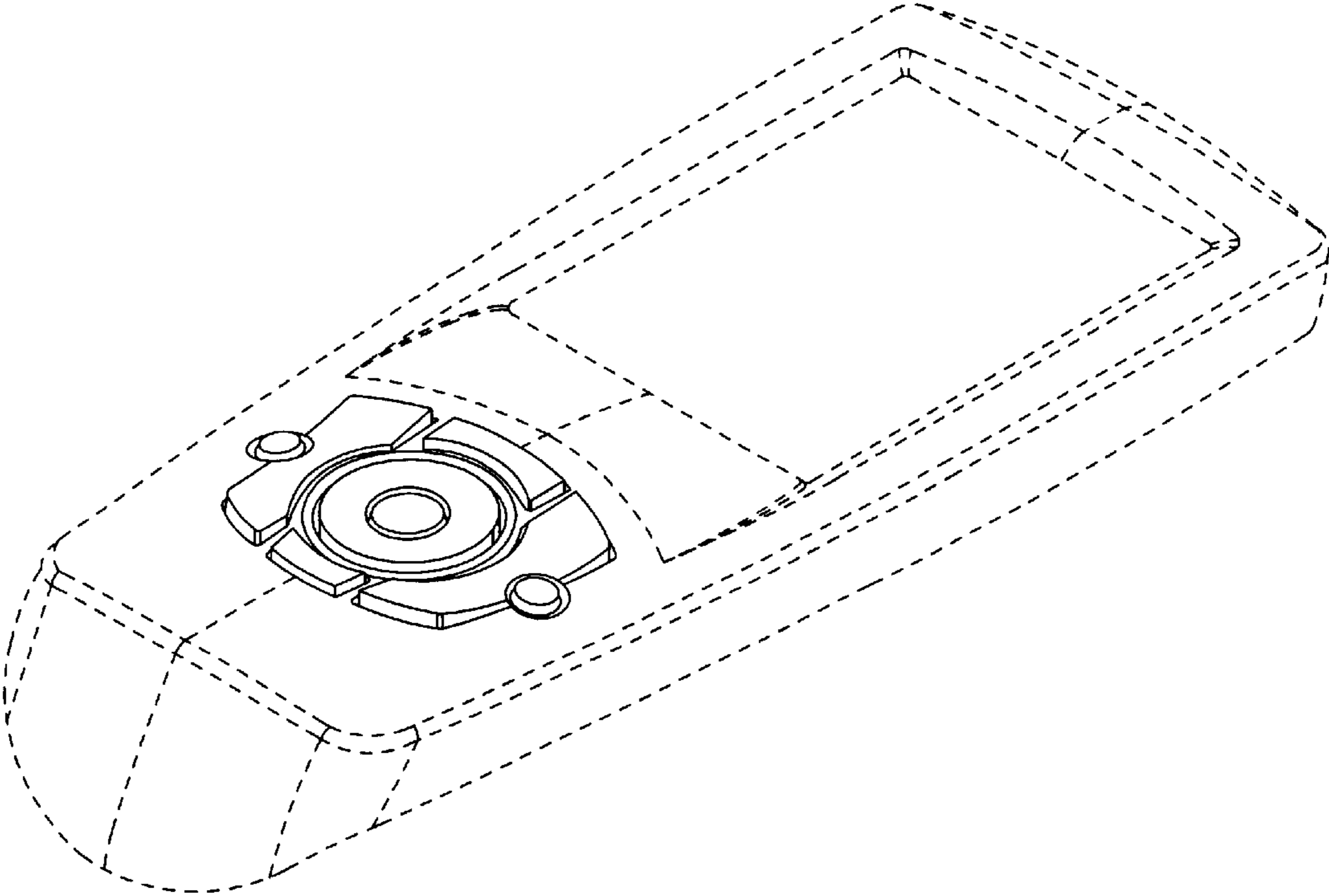


FIG. 1

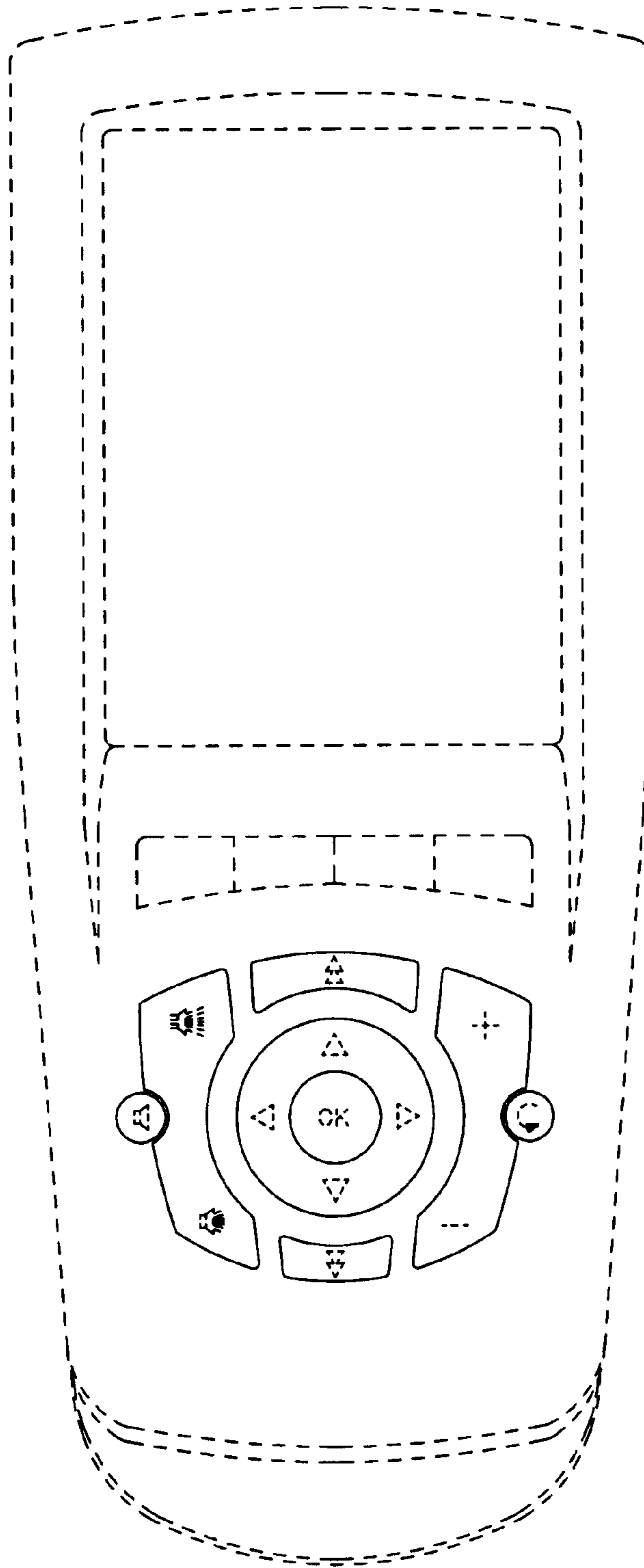


FIG. 2