



US00D542229S

(12) **United States Design Patent**
Larson et al.

(10) **Patent No.:** **US D542,229 S**

(45) **Date of Patent:** **** *May 8, 2007**

(54) **LIGHTING CONTROL**

(75) Inventors: **Paul A. Larson**, Macungie, PA (US);
Joel S. Spira, Coopersburg, PA (US)

(73) Assignee: **Lutron Electronics Co., Inc.**,
Coopersburg, PA (US)

(*) Notice: This patent is subject to a terminal disclaimer.

(**) Term: **14 Years**

(21) Appl. No.: **29/226,928**

(22) Filed: **Apr. 4, 2005**

Related U.S. Application Data

(63) Continuation-in-part of application No. 29/218,707, filed on Dec. 7, 2004, now Pat. No. Des. 510,074, which is a continuation-in-part of application No. 29/214,817, filed on Oct. 8, 2004, which is a continuation-in-part of application No. 29/207,370, filed on Jun. 10, 2004.

(51) **LOC (8) Cl.** **13-03**

(52) **U.S. Cl.** **D13/162**

(58) **Field of Classification Search** D13/162,
D13/164, 169, 170, 171; D10/108, 116, 118;
D8/353; 200/5 A, 293, 296, 297, 329, 333,
200/335, 339, 341, 520, 530, 537, 552; 220/241;
307/125, 139; 315/291-296

See application file for complete search history.

(56) **References Cited**

U.S. PATENT DOCUMENTS

D311,485 S * 10/1990 Jacoby et al. D8/353

D325,567 S * 4/1992 Jacoby et al. D13/170
D412,491 S * 8/1999 Mayo et al. D13/164
D421,246 S * 2/2000 Mayo et al. D13/162
D437,834 S * 2/2001 Mayo et al. D13/162
D456,783 S * 5/2002 Mayo et al. D13/164
D475,024 S * 5/2003 Bennett et al. D13/164
D509,805 S * 9/2005 Spira D13/164
D510,074 S * 9/2005 Larson et al. D13/164

* cited by examiner

Primary Examiner—Selina Sikder

(74) *Attorney, Agent, or Firm*—Drinker Biddle & Reath LLP

(57) **CLAIM**

The ornamental design for a lighting control, as shown and described.

DESCRIPTION

FIG. 1 is a perspective view of a lighting control according to a first embodiment of our new design.

FIG. 2 is a front view thereof.

FIG. 3 is a left side view thereof.

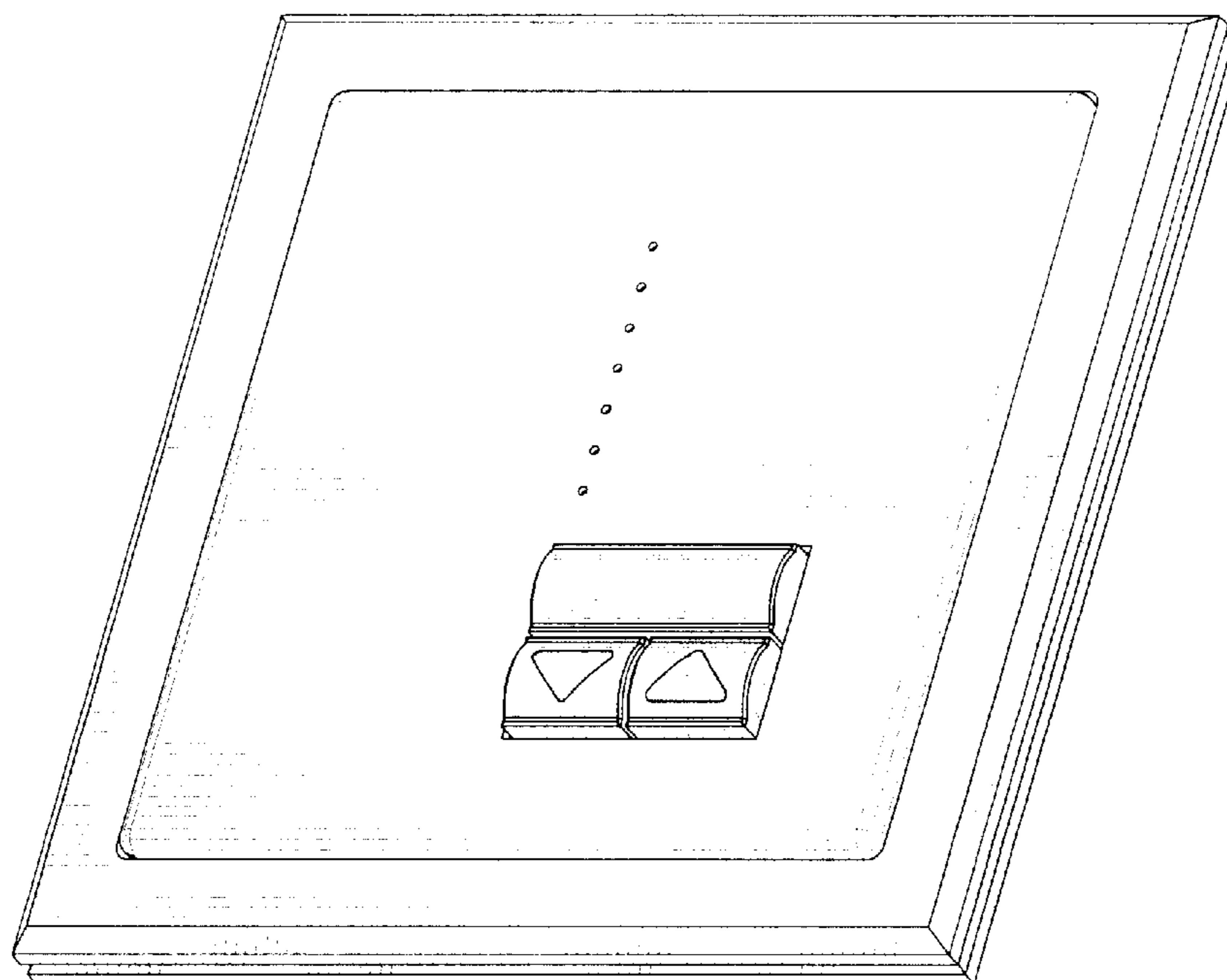
FIG. 4 is a right side view thereof.

FIG. 5 is a top view thereof; and,

FIG. 6 is a bottom view thereof.

The portions of the drawings appearing in broken line are for environment only and do not form a part of the design.

1 Claim, 3 Drawing Sheets



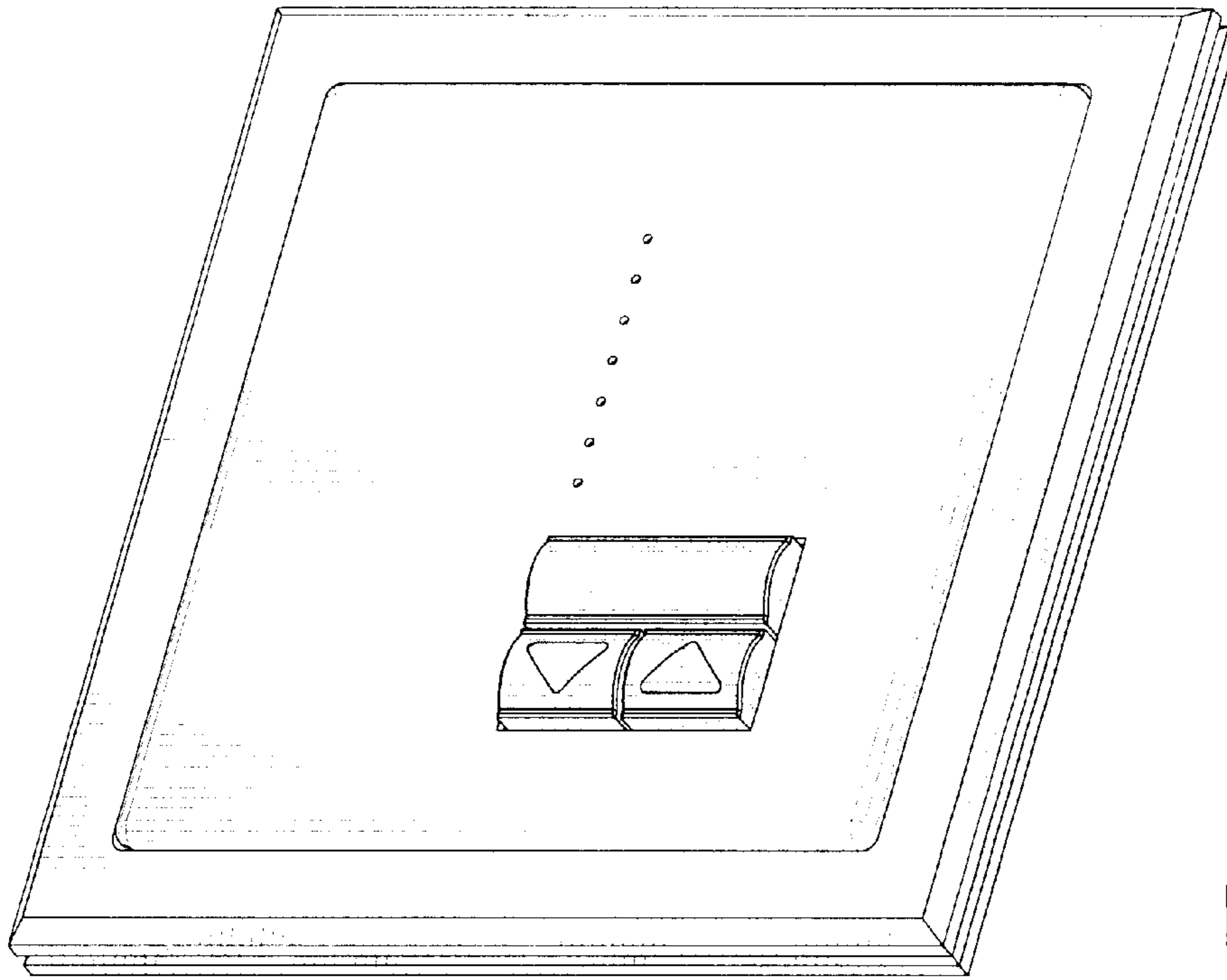


FIG. 1

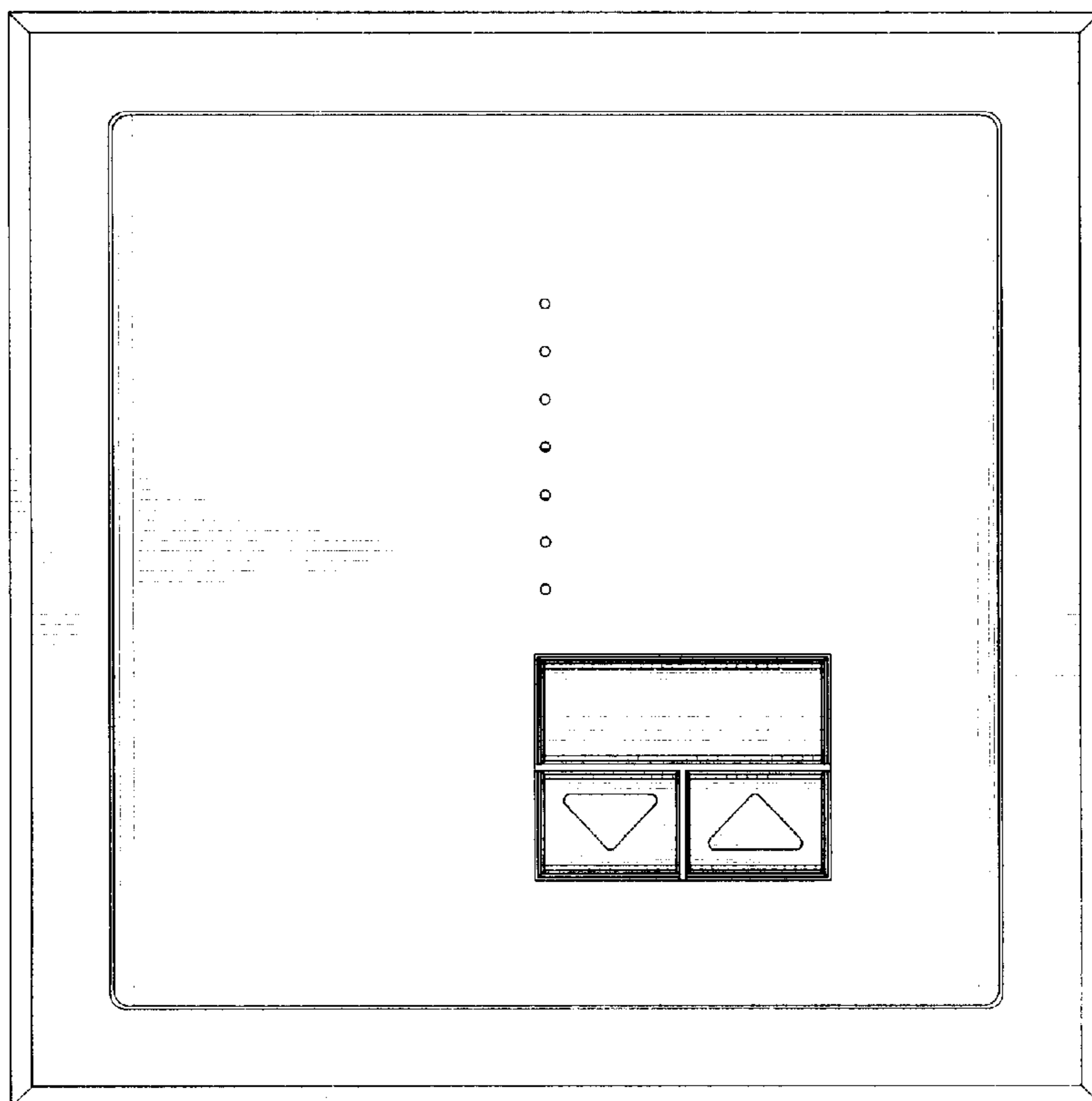


FIG. 2

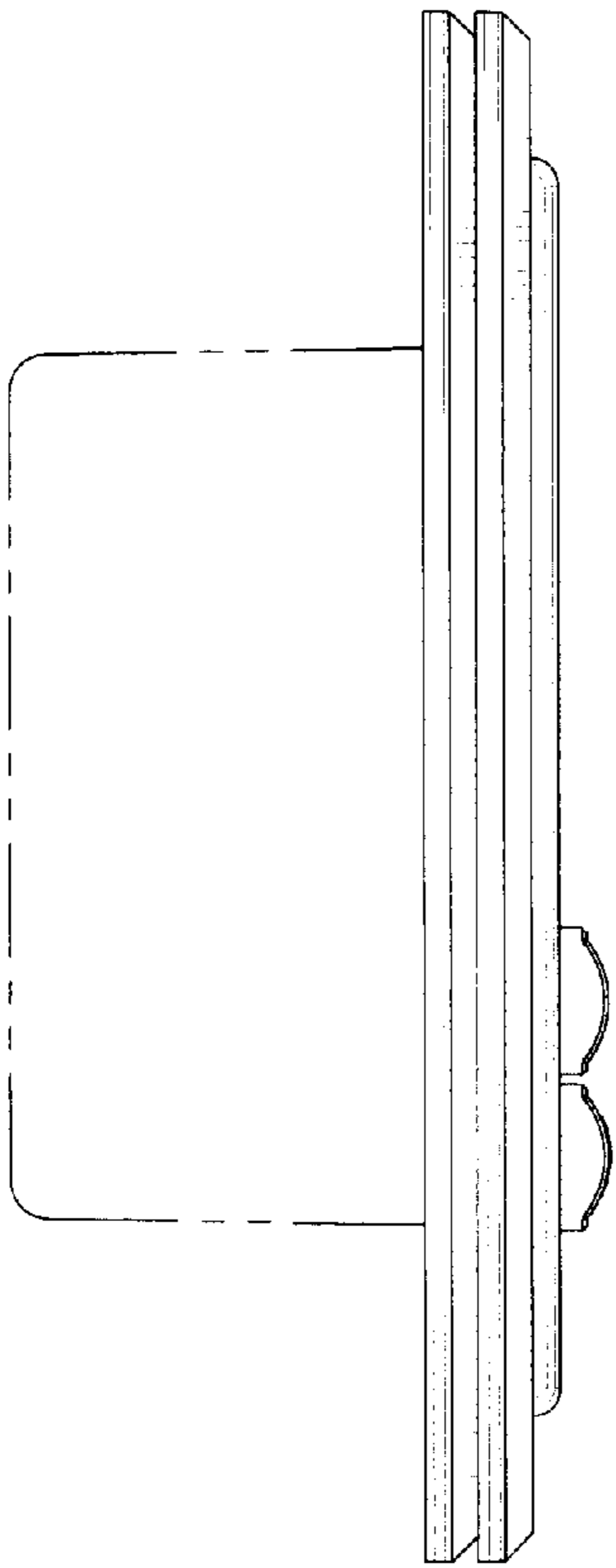


FIG. 3

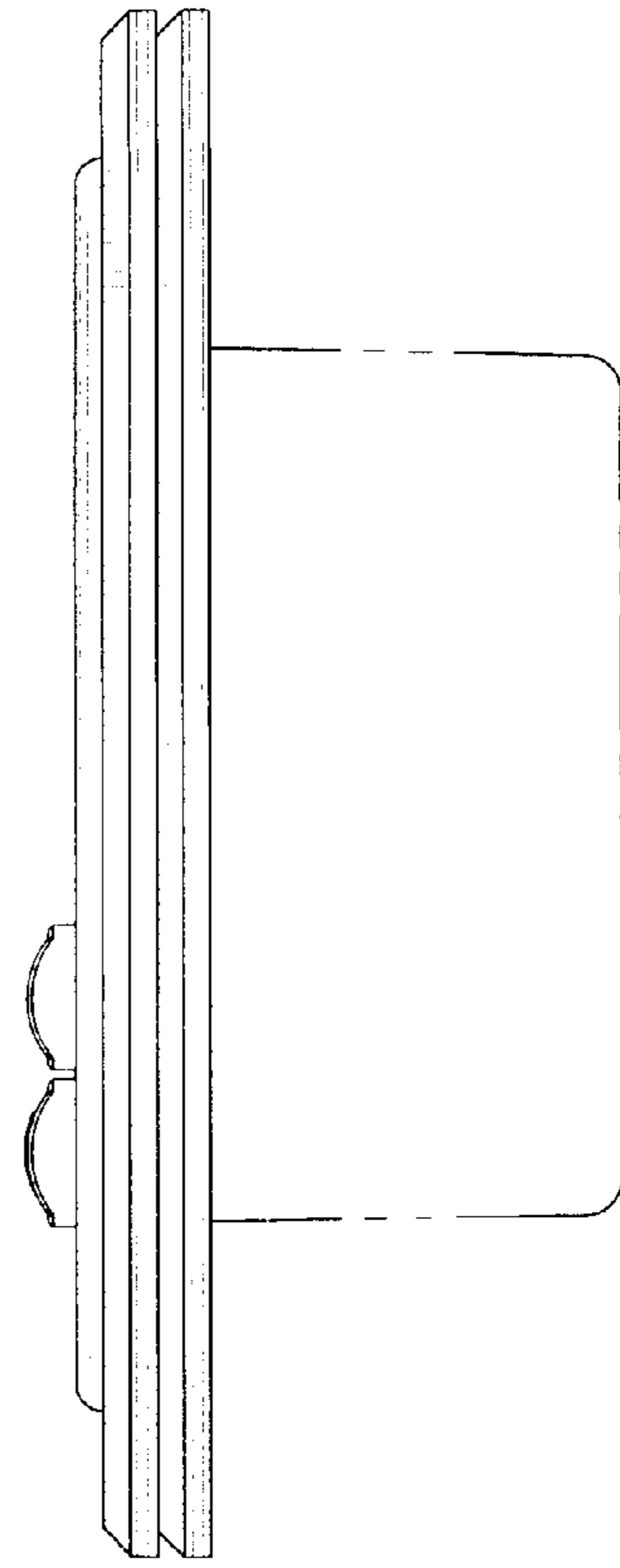


FIG. 4

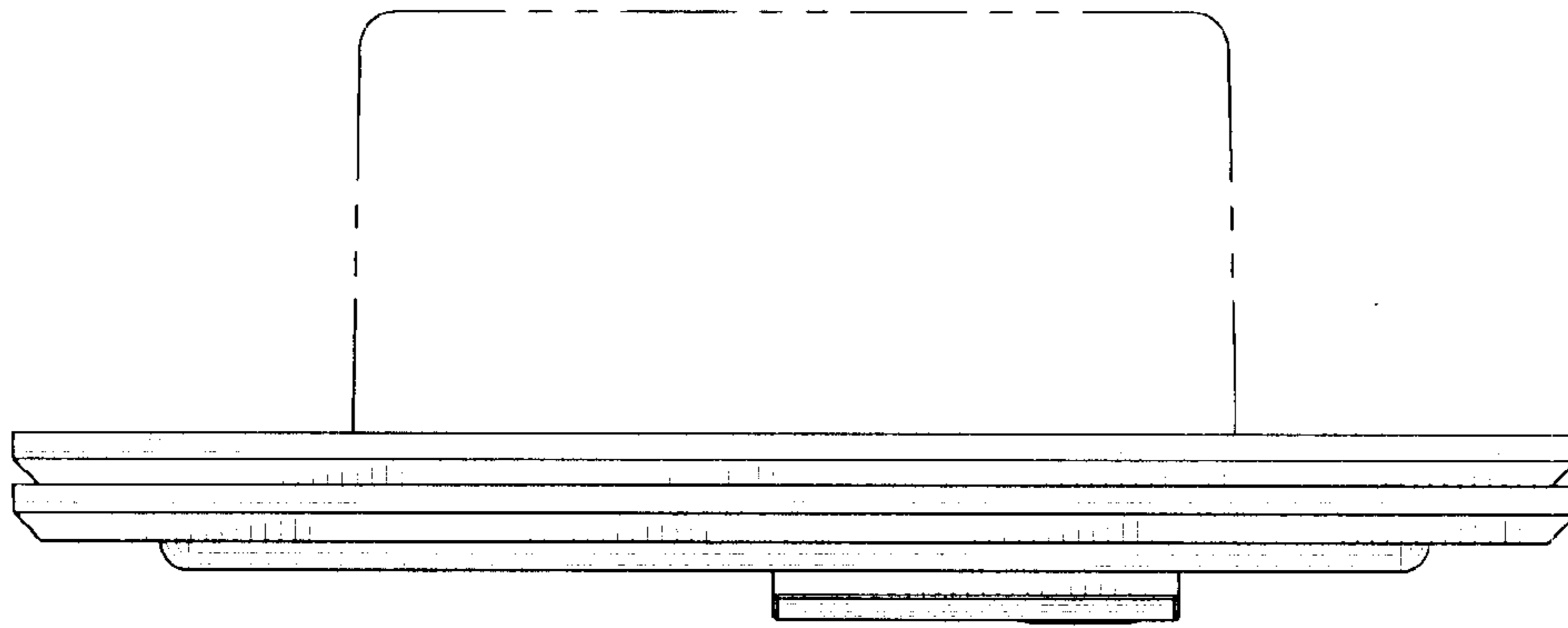


FIG. 5

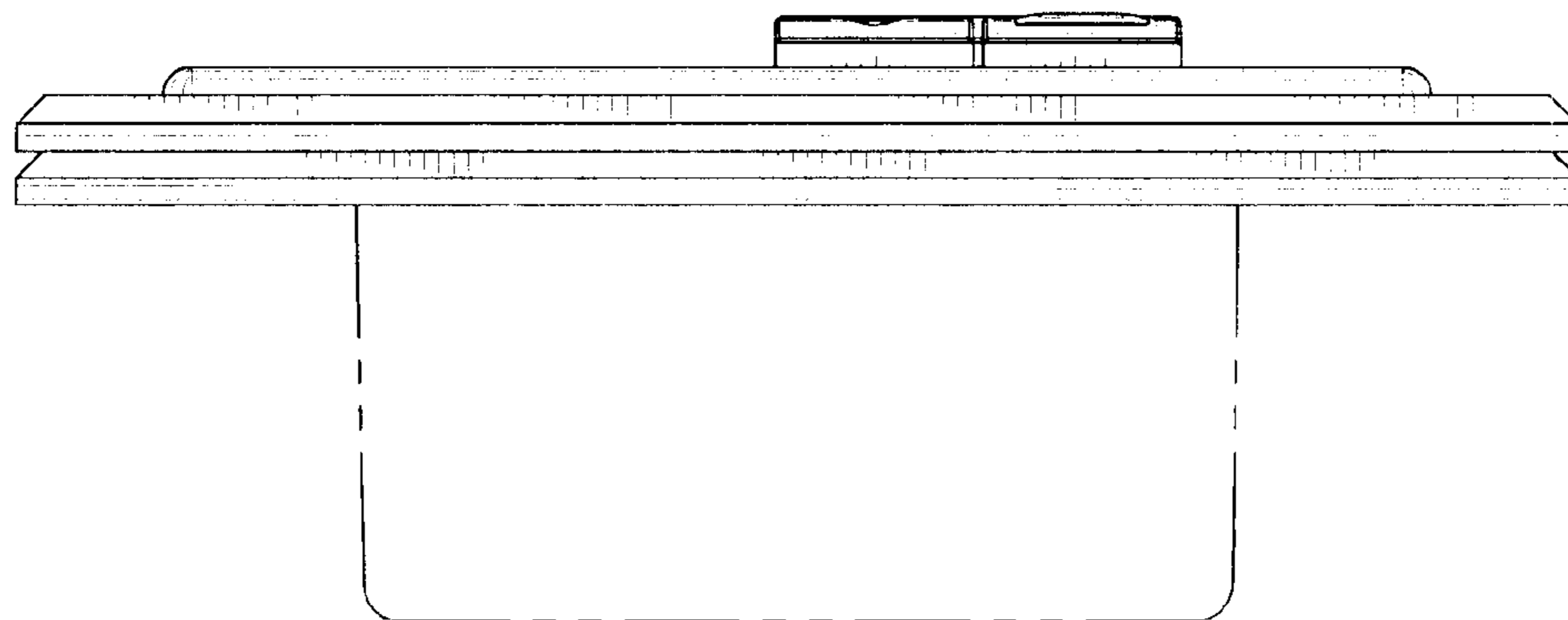


FIG. 6