

US00D542221S

(12) **United States Design Patent**  
**Hriscu et al.**

(10) **Patent No.:** **US D542,221 S**

(45) **Date of Patent:** **\*\* May 8, 2007**

(54) **PORTABLE BACKUP POWER SUPPLY**

(75) Inventors: **Marius George Hriscu**, North York (CA); **Peter Tai Kwong Cheung**, North York (CA); **Grant Iverson Dunbar**, West Vancouver (CA); **Alexander Jeffrey Feldman**, Vancouver (CA); **Lawrence Neill**, Vancouver (CA); **Robert Bruce Prior**, Burnaby (CA); **Robbie Gordon Roberts**, Port Moody (CA); **David deRoy Vanzuydewyn**, Surrey (CA)

(73) Assignee: **Xantrex International**, St. Michaels (BB)

(\*\*) Term: **14 Years**

(21) Appl. No.: **29/243,532**

(22) Filed: **Nov. 28, 2005**

(30) **Foreign Application Priority Data**

Oct. 21, 2005 (CA) ..... 113153

(51) **LOC (8) Cl.** ..... **13-02**

(52) **U.S. Cl.** ..... **D13/110**

(58) **Field of Classification Search** ..... D13/110,  
D13/101, 123; 307/64, 85, 150, 151; 363/15,  
363/95, 146

See application file for complete search history.

(56) **References Cited**

**U.S. PATENT DOCUMENTS**

1,874,828 A \* 8/1932 Suss ..... 337/197

4,620,110 A \* 10/1986 Cooney ..... 307/48  
5,019,767 A \* 5/1991 Shirai et al. .... 320/112  
D330,698 S \* 11/1992 Thompson ..... D13/123  
D338,653 S \* 8/1993 Morgan et al. .... D13/110  
D457,858 S \* 5/2002 Lee, II ..... D13/110  
2002/0085403 A1 \* 7/2002 Cho ..... 363/146  
2002/0158603 A1 \* 10/2002 Chang ..... 320/107

\* cited by examiner

*Primary Examiner*—Prabhakar Deshmukh  
*Assistant Examiner*—Derrick Holland

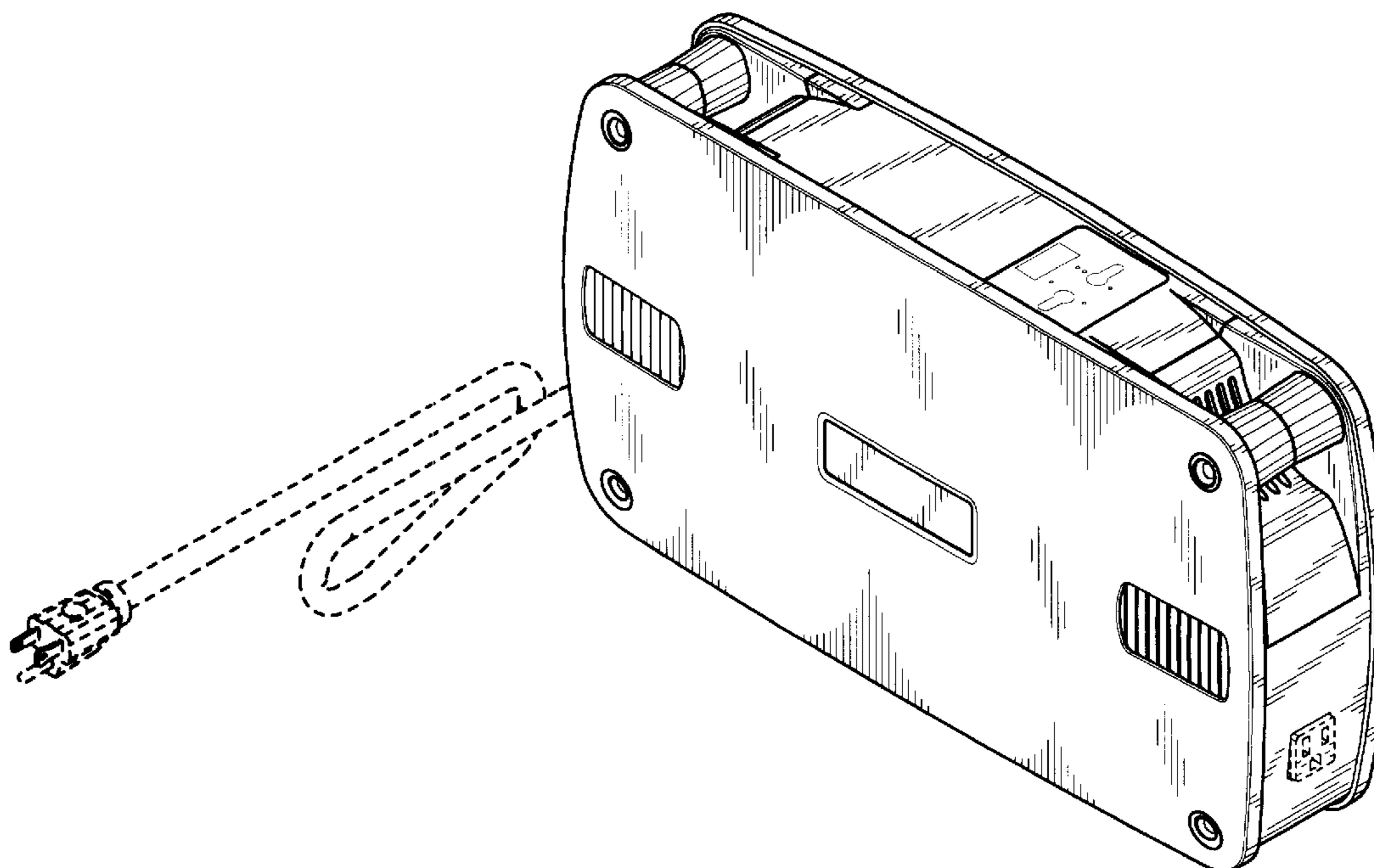
(57) **CLAIM**

The ornamental design for a portable backup power supply, as shown and described.

**DESCRIPTION**

FIG. 1 is a perspective view of an portable backup power supply according to our new design;  
FIG. 2 is a front elevational view of the portable backup power supply of FIG. 1;  
FIG. 3 is a top plan view of the portable backup power supply of FIG. 1;  
FIG. 4 is a bottom view of the portable backup power supply of FIG. 1;  
FIG. 5 is a rear elevational view of the portable backup power supply of FIG. 1;  
FIG. 6 is a left hand side elevational view of the portable backup power supply of FIG. 1; and,  
FIG. 7 is a right hand side elevational view of the portable backup power supply of FIG. 1.  
The broken lines which define the bounds of the claimed design form no part thereof.

**1 Claim, 4 Drawing Sheets**



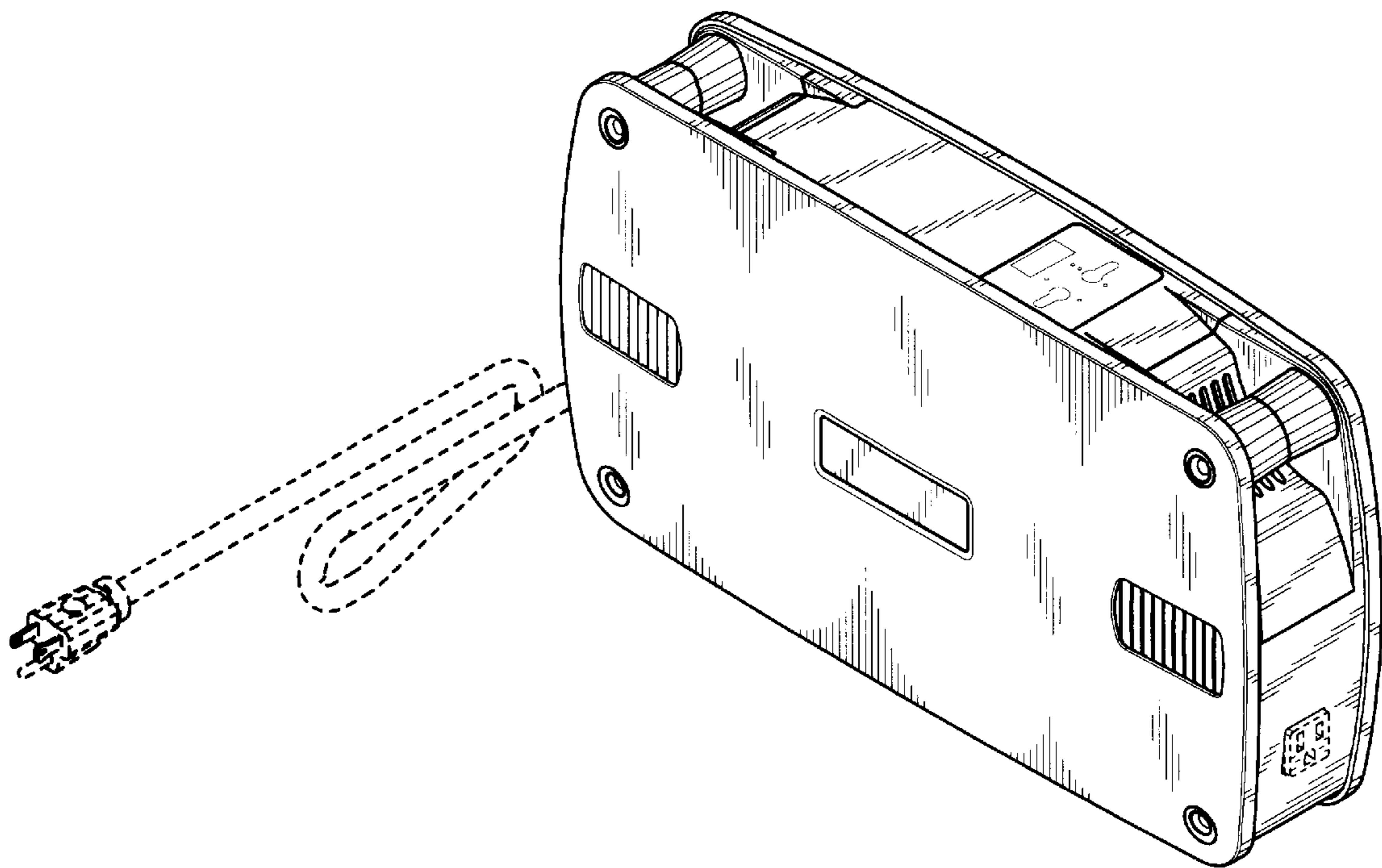


FIG. 1

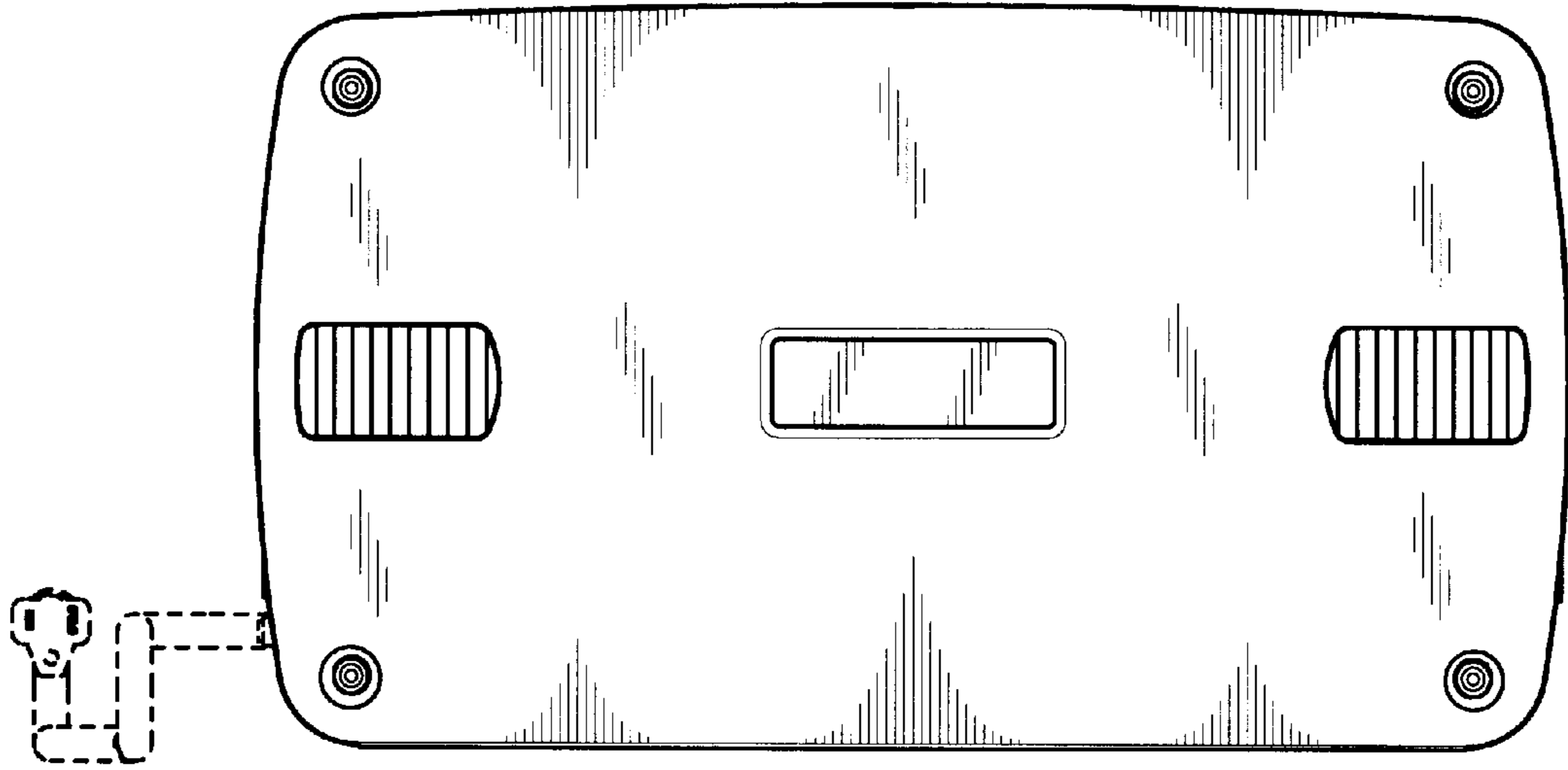


FIG. 2

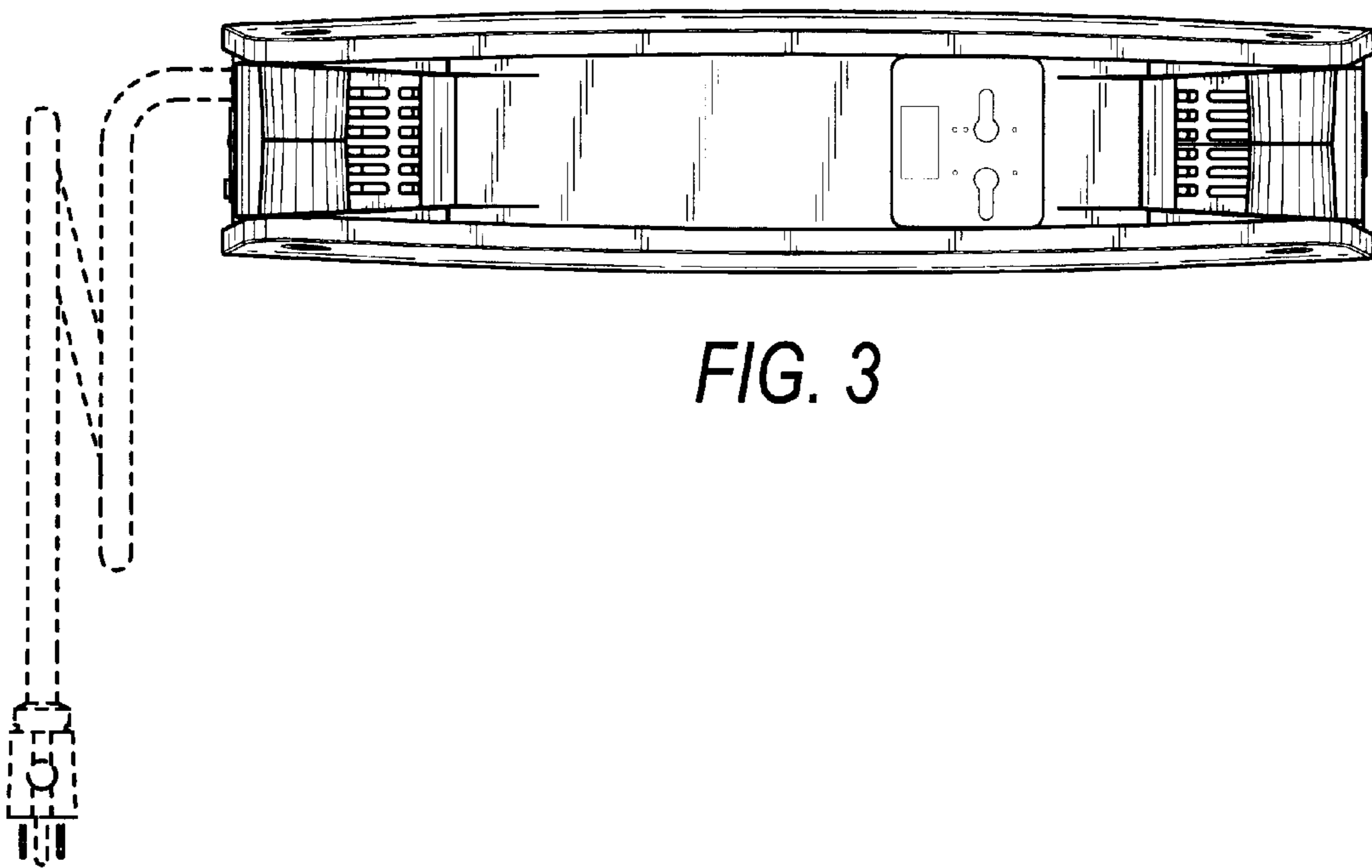


FIG. 3

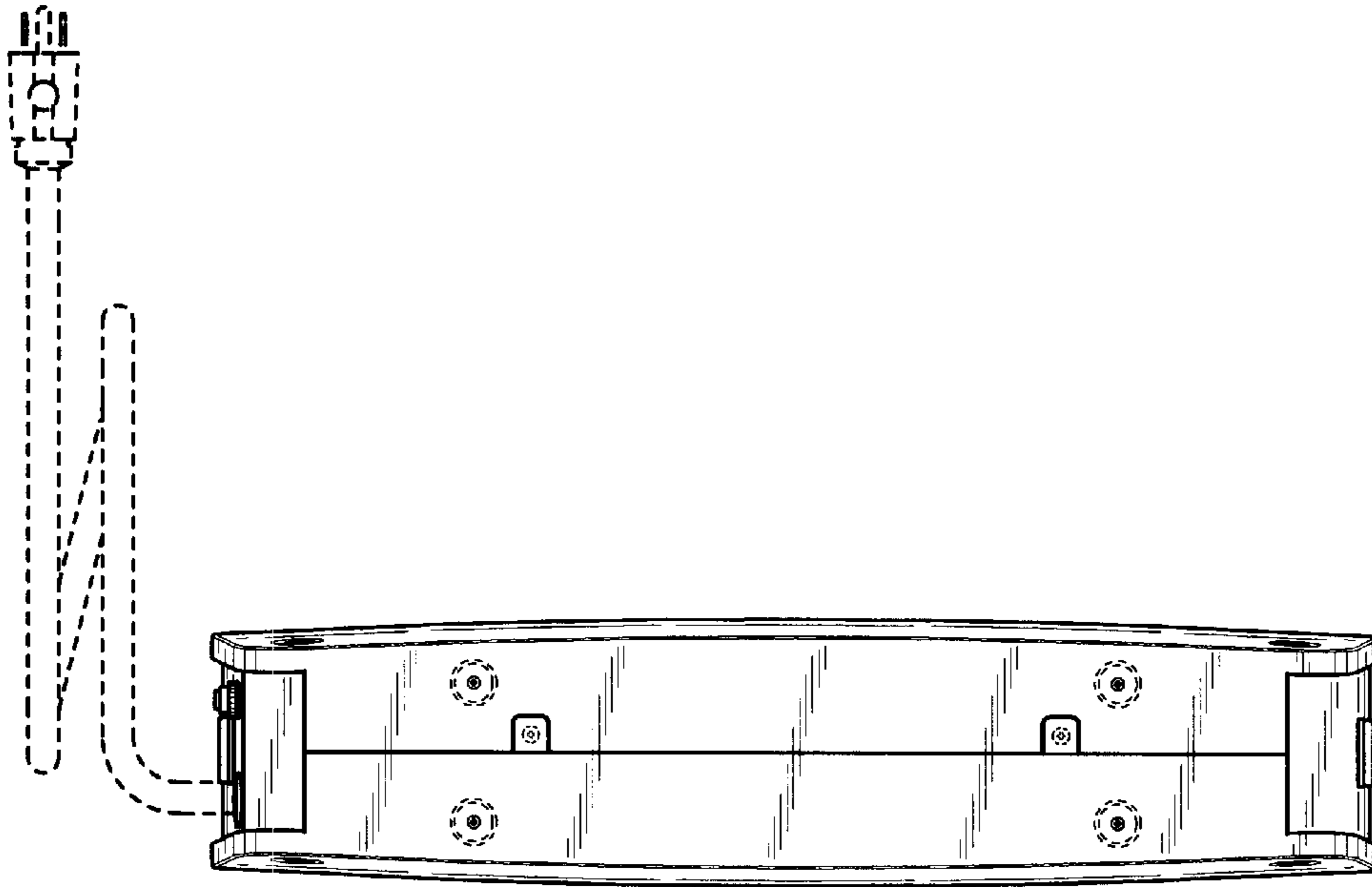


FIG. 4

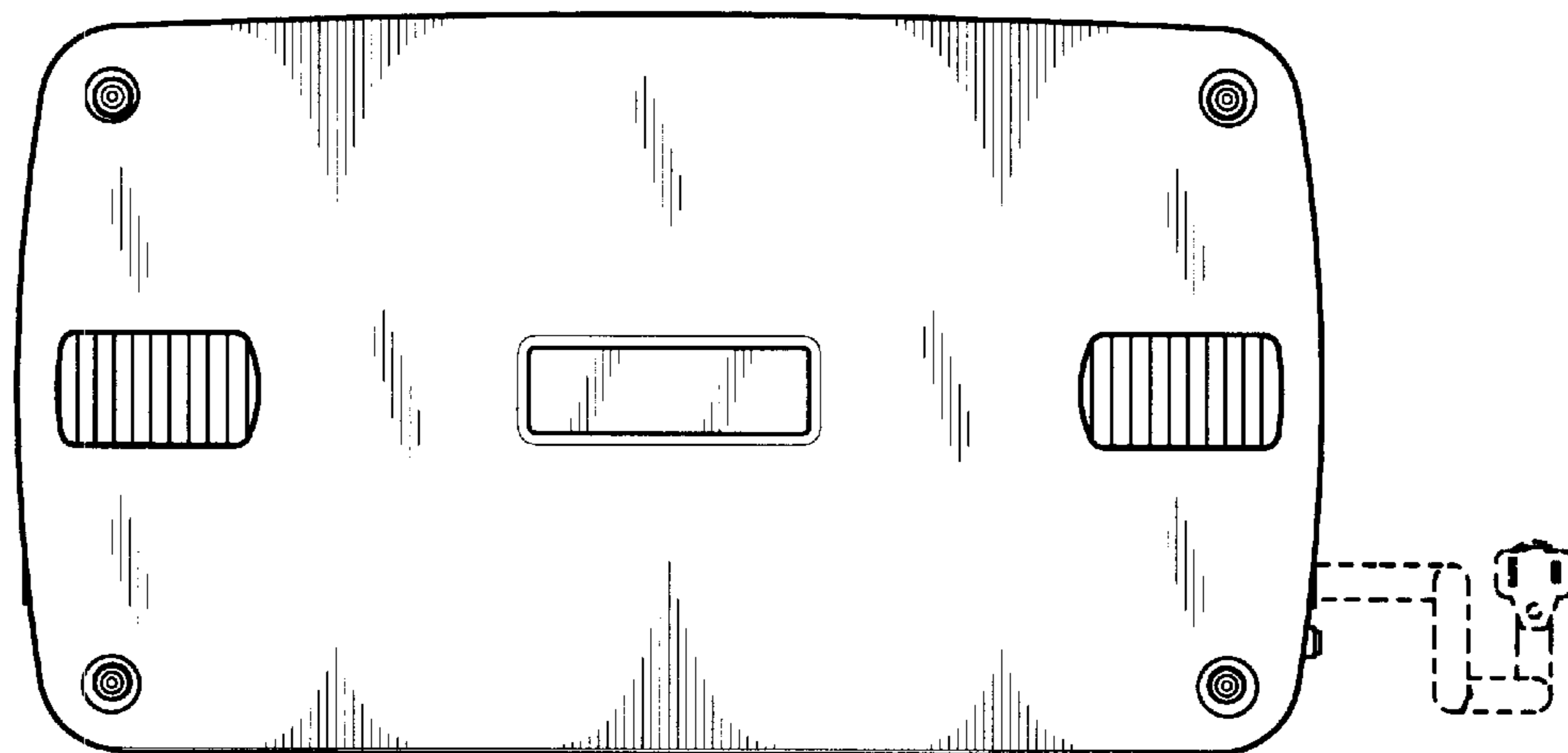


FIG. 5

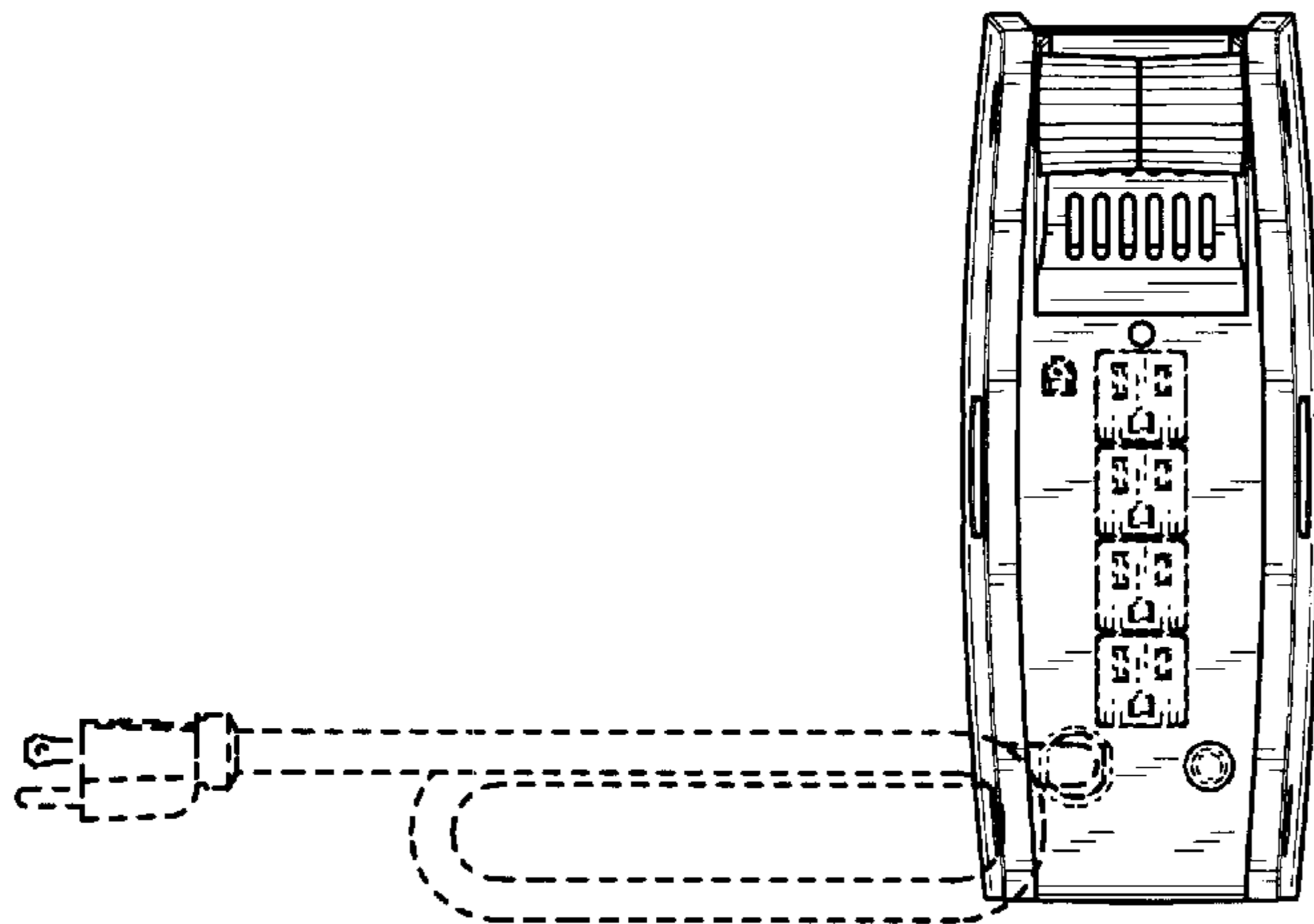


FIG. 6

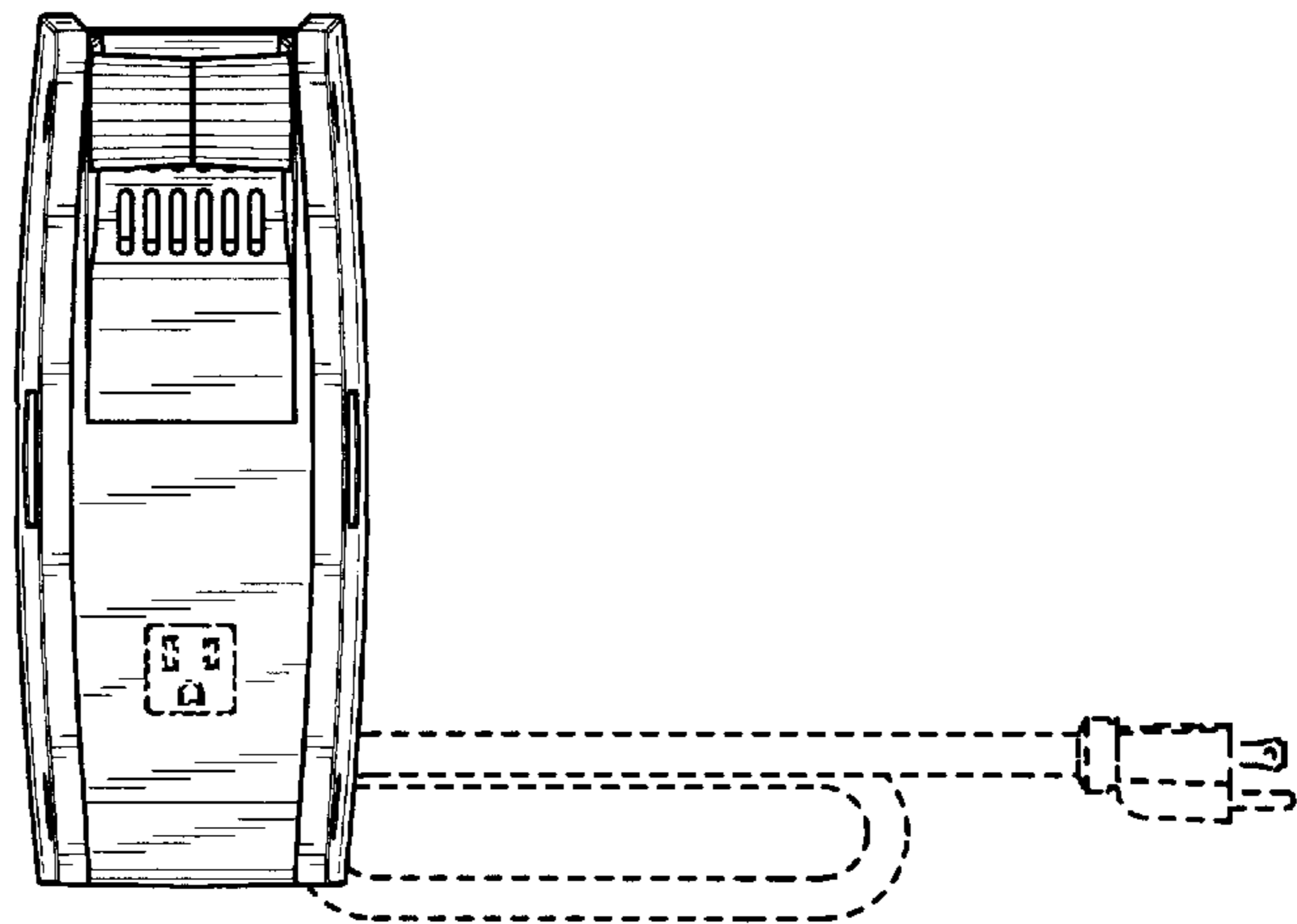


FIG. 7