



US00D542212S

(12) **United States Design Patent**  
**Simpson**

(10) **Patent No.:** **US D542,212 S**

(45) **Date of Patent:** **\*\* May 8, 2007**

(54) **VEHICLE WHEEL SPINNER**

(75) Inventor: **David T. Simpson**, Covington, GA (US)

(73) Assignee: **Clarence Hall**, Conyers, GA (US)

(\*\*) Term: **14 Years**

(21) Appl. No.: **29/202,687**

(22) Filed: **Apr. 1, 2004**

(51) **LOC (8) Cl.** ..... **12-16**

(52) **U.S. Cl.** ..... **D12/213**

(58) **Field of Classification Search** ..... D12/207-213;  
301/37.101, 64.101, 65; 42/58, 59, 62  
See application file for complete search history.

(56) **References Cited**

**U.S. PATENT DOCUMENTS**

1,004,023	A	*	9/1911	Heibeck	.....	301/64.101
2,944,358	A	*	7/1960	Weimer	.....	42/58
3,683,536	A	*	8/1972	Sefried, II	.....	42/62
3,744,171	A	*	7/1973	Fecke	.....	42/89

D501,439 S \* 2/2005 Chiu ..... D12/209  
2006/0101698 A1 \* 5/2006 Lin ..... 42/89

\* cited by examiner

*Primary Examiner*—Caron D. Veynar

*Assistant Examiner*—George D. Kirschbaum, Jr.

(74) *Attorney, Agent, or Firm*—Michael J. Bootcheck, LLC; Michael J. Bootcheck

(57) **CLAIM**

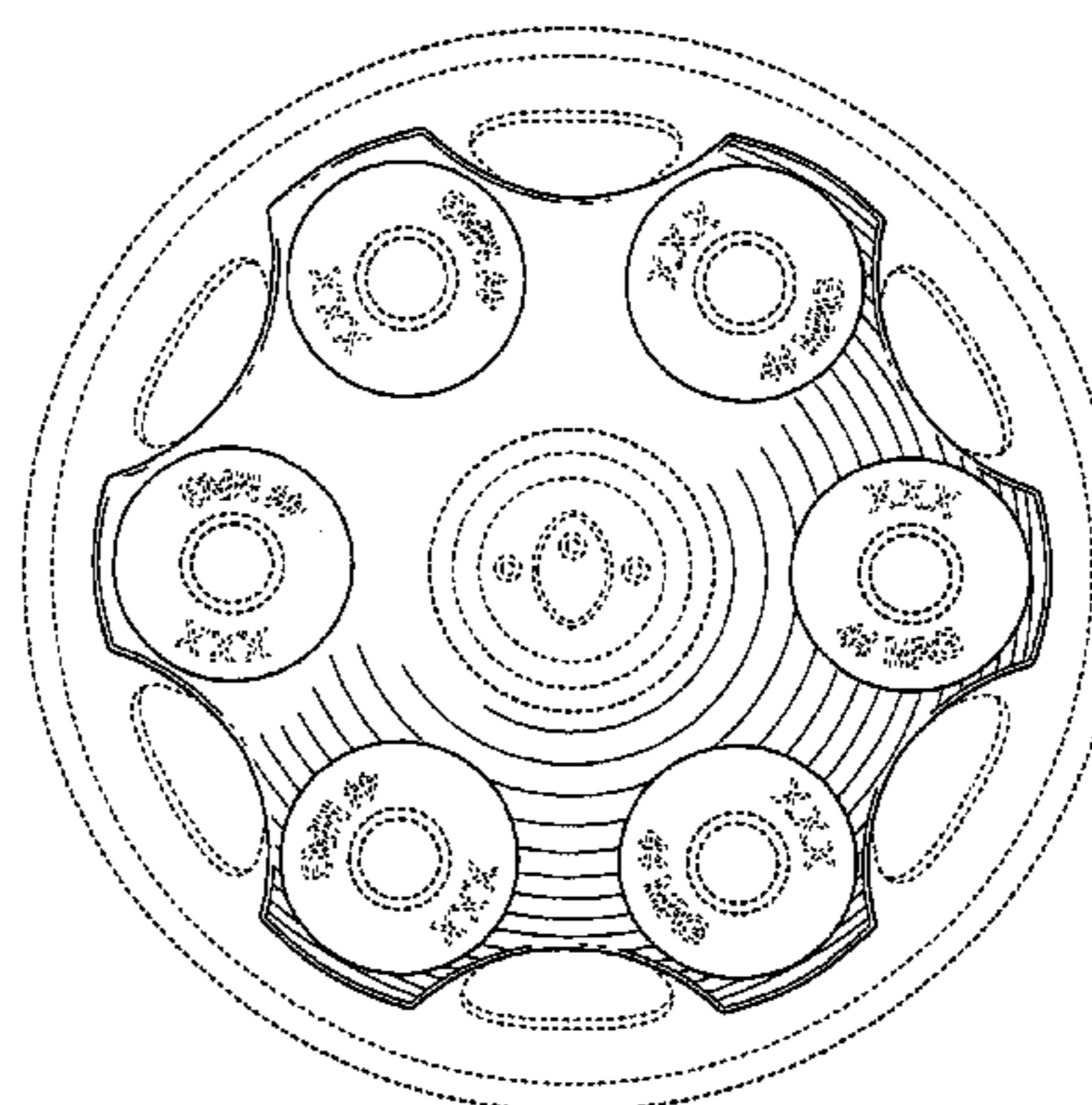
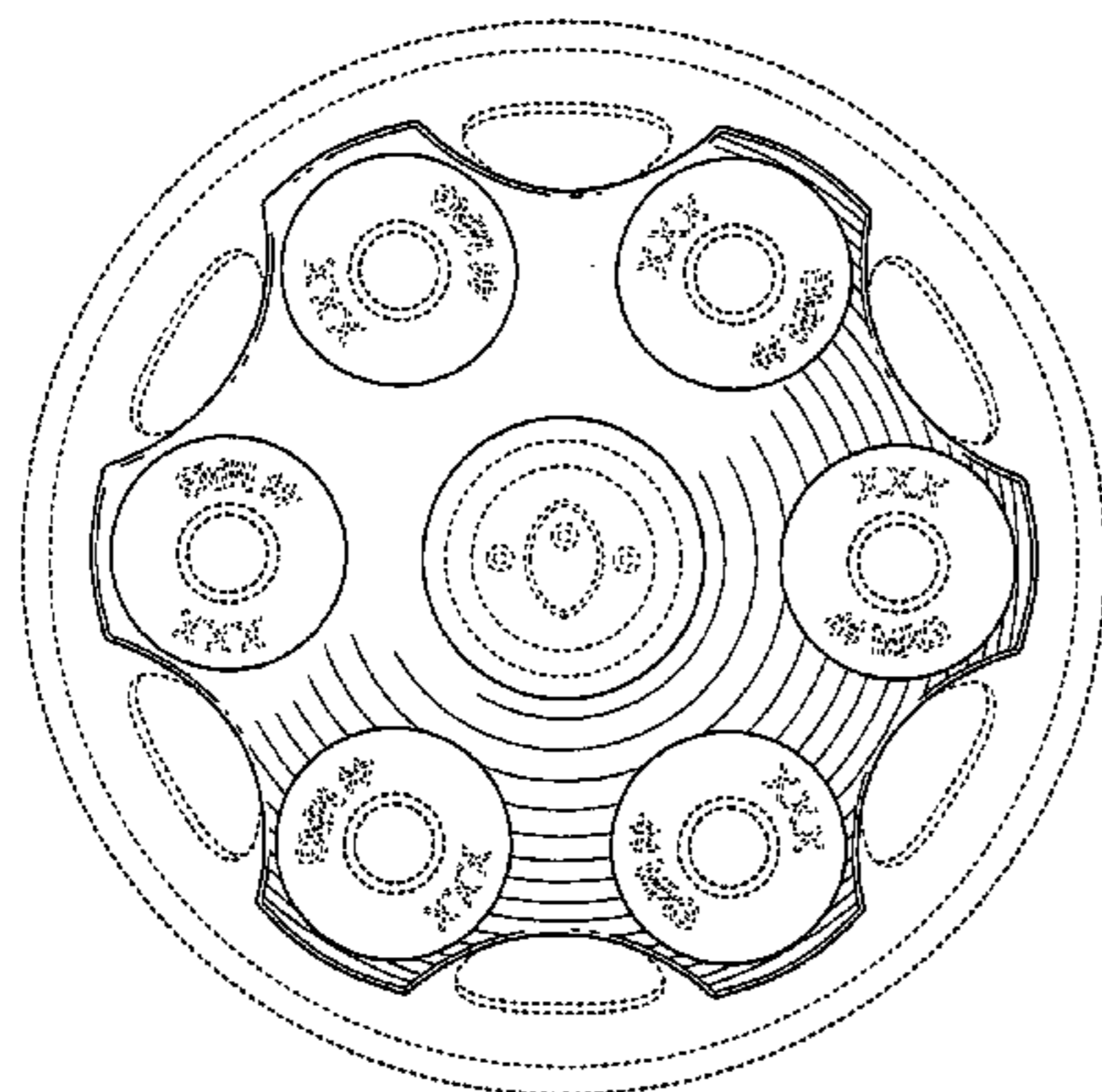
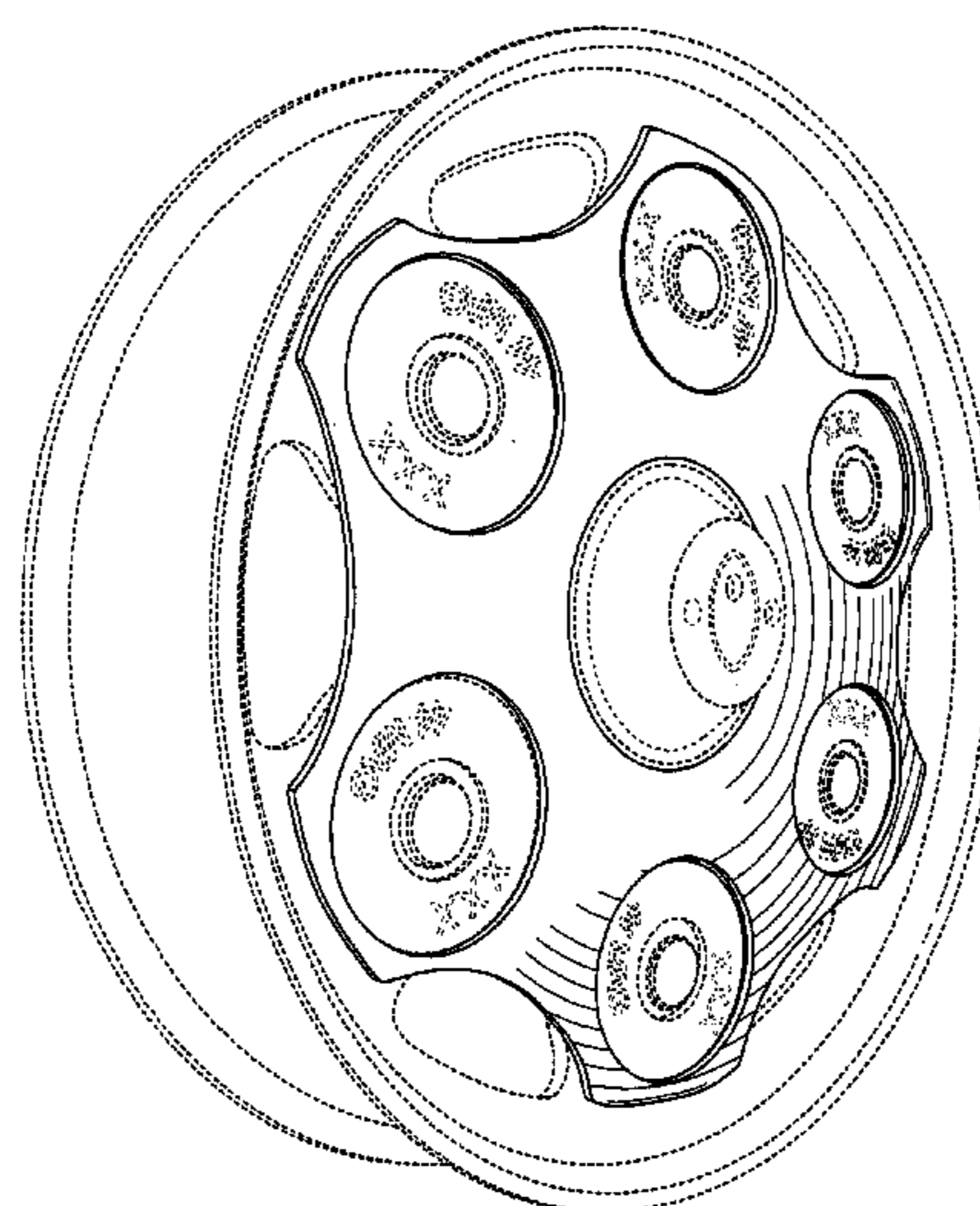
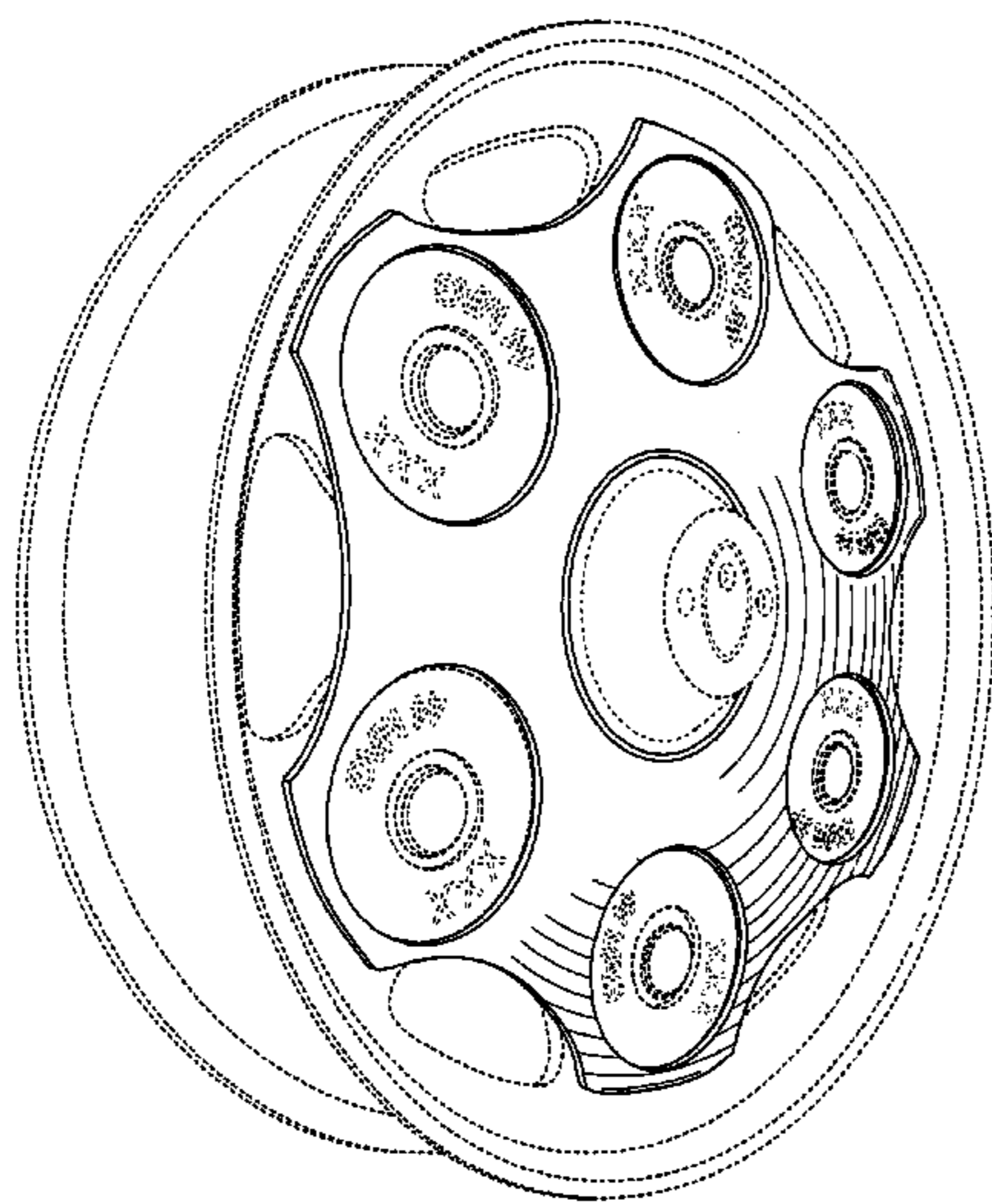
The ornamental design for a vehicle wheel spinner, as shown and described.

**DESCRIPTION**

FIG. 1 is a front perspective view of my new design; FIG. 2 is a front view thereof; FIG. 3 is a front perspective view of a second embodiment of my new design; and, FIG. 4 is a front view of the second embodiment shown in FIG. 3.

The broken lines shown herein are for illustrative purposes only and form no part of the claimed design.

**1 Claim, 4 Drawing Sheets**



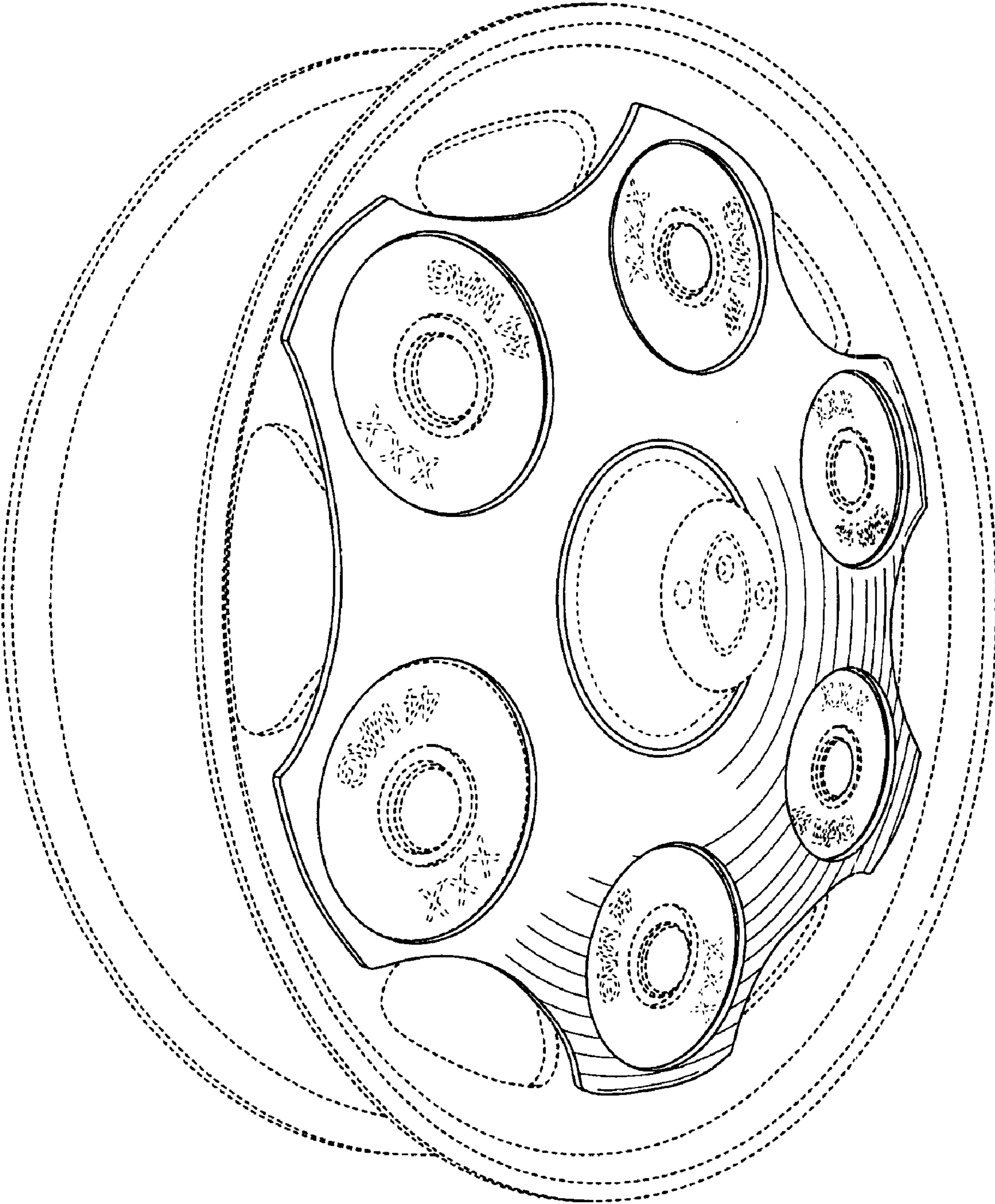


FIG. 1

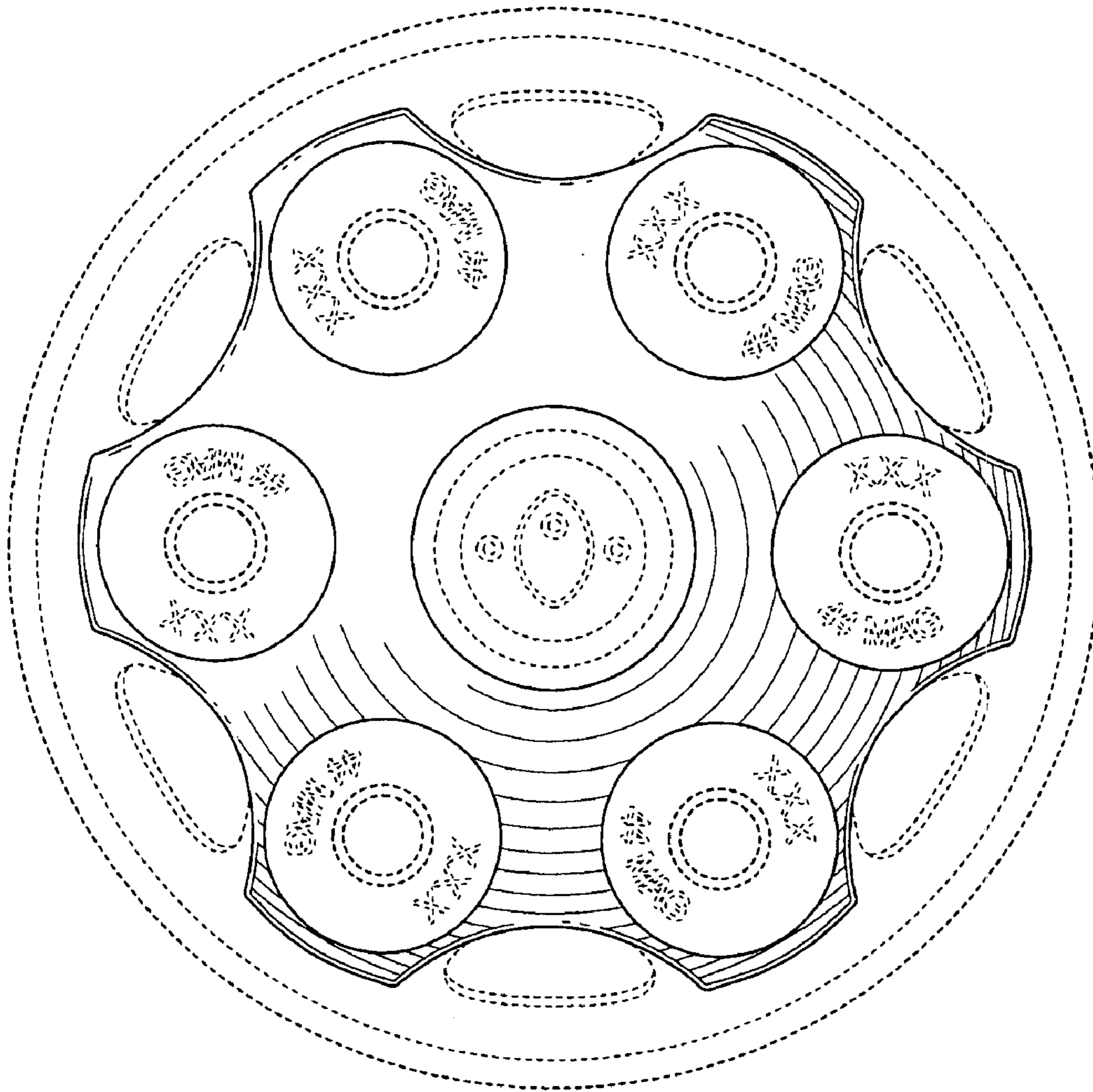


FIG. 2

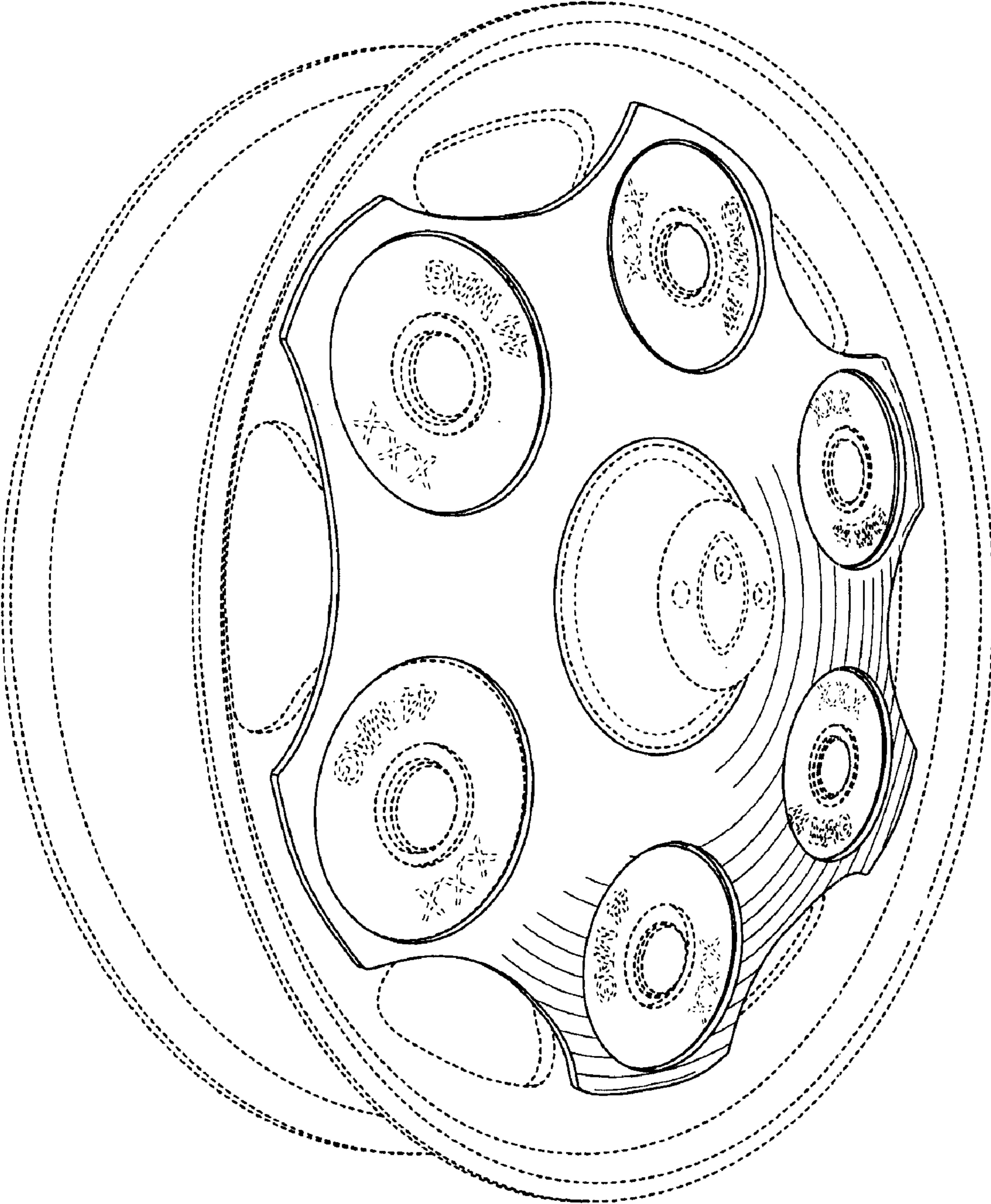


FIG. 3

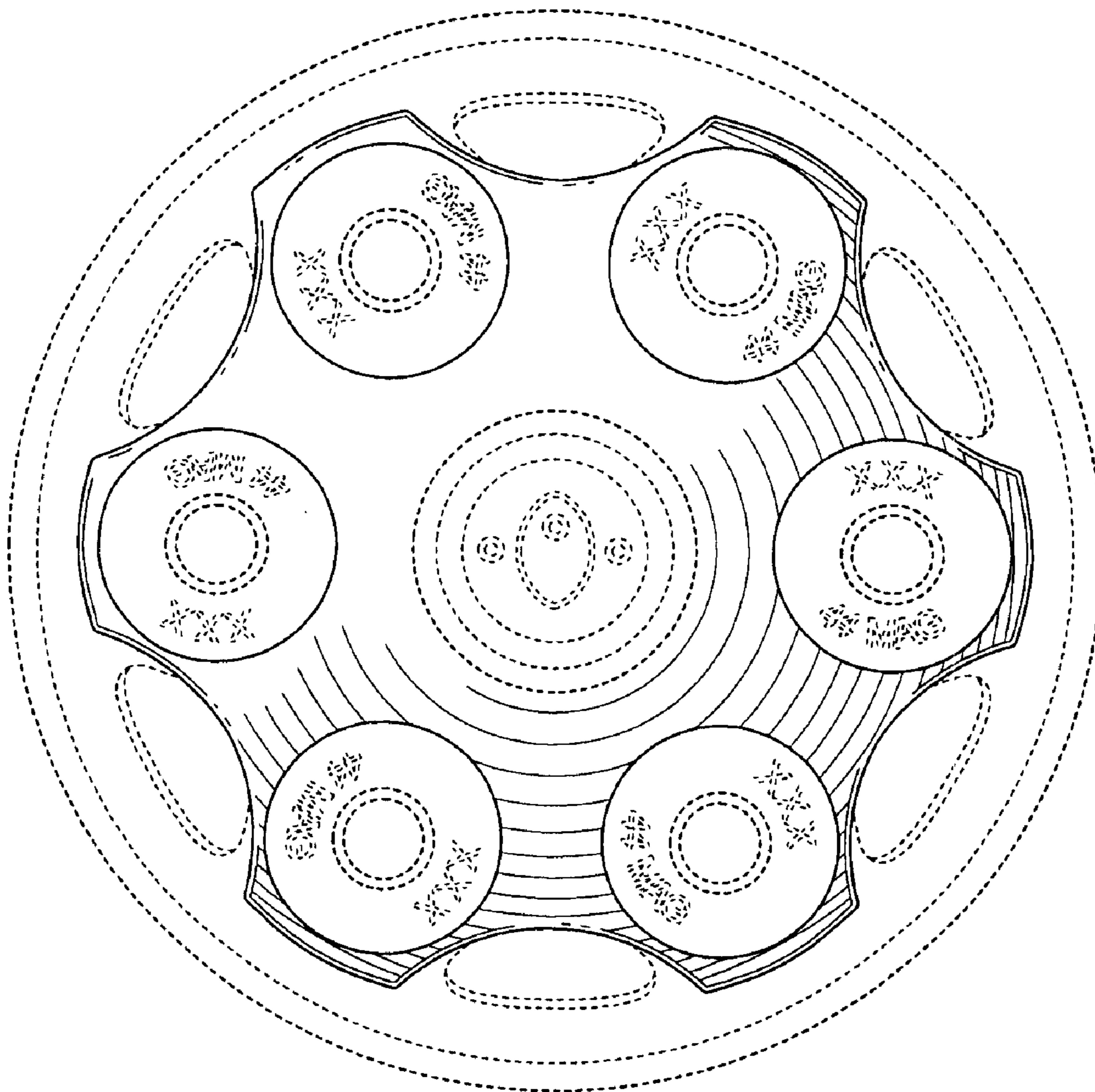


FIG. 4