

US00D542211S

(12) **United States Design Patent**
Hieke

(10) **Patent No.:** **US D542,211 S**

(45) **Date of Patent:** **** May 8, 2007**

(54) **FRONT FACE OF A VEHICLE WHEEL**

(75) Inventor: **Claus Hieke**, Sindelfingen (DE)

(73) Assignee: **DaimlerChrysler AG**, Stuttgart (DE)

(**) Term: **14 Years**

(21) Appl. No.: **29/268,809**

(22) Filed: **Nov. 14, 2006**

(30) **Foreign Application Priority Data**

May 15, 2006 (EM) 000529185-0010
May 15, 2006 (EM) 000529185-0009

(51) **LOC (8) Cl.** **12-16**

(52) **U.S. Cl.** **D12/211**

(58) **Field of Classification Search** D12/204-213;
301/37.101, 64.101, 65

See application file for complete search history.

(56) **References Cited**

U.S. PATENT DOCUMENTS

D267,564 S * 1/1983 Wright D12/211
D361,547 S * 8/1995 Weld D12/211
D410,618 S * 6/1999 Hussaini et al. D12/211
D428,846 S * 8/2000 Yoshida et al. D12/211
D451,876 S * 12/2001 Kohl D12/211

D459,689 S * 7/2002 Hieke D12/211
D466,853 S * 12/2002 Maifrini D12/211
D481,663 S * 11/2003 Maifrini D12/211
D486,770 S * 2/2004 Pollmann D12/209
D504,098 S * 4/2005 Gallert D12/209
D515,003 S * 2/2006 Echazabal D12/211
D515,491 S * 2/2006 Elmitt D12/209
D522,949 S * 6/2006 Elmitt D12/211

* cited by examiner

Primary Examiner—Stacia Cadmus

(74) *Attorney, Agent, or Firm*—Crowell & Moring LLP

(57) **CLAIM**

The ornamental design for a front face of a vehicle wheel, as shown and described.

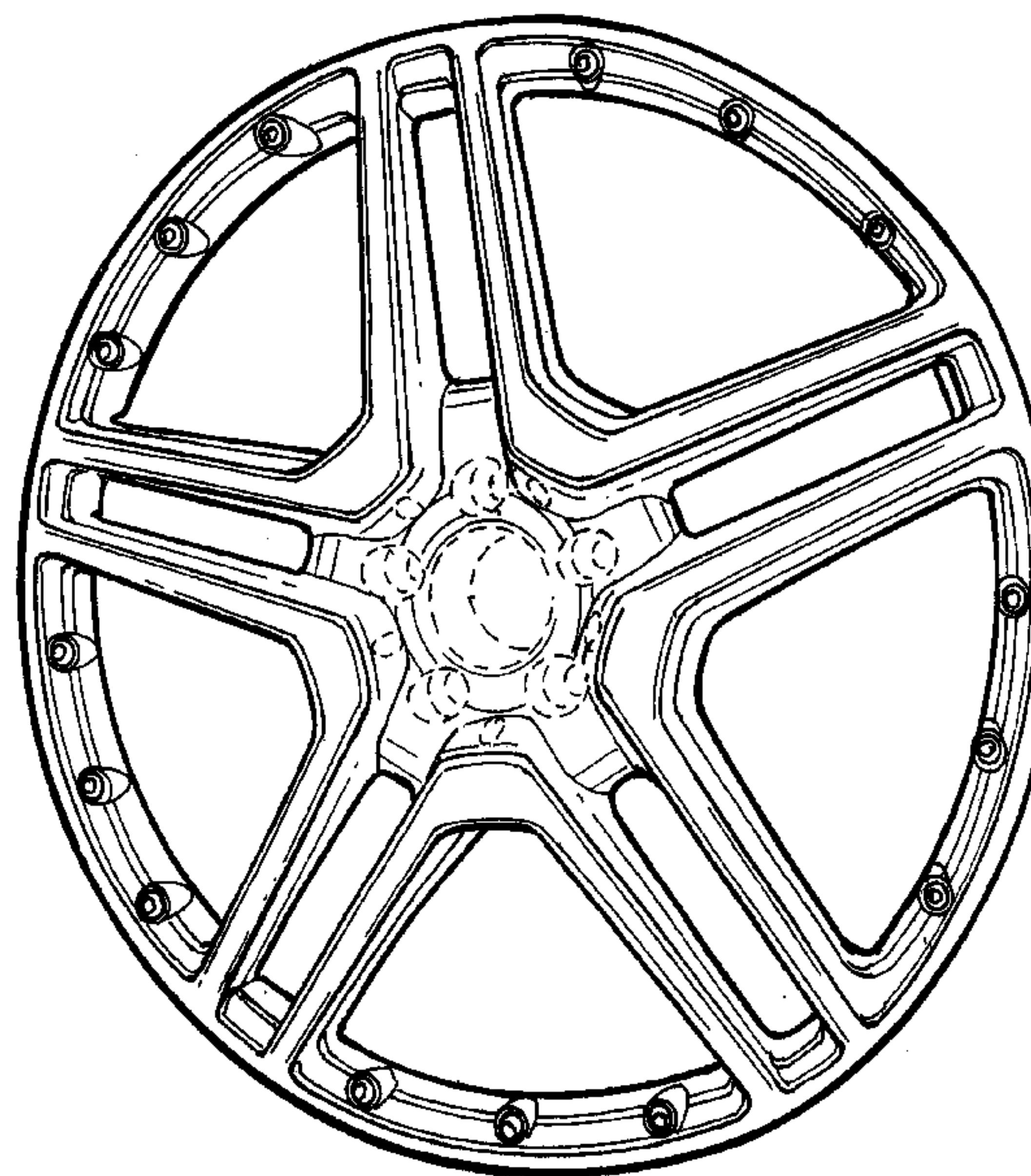
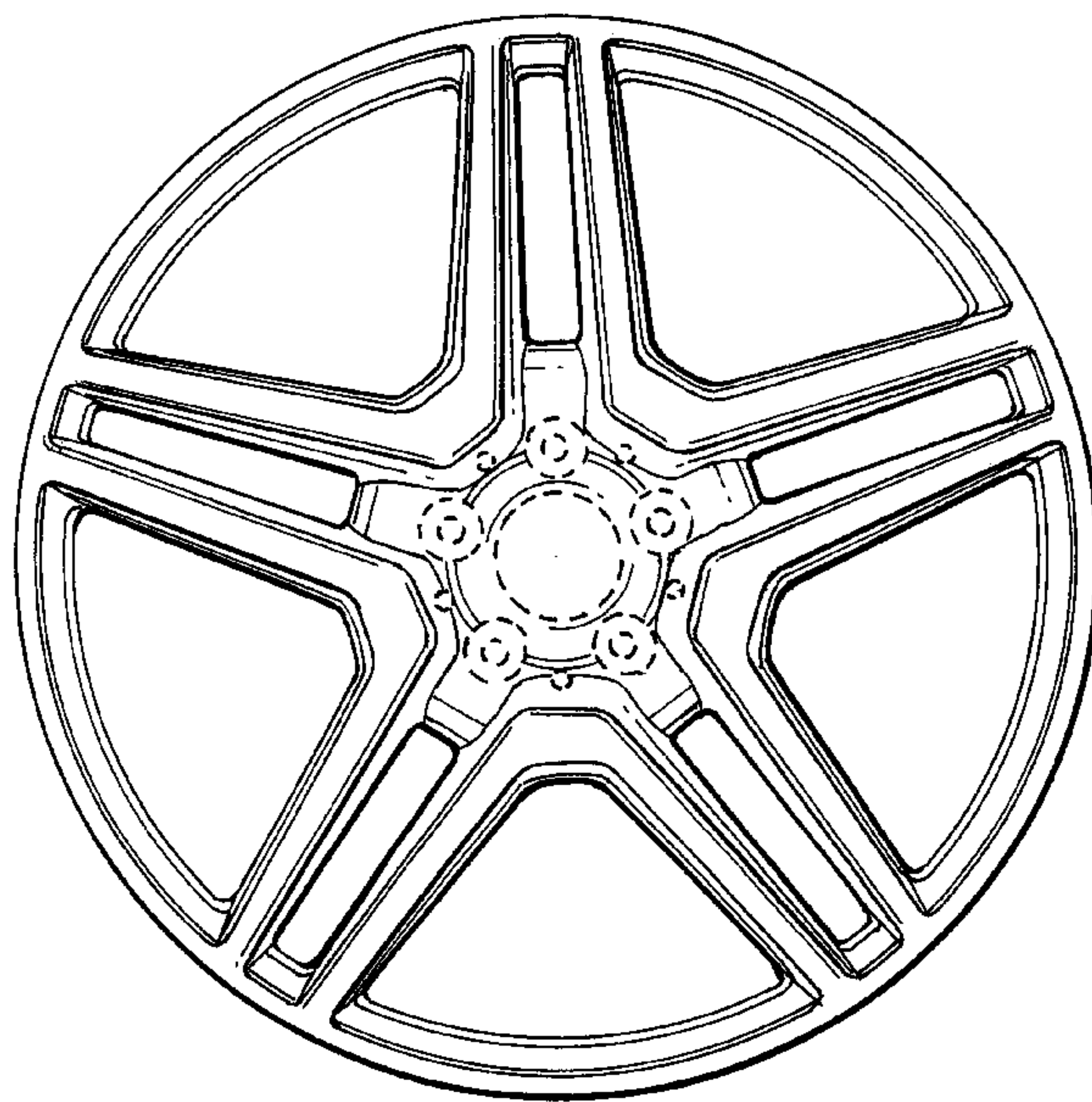
DESCRIPTION

FIG. 1 is a front view of a first embodiment of a front face of a vehicle wheel according to my novel design; and FIG. 2 is a perspective view thereof.

FIG. 3 is a front view of a second embodiment of the front face of a vehicle wheel according to my novel design; and, FIG. 4 is a perspective view thereof.

The broken lines are for illustrative purposes only and form no part of the claimed design.

1 Claim, 2 Drawing Sheets



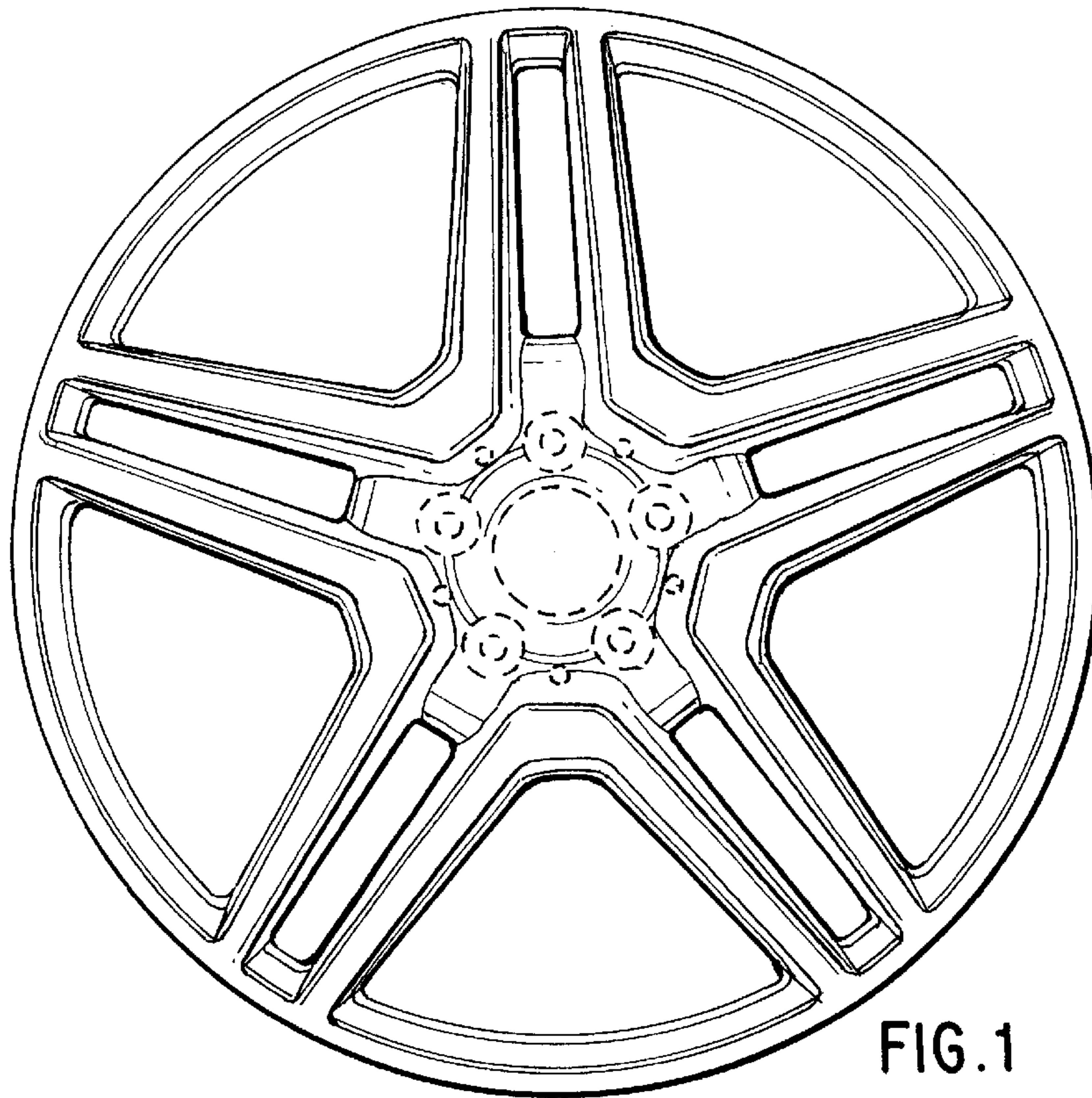


FIG. 1

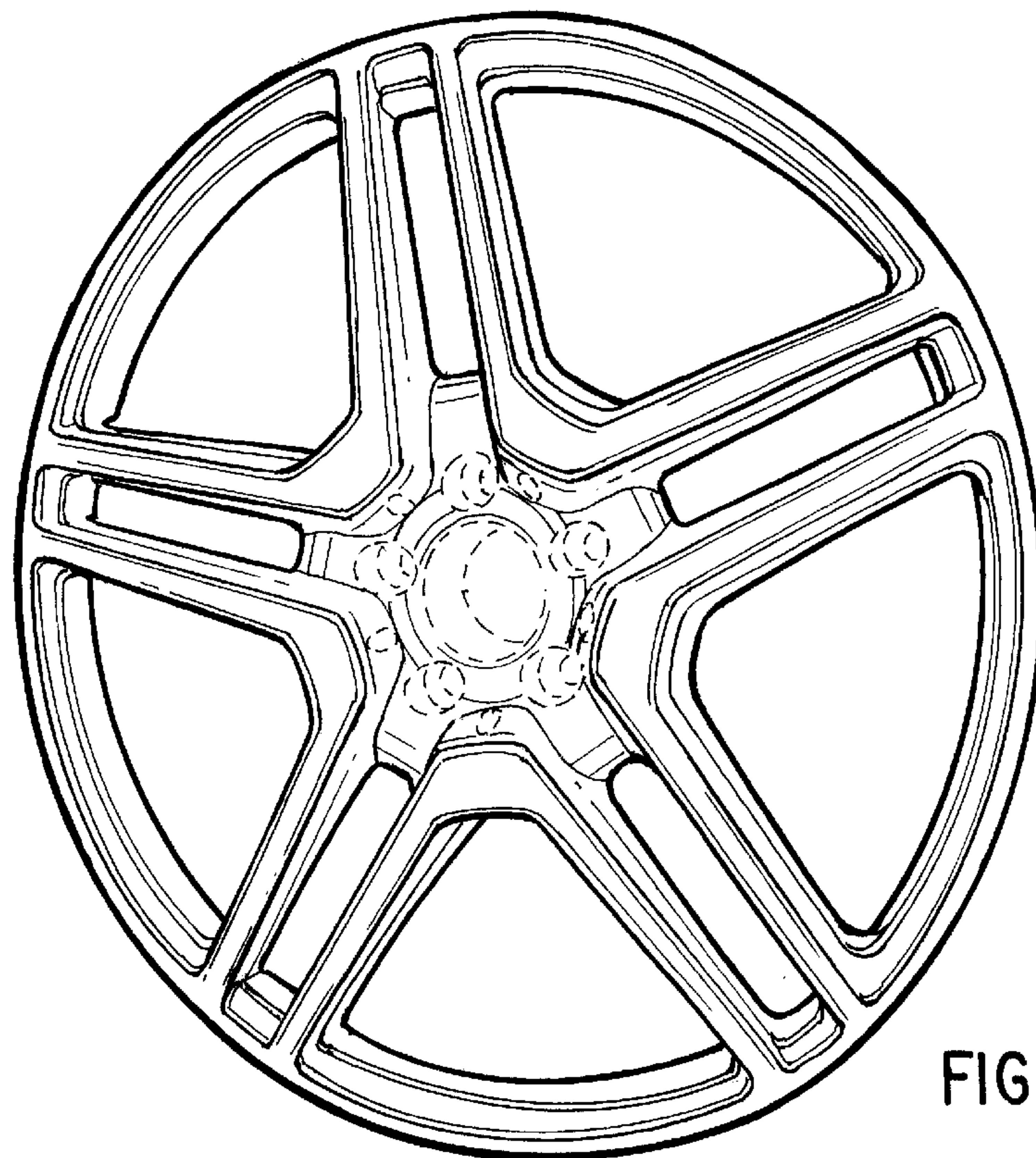


FIG. 2

