

US00D542209S

(12) **United States Design Patent**
Pfeiffer

(10) **Patent No.:** **US D542,209 S**

(45) **Date of Patent:** **** May 8, 2007**

(54) **FRONT FACE OF A VEHICLE WHEEL**

(75) Inventor: **Peter Pfeiffer**, Boeblingen (DE)

(73) Assignee: **DaimlerChrysler AG**, Stuttgart (DE)

(**) Term: **14 Years**

(21) Appl. No.: **29/267,525**

(22) Filed: **Oct. 17, 2006**

(30) **Foreign Application Priority Data**

Apr. 18, 2006 (EM) 513858-0004

(51) **LOC (8) Cl.** **12-16**

(52) **U.S. Cl.** **D12/211**

(58) **Field of Classification Search** D12/204-213;
301/37.101, 64.101, 65

See application file for complete search history.

(56) **References Cited**

U.S. PATENT DOCUMENTS

D460,942 S * 7/2002 Lee D12/211
D463,769 S * 10/2002 Chung D12/211
D470,094 S * 2/2003 van Hooydonk D12/211

D486,111 S * 2/2004 Weidhase D12/211
D506,172 S * 6/2005 Pfeiffer D12/211
D516,988 S * 3/2006 Laengerer D12/211
D525,932 S * 8/2006 Hettler D12/211
D527,335 S * 8/2006 Kim D12/211
D528,495 S * 9/2006 Truebsbach D12/211

* cited by examiner

Primary Examiner—Stacia Cadmus

(74) *Attorney, Agent, or Firm*—Crowell & Moring LLP

(57) **CLAIM**

The ornamental design for a front face of a vehicle wheel, as shown and described.

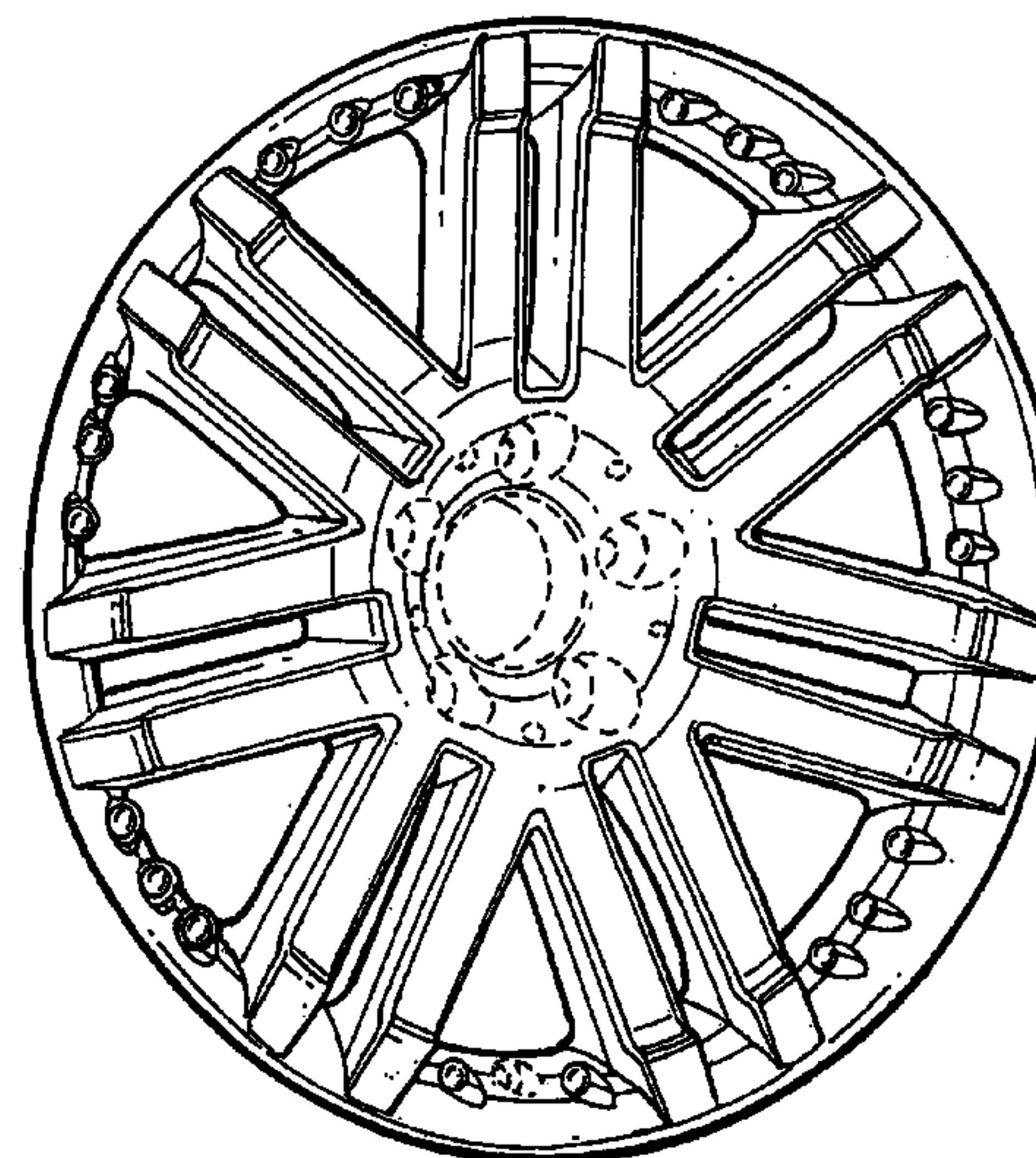
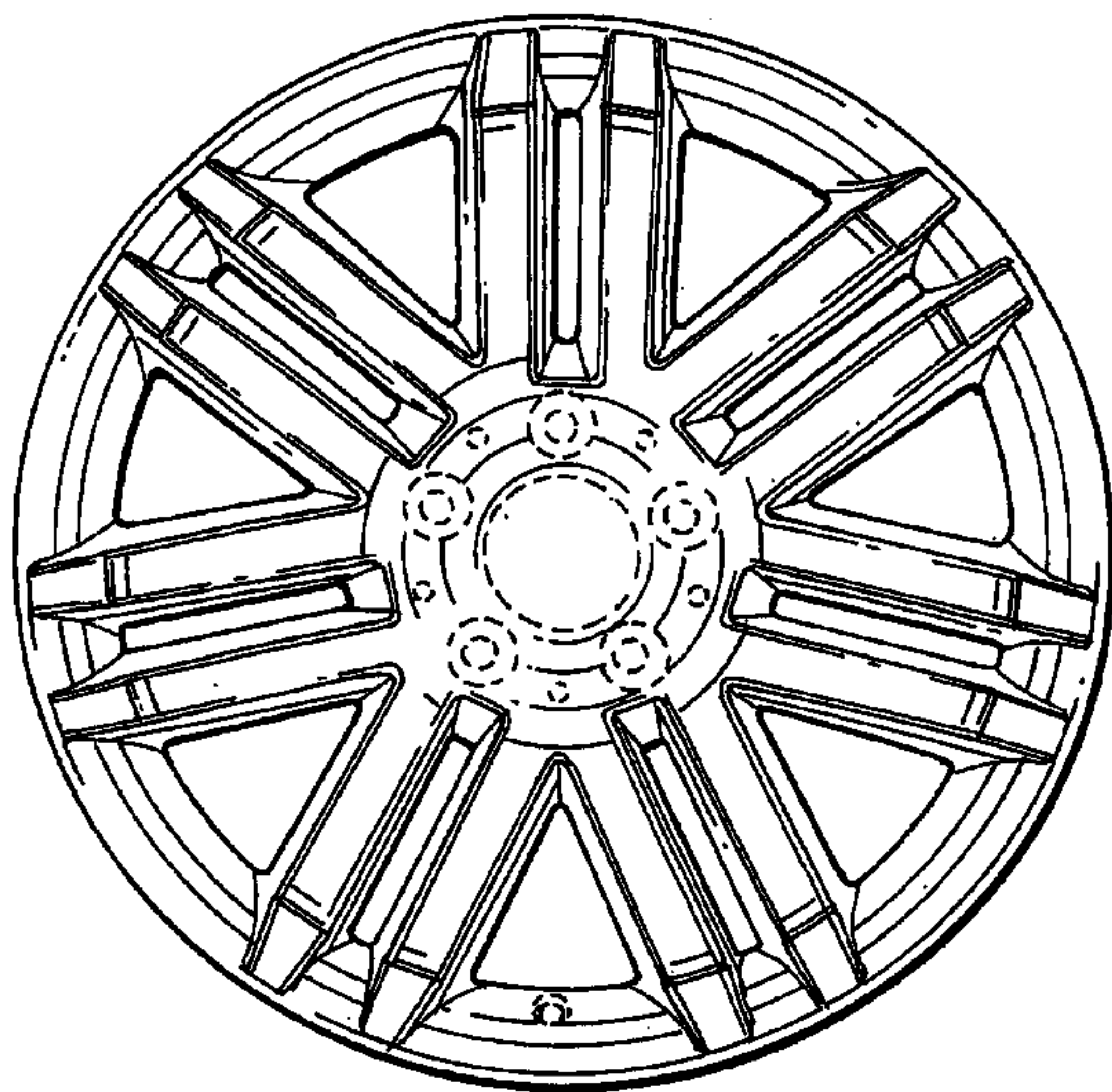
DESCRIPTION

FIG. 1 is a front view of a first embodiment of a front face of a vehicle wheel according to my novel design; and FIG. 2 is a perspective view thereof.

FIG. 3 is a front view of a second embodiment of the front face of a vehicle wheel according to my novel design; and, FIG. 4 is a perspective view thereof.

The broken lines are for illustrative purposes only and form no part of the claimed design.

1 Claim, 2 Drawing Sheets



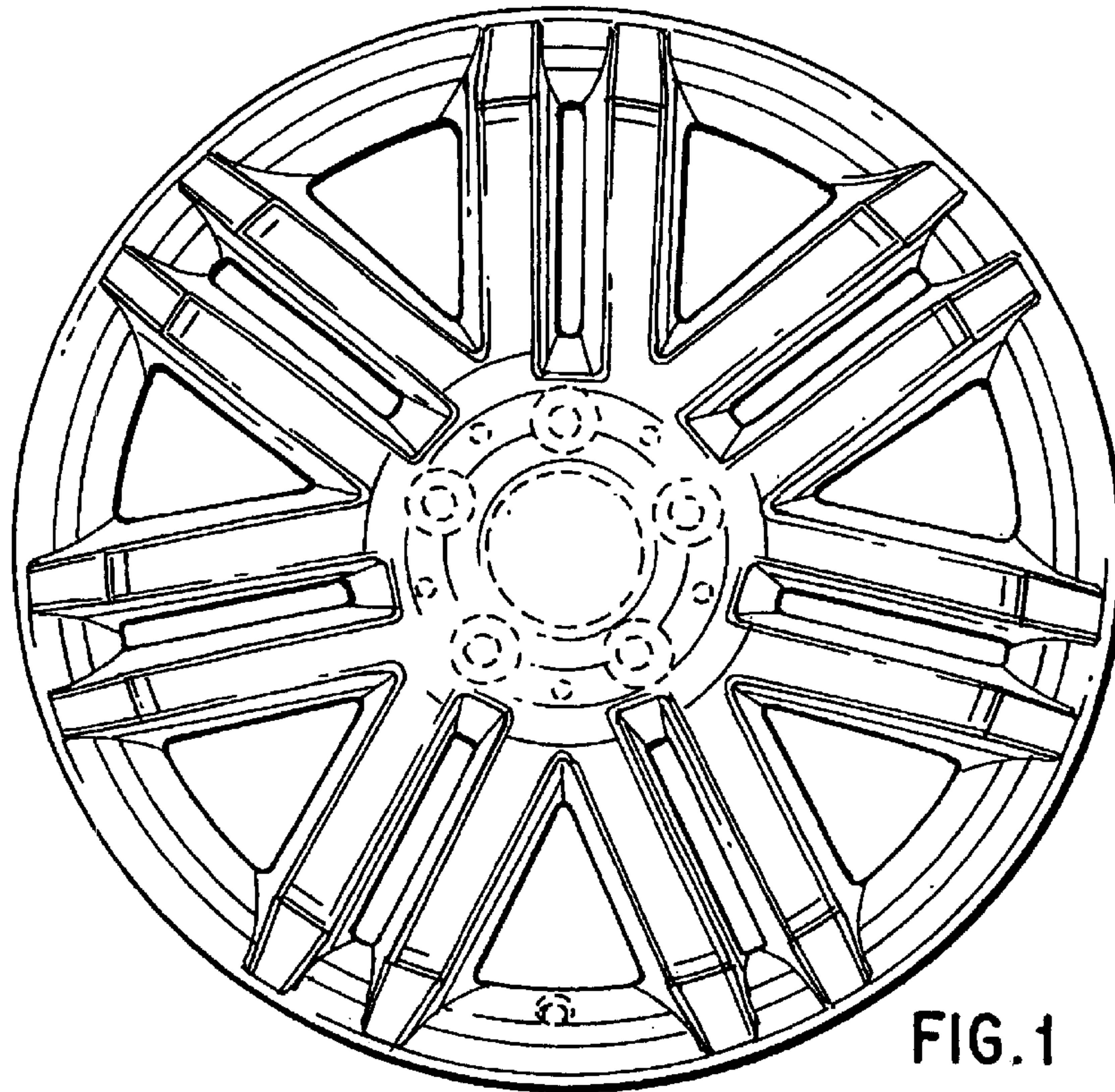


FIG. 1

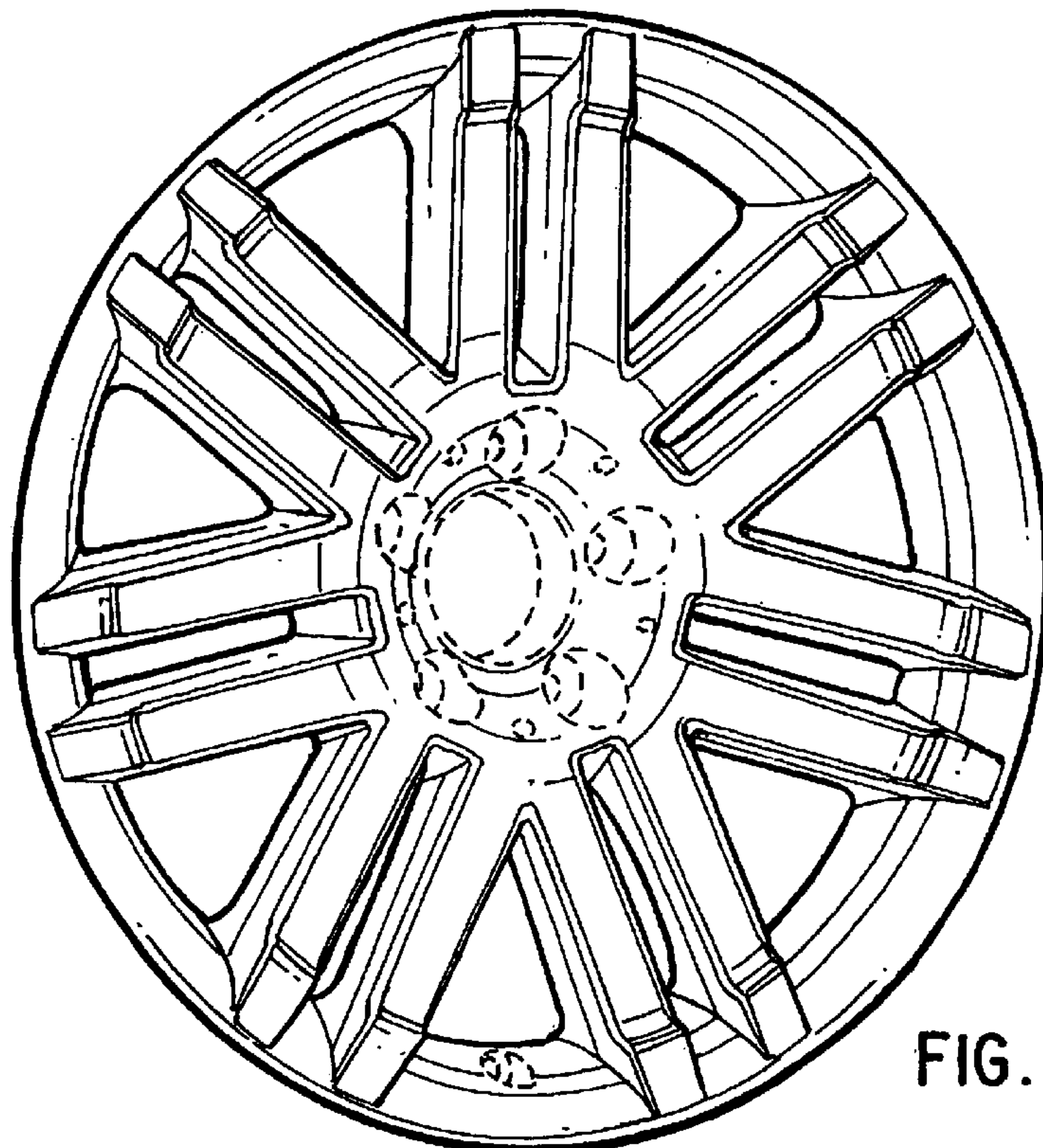


FIG. 2

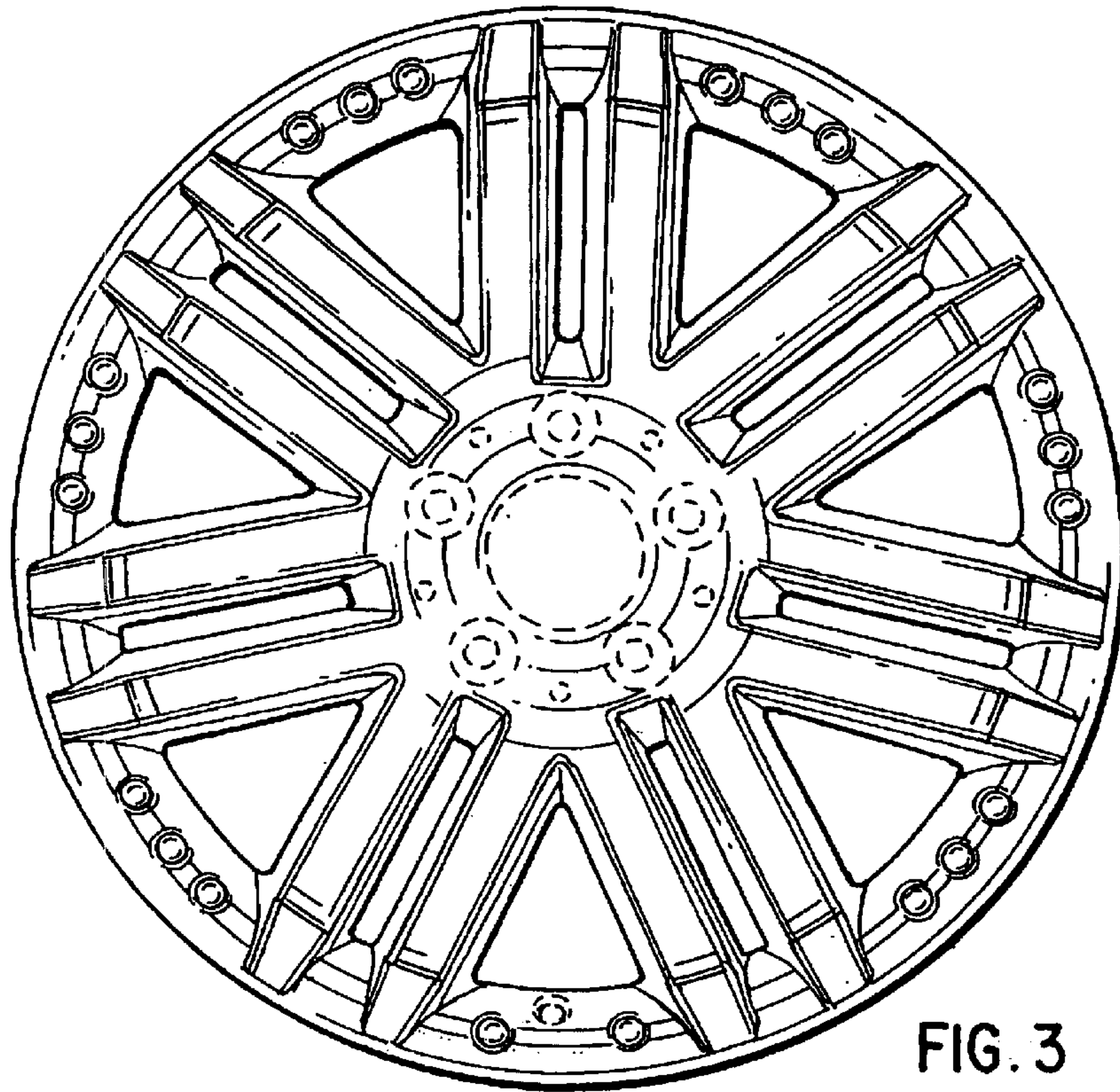


FIG. 3

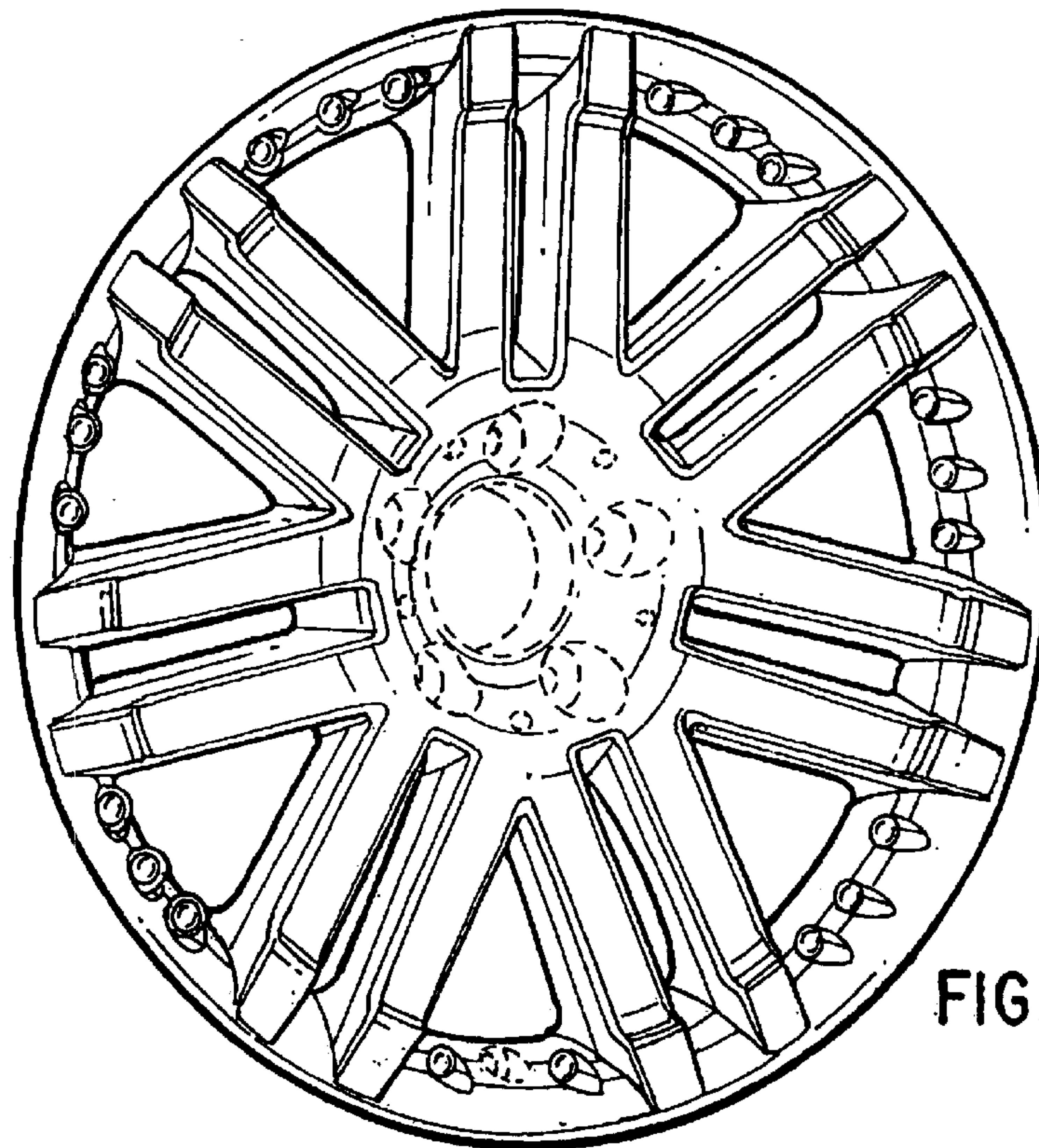


FIG. 4