

US00D542208S

(12) **United States Design Patent**
Gallert

(10) **Patent No.:** **US D542,208 S**

(45) **Date of Patent:** **** May 8, 2007**

(54) **FRONT FACE OF A VEHICLE WHEEL**

(75) Inventor: **Michael Gallert**, Stuttgart (DE)

(73) Assignee: **Dr. Ing. h.c.F. Porsche**
Aktiengesellschaft, Stuttgart (DE)

(**) Term: **14 Years**

(21) Appl. No.: **29/263,710**

(22) Filed: **Jul. 28, 2006**

(30) **Foreign Application Priority Data**

Jan. 30, 2006 (EM) 000471206-0001

(51) **LOC (8) Cl.** **12-16**

(52) **U.S. Cl.** **D12/211**

(58) **Field of Classification Search** D12/204-213;
301/37.101, 64.101, 65

See application file for complete search history.

(56) **References Cited**

U.S. PATENT DOCUMENTS

D412,692 S * 8/1999 Hussaini D12/209
D428,846 S * 8/2000 Yoshida et al. D12/211
D432,974 S * 10/2000 Jablonski D12/211

D433,659 S * 11/2000 Frizzi D12/211
D450,647 S * 11/2001 Pfeiffer D12/211
D471,502 S * 3/2003 McMath D12/209
D475,674 S * 6/2003 Baumgartner D12/211
D476,283 S * 6/2003 Baumgartner D12/211
D484,839 S * 1/2004 Scheu D12/209
D488,420 S * 4/2004 Murkett et al. D12/209
D491,872 S * 6/2004 Lai D12/211
D519,435 S * 4/2006 Nodera D12/211
D522,432 S * 6/2006 Pfeiffer D12/209

* cited by examiner

Primary Examiner—Stacia Cadmus

(74) *Attorney, Agent, or Firm*—Crowell & Moring LLP

(57) **CLAIM**

The ornamental design for a front face of a vehicle wheel, as shown and described.

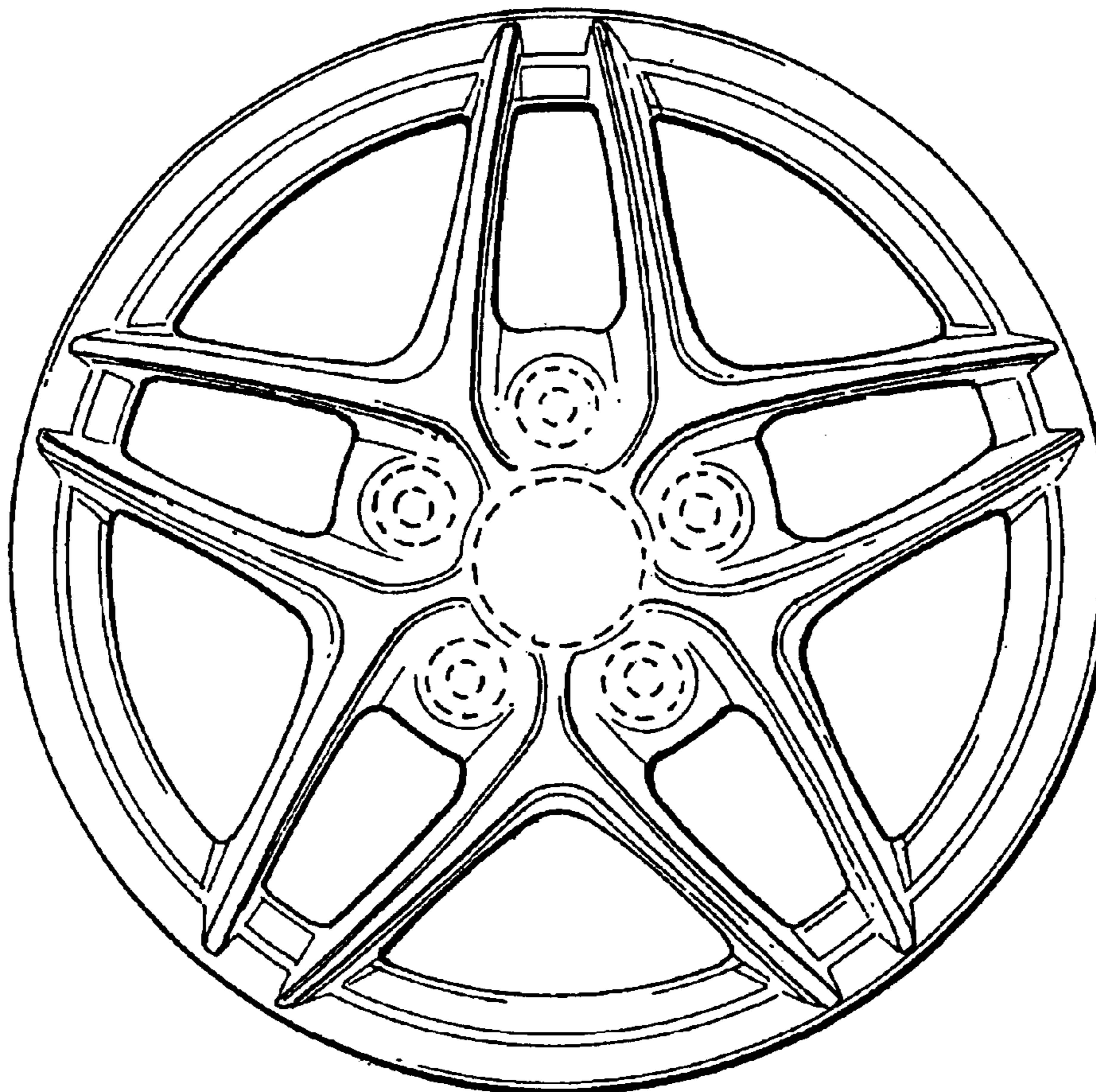
DESCRIPTION

FIG. 1 is a front view of a front face of a vehicle wheel according to my novel design; and,

FIG. 2 is a perspective view thereof.

The broken lines are for illustrative purposes only and form no part of the claimed design.

1 Claim, 1 Drawing Sheet



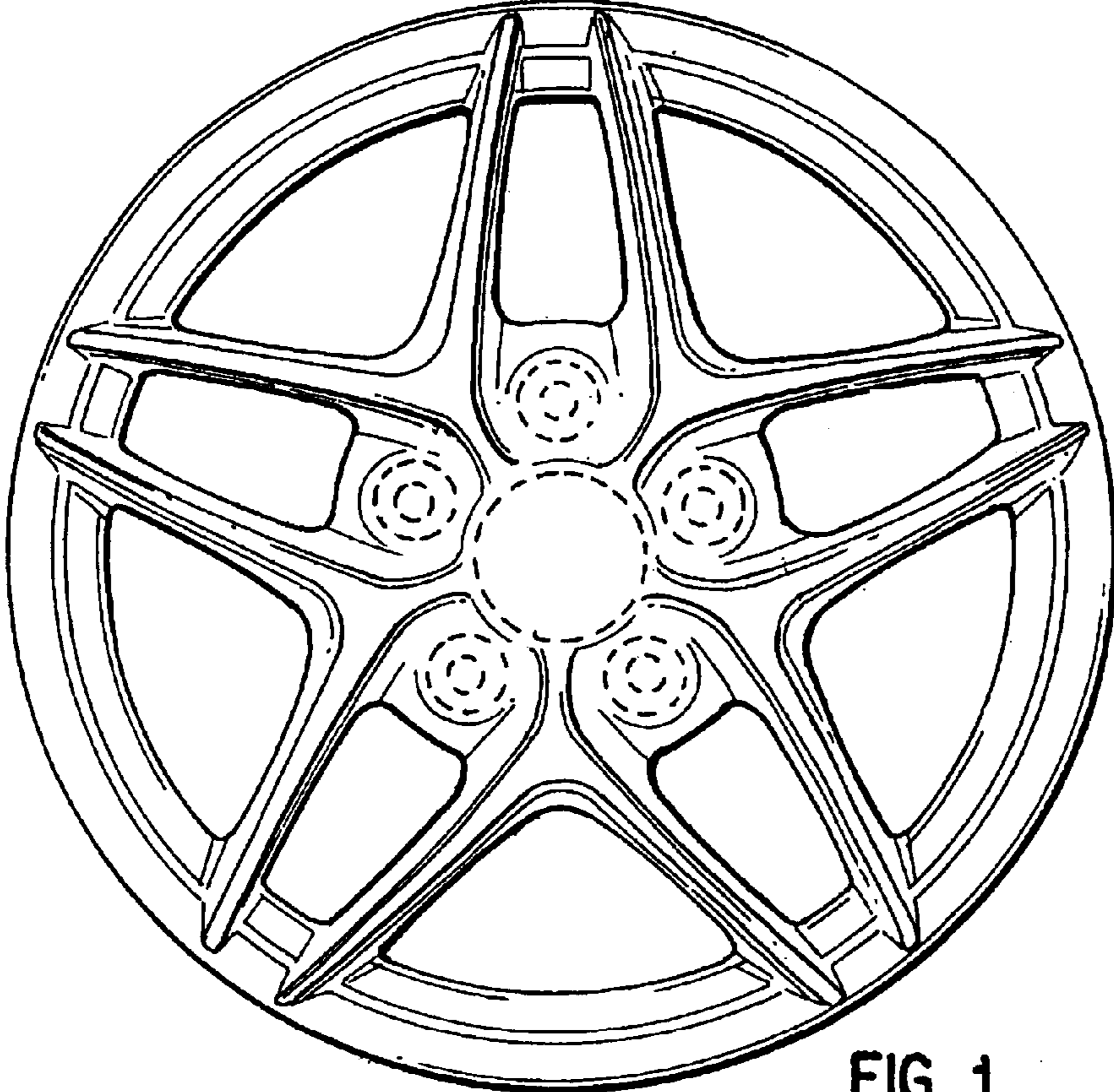


FIG. 1

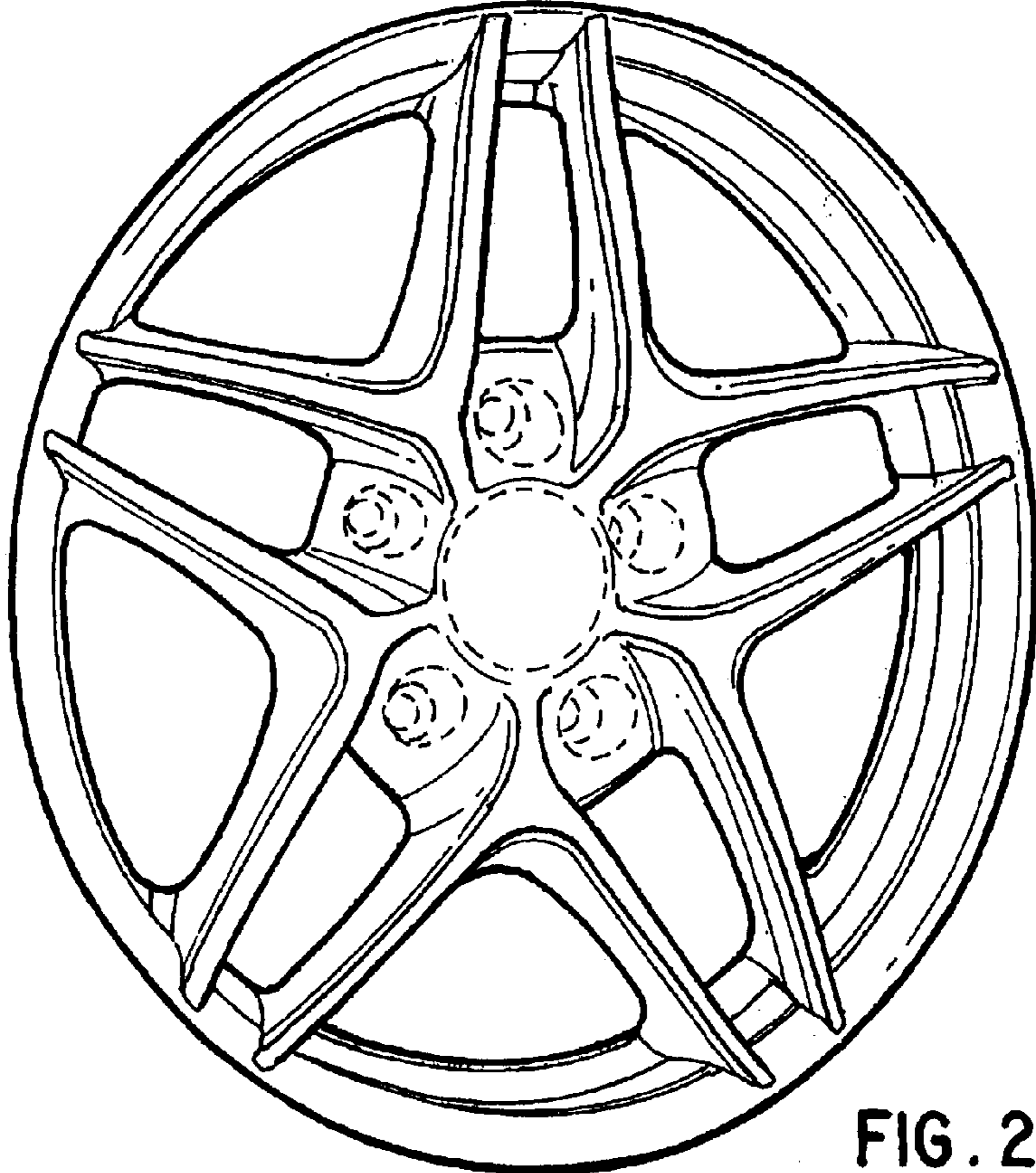


FIG. 2