

US00D542205S

(12) **United States Design Patent**
Echazabal

(10) **Patent No.:** **US D542,205 S**

(45) **Date of Patent:** **** May 8, 2007**

(54) **VEHICLE WHEEL**

D399,812 S * 10/1998 Weld D12/209
D494,121 S * 8/2004 Sulahian D12/209

(76) Inventor: **Alberto Echazabal**, 317 Wallis St.,
Pasadena, CA (US) 91106-4234

* cited by examiner

(**) Term: **14 Years**

Primary Examiner—Caron D. Veynar
Assistant Examiner—George D. Kirschbaum, Jr.
(74) *Attorney, Agent, or Firm*—Bacon & Thomas, PLLC

(21) Appl. No.: **29/197,740**

(22) Filed: **Jan. 21, 2004**

(57) **CLAIM**

(30) **Foreign Application Priority Data**

The ornamental design for a vehicle wheel, as shown and described.

Jul. 23, 2003 (ES) 157155

(51) **LOC (8) Cl.** **12-16**

(52) **U.S. Cl.** **D12/209**

(58) **Field of Classification Search** D12/207,
D12/209, 211, 213; 301/37.101, 64.101,
301/65; D21/533, 548

DESCRIPTION

See application file for complete search history.

FIG. 1 is a left side perspective view of a vehicle wheel showing my new design; and,
FIG. 2 is a front elevation view of the wheel shown in FIG. 1.

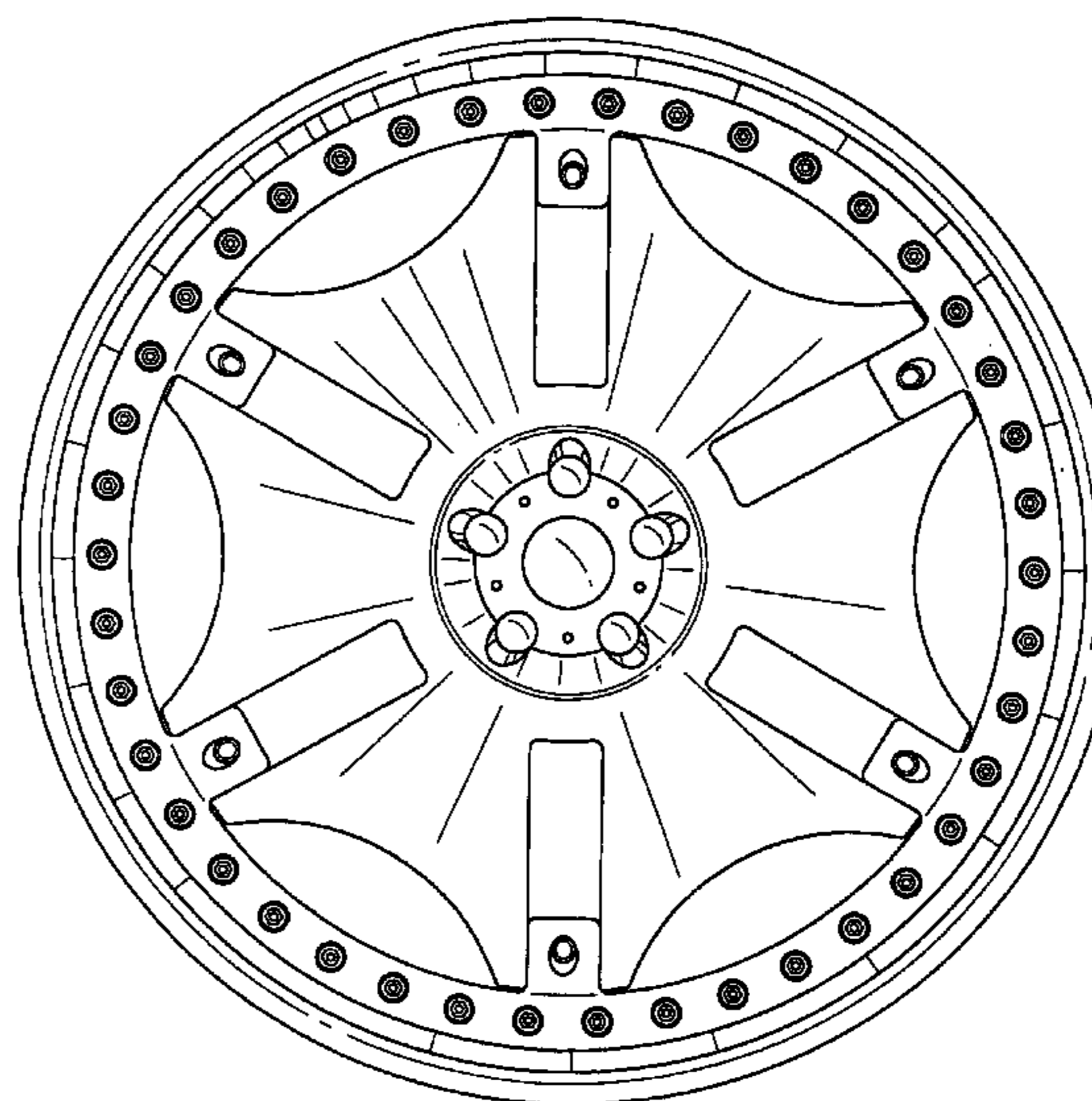
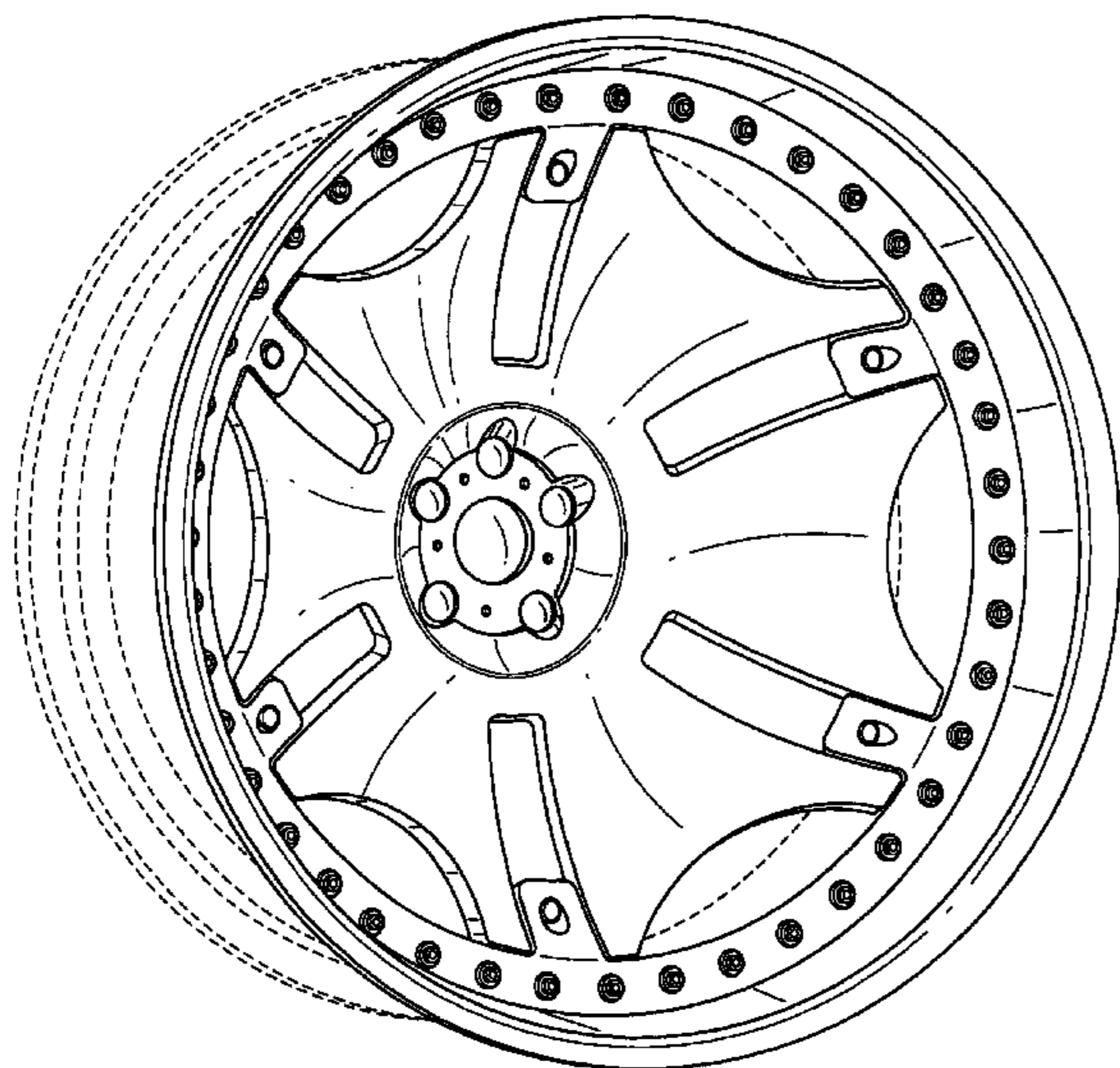
The broken lines showing of environment is for illustrative purposes only and forms no part of the claimed design.

(56) **References Cited**

U.S. PATENT DOCUMENTS

D384,633 S * 10/1997 Syring D12/211

1 Claim, 2 Drawing Sheets



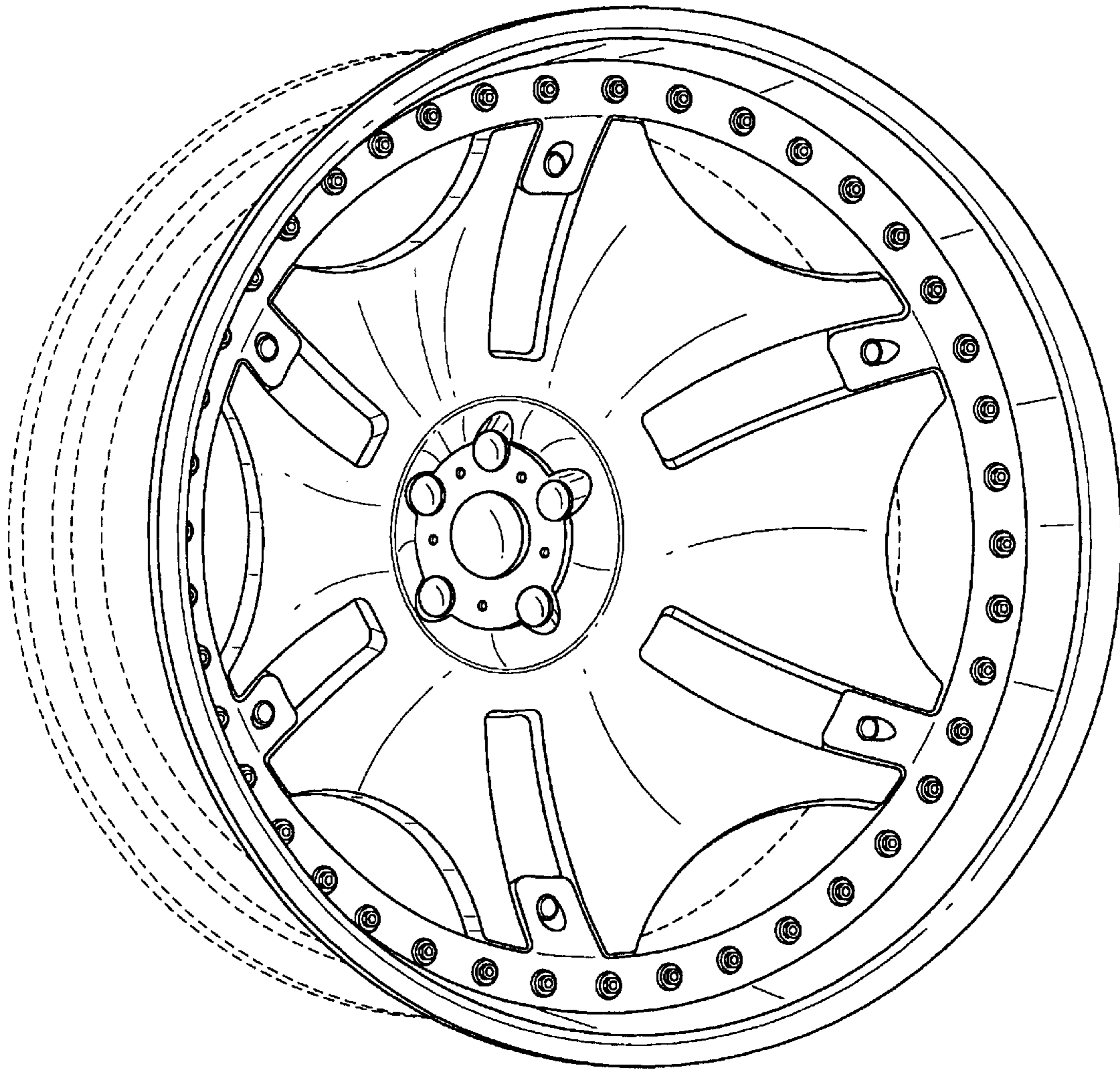


FIG. 1

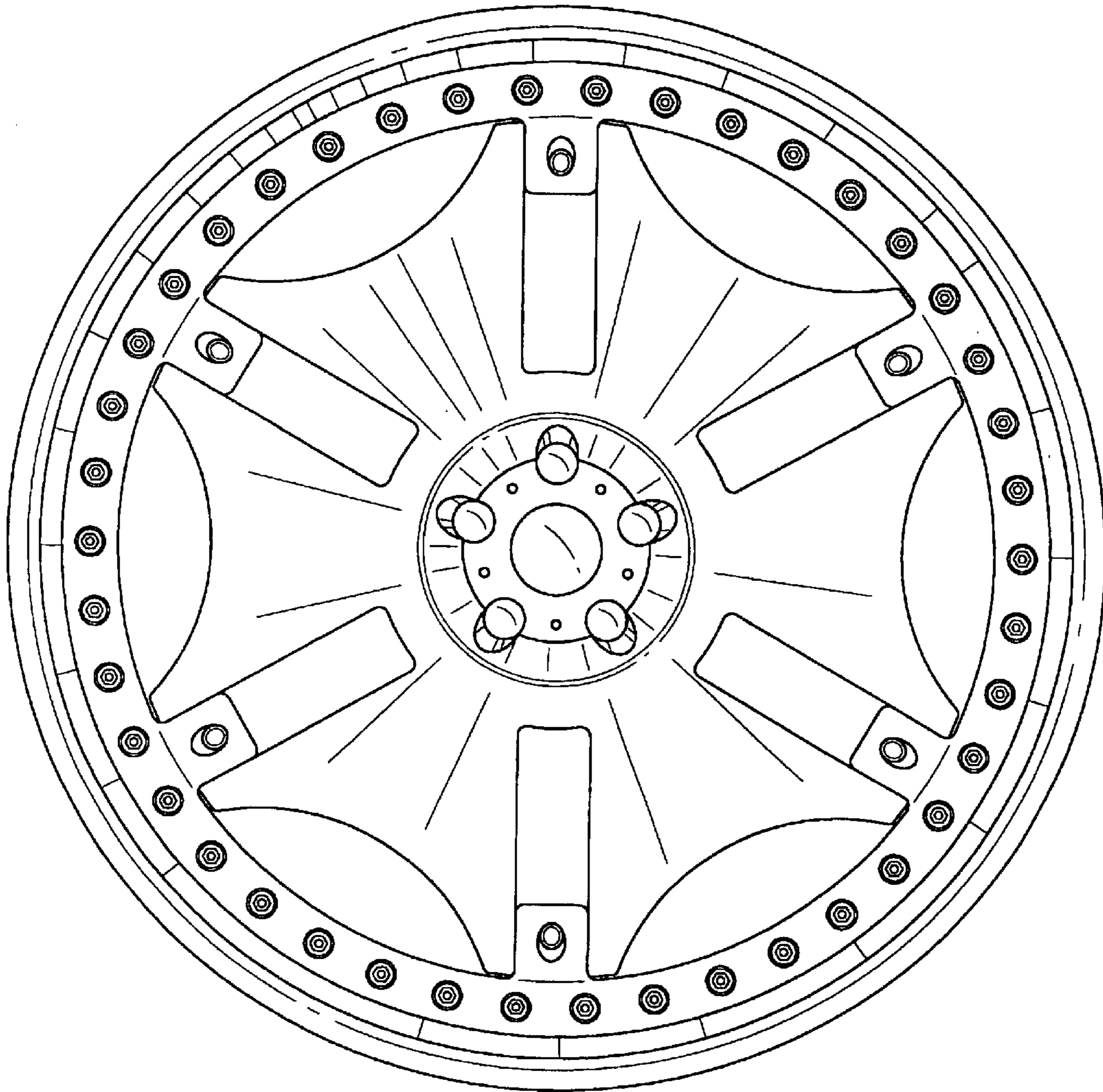


FIG. 2