



US00D542194S

(12) **United States Design Patent** (10) **Patent No.:** **US D542,194 S**
Golden et al. (45) **Date of Patent:** **** May 8, 2007**

(54) **VEHICLE UPPER REAR BUMPER**

(75) Inventors: **Edward Golden**, Pinckney, MI (US); **Darrell Behmer**, Novi, MI (US); **Melvin Betancourt**, Shelby Township, MI (US); **Solomon Song**, Farmington Hills, MI (US); **Shawn Wehrly**, Royal Oak, MI (US); **Addam Ebel**, Dearborn, MI (US); **Sang Kim**, Canton, MI (US); **Garen Nicoghosian**, Beverly Hills, MI (US)

(73) Assignee: **Ford Global Technologies, LLC**, Dearborn, MI (US)

(**) Term: **14 Years**

(21) Appl. No.: **29/241,531**

(22) Filed: **Oct. 27, 2005**

(51) **LOC (8) Cl.** **12-16**

(52) **U.S. Cl.** **D12/169**

(58) **Field of Classification Search** D12/90-92,
D12/86, 169, 196; 296/180.1, 180.2; 293/102,
293/113, 115, 117, 120
See application file for complete search history.

(56) **References Cited**

U.S. PATENT DOCUMENTS

D491,119 S	*	6/2004	Metros et al.	D12/169
D507,513 S	*	7/2005	Kamimura et al.	D12/169
D516,969 S	*	3/2006	Honda et al.	D12/169
D522,418 S	*	6/2006	Truebsbach	D12/169
D522,938 S	*	6/2006	Iwanaga	D12/169

OTHER PUBLICATIONS

AutoWeek.com, *2007 Edge*, Jul. 6, 2005 <http://forums.autoweek.com/thread.jspa?forumID=235&threadID=17785&messageID=388305>.

TheCarConnection.com, TCC Message Boards—*Concepts, Spy Shots and Future Cars—2007 Ford Edge*, Aug. 11, 2005 <http://forum.thecarconnection.com/showthread.php?t=2416>.

Chicago Tribune—Online Edition, *The 2007 Ford Edge crossover vehicle, derived from the Mazda6 sedan, will make its debut early next year.* Aug. 24, 2005 <http://www.chicagotribune.com/classified/automotive/chi-050824mateja-pix,1,5840997.photo?coll=chi-classifiedcars-hed>.

Popular Mechanics Online, *PM.com Exclusive: 2 Look-a-like Mules*, Sep. 8, 2005 http://www.popularmechanics.com/automotive/spy_reports/1829262.html.

Edmunds.com, *New Ford Edge Crossover Caught Testing*, Sep. 26, 2005 <http://www.edmunds.com/insideline/do/Features/articleId=107367>.

* cited by examiner

Primary Examiner—Melody N. Brown

(74) *Attorney, Agent, or Firm*—Fredrick Owens

(57) **CLAIM**

The ornamental design for a vehicle upper rear bumper, as shown and described.

DESCRIPTION

FIG. 1 is a front perspective view of a vehicle upper rear bumper;

FIG. 2 is a perspective view of the vehicle upper rear bumper;

FIG. 3 is a top plan view of the vehicle upper rear bumper;

FIG. 4 is a left side elevation view of the vehicle upper rear bumper;

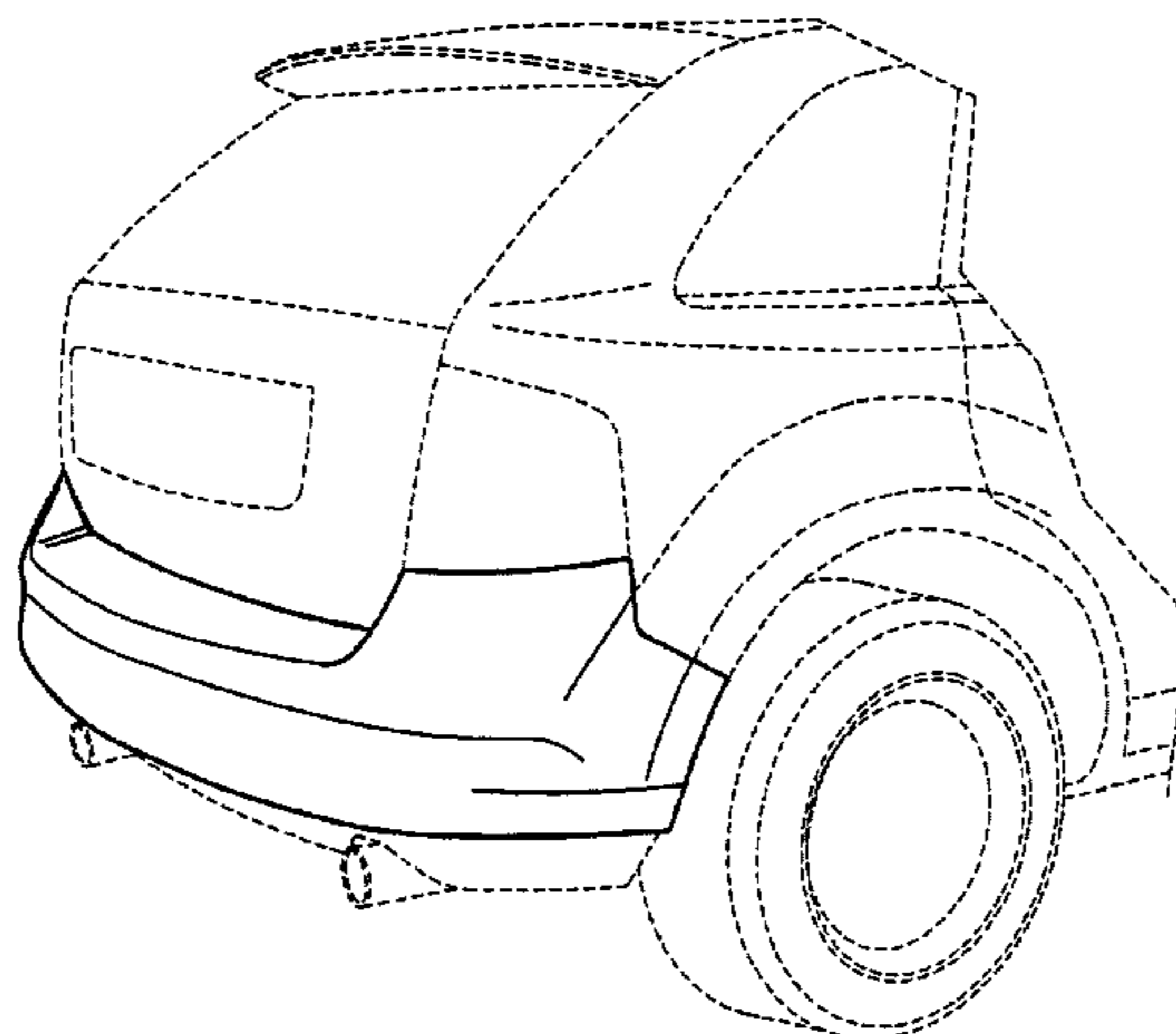
FIG. 5 is a right side elevation view of the vehicle upper rear bumper;

FIG. 6 is bottom plan view of the vehicle upper rear bumper; and,

FIG. 7 is a rear elevation view of the vehicle upper rear bumper.

The broken lines are for illustrative purposes only and form no part of the claimed design.

1 Claim, 7 Drawing Sheets



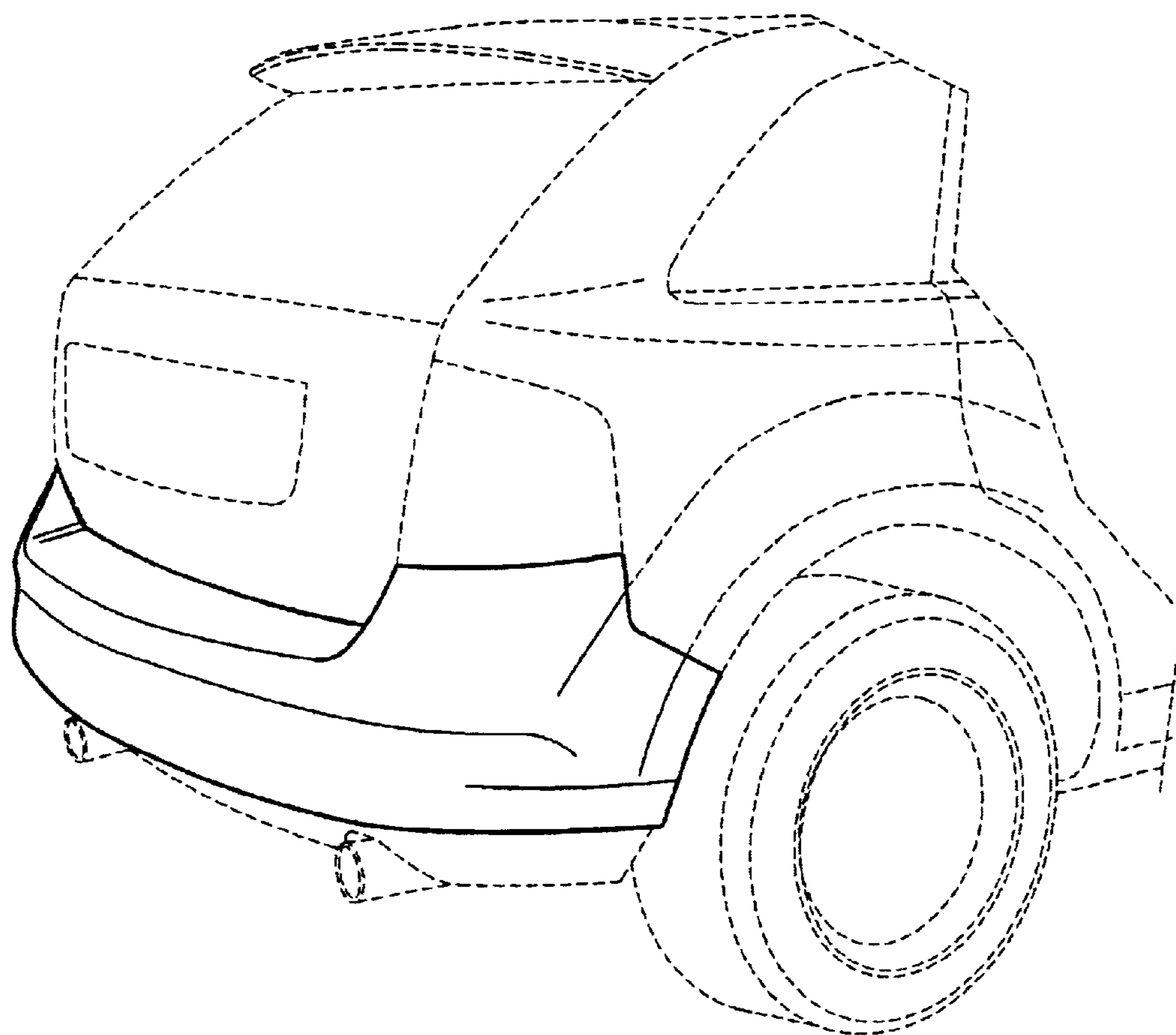


FIG - 1

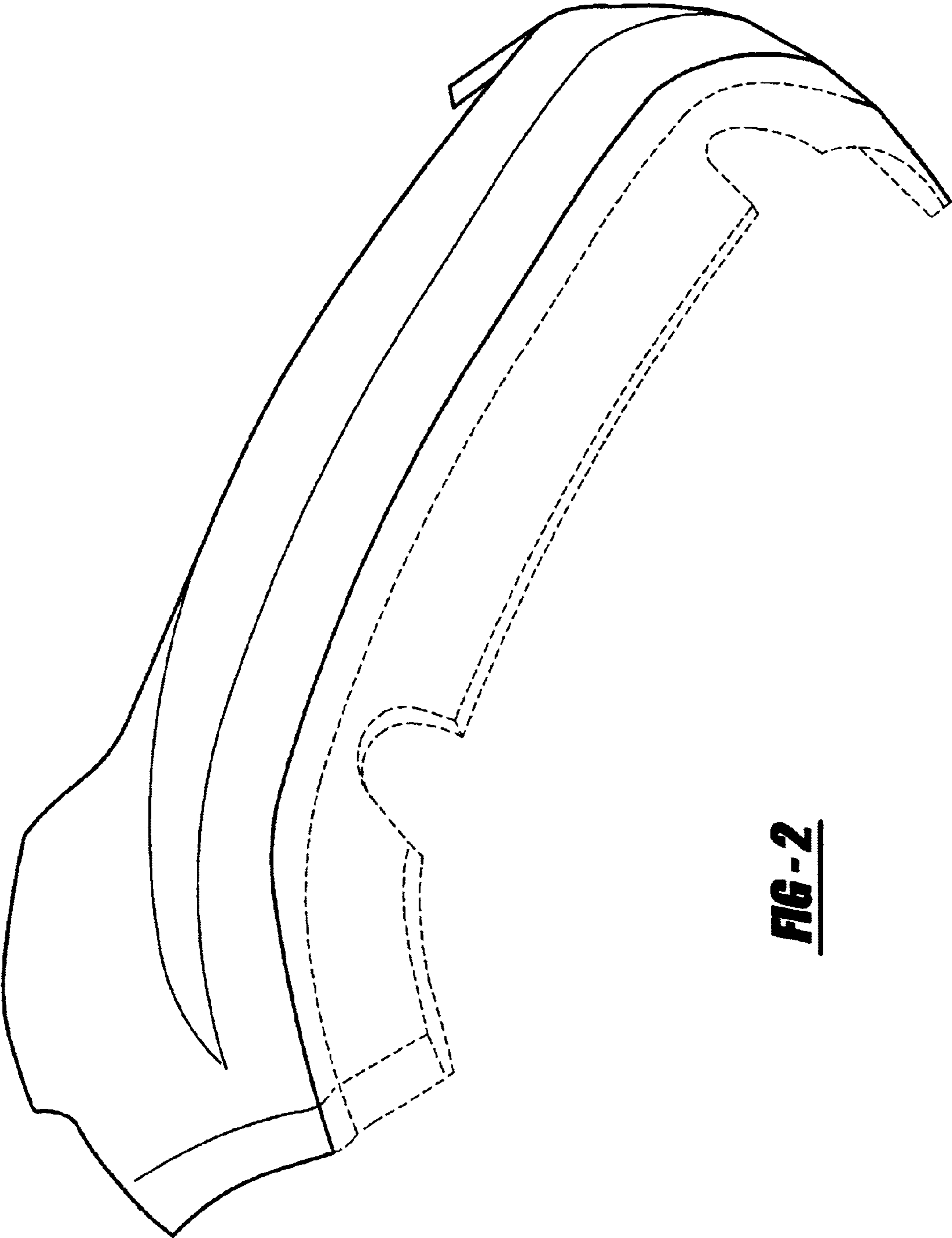


FIG - 2

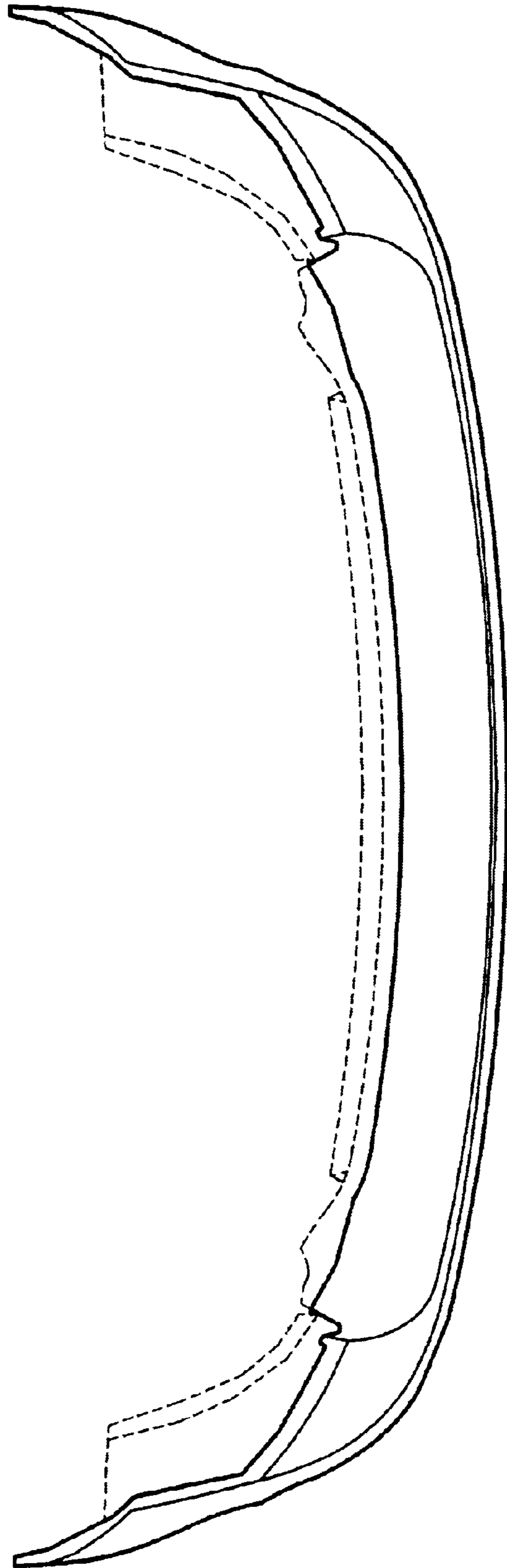


FIG - 3

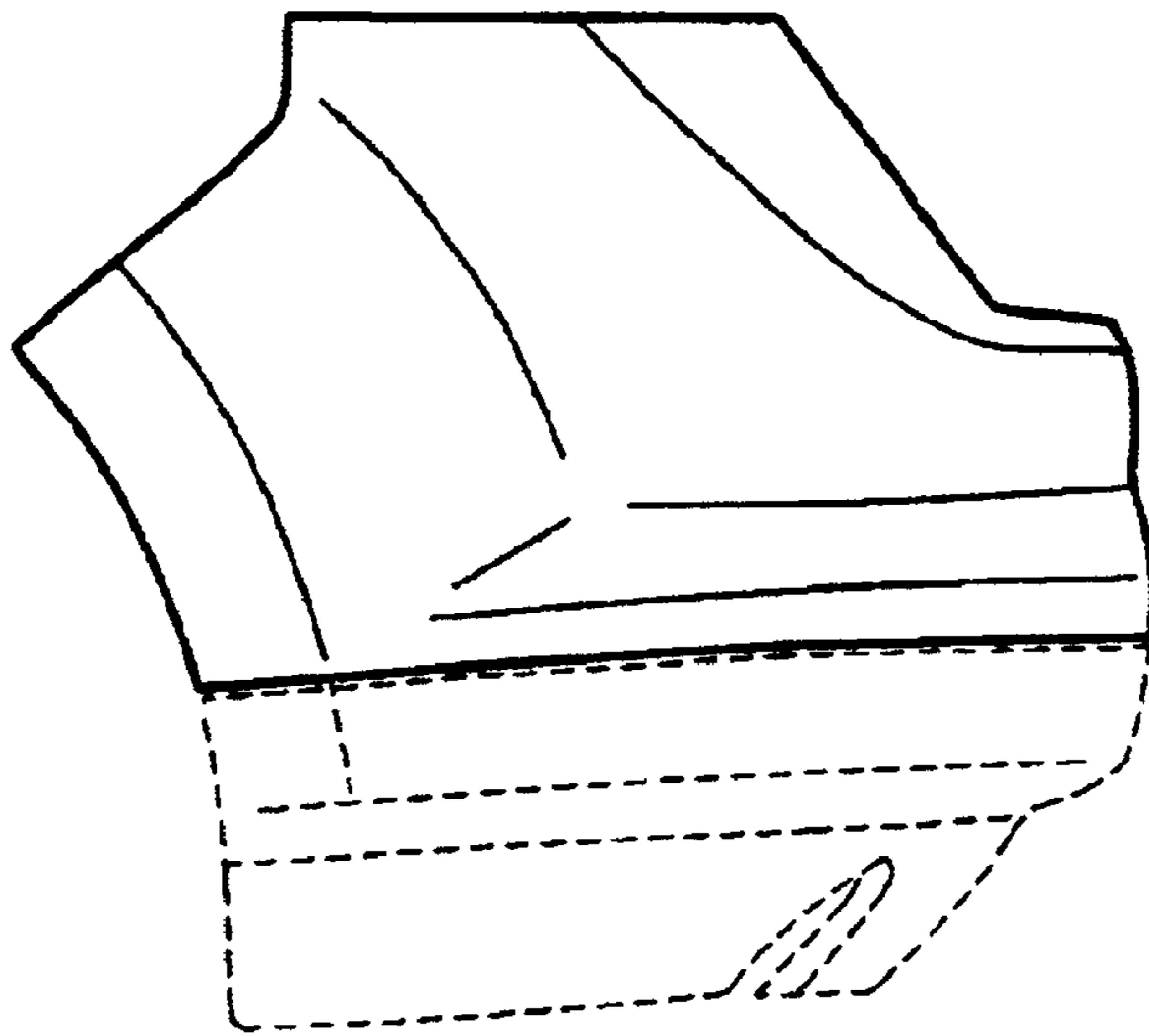


FIG - 4

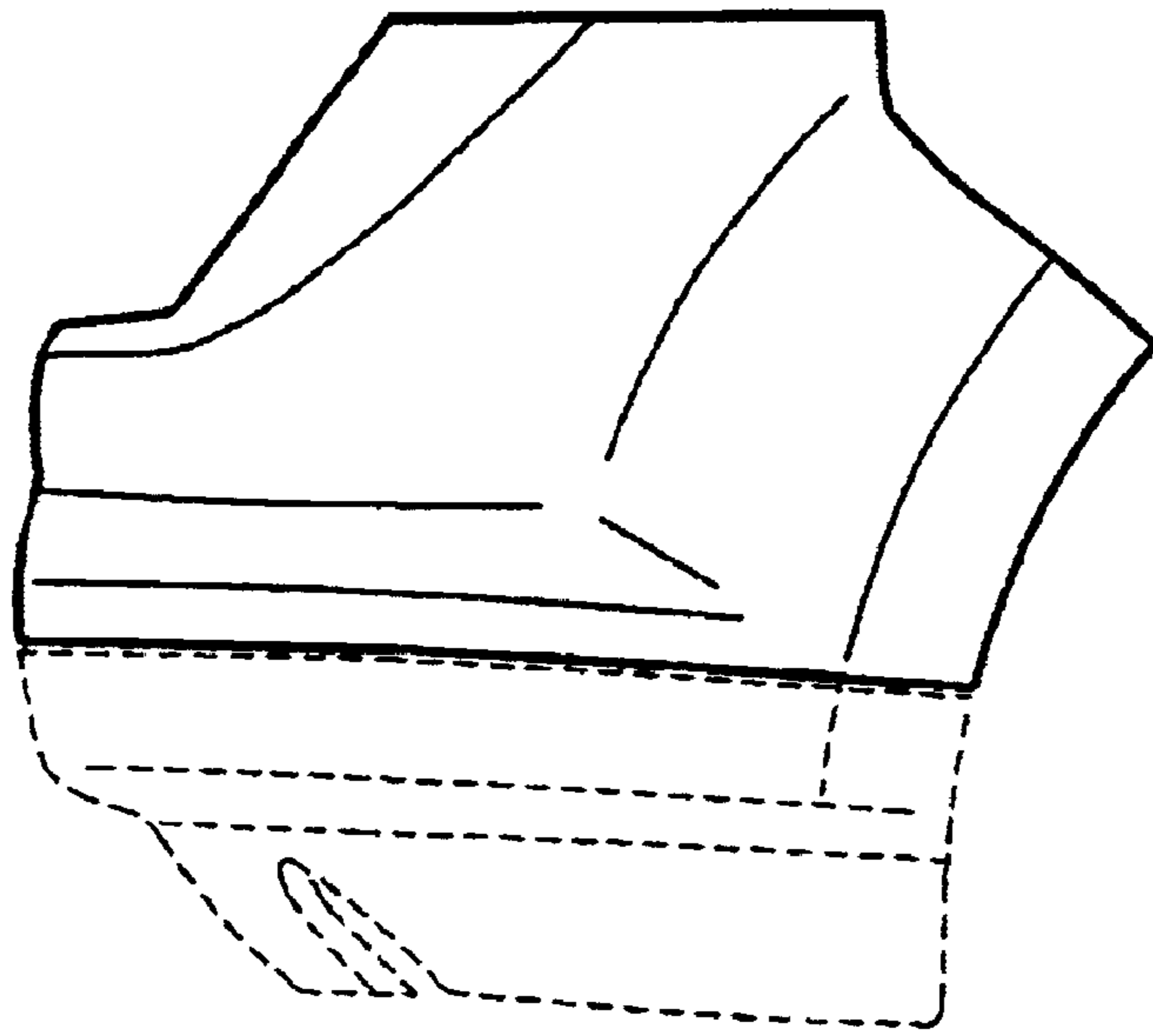


FIG - 5

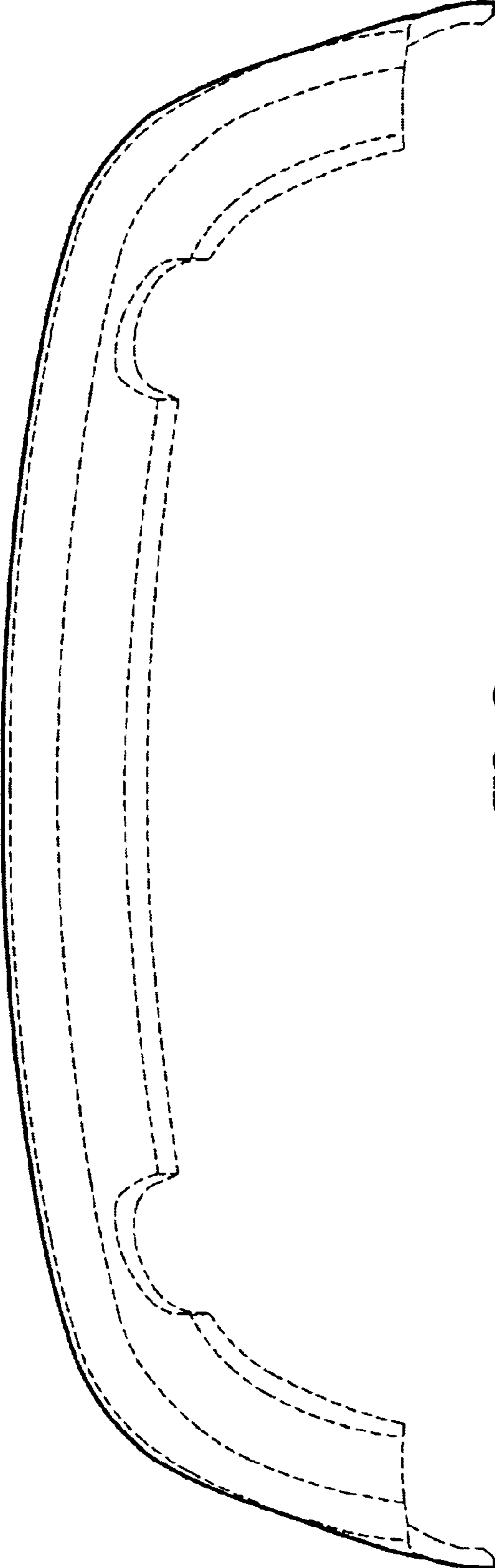


FIG - 6

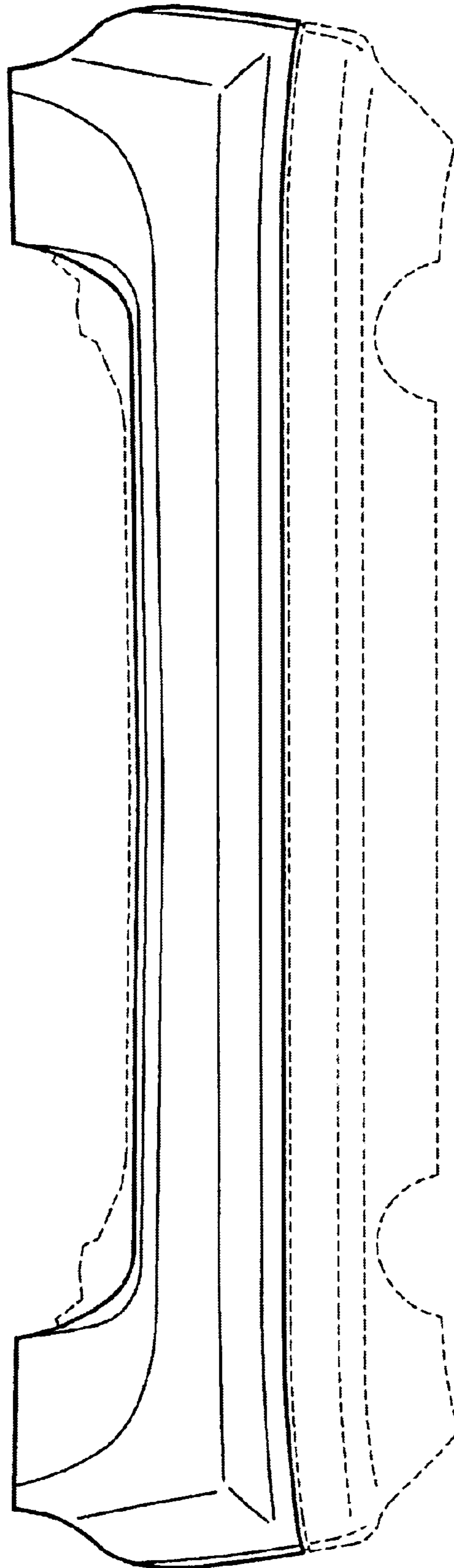


FIG - 7