



US00D542186S

(12) **United States Design Patent**
Lai et al.

(10) **Patent No.:** **US D542,186 S**

(45) **Date of Patent:** **** May 8, 2007**

(54) **ALL TERRAIN VEHICLE**

D520,912 S * 5/2006 Knight et al. D12/107
D529,414 S * 10/2006 Wu et al. D12/107

(75) Inventors: **Guogui Lai**, Yueqing (CN); **Youheng Qian**, Yueqing (CN); **Zhangping Yuan**, Yueqing (CN); **Gang Liu**, Yueqing (CN)

* cited by examiner

(73) Assignee: **Chunfeng Holding Group Co., Ltd.**, Yueqing (CN)

Primary Examiner—Alan P. Douglas
Assistant Examiner—Linda Brooks
(74) *Attorney, Agent, or Firm*—Pillsbury Winthrop Shaw Pittman LLP

(**) Term: **14 Years**

(57) **CLAIM**

(21) Appl. No.: **29/257,243**

The ornamental design for an all terrain vehicle, as substantially shown and described.

(22) Filed: **Apr. 3, 2006**

DESCRIPTION

(30) **Foreign Application Priority Data**

Oct. 9, 2005 (CN) 200530138557

FIG. 1 is a perspective view of an all terrain vehicle showing our new design;

(51) **LOC (8) Cl.** **12-11**

(52) **U.S. Cl.** **D12/107**

FIG. 2 is a left side view of the all terrain vehicle;

(58) **Field of Classification Search** D12/3,

D12/86, 87, 107, 110; 180/225, 229, 233,

180/311, 312

FIG. 3 is a right side view of the all terrain vehicle;

FIG. 4 is a front view of the all terrain vehicle;

FIG. 5 is a back view of the all terrain vehicle;

See application file for complete search history.

FIG. 6 is a top view of the all terrain vehicle; and,

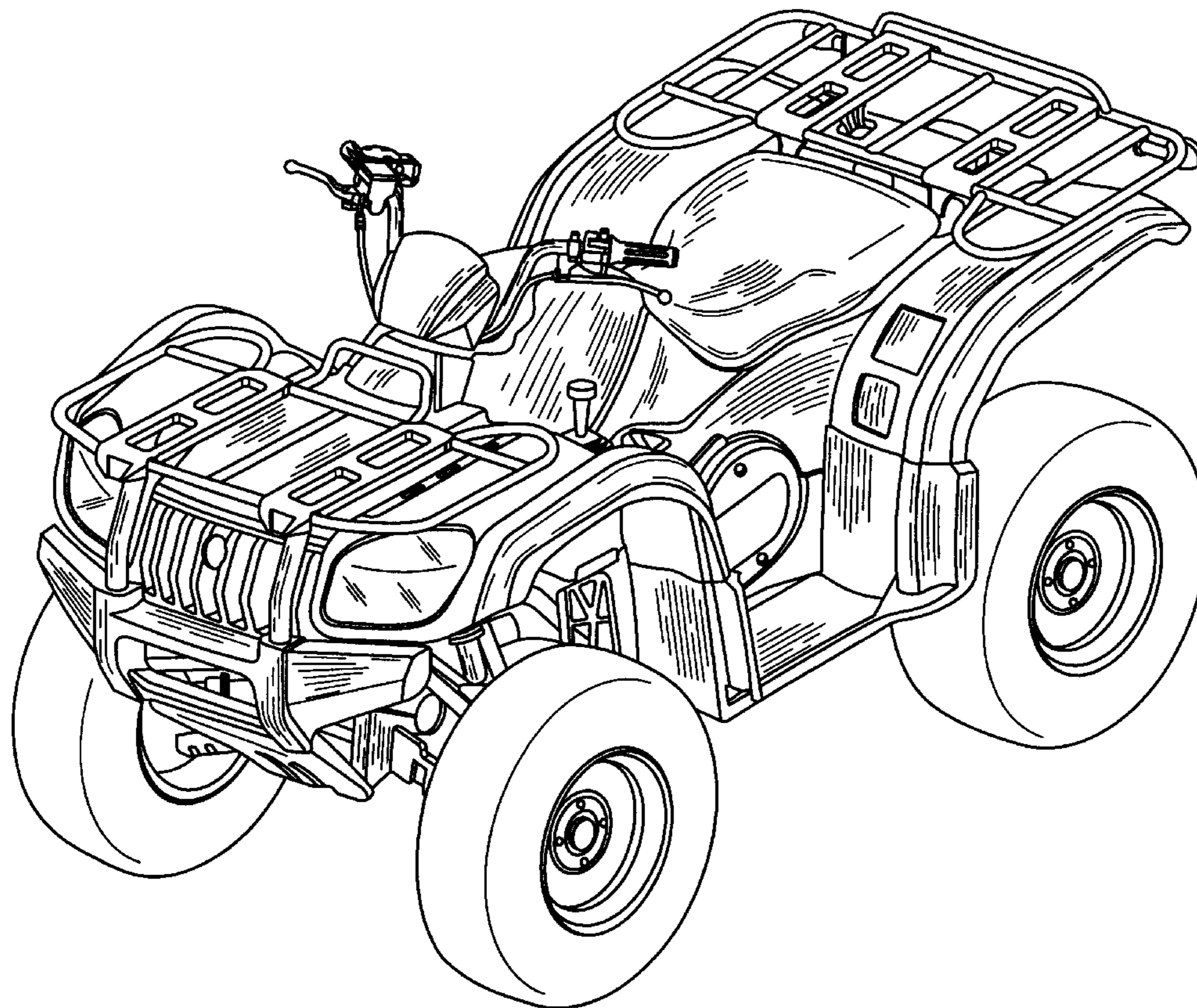
FIG. 7 is another perspective view of the all terrain vehicle.

(56) **References Cited**

U.S. PATENT DOCUMENTS

D516,467 S * 3/2006 Wu D12/107

1 Claim, 7 Drawing Sheets



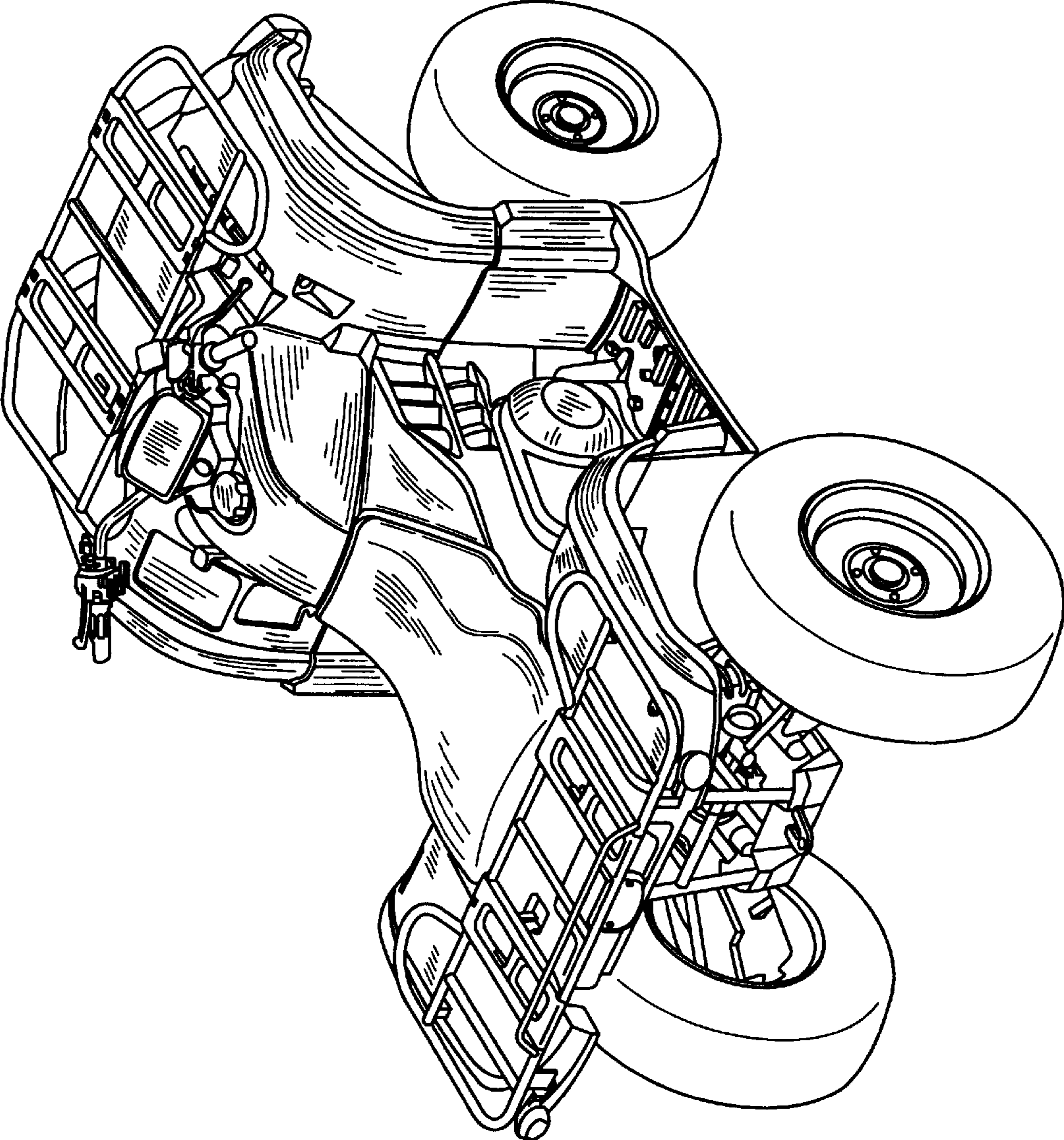


FIG. 1

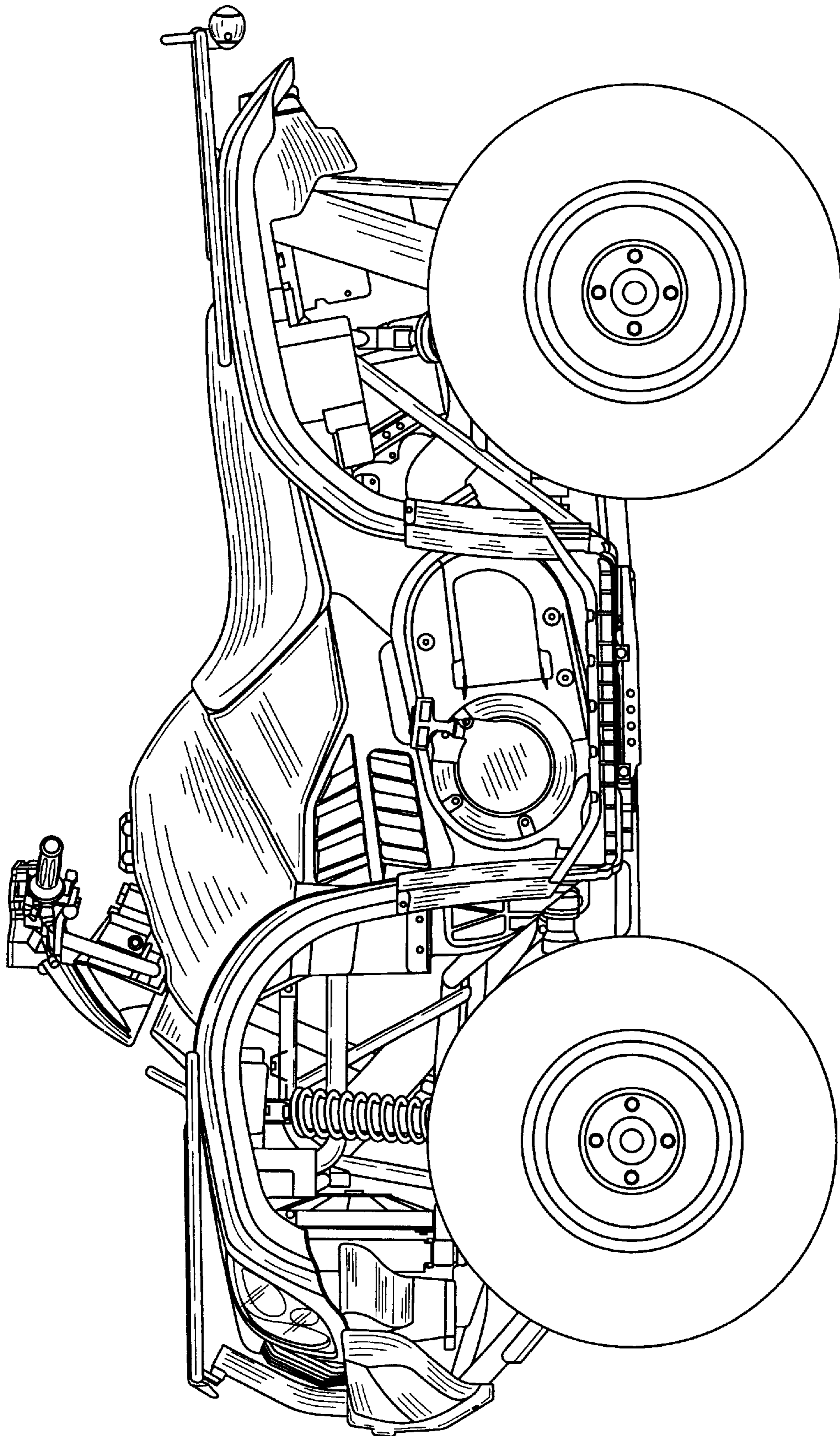


FIG. 2

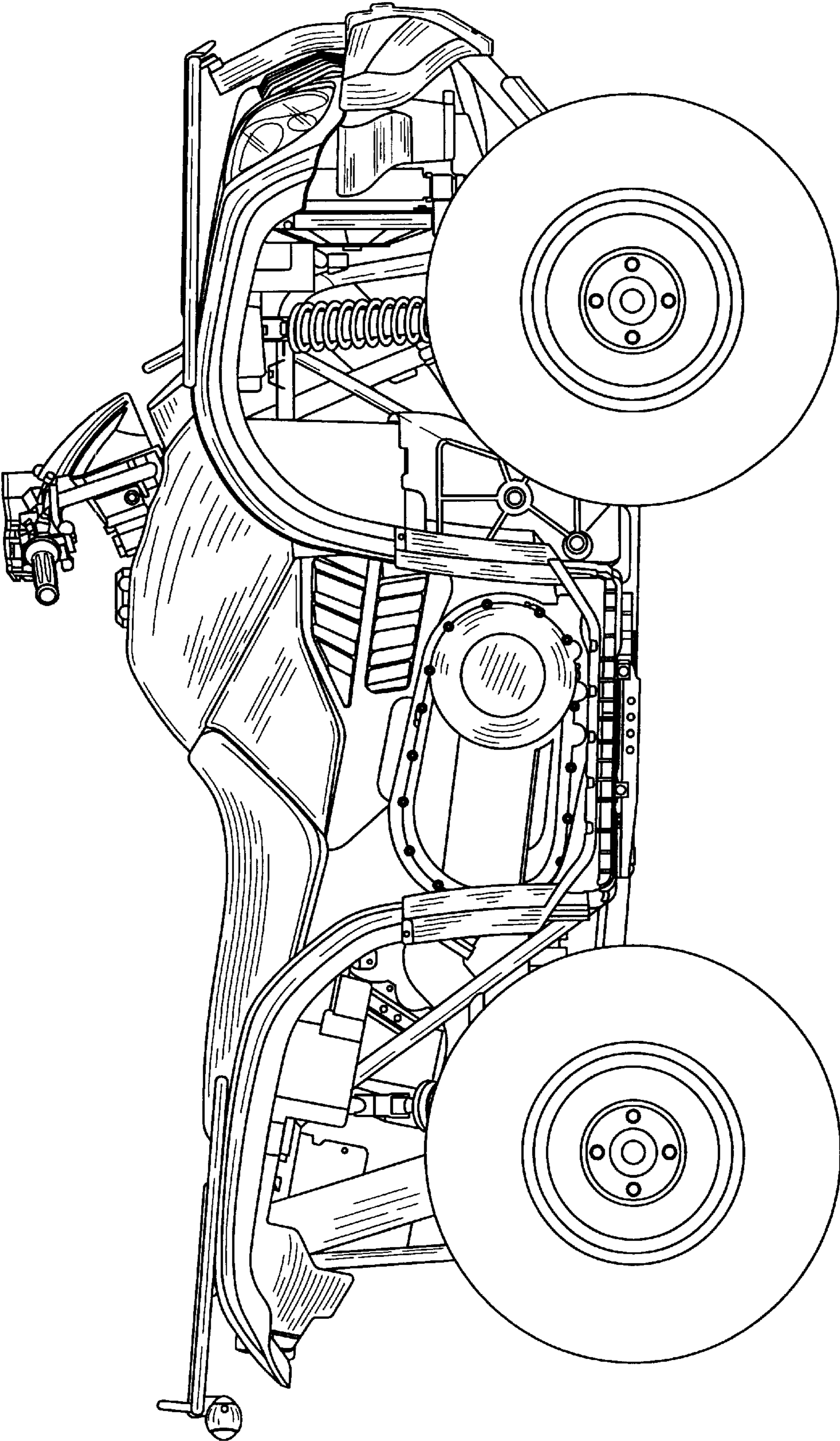


FIG. 3

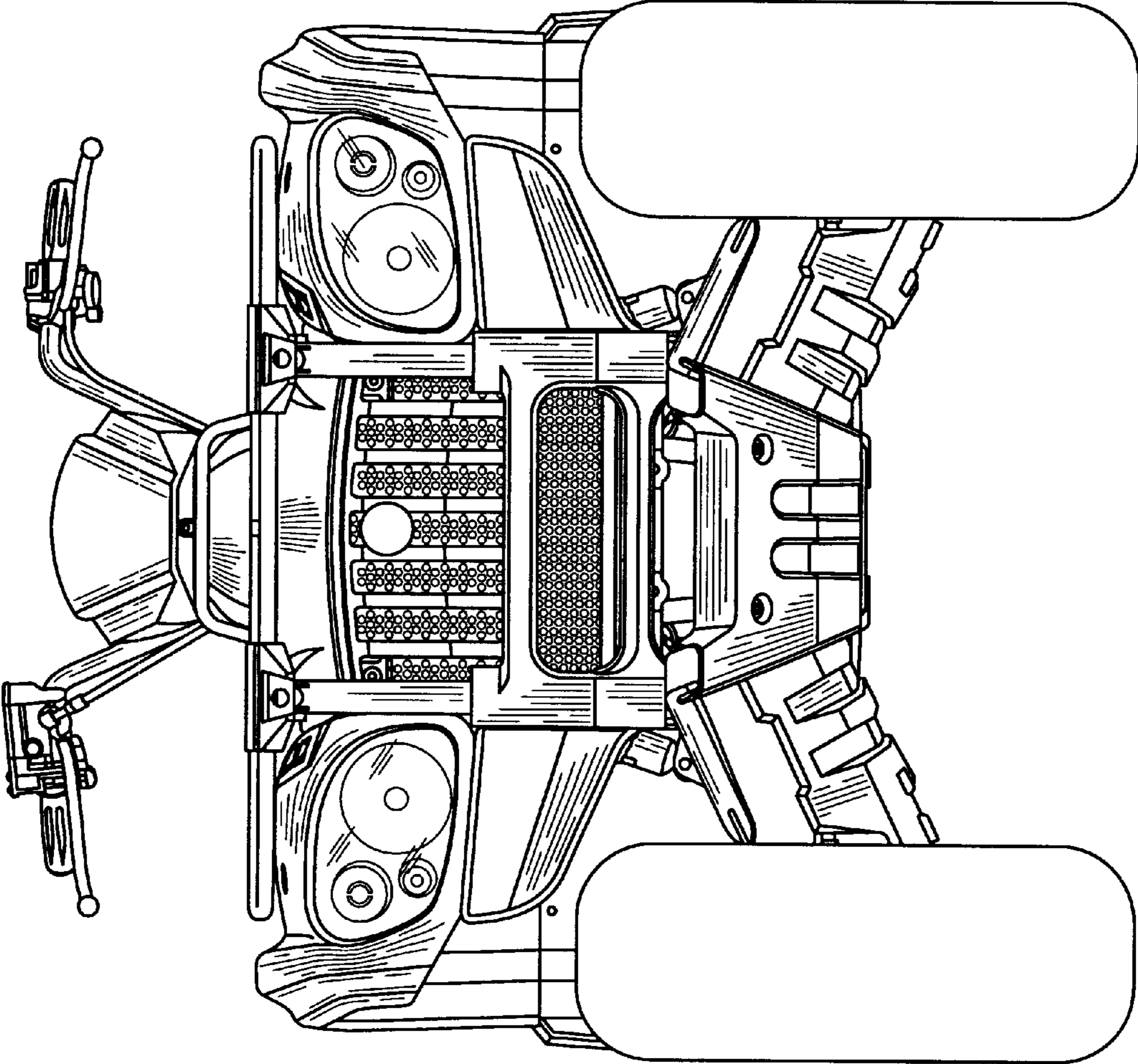


FIG. 4

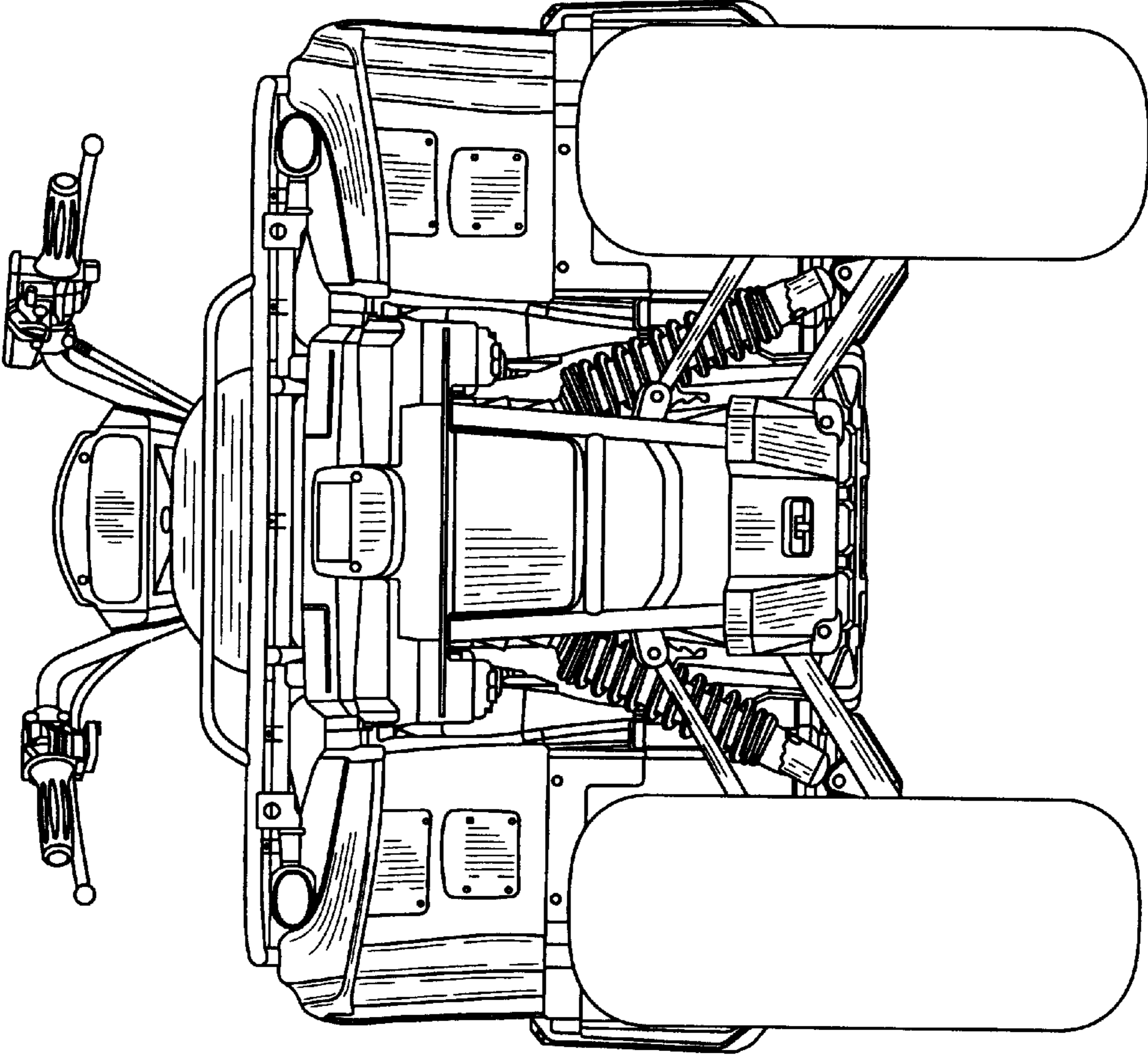


FIG. 5

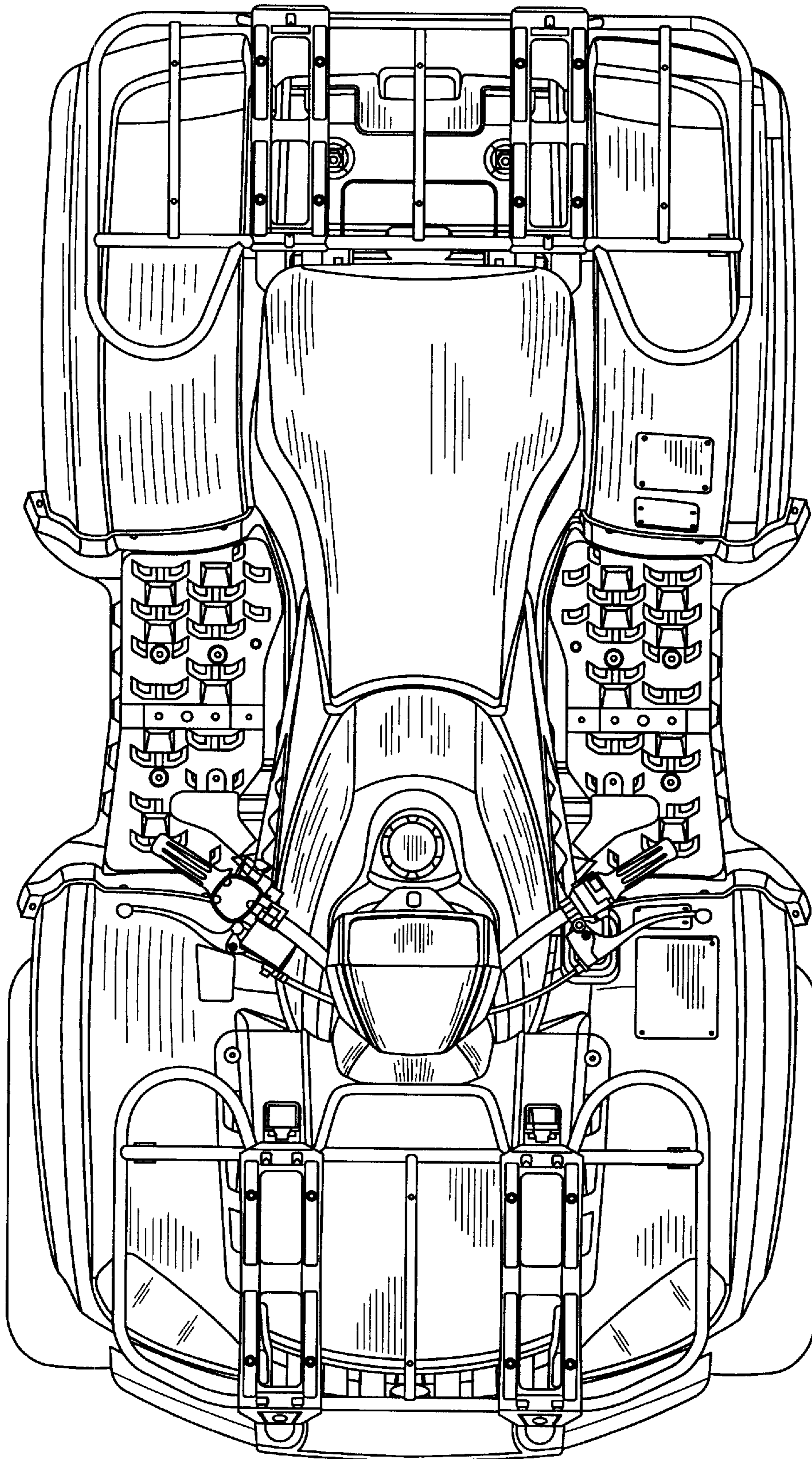


FIG. 6

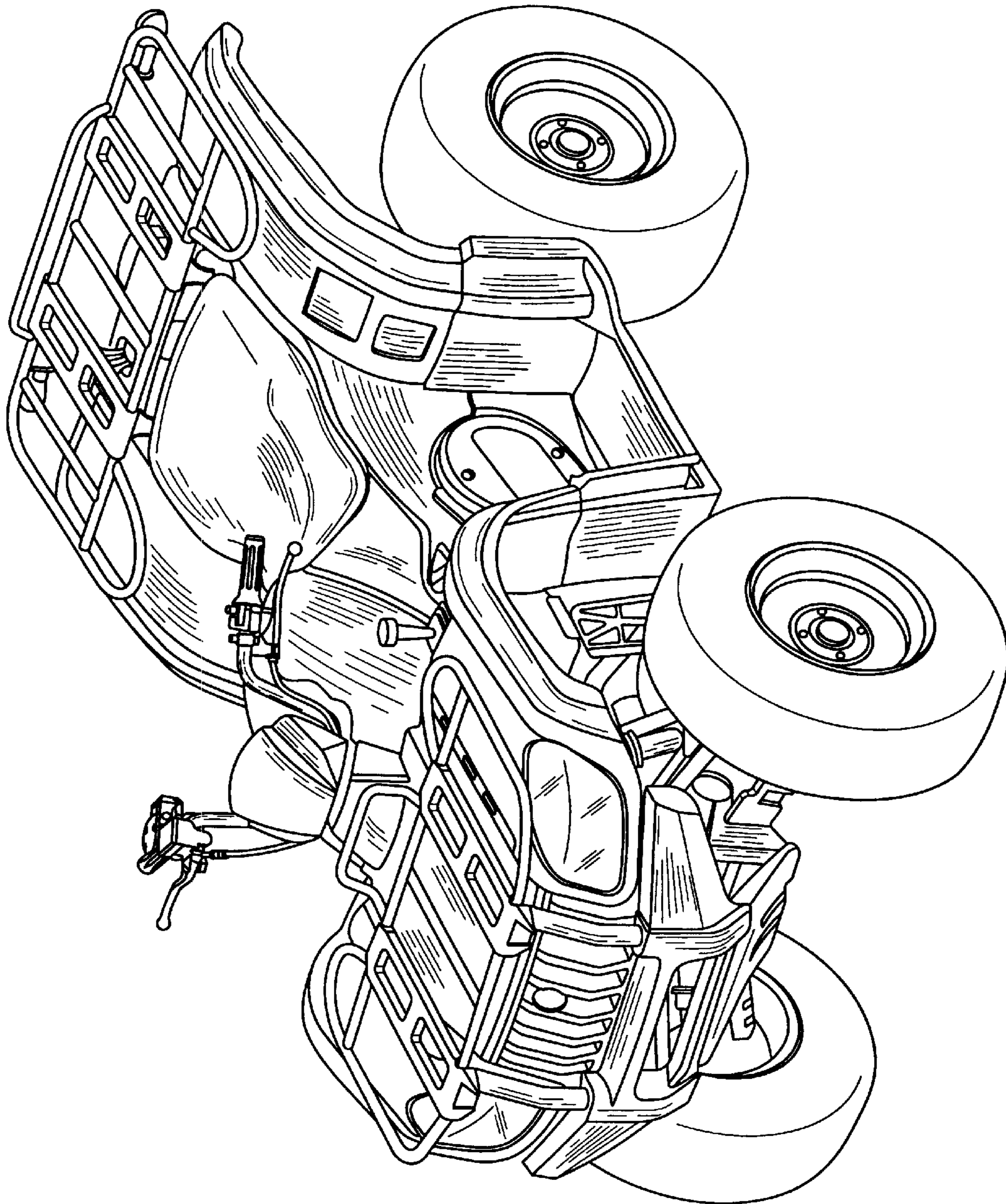


FIG. 7

UNITED STATES PATENT AND TRADEMARK OFFICE
CERTIFICATE OF CORRECTION

PATENT NO. : Des. 542,186 S
APPLICATION NO. : 29/257243
DATED : May 8, 2007
INVENTOR(S) : Lai et al.

Page 1 of 1

It is certified that error appears in the above-identified patent and that said Letters Patent is hereby corrected as shown below:


On the Title Page,

Item (30) Foreign Application Priority Data

October 9, 2005 (CN) "200530138557" should read
--200530138557.3--

Signed and Sealed this

Tenth Day of July, 2007

A handwritten signature in black ink on a light gray dotted background. The signature reads "Jon W. Dudas" in a cursive style.

JON W. DUDAS

Director of the United States Patent and Trademark Office