

US00D542184S

(12) **United States Design Patent**
Van Buuren

(10) **Patent No.:** **US D542,184 S**

(45) **Date of Patent:** **** May 8, 2007**

(54) **SNOWMOBILE COVER**

(75) Inventor: **Darren Van Buuren**, Grassie (CA)

(73) Assignee: **Agri-Plastics Mfg.**, Grassie, Ontario (CA)

(**) Term: **14 Years**

(21) Appl. No.: **29/253,136**

(22) Filed: **Feb. 2, 2006**

(30) **Foreign Application Priority Data**

Sep. 8, 2005 (CA) 112551

(51) **LOC (8) Cl.** **12-10**

(52) **U.S. Cl.** **D12/102**

(58) **Field of Classification Search** D12/101-106;
280/475, 204, 63, 418.6, 656-658, 763.1,
280/47.25; 296/173, 190, 181.2-181.3, 183.1,
296/100.01-100.08

See application file for complete search history.

(56) **References Cited**

U.S. PATENT DOCUMENTS

- D272,996 S * 3/1984 Trabue et al. D12/102
- D313,955 S * 1/1991 van der Merwe et al. . D12/102
- D326,629 S * 6/1992 Holler et al. D12/102
- D367,248 S * 2/1996 Christensen D12/102

- D464,916 S * 10/2002 Golenz et al. D12/102
- D507,208 S * 7/2005 Ulch D12/102
- 6,932,412 B1 * 8/2005 Paproski 296/100.06
- D510,545 S * 10/2005 Riegel et al. D12/102

* cited by examiner

Primary Examiner—Stacia Cadmus

(74) *Attorney, Agent, or Firm*—Robert F. Delbridge

(57) **CLAIM**

The ornamental design for a snowmobile cover, as shown and described.

DESCRIPTION

FIG. 1 is a front and left side perspective view of a snowmobile cover showing my new design;

FIG. 2 is a top plan view thereof;

FIG. 3 is a front elevation view thereof;

FIG. 4 is a rear elevation view thereof;

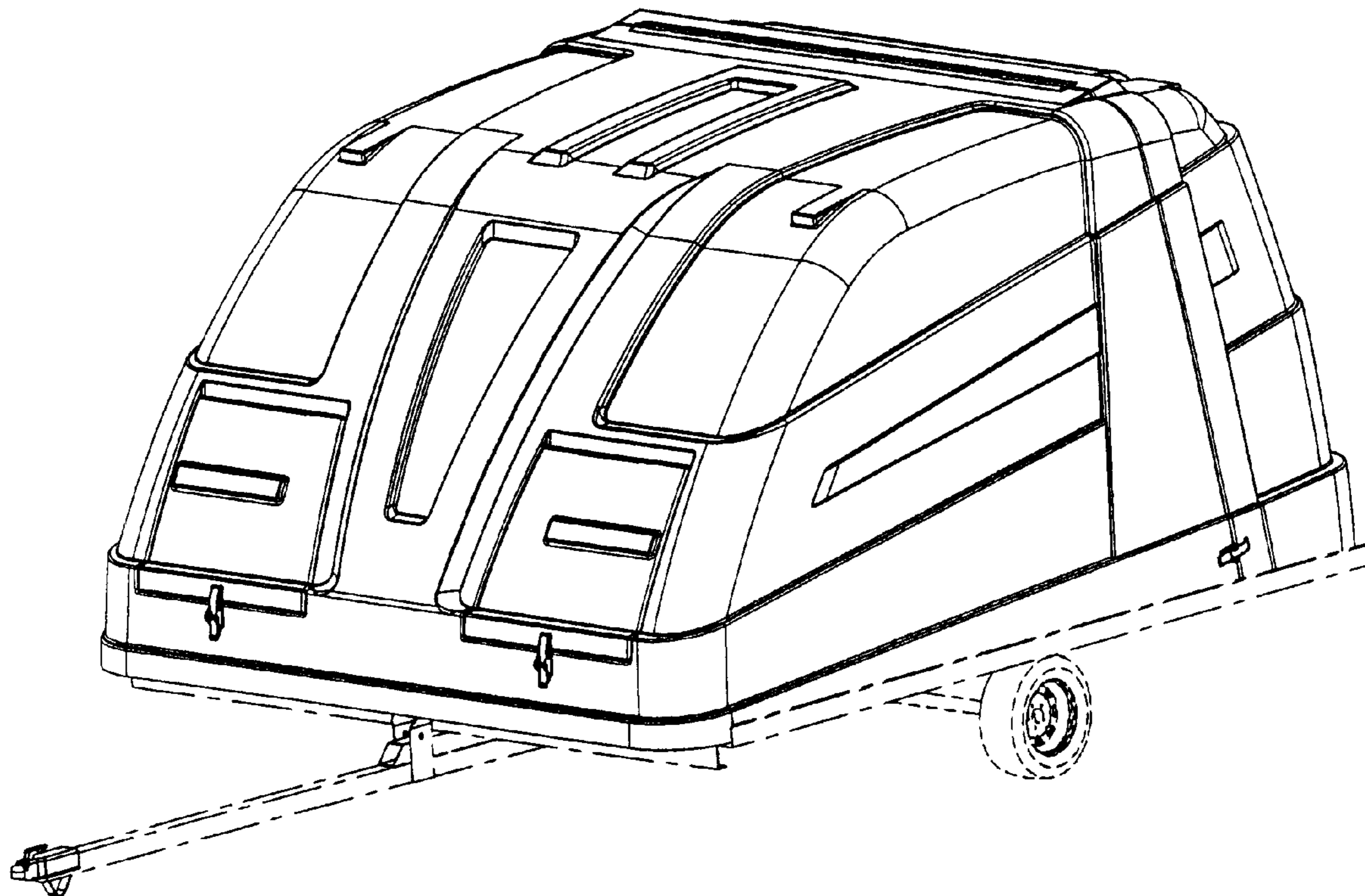
FIG. 5 is a left side elevation thereof, the right side being a mirror image thereof;

FIG. 6 is a front and left side perspective view thereof showing the rear in an elevated position; and,

FIG. 7 is a front and left side perspective view thereof showing front hatches in an elevated position.

The portion of the drawings shown in broken lines indicate surrounding structure which does not form part of the design.

1 Claim, 7 Drawing Sheets



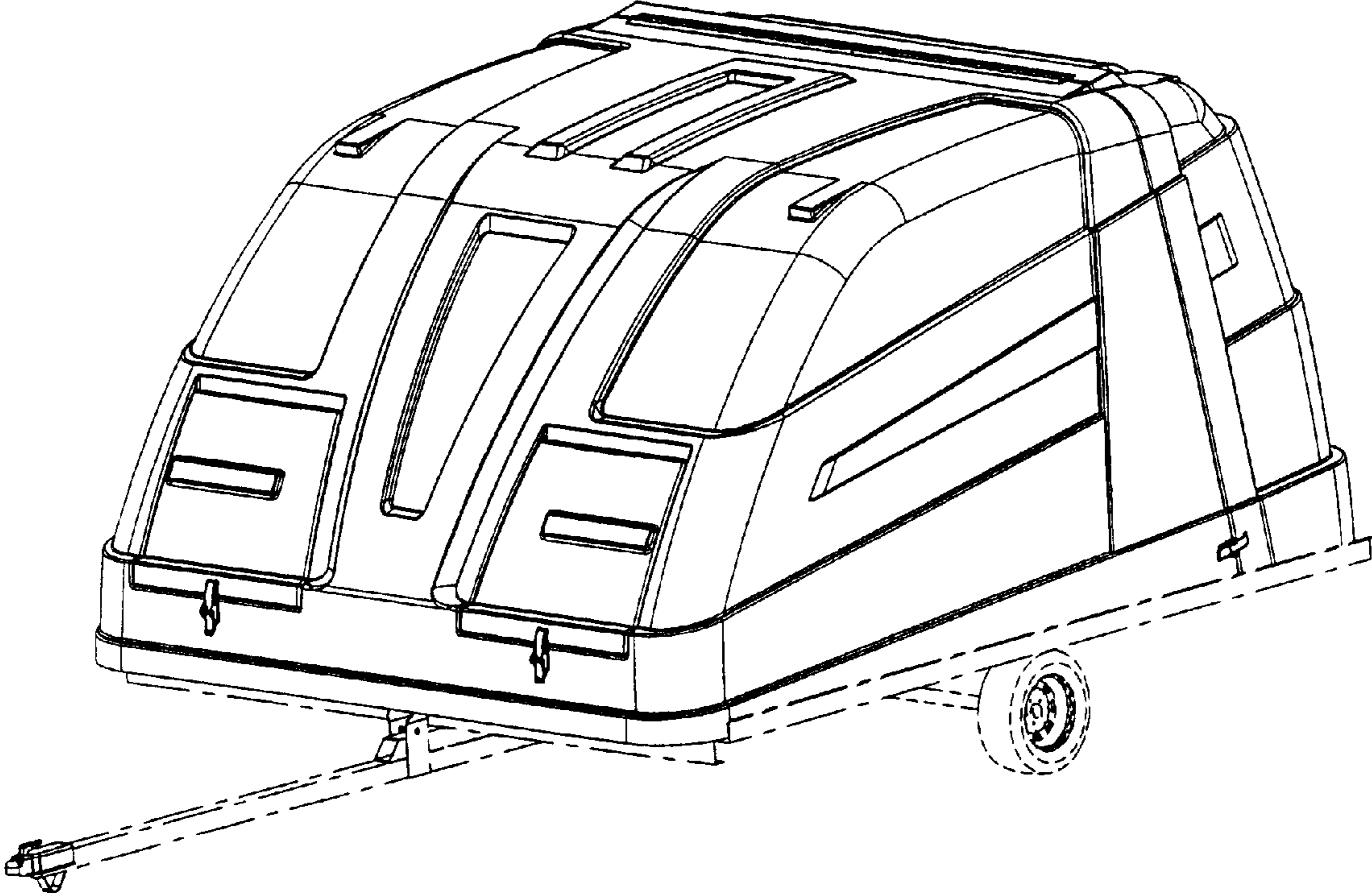


Fig.1

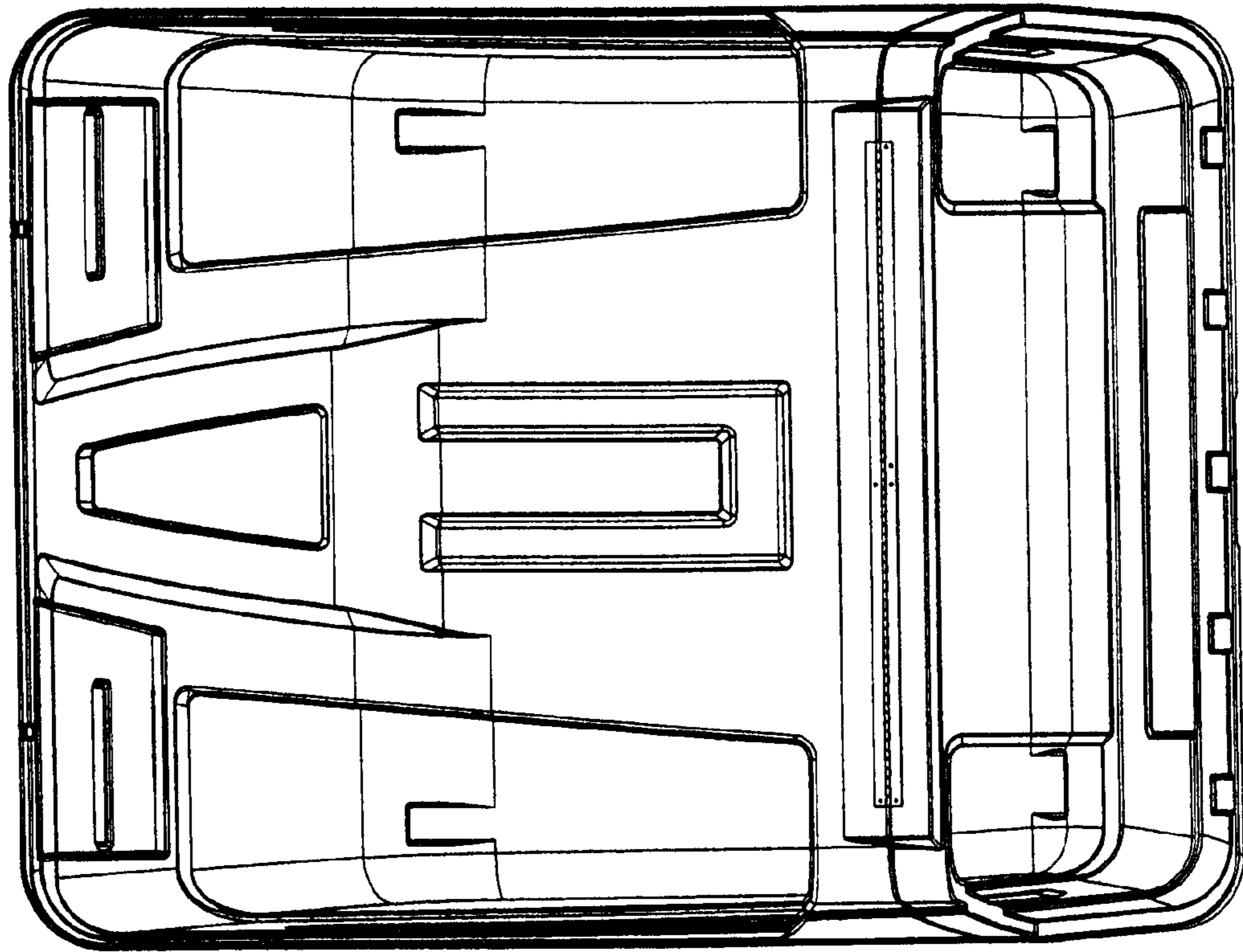


Fig.2

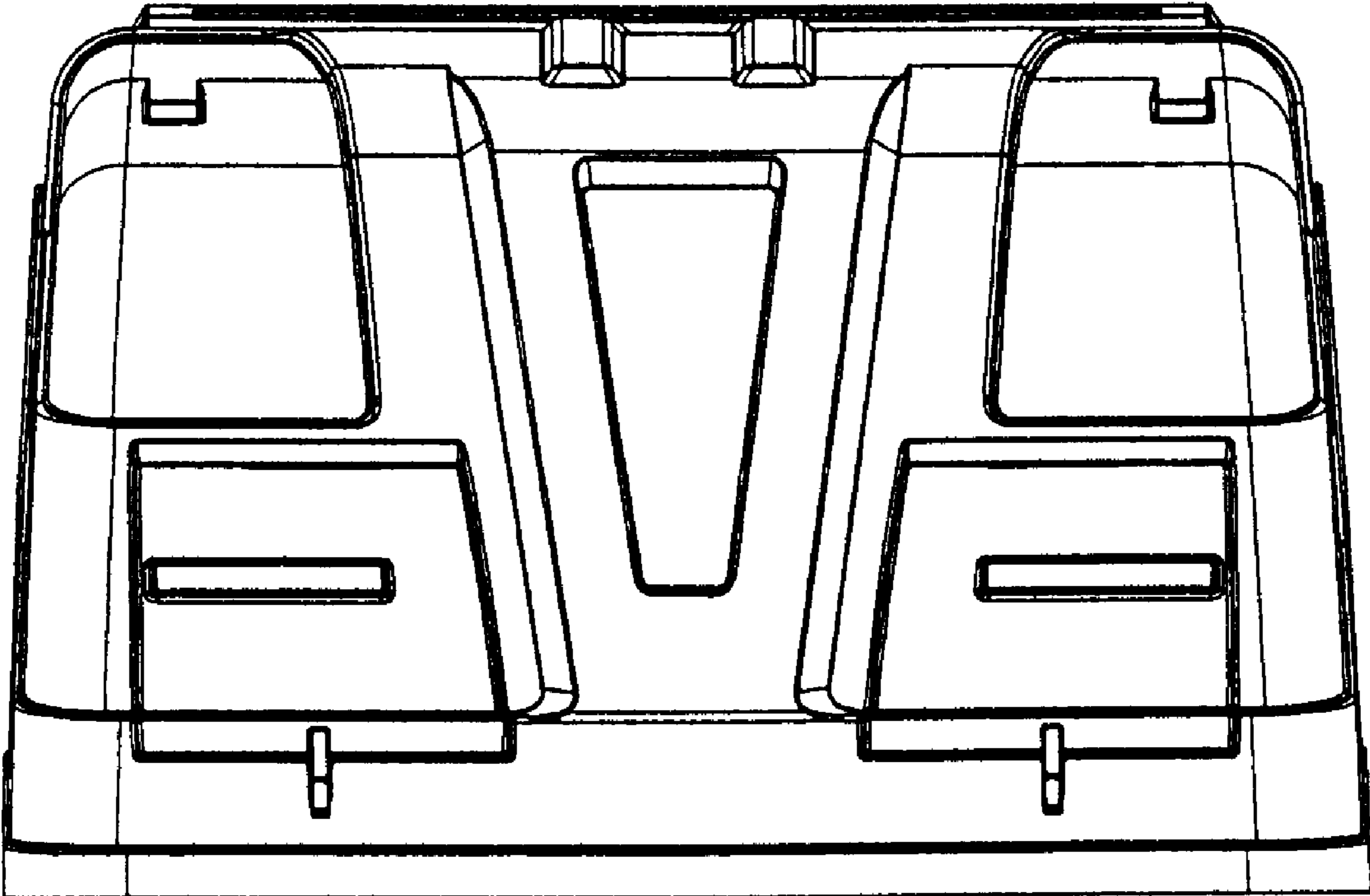


Fig.3

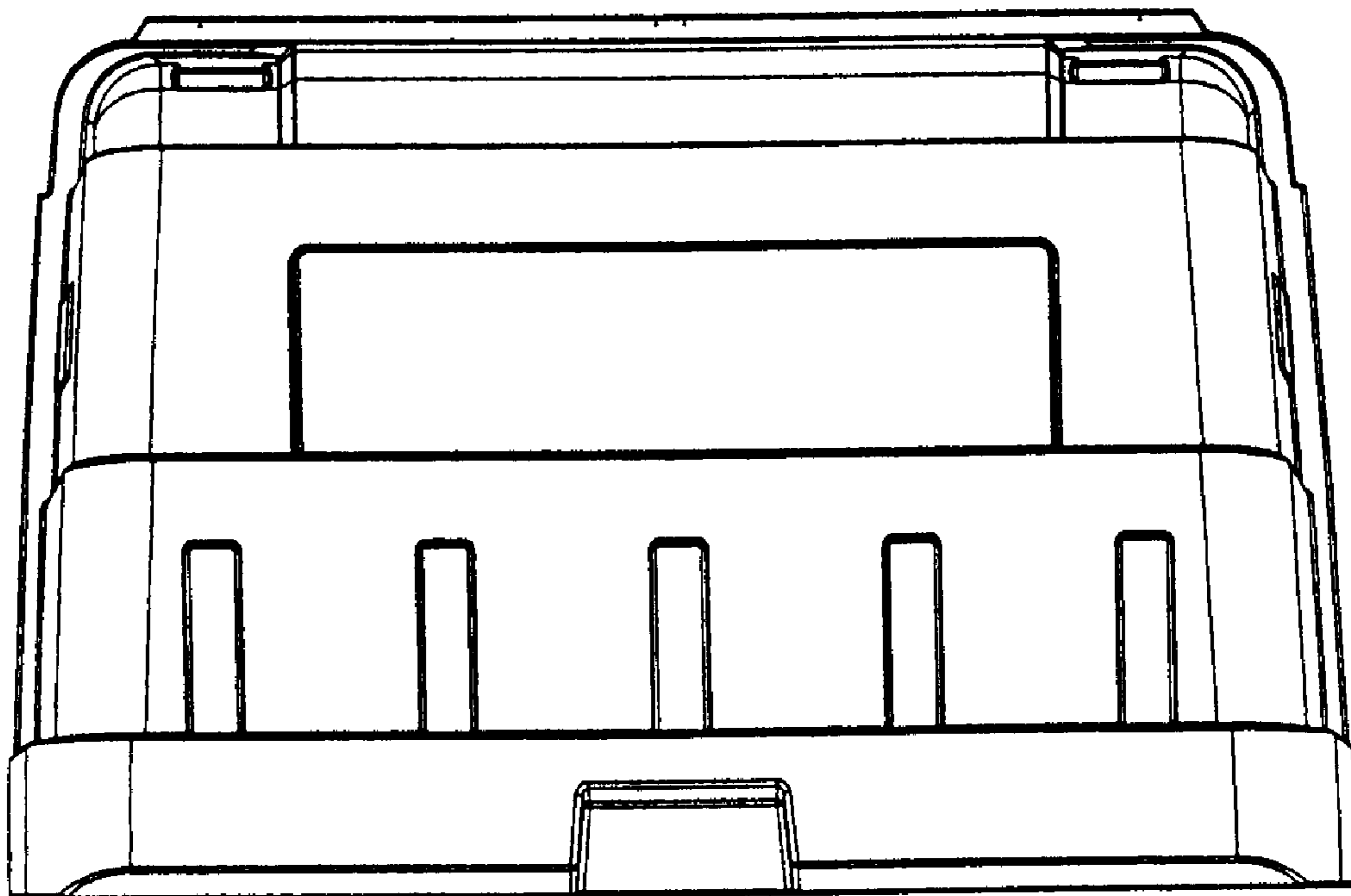


Fig.4

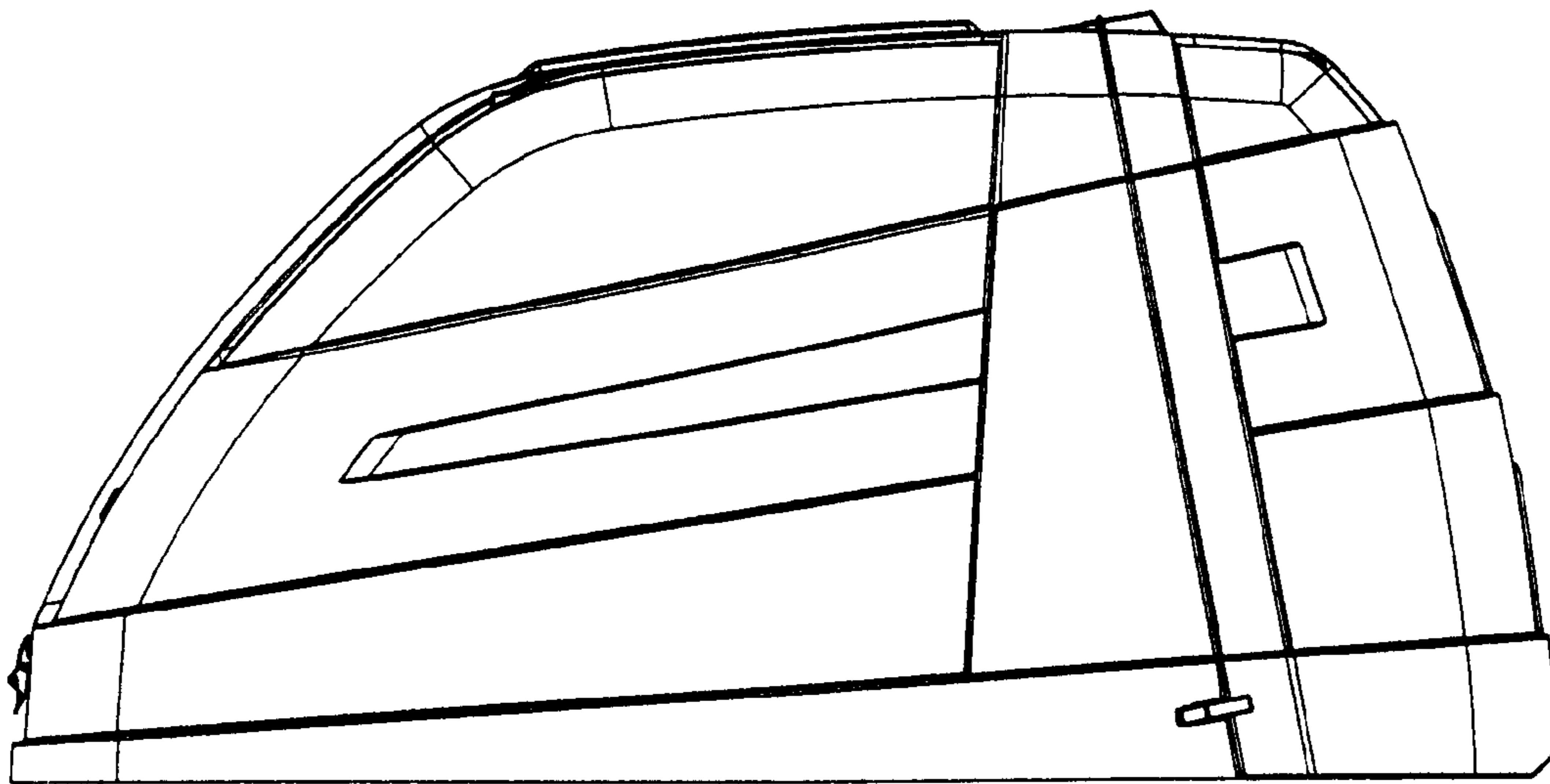


Fig.5

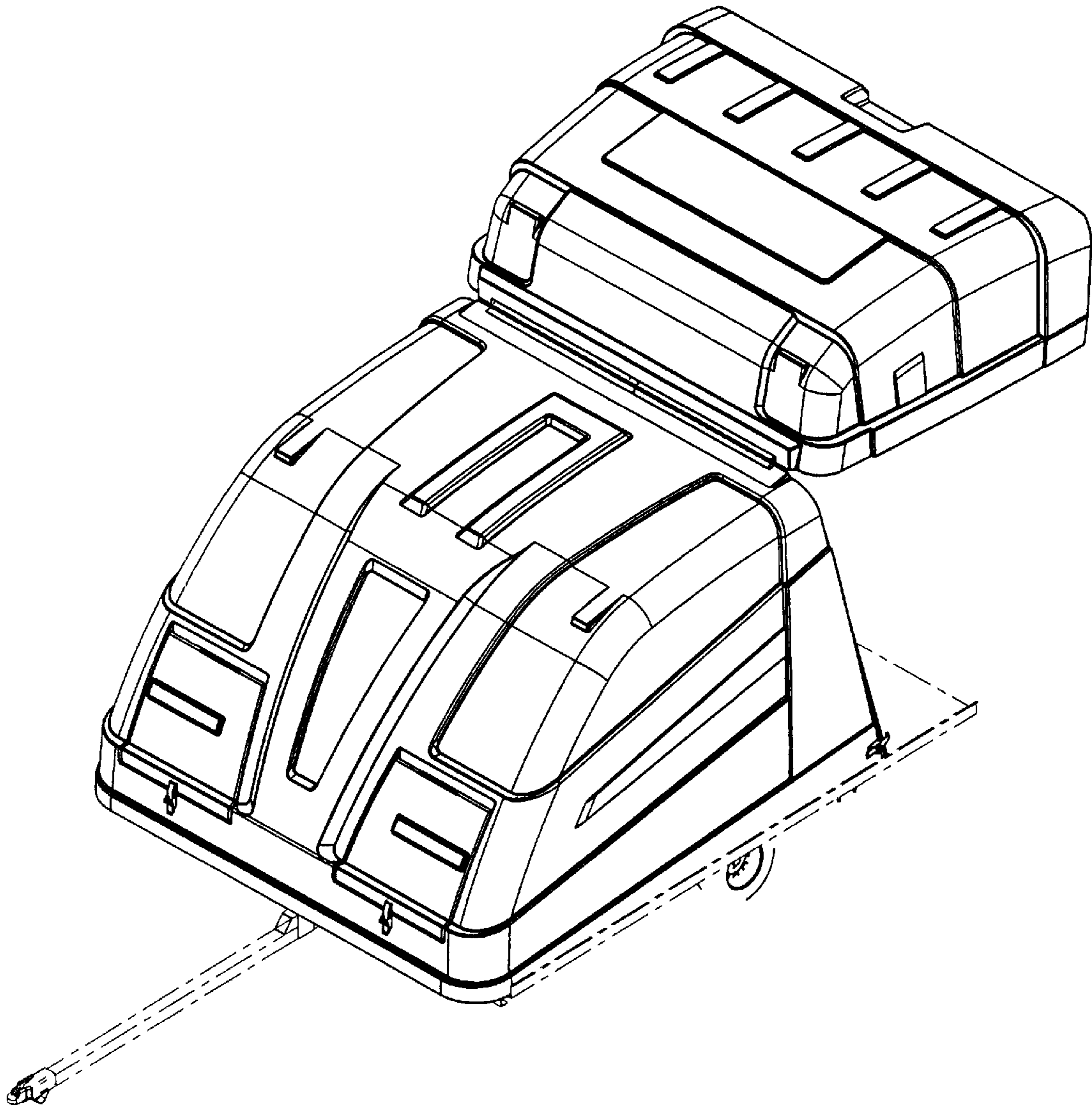


Fig.6

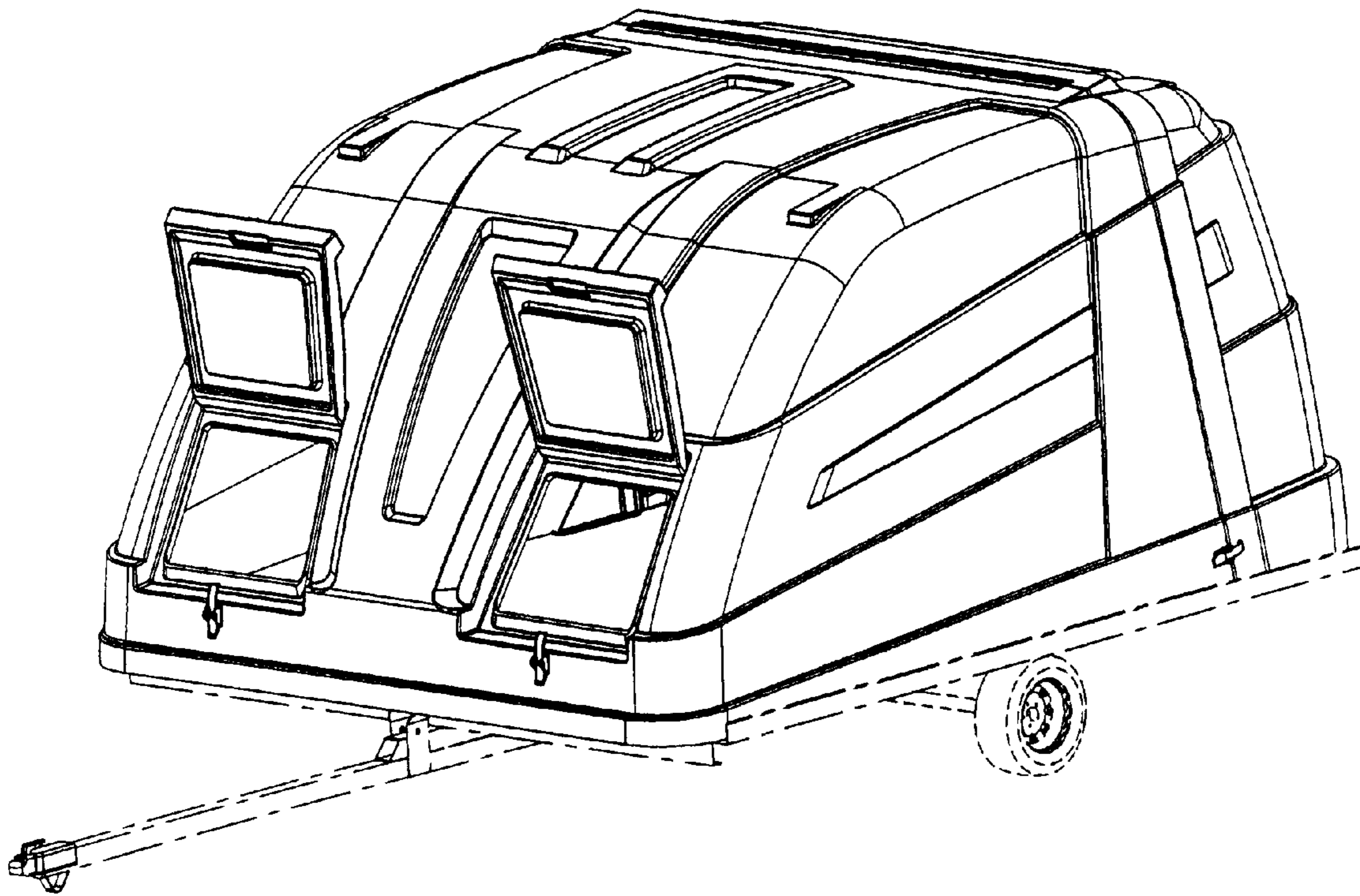


Fig.7