



US00D542183S

(12) **United States Design Patent**
Van Buuren

(10) **Patent No.:** **US D542,183 S**

(45) **Date of Patent:** **** May 8, 2007**

(54) **MOTORCYCLE COVER**

(75) Inventor: **Darren Van Buuren**, Grassie (CA)

(73) Assignee: **Agri-Plastics Mfg.**, Grassie, Ontario (CA)

(**) Term: **14 Years**

(21) Appl. No.: **29/253,135**

(22) Filed: **Feb. 2, 2006**

(30) **Foreign Application Priority Data**

Nov. 14, 2005 (CA) 113533

(51) **LOC (8) Cl.** **12-10**

(52) **U.S. Cl.** **D12/102**

(58) **Field of Classification Search** D12/101-106;
280/475, 204, 63, 418.6, 656-658, 763.1,
280/47.25; 296/173, 190, 181.2-181.3, 183.1,
296/100.01-100.08

See application file for complete search history.

(56) **References Cited**

U.S. PATENT DOCUMENTS

D220,477 S * 4/1971 Johnson D12/102
D257,431 S * 10/1980 Huff D12/102
D326,629 S * 6/1992 Holler et al. D12/102
D378,583 S * 3/1997 Aitken, III D12/102
D464,916 S * 10/2002 Golenz et al. D12/102

D486,096 S * 2/2004 Messmer D12/102
D505,361 S * 5/2005 Arkebauer D12/102
D507,208 S * 7/2005 Ulch D12/102
6,932,412 B1 * 8/2005 Paproski 296/100.06
D510,545 S * 10/2005 Riegel et al. D12/102
D522,920 S * 6/2006 Anderson D12/101

* cited by examiner

Primary Examiner—Stacia Cadmus

(74) *Attorney, Agent, or Firm*—Robert F. DelBridg

(57) **CLAIM**

The ornamental design for a motorcycle cover, as shown and described.

DESCRIPTION

FIG. 1 is a front and left side perspective view of a motorcycle cover showing my new design;

FIG. 2 is a top plan view thereof;

FIG. 3 is a front elevation view thereof;

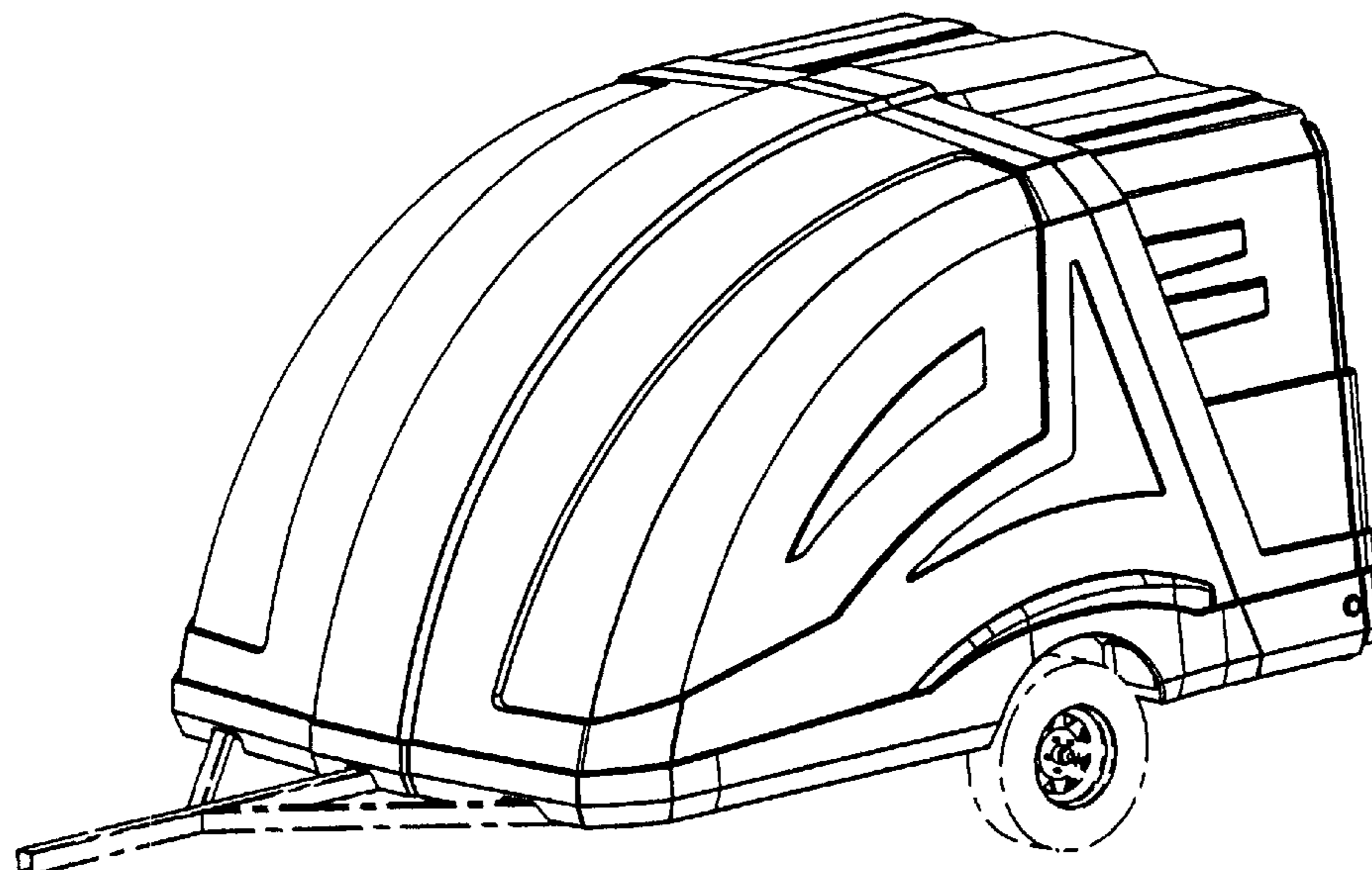
FIG. 4 is a rear elevation view thereof;

FIG. 5 is a left side elevation thereof, the right side being a mirror image thereof; and,

FIG. 6 is a front and left side perspective view thereof showing the rear in a lowered position.

The portion of the drawings shown in broken lines indicate surrounding structure which does not form part of the design.

1 Claim, 6 Drawing Sheets



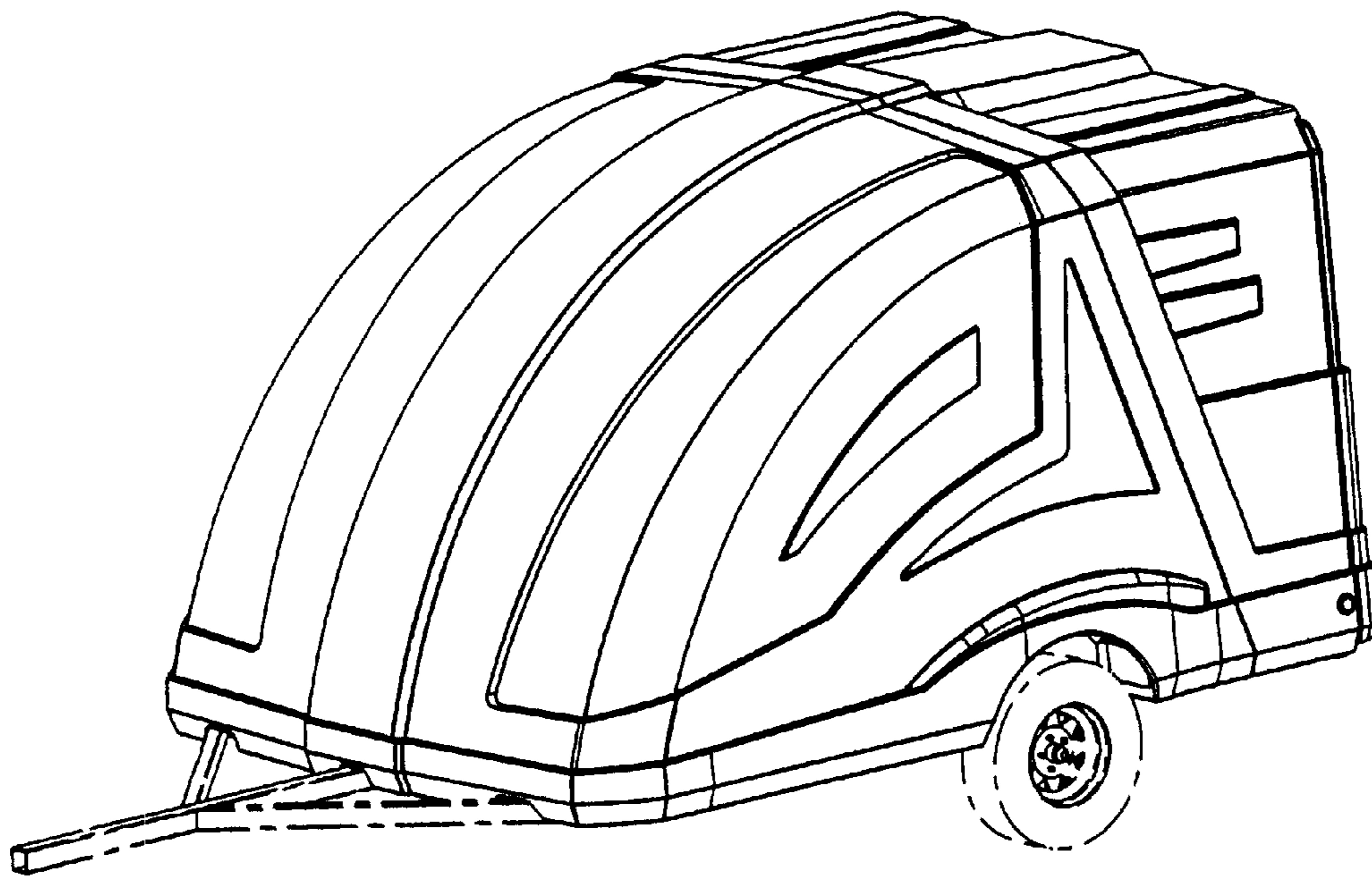


Fig.1

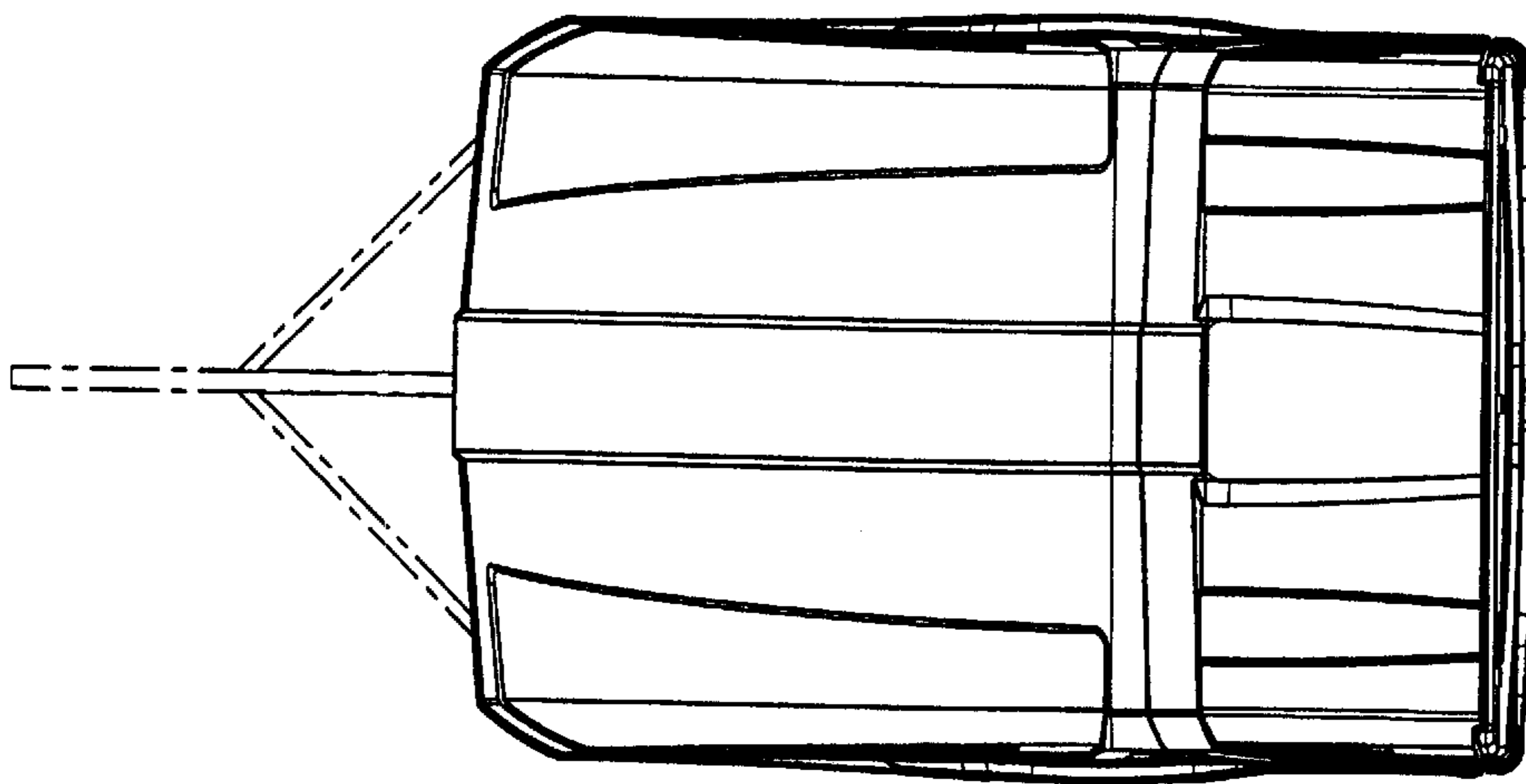


Fig.2

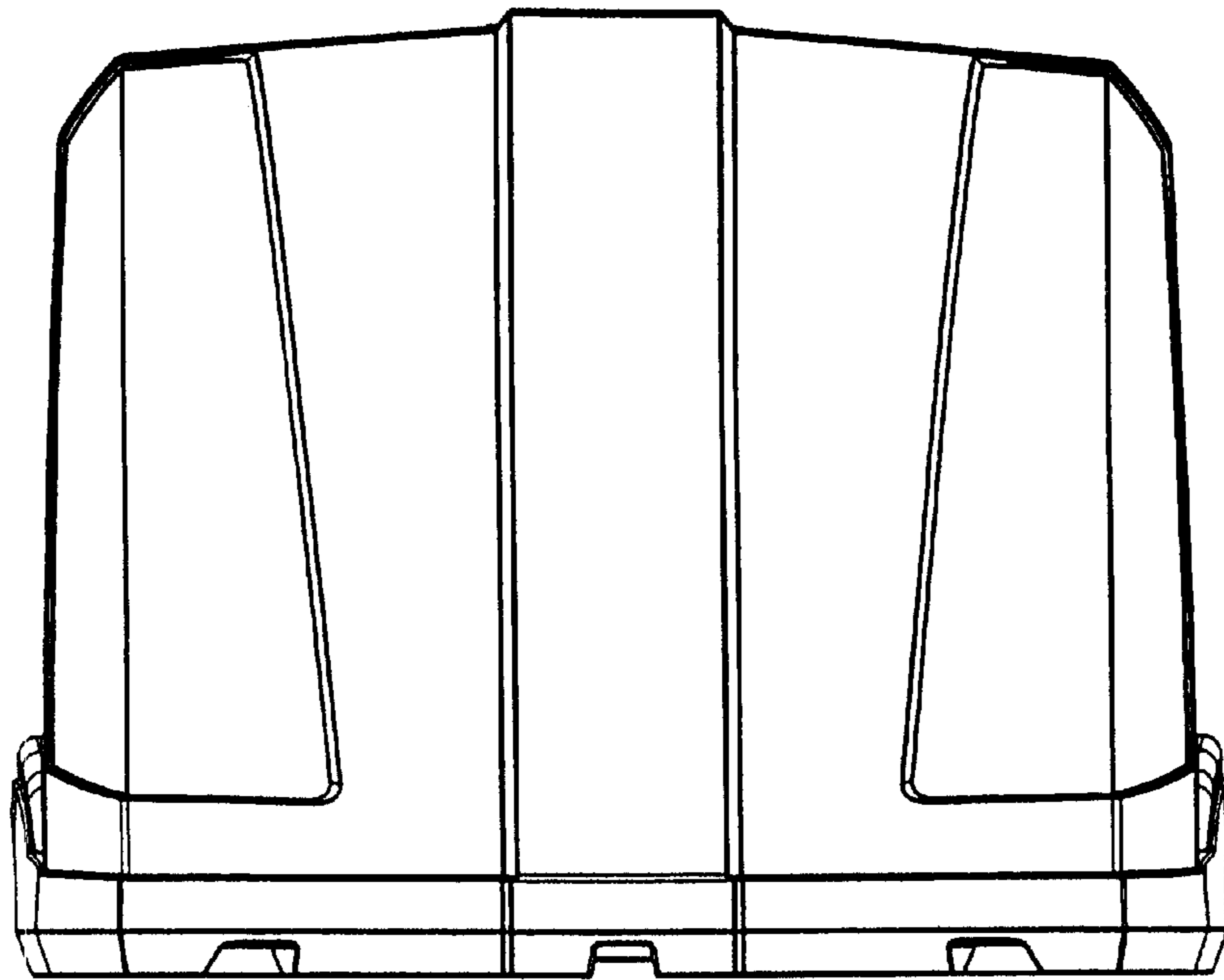


Fig.3

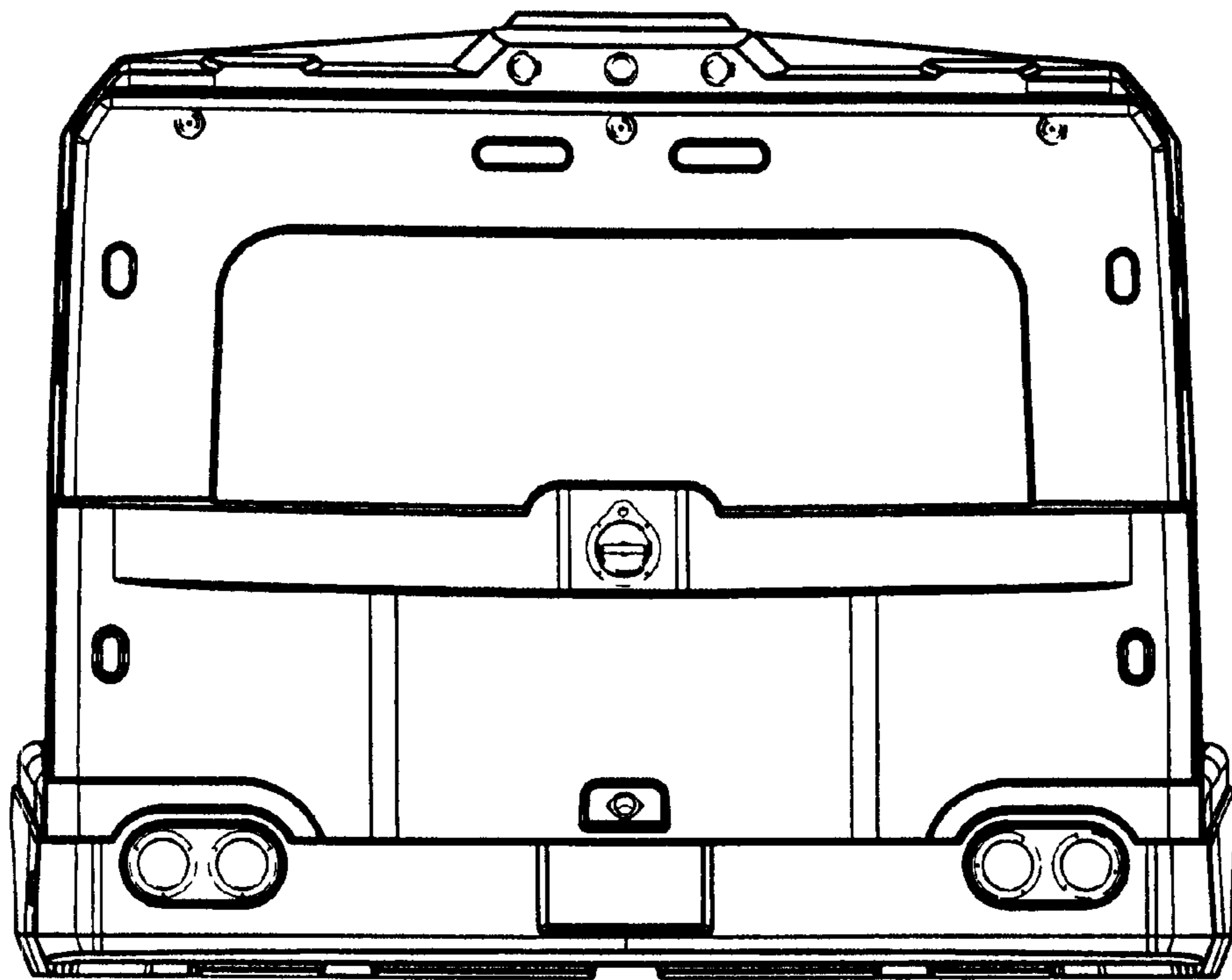


Fig.4

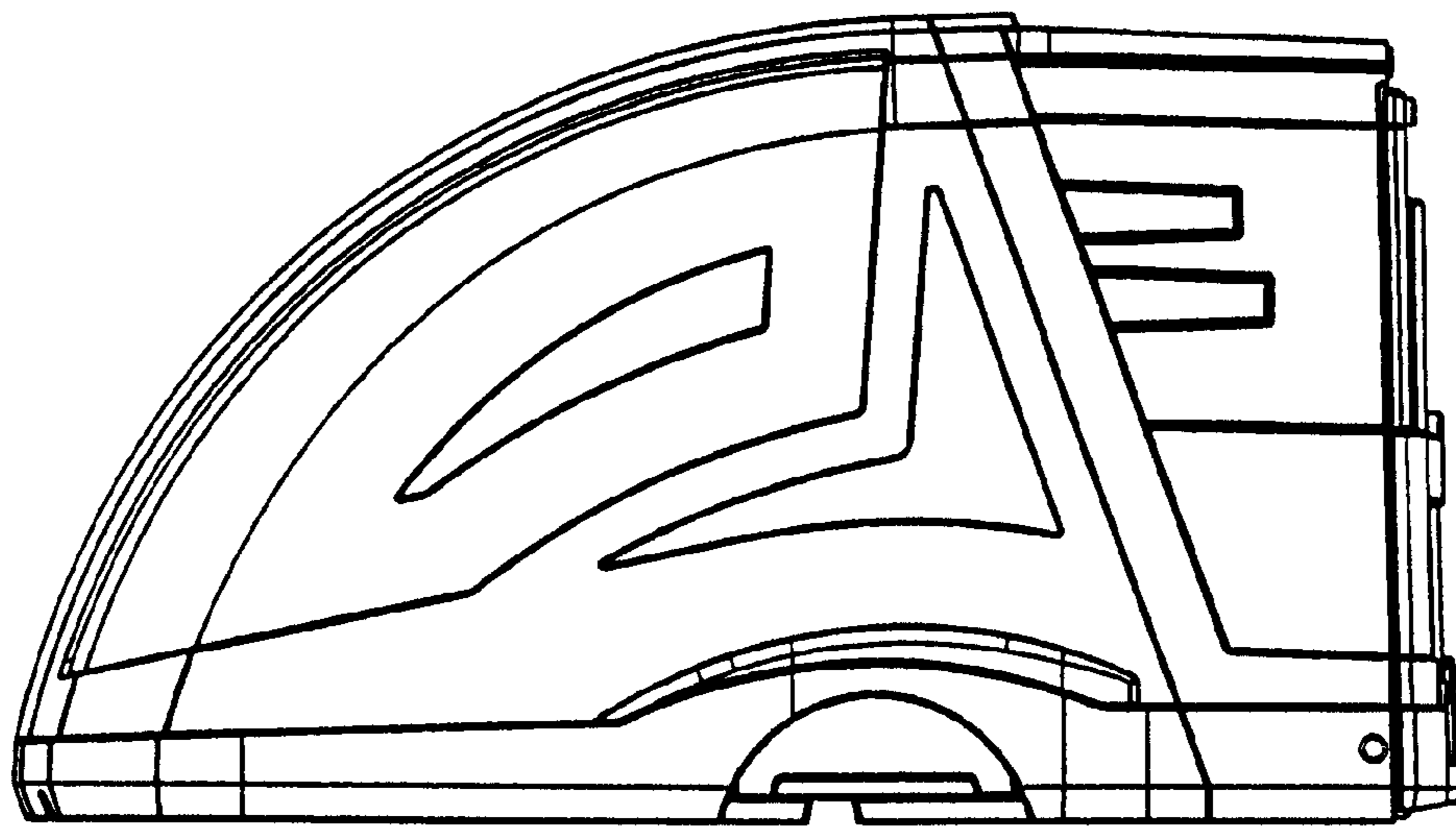


Fig.5

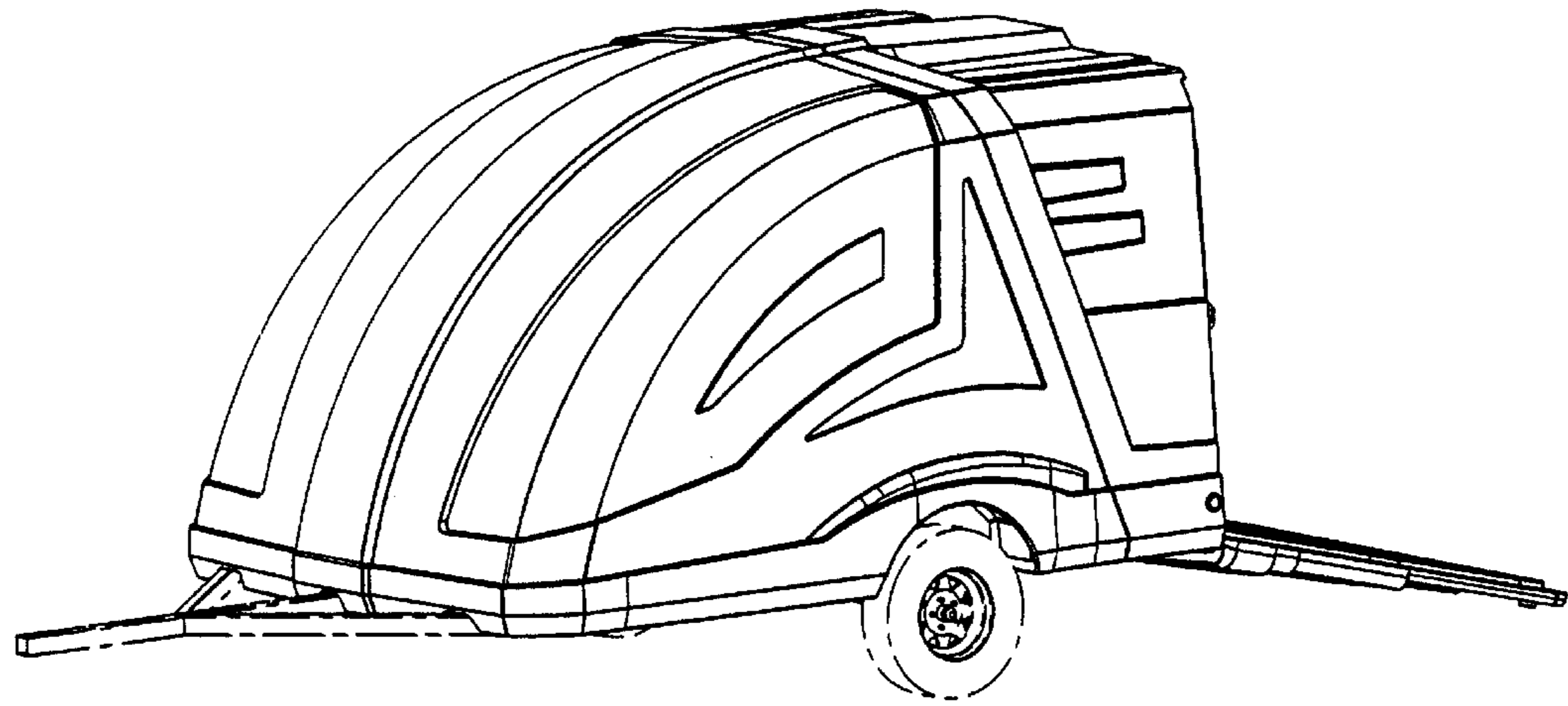


Fig.6