

US00D542157S

(12) **United States Design Patent**
Lafever et al.

(10) **Patent No.:** **US D542,157 S**

(45) **Date of Patent:** **** May 8, 2007**

(54) **COMBINED FLEXIBLE BAND AND CLIP-ON WATCH**

(76) Inventors: **Ronald Lafever**, 340 Cypress Dr., No. 6, Laguna Beach, CA (US) 92651; **William C. Green**, 2036 Norton Rd., Charlotte, NC (US) 28207; **Guy Johnson**, 18101 Von Kaman Ave., Suite 1050, Irvine, CA (US) 92612; **Jon Christopher Lake**, 1212 Navlet Ct., Sunnyvale, CA (US) 94087; **Hiroshi Ono**, 20026 Novate Milanese (MI), Via Buozzi Bruno (IT), 10

(**) Term: **14 Years**

(21) Appl. No.: **29/259,291**

(22) Filed: **May 5, 2006**

(51) **LOC (8) Cl.** **10-02**

(52) **U.S. Cl.** **D10/32**

(58) **Field of Classification Search** D10/30-39;
368/276-278, 281-283, 285, 316, 223, 228,
368/232, 28, 239-242, 21, 82-84; 224/164,
224/170

See application file for complete search history.

(56) **References Cited**

U.S. PATENT DOCUMENTS

D101,076 S	*	9/1936	Wadsworth	D10/39
2,107,176 A	*	2/1938	Dinhofer	368/281
D111,863 S	*	10/1938	Stegeman	D10/38
2,136,625 A	*	11/1938	Lasko	368/316
4,470,708 A	*	9/1984	Nee	368/276
4,742,503 A	*	5/1988	Braun et al.	368/282
D301,985 S	*	7/1989	Benoit-Pequignet et al.	D10/32

4,862,436 A	*	8/1989	Harilela	368/282
D310,035 S	*	8/1990	Braun et al.	D10/32
D351,799 S	*	10/1994	Bulgari	D10/39
D360,142 S	*	7/1995	Polenberg	D10/39
5,699,325 A	*	12/1997	Bach	368/286
D417,158 S	*	11/1999	Krauss	D10/30
6,130,861 A	*	10/2000	Della Felice	368/276
D455,356 S	*	4/2002	Saffer	D10/32
D503,896 S	*	4/2005	Vidal	D10/39
D526,215 S	*	8/2006	Calvani	D10/38

* cited by examiner

Primary Examiner—Lucy Lieberman

(74) *Attorney, Agent, or Firm*—David A. Belasco; Belasco Jacobs & Townsley, LLP

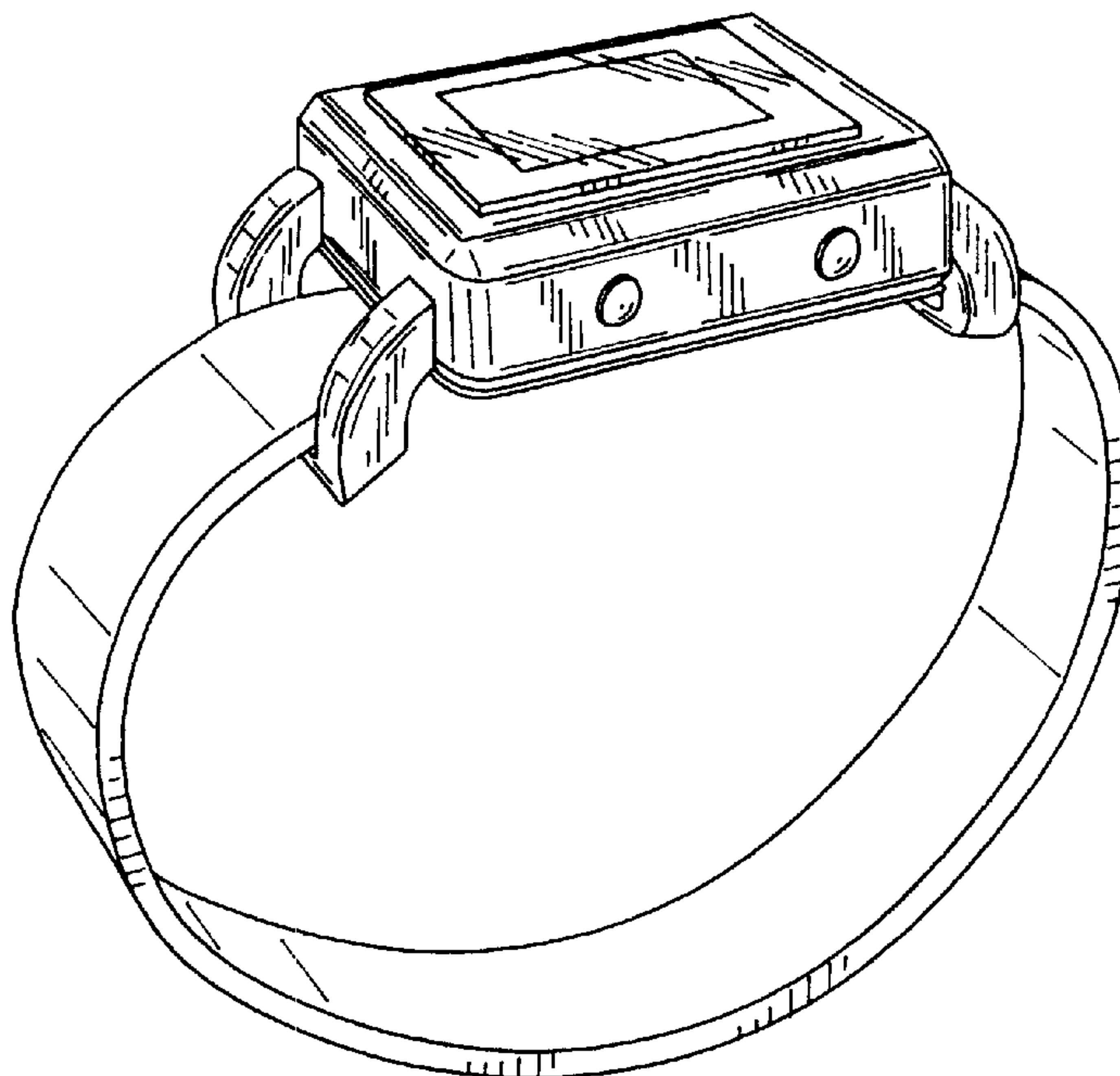
(57) **CLAIM**

The ornamental design for a combined flexible band and clip-on watch, as shown and described.

DESCRIPTION

FIG. 1 is a perspective view of a combined flexible band and clip-on watch showing our new design; FIG. 2 is a top view of the combined flexible band and clip-on watch; FIG. 3 is a right side elevation of the combined flexible band and clip-on watch; FIG. 4 is a rear view of the combined flexible band and clip-on watch; FIG. 5 is a left side elevation of the combined flexible band and clip-on watch; FIG. 6 is a front view of the combined flexible band and clip-on watch; and, FIG. 7 is a bottom view of the combined flexible band and clip-on watch.

1 Claim, 2 Drawing Sheets



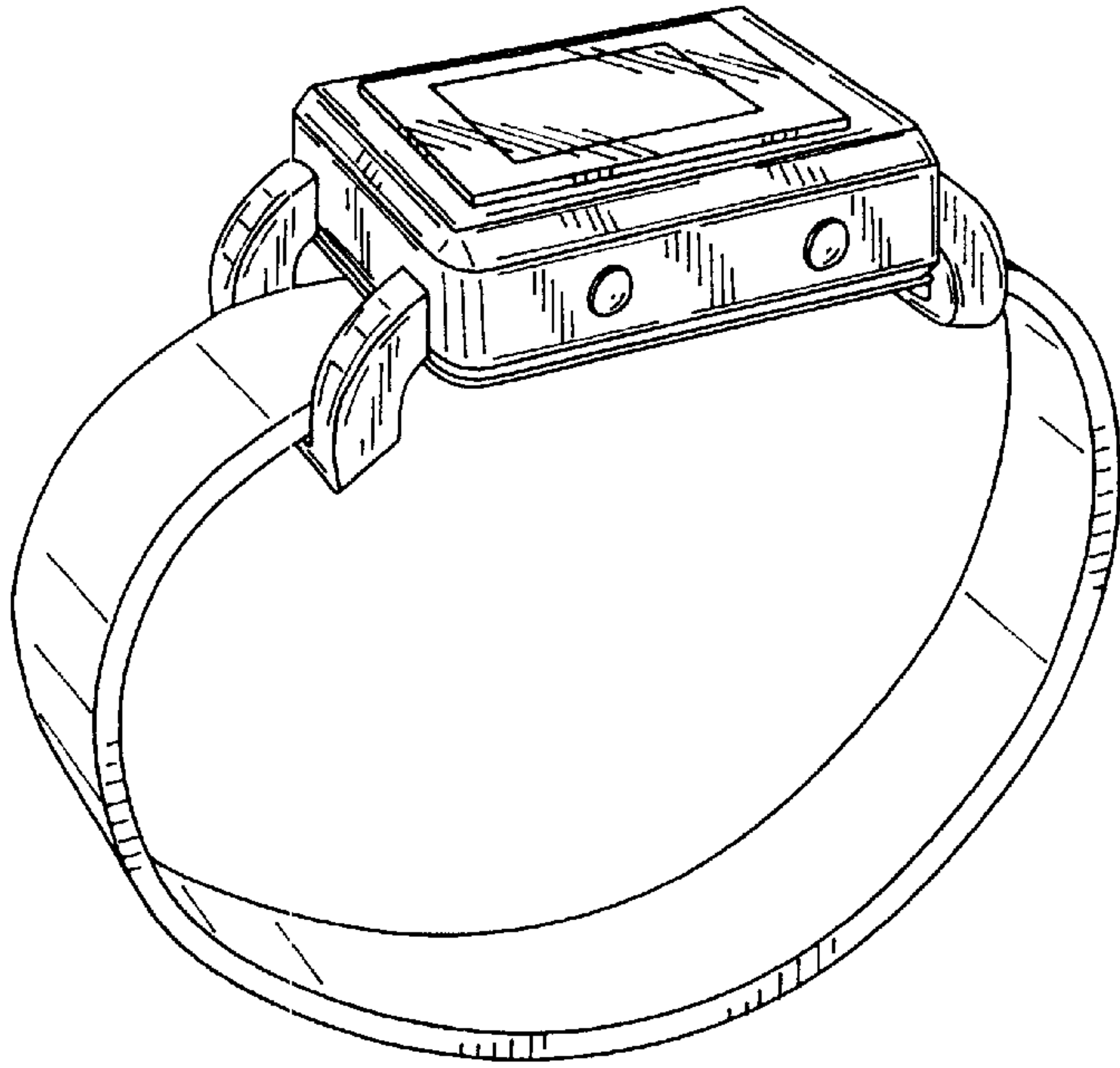


FIG. 1

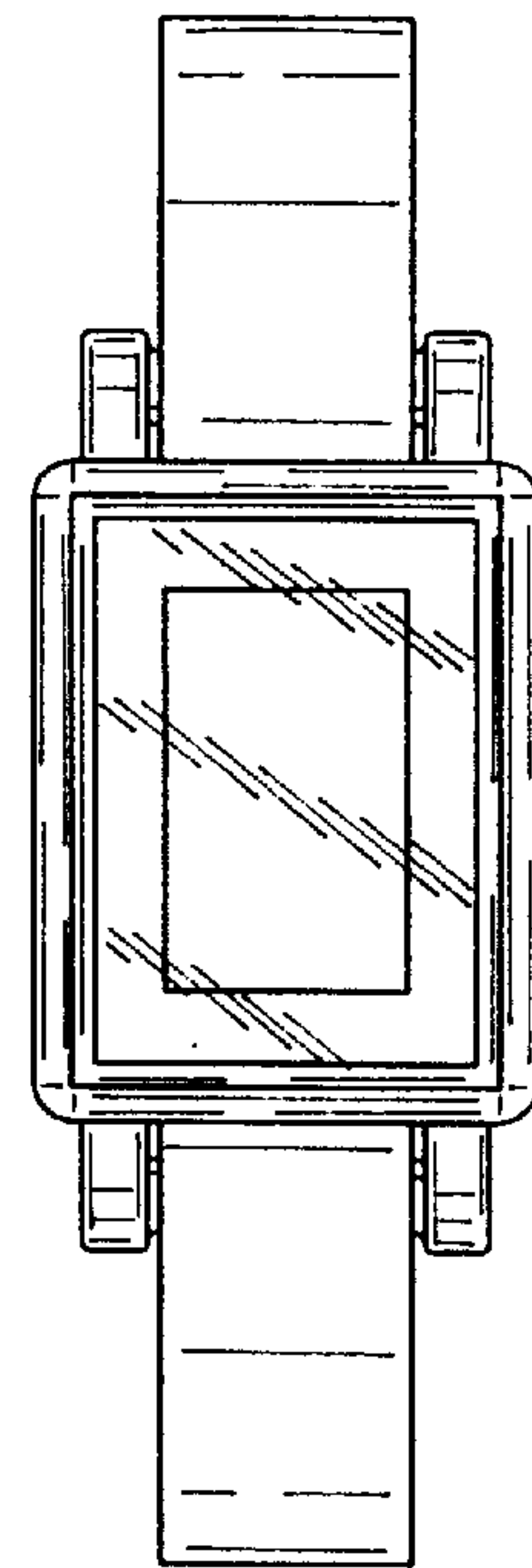


FIG. 2

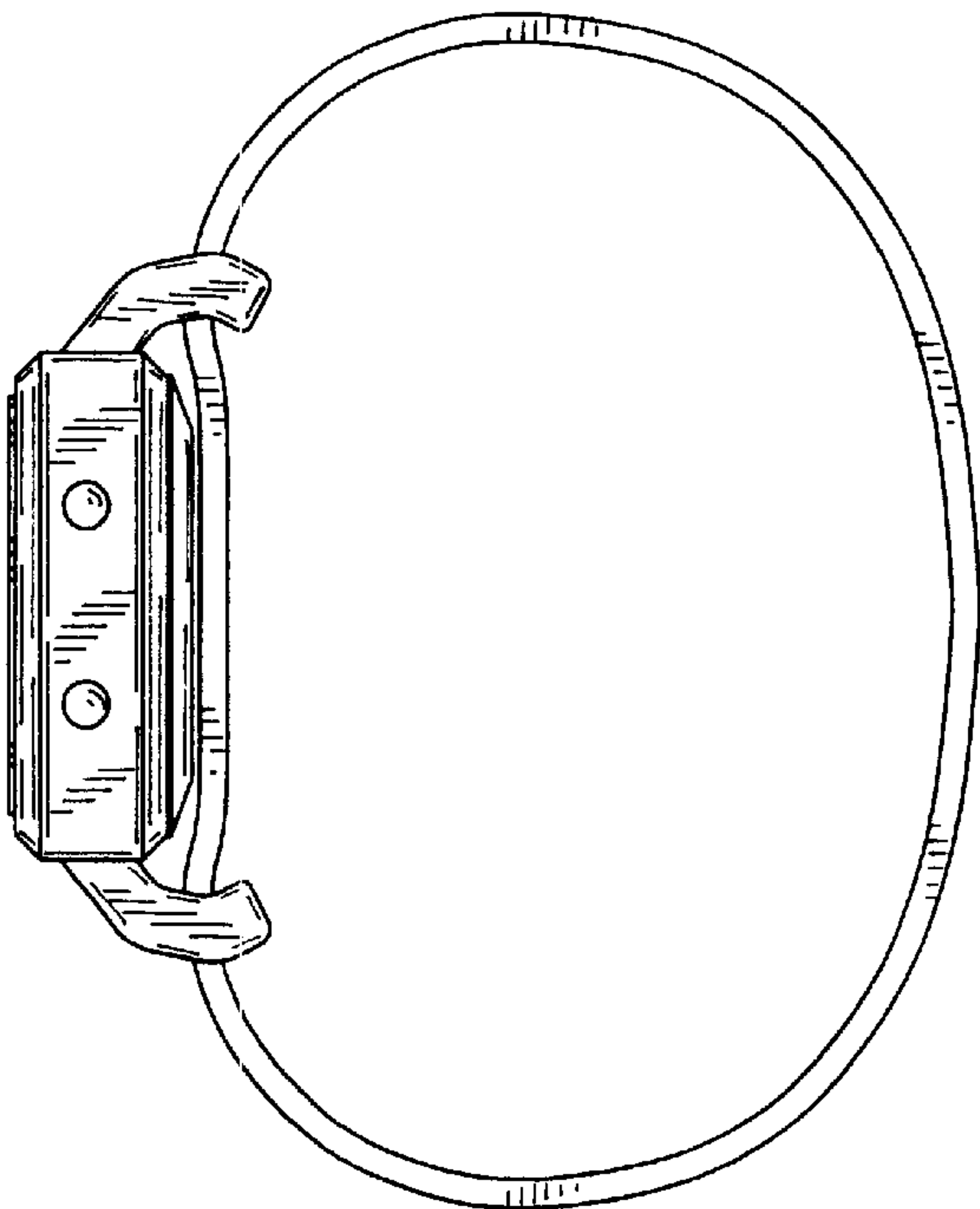


FIG. 3

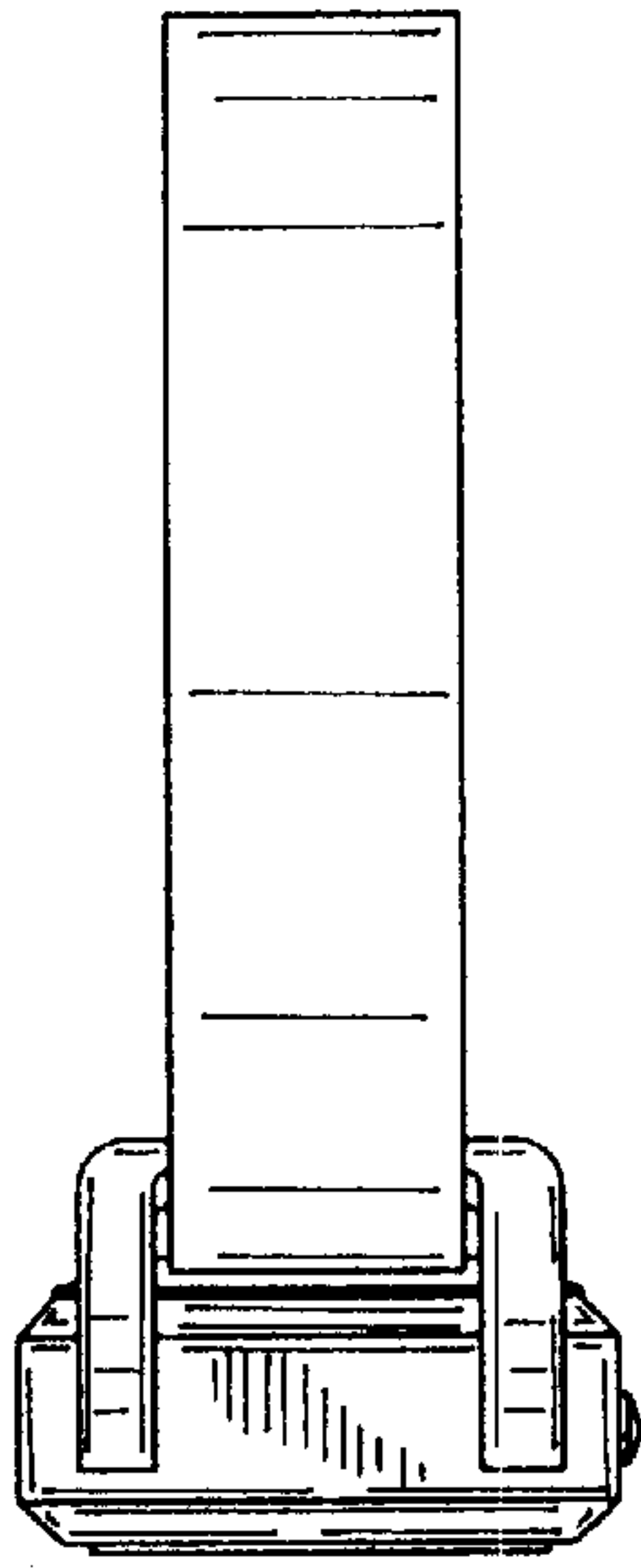


FIG. 4

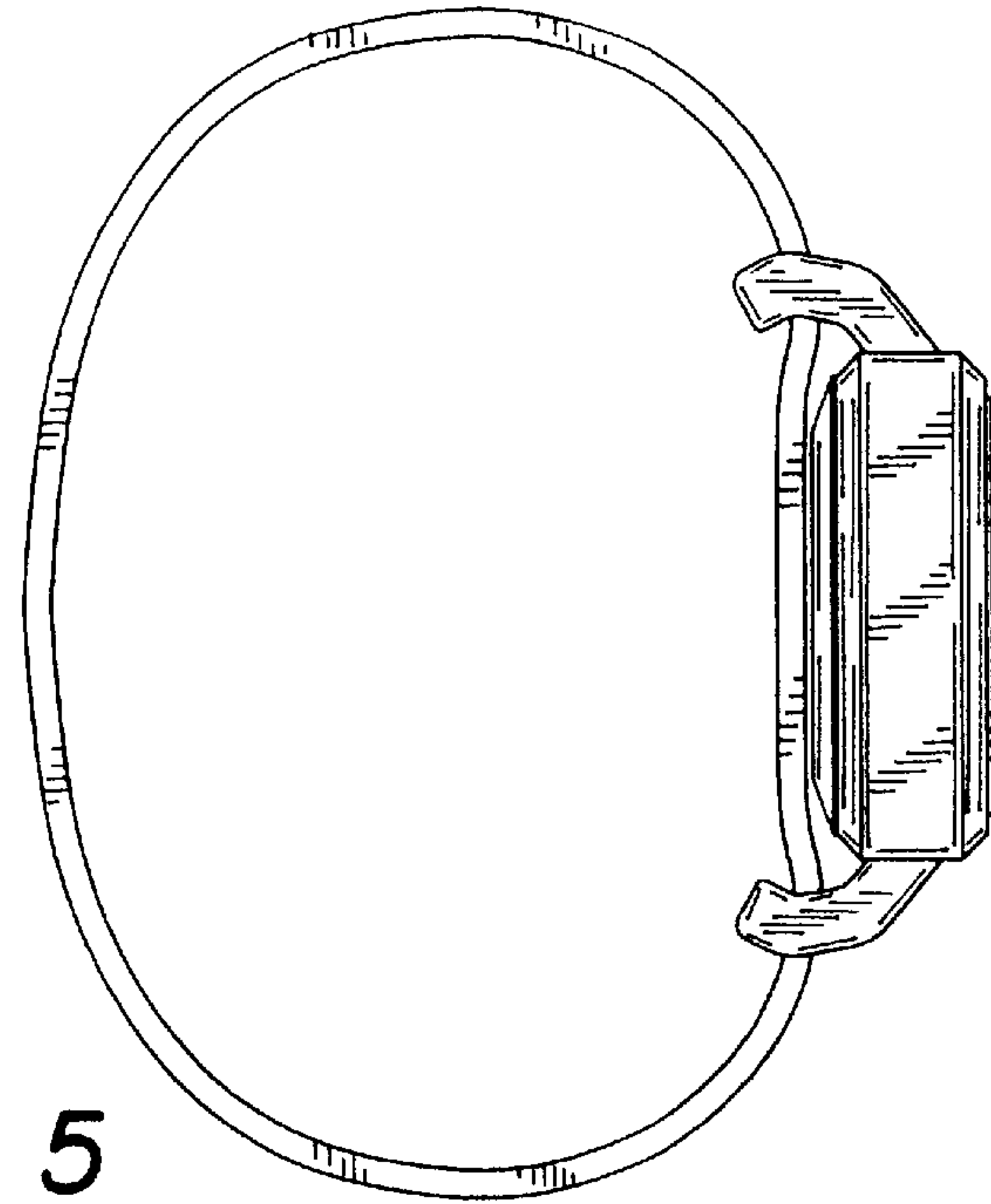


FIG. 5

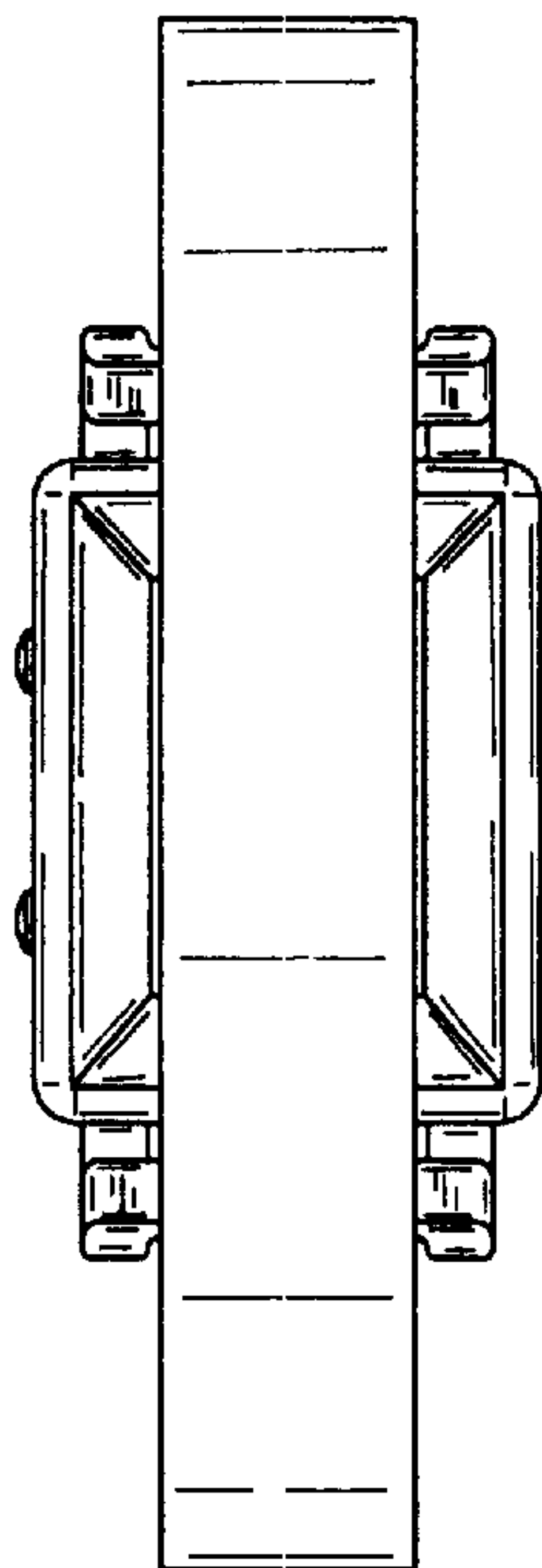


FIG. 7

FIG. 6

