

US00D542154S

(12) **United States Design Patent**  
**Lee**

(10) **Patent No.:** **US D542,154 S**

(45) **Date of Patent:** **\*\* May 8, 2007**

(54) **LIQUID CONTAINER FOR CLOCK**

(74) *Attorney, Agent, or Firm*—Bacon & Thomas PLLC

(76) **Inventor:** **Vincent K. Lee**, 4F., No. 48, Lane 10,  
Chi Fu Rd., Taipei 114 (TW)

(57) **CLAIM**

The ornamental design for a liquid container for clock, as shown and described.

(\*\*) **Term:** **14 Years**

**DESCRIPTION**

(21) **Appl. No.:** **29/224,337**

FIG. 1 is a perspective view of a liquid container for clock in accordance with my design;

(22) **Filed:** **Mar. 2, 2005**

FIG. 2 is a front view thereof;

(51) **LOC (8) Cl.** ..... **10-01**

FIG. 3 is a rear view thereof;

(52) **U.S. Cl.** ..... **D10/24**

FIG. 4 is a side view thereof;

(58) **Field of Classification Search** ..... D10/1-4,  
D10/6-8, 10, 15, 22, 24, 25, 23, 26, 43, 126;  
368/276, 316, 317, 228, 232, 239-242, 10,  
368/179, 180-183

FIG. 5 is a top view thereof, with the bottom view being a mirror image thereof;

See application file for complete search history.

FIG. 6 is a sectional view thereof taken along line 6-6 of FIG. 2, showing the recess portion thereof;

(56) **References Cited**

FIG. 7 is a perspective view thereof showing my design filled with a liquid, and showing a floating adornment; and,

**U.S. PATENT DOCUMENTS**

FIG. 8 is a perspective view thereof showing my design with a mounted clock.

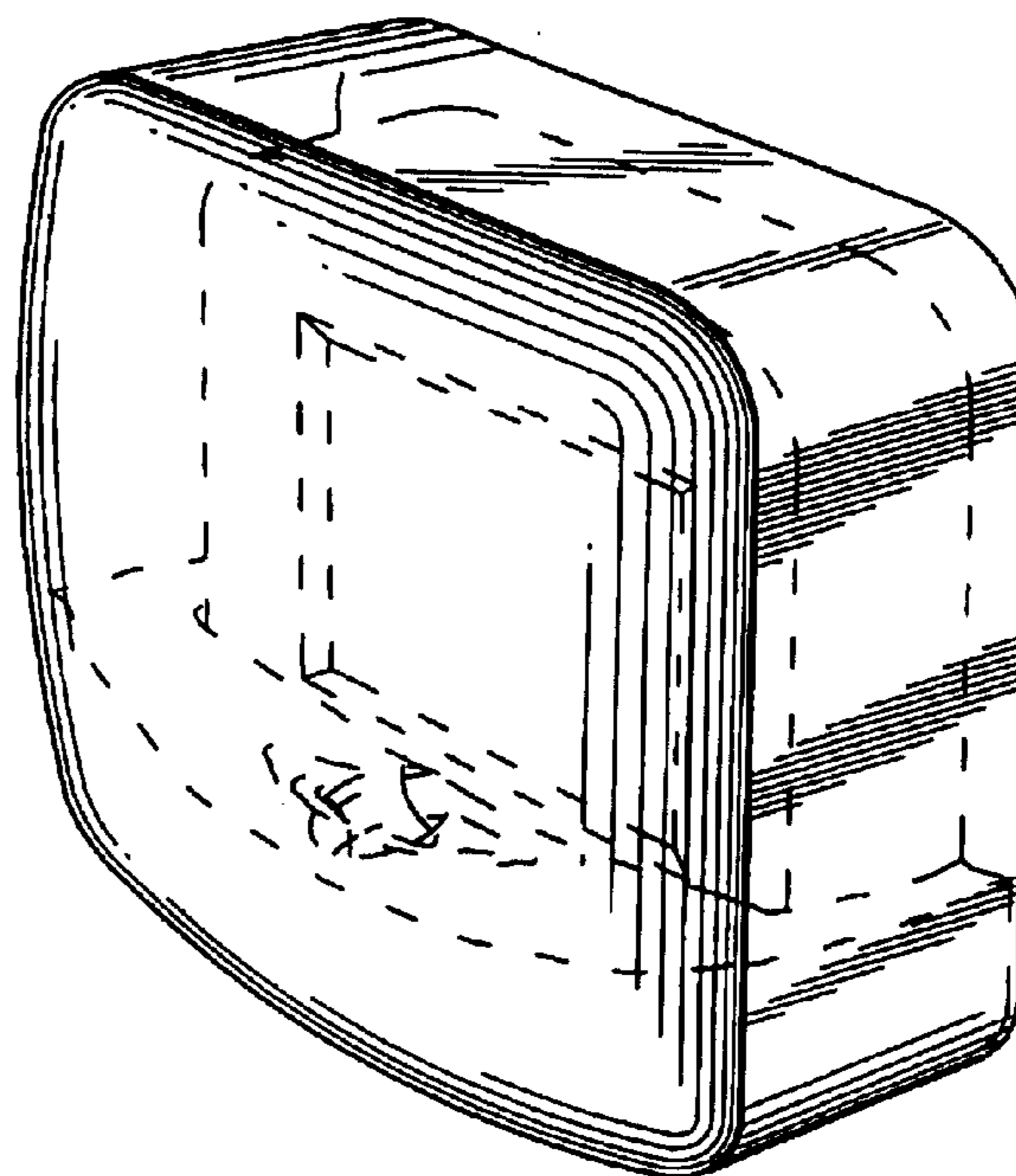
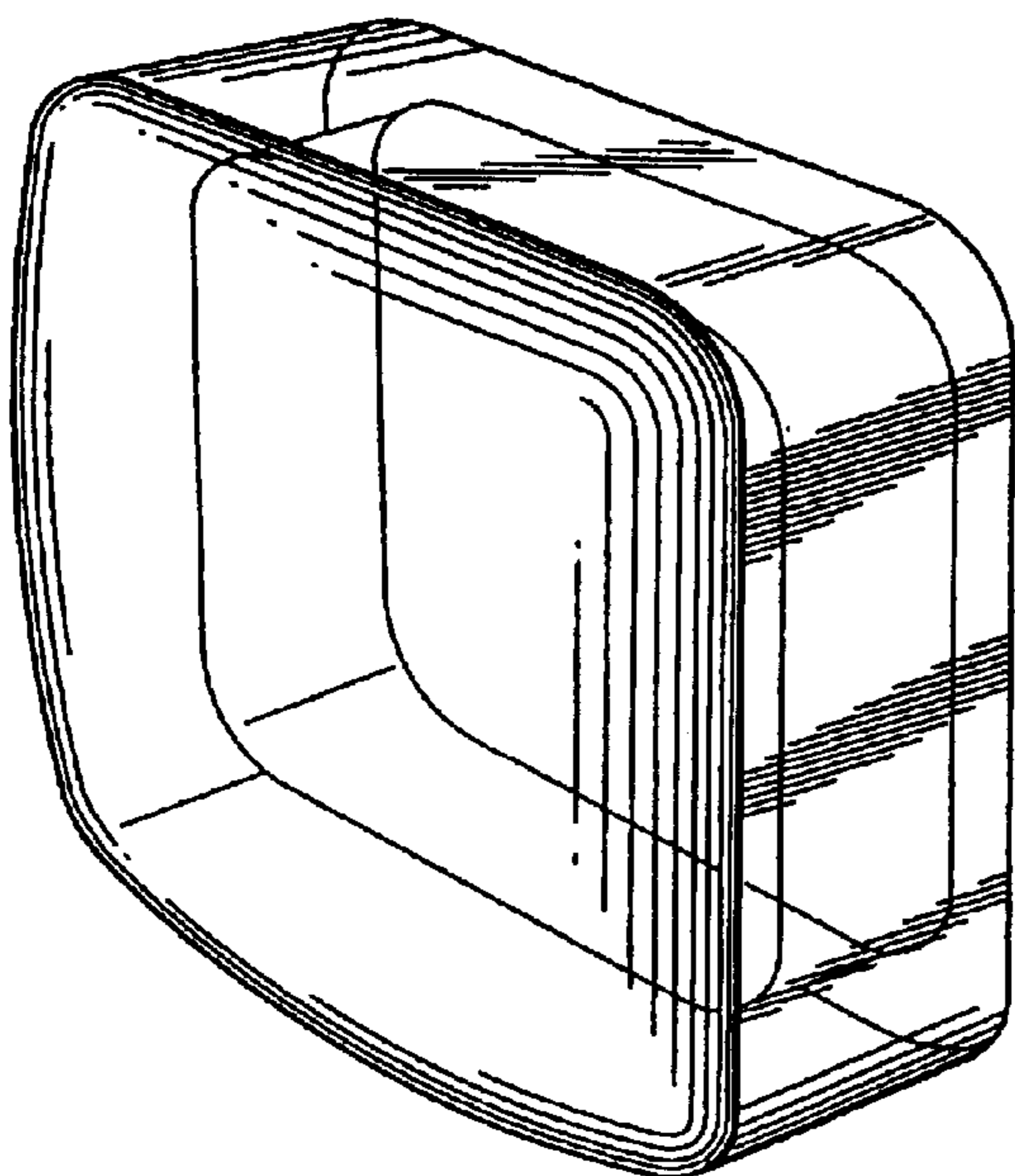
D258,870 S \* 4/1981 Miller ..... D10/1  
D322,034 S \* 12/1991 Kumazawa ..... D10/6  
6,438,072 B1 \* 8/2002 Tsai ..... 368/228

The broken line showing of liquid, a floating element, and a clock are included for the purpose of illustrating environmental subject matter and forms no part of the claimed design.

\* cited by examiner

*Primary Examiner*—Caron D. Veynar  
*Assistant Examiner*—George D. Kirschbaum, Jr.

**1 Claim, 6 Drawing Sheets**



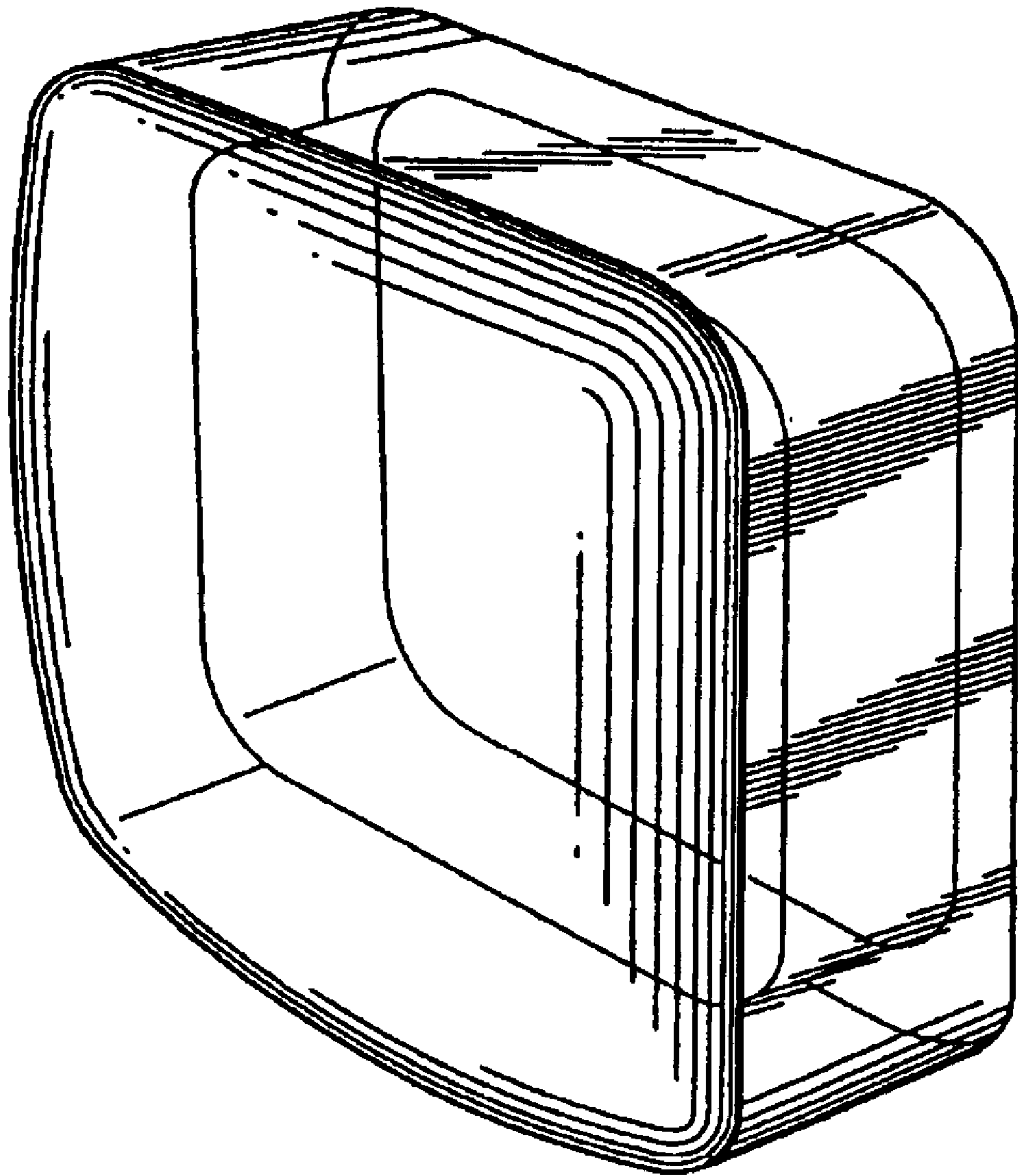


FIG. 1

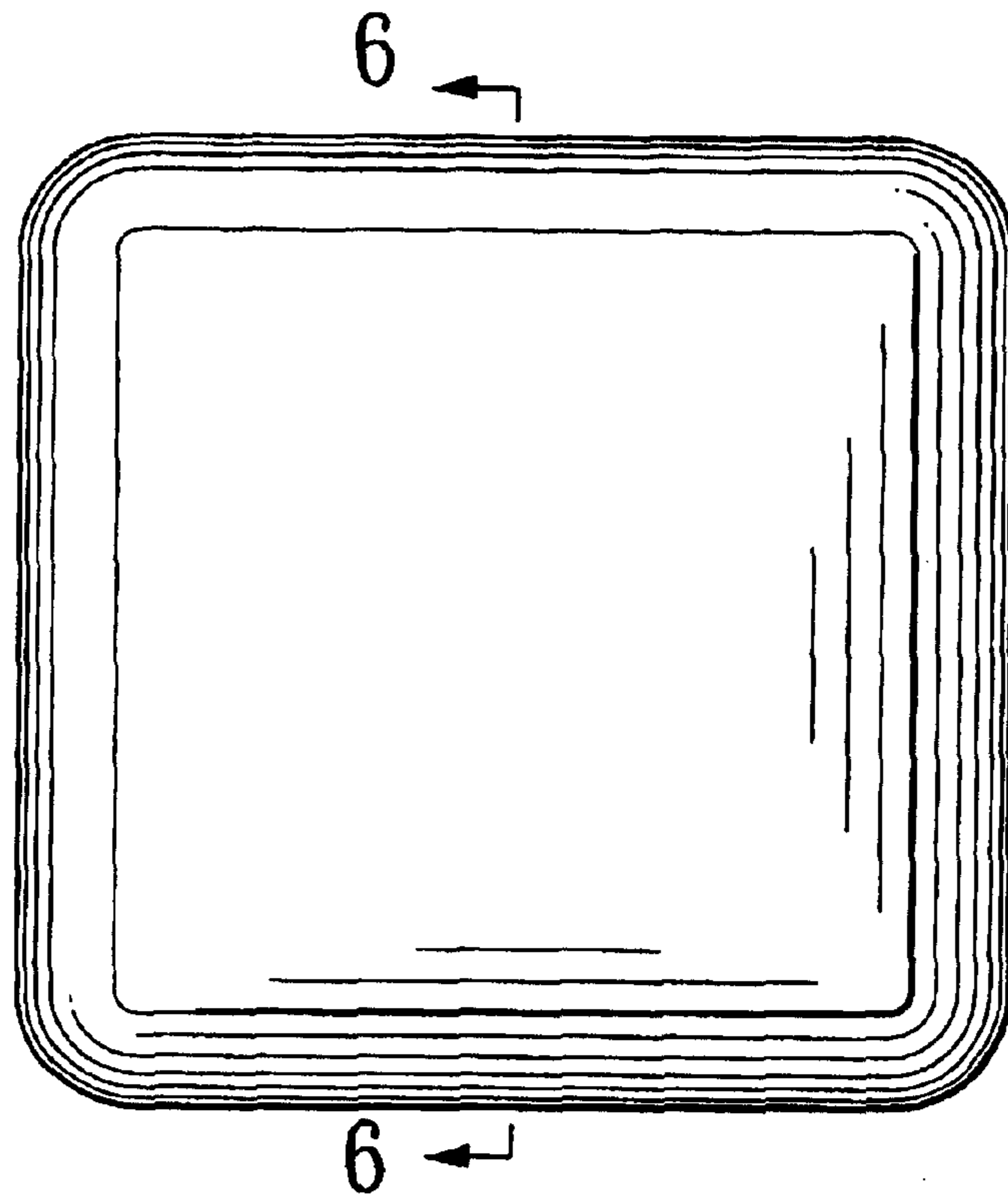


FIG. 2

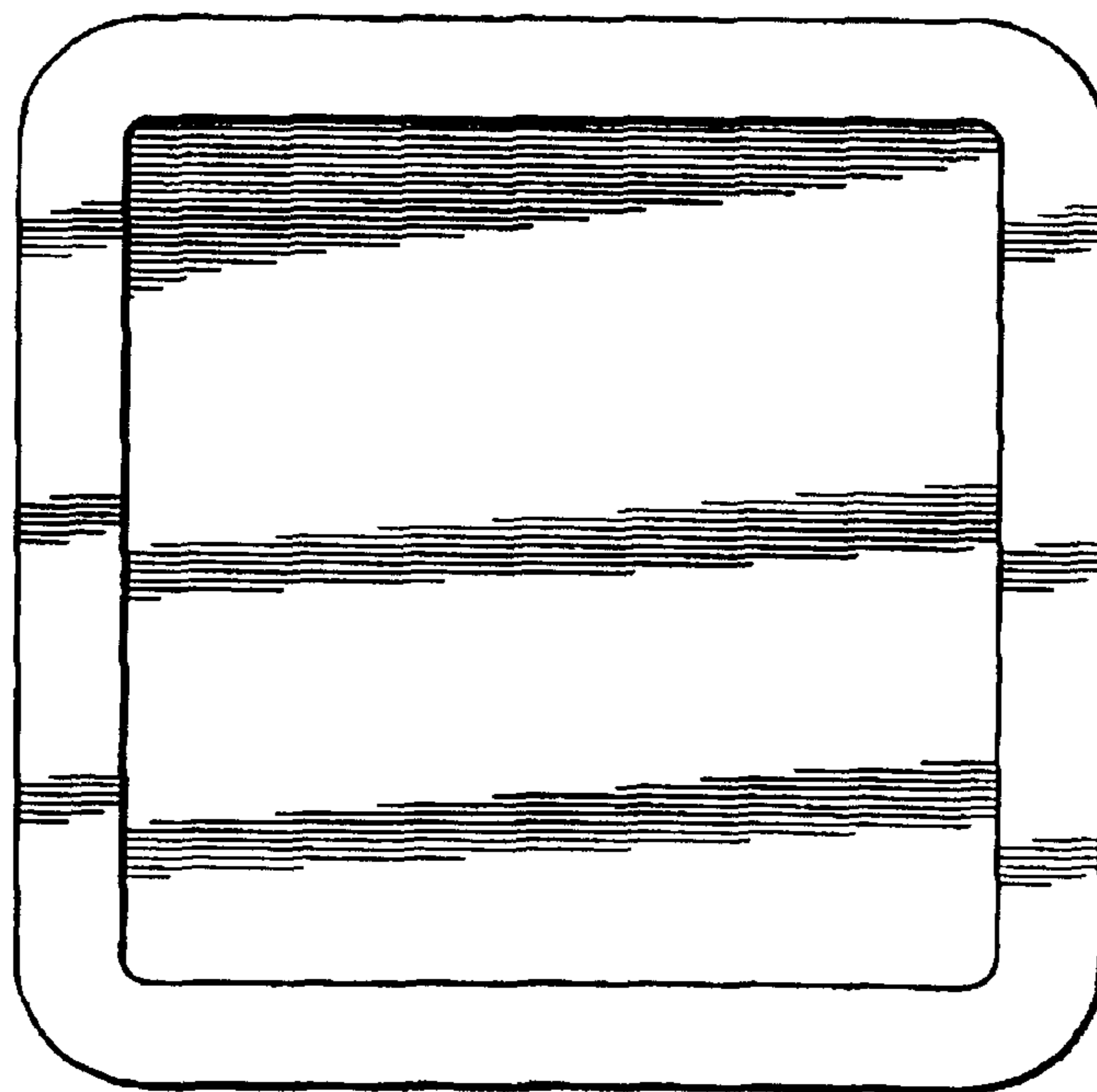


FIG. 3

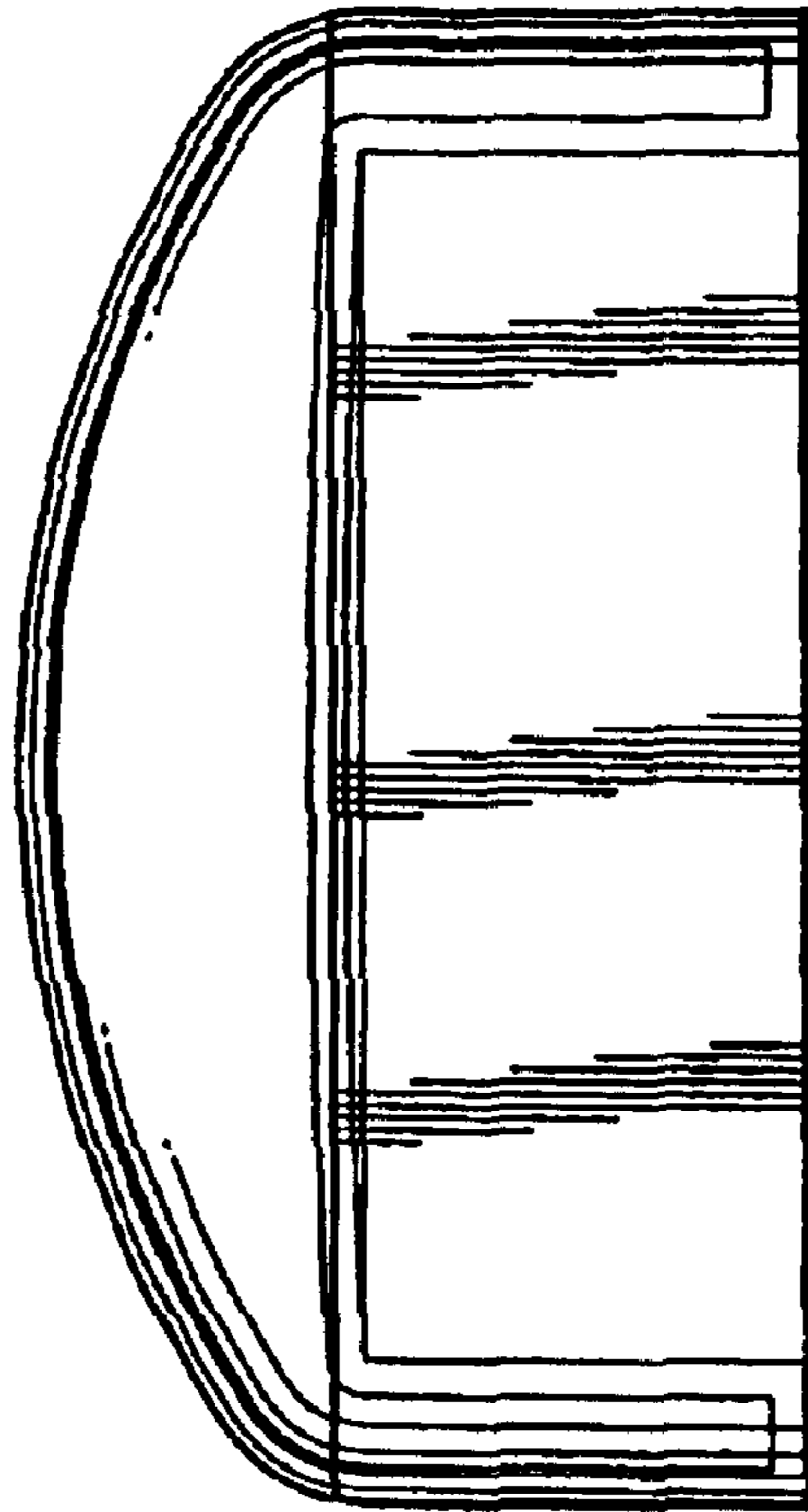


FIG. 4

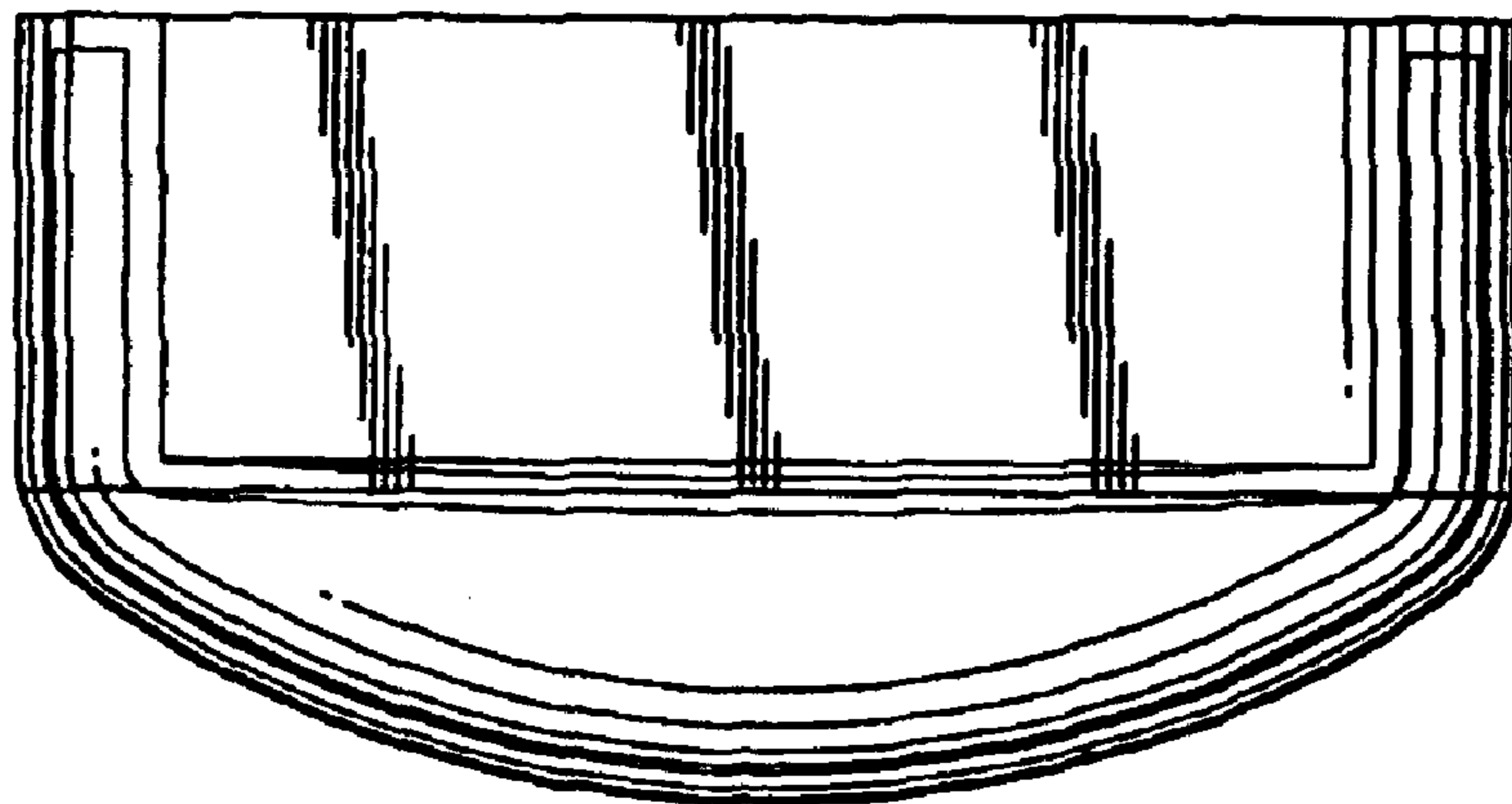


FIG. 5

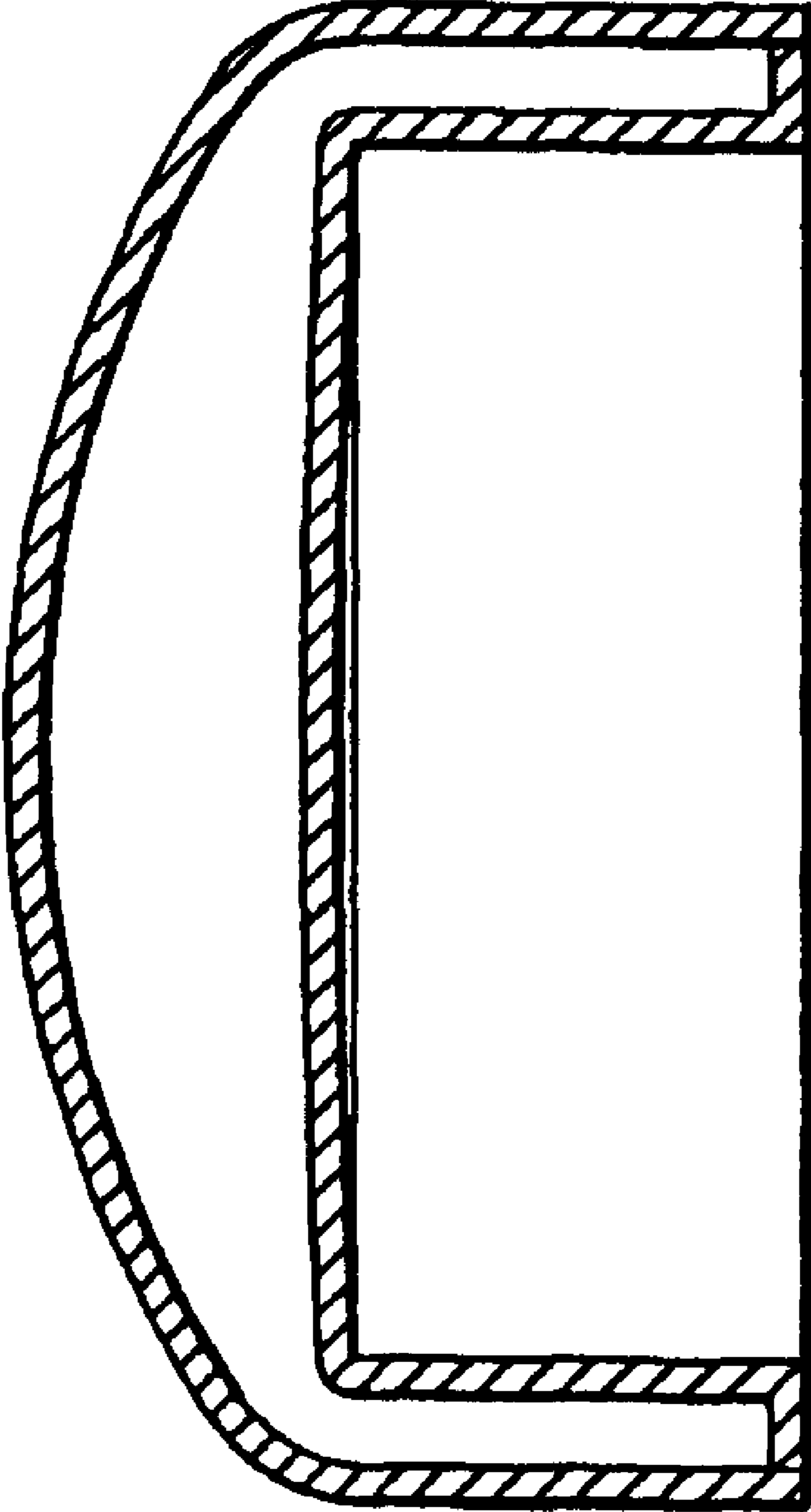


FIG. 6

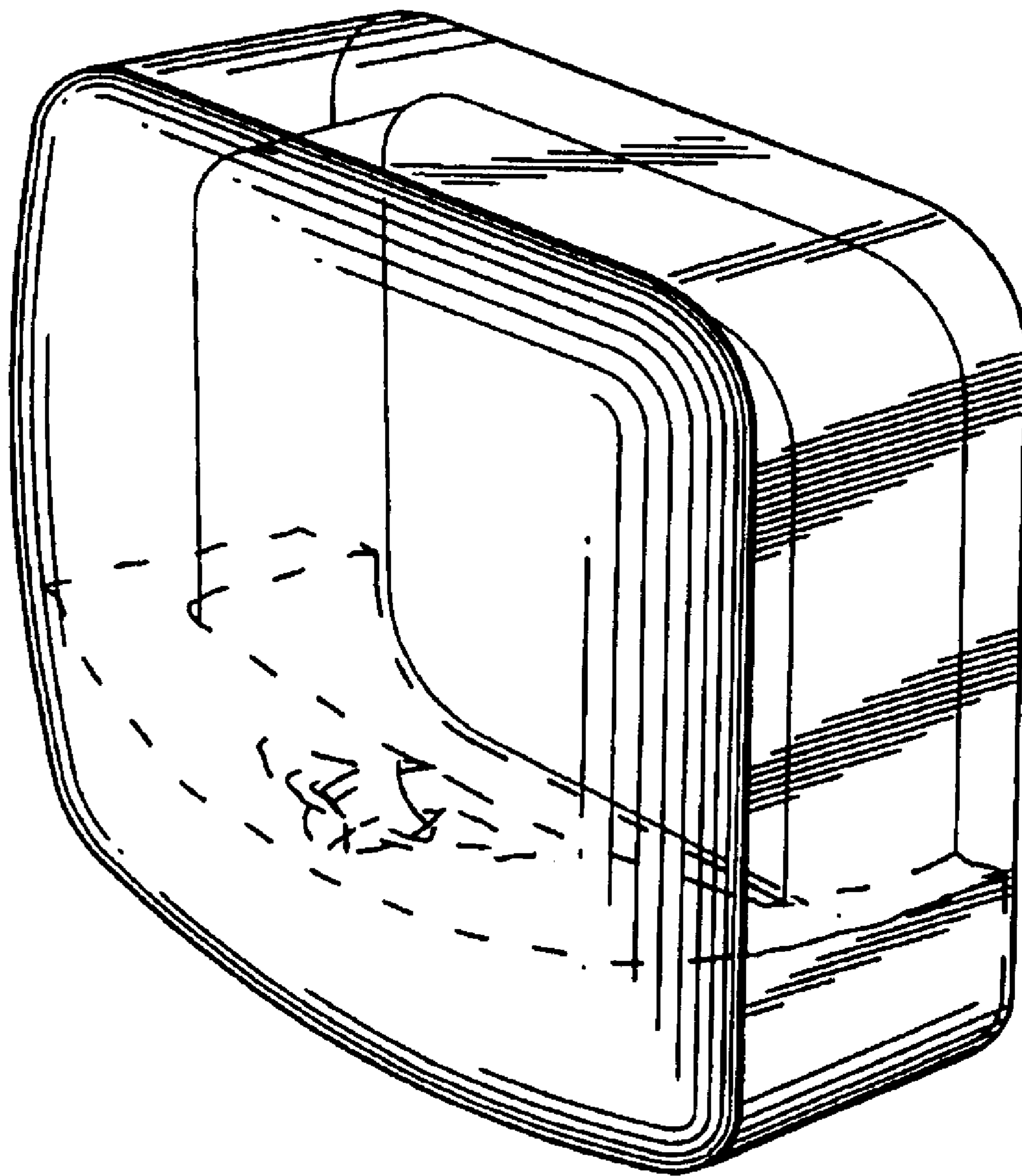


FIG. 7

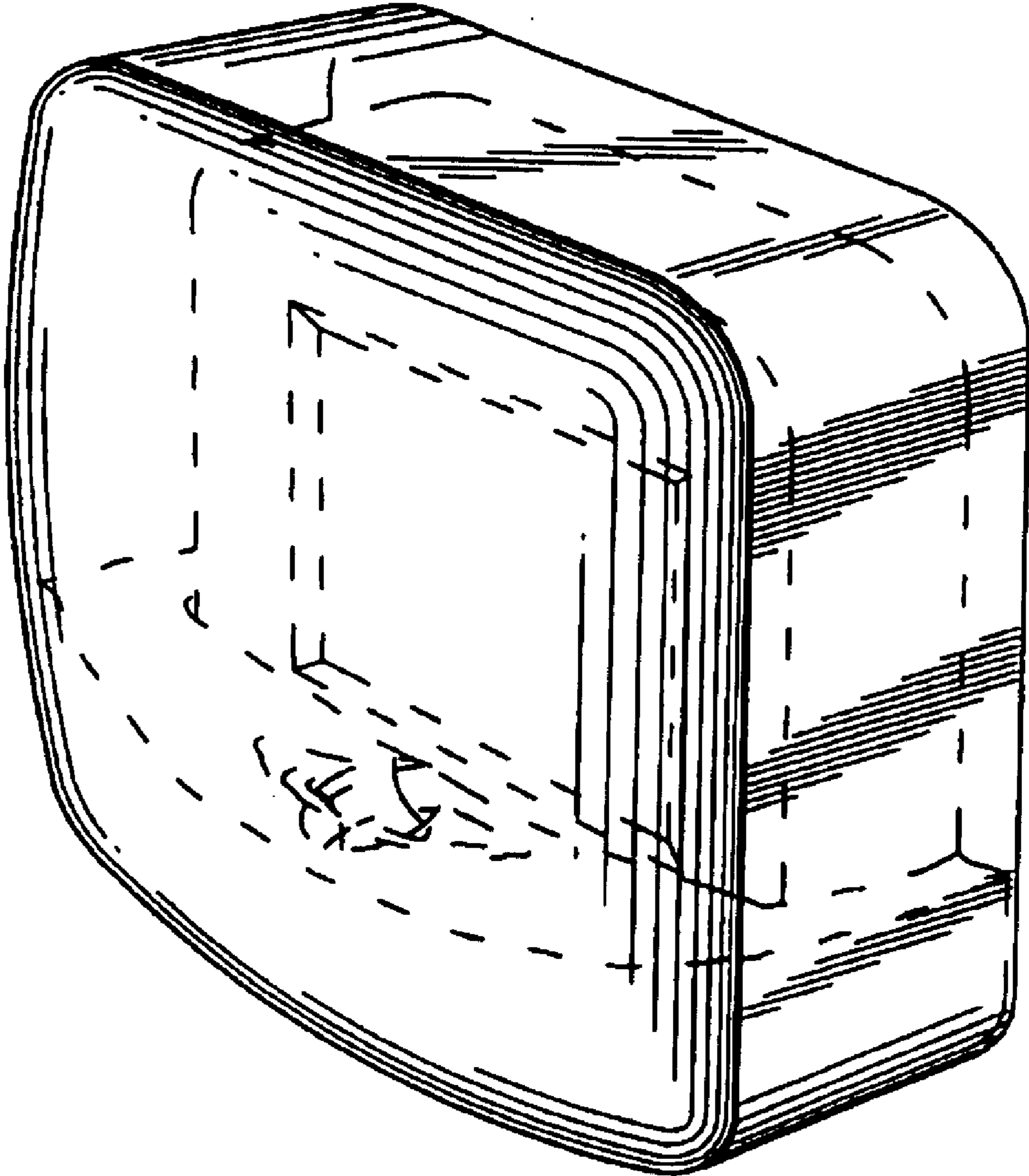


FIG. 8