



US00D542144S

(12) **United States Design Patent**
Herrmann

(10) **Patent No.:** **US D542,144 S**

(45) **Date of Patent:** **** May 8, 2007**

(54) **BOTTLE**

(75) Inventor: **Lutz Wilhelm Herrmann**, Hamburg
(DE)

(73) Assignee: **The Procter & Gamble Company**,
Cincinnati, OH (US)

(**) Term: **14 Years**

(21) Appl. No.: **29/254,562**

(22) Filed: **Feb. 24, 2006**

(30) **Foreign Application Priority Data**

Aug. 26, 2005 (EM) 000391859

(51) **LOC (8) Cl.** **09-01**

(52) **U.S. Cl.** **D9/560**

(58) **Field of Classification Search** D9/439,
D9/516, 544, 560, 562, 571-574, 687-692,
D9/694; 215/355, 379, 382; 220/660, 662,
220/669

See application file for complete search history.

(56) **References Cited**

U.S. PATENT DOCUMENTS

D107,966 S * 1/1938 McIntosh D9/544
D203,360 S * 12/1965 Becker D9/529
D306,559 S * 3/1990 Leonard D9/544
D364,348 S * 11/1995 Sgariboldi D9/544

D379,766 S * 6/1997 Schneider et al. D9/542
D484,792 S * 1/2004 Sgariboldi D9/694
D499,028 S * 11/2004 Faillant-Dumas D9/544
D511,688 S * 11/2005 Baron D9/560
D519,844 S * 5/2006 Mansau D9/573

FOREIGN PATENT DOCUMENTS

WO DM/064332 * 5/2003

* cited by examiner

Primary Examiner—Ian Simmons

Assistant Examiner—Dana Sipos

(74) *Attorney, Agent, or Firm*—Kenya T. Pierre; Andrew J. Hagerty; Tara M. Rosnell

(57) **CLAIM**

The ornamental design for a bottle, as shown and described.

DESCRIPTION

FIG. 1 is a perspective view of a bottle showing my new design;

FIG. 2 is a front elevational view of the bottle of FIG. 1;

FIG. 3 is a rear elevational view of the bottle of FIG. 1;

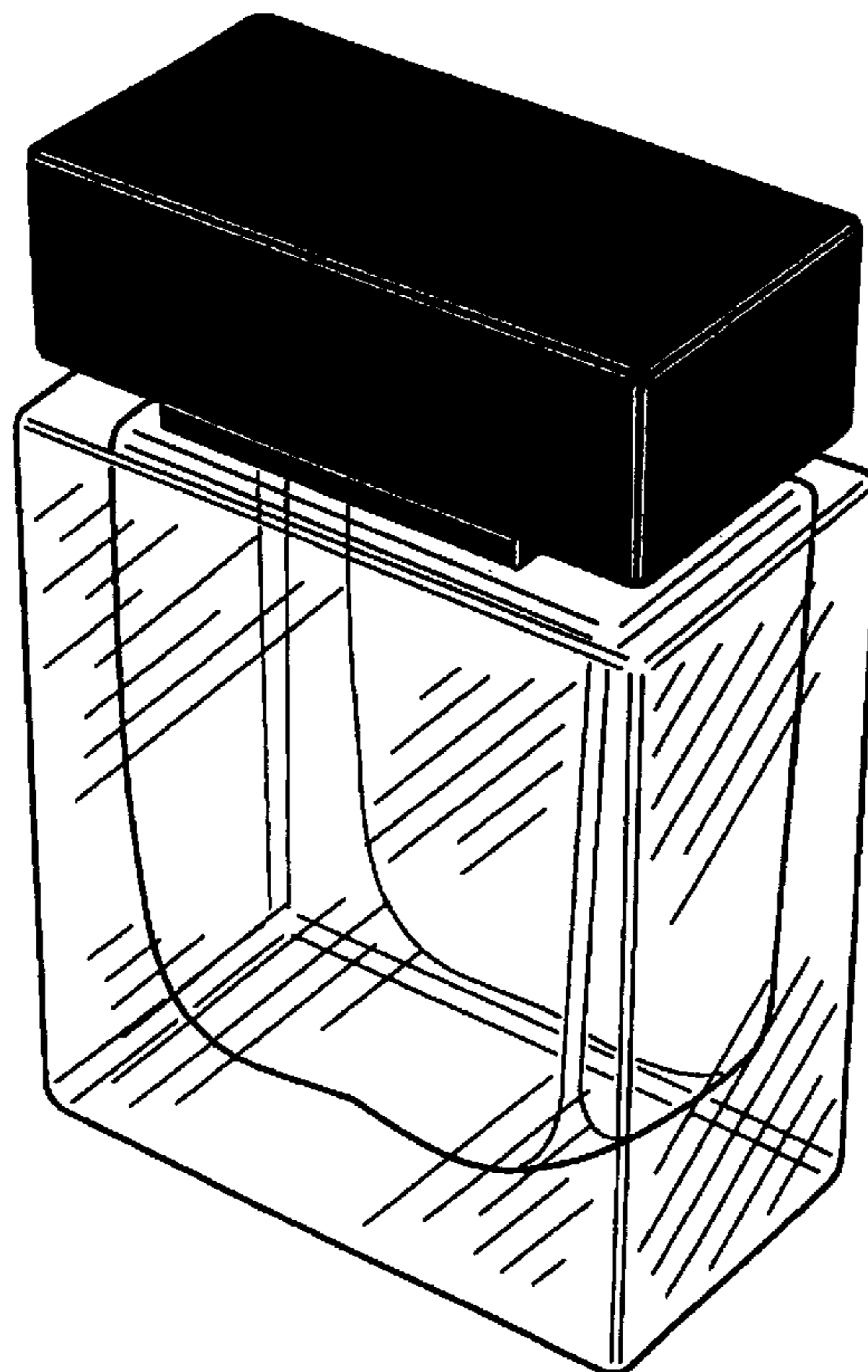
FIG. 4 is a left side elevational view of the bottle of FIG. 1;

FIG. 5 is a right side elevational view of the bottle of FIG. 1; and,

FIG. 6 is a top plan view of the bottle of FIG. 1.

The drawings are shaded for the color black.

1 Claim, 5 Drawing Sheets



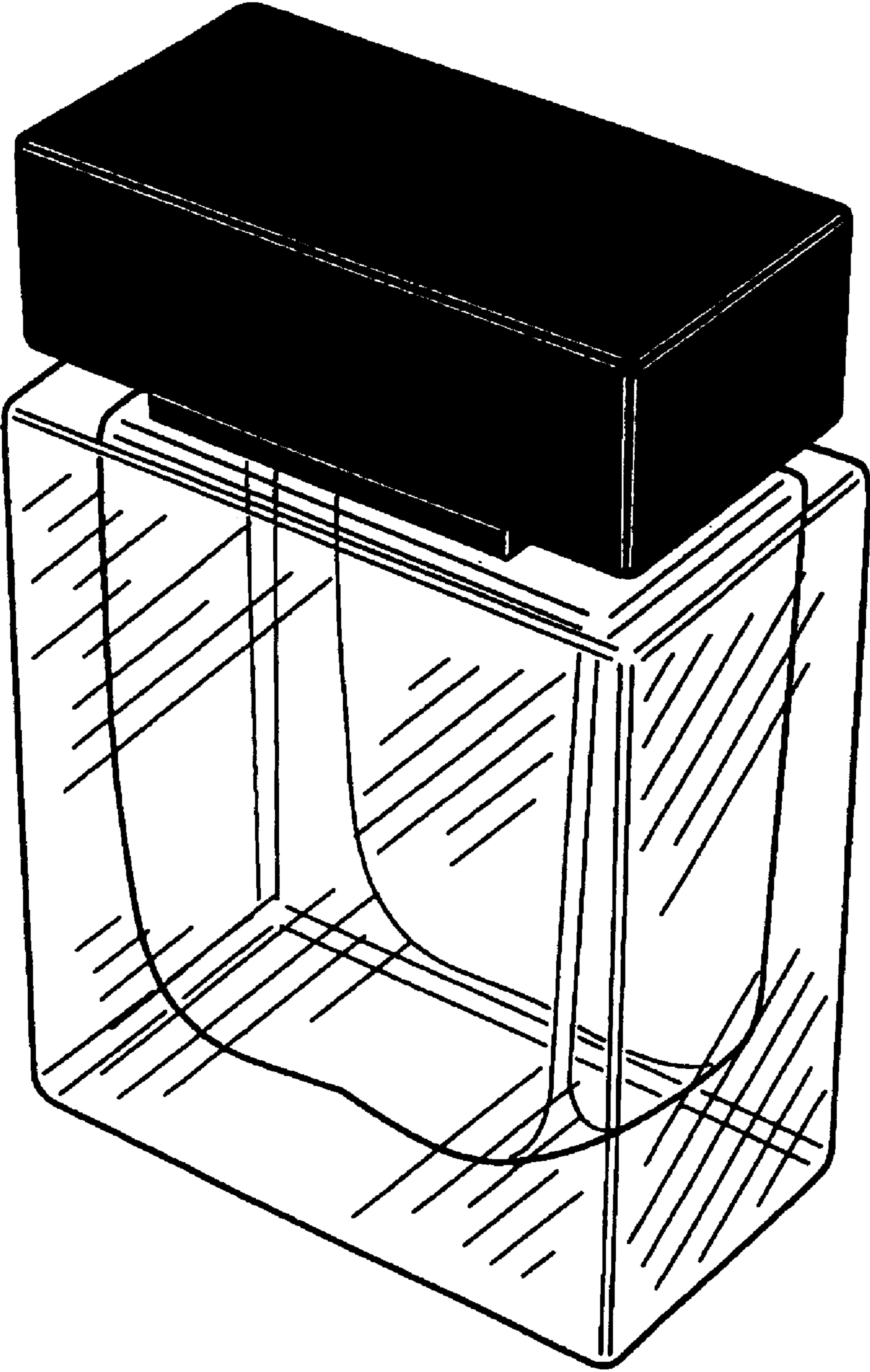


FIG. 1

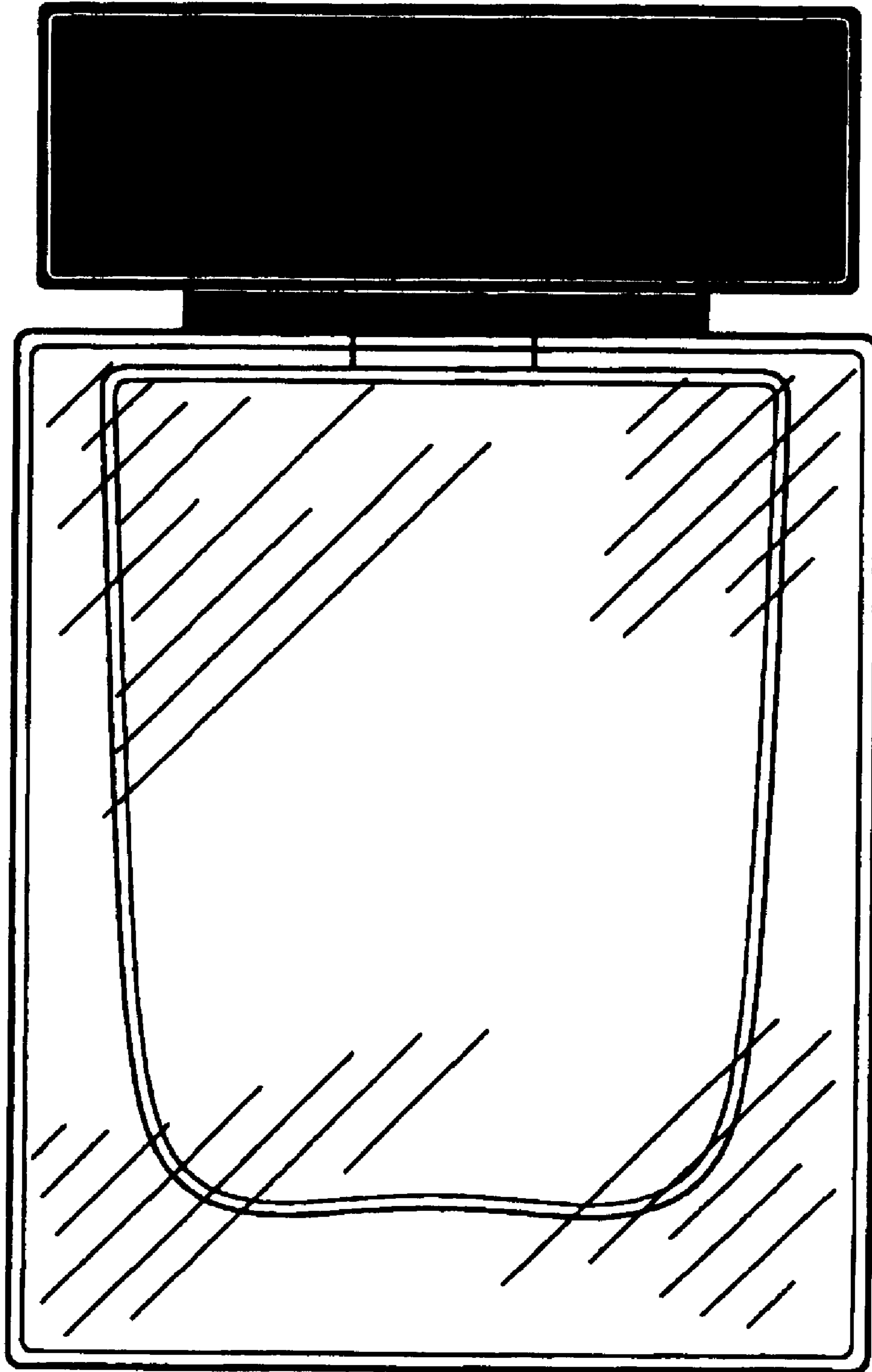


FIG. 2

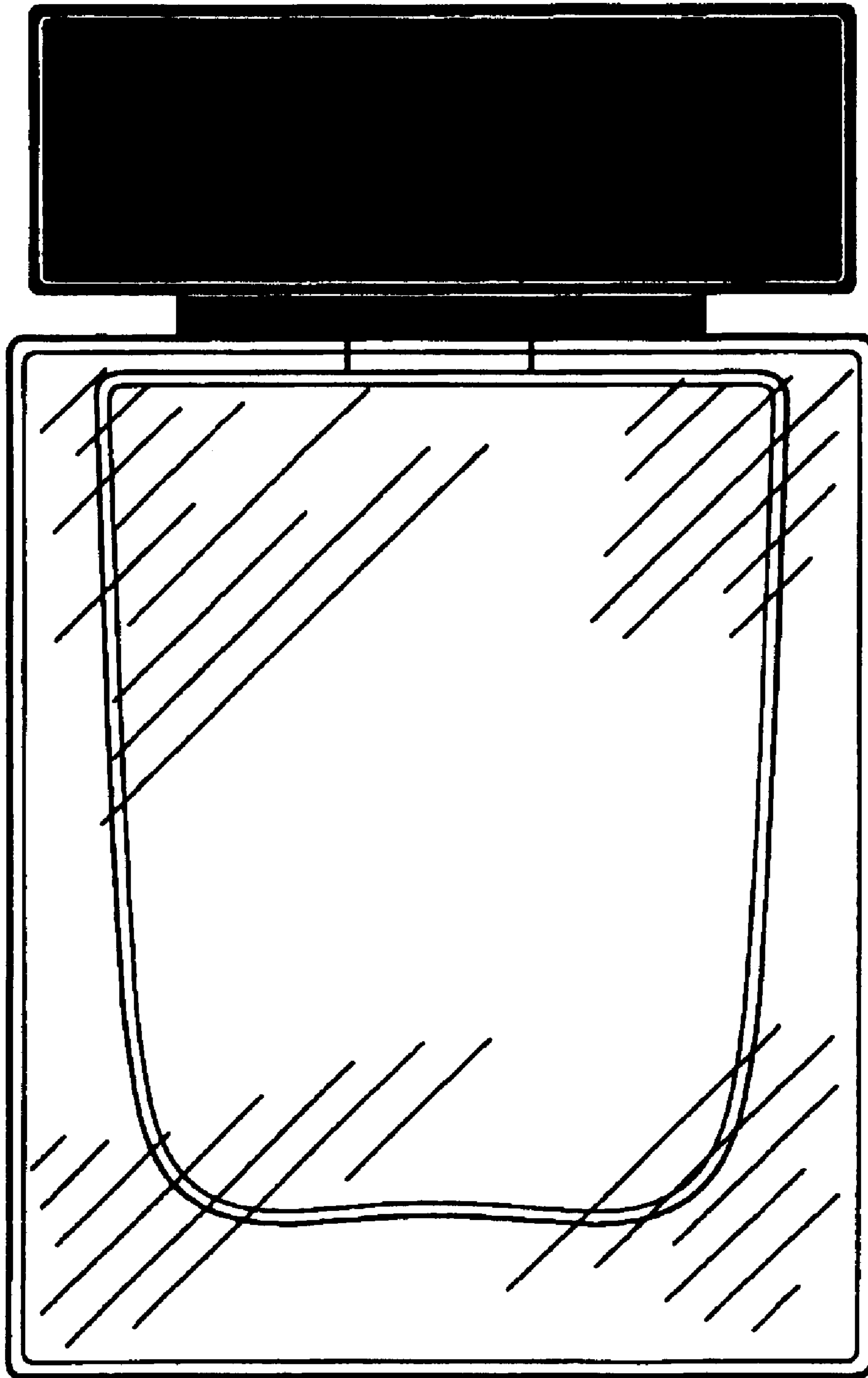


FIG. 3

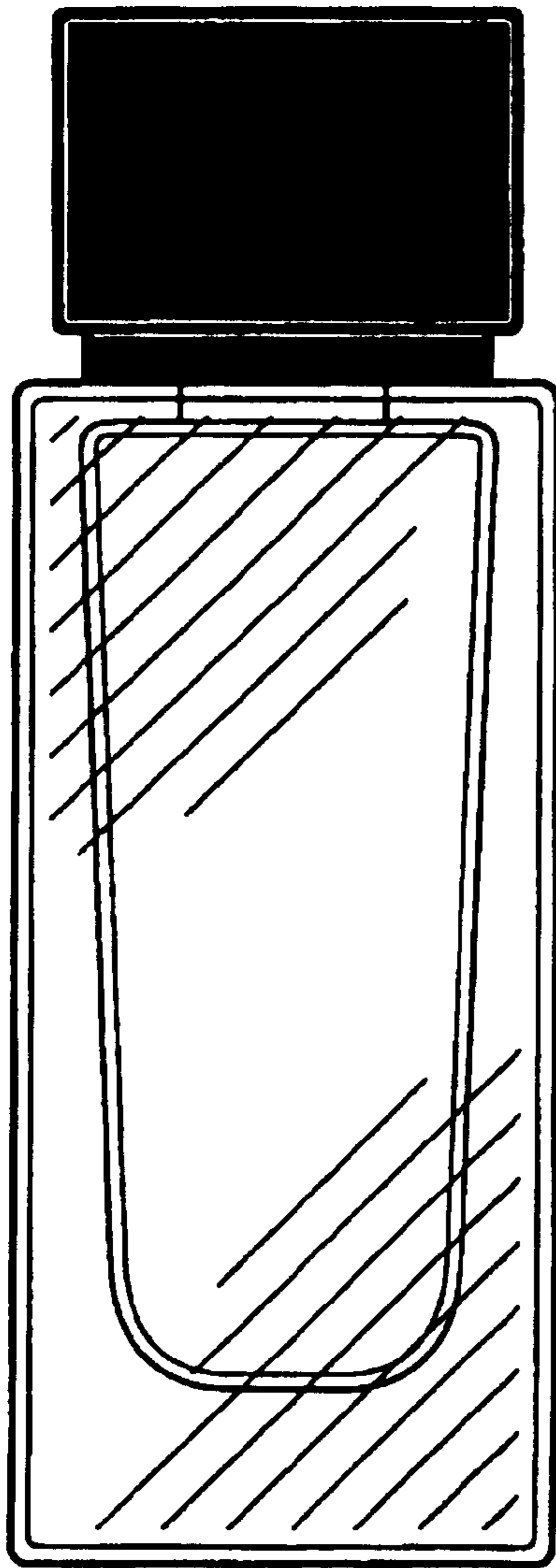


FIG. 4

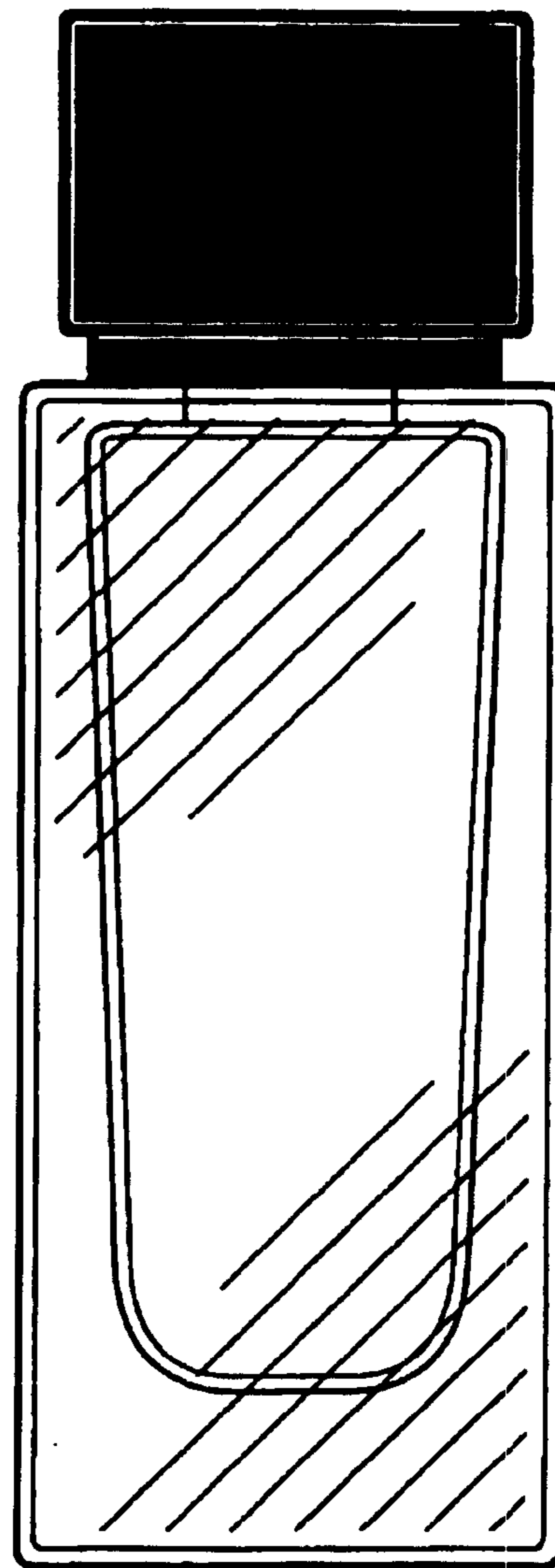


FIG. 5

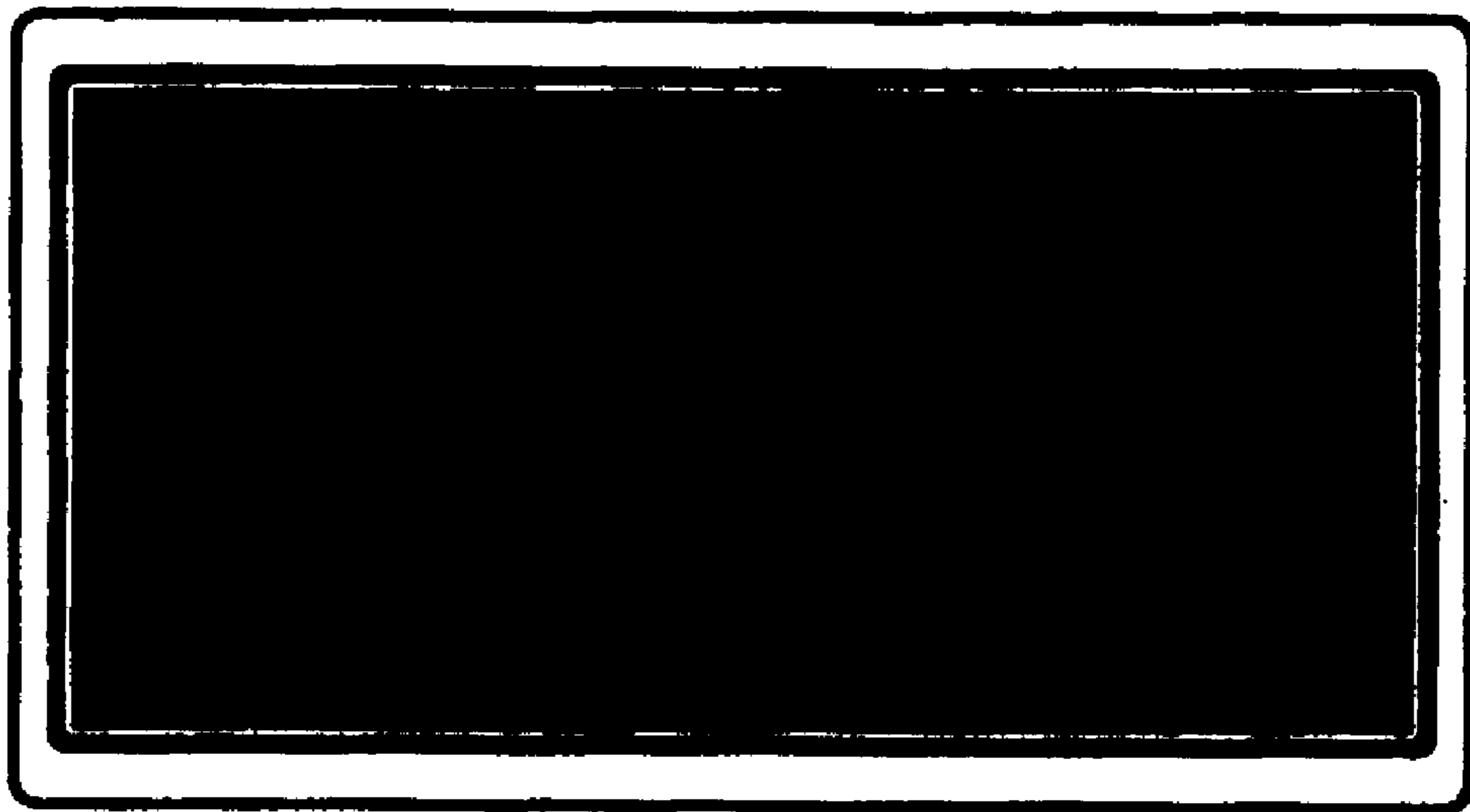


FIG. 6