

US00D542143S

(12) **United States Design Patent**
Phillips et al.

(10) **Patent No.:** **US D542,143 S**

(45) **Date of Patent:** **** May 8, 2007**

(54) **CONTAINER**

(75) Inventors: **Stephen Robert Phillips**, Boston, MA
(US); **Susan Logcher**, Woburn, MA
(US); **Ivan Mario Da Barp**, Kleinburg
(CA)

(73) Assignee: **Connoisseurs Products Corporation**,
Woburn, MA (US)

(**) Term: **14 Years**

(21) Appl. No.: **29/231,376**

(22) Filed: **Jun. 2, 2005**

(51) **LOC (8) Cl.** **09-01**

(52) **U.S. Cl.** **D9/557; D9/559; D9/571;**
D9/574

(58) **Field of Classification Search** D9/516,
D9/520, 530, 541-542, 556-557, 559-560,
D9/569, 571-575; 215/381-385, 396, 398;
220/660, 662, 669, 675

See application file for complete search history.

(56) **References Cited**

U.S. PATENT DOCUMENTS

D43,137 S * 10/1912 Eichhorn D9/529
D67,264 S * 5/1925 Bromley D9/571
D72,420 S * 4/1927 Hamilton D9/541

D92,424 S * 6/1934 Piazzoli D9/559
D94,416 S * 1/1935 Green D9/542
D108,594 S * 2/1938 Kennedy D9/563
D114,686 S * 5/1939 Petty D9/571
3,923,178 A * 12/1975 Welker, III 215/381
D242,223 S * 11/1976 Welker D9/520
D249,866 S * 10/1978 Felix D9/571
D320,554 S * 10/1991 Van Dine et al. D9/574
D360,134 S * 7/1995 Snyder D9/520
D441,296 S * 5/2001 Majerowski D9/542
D487,020 S * 2/2004 Blank et al. D9/542
D512,276 S * 12/2005 Betras D7/624.2
D525,874 S * 8/2006 Kipperman et al. D9/529
D532,697 S * 11/2006 Francis D9/571

* cited by examiner

Primary Examiner—Carol Rademaker

(74) *Attorney, Agent, or Firm*—Blakely, Sokoloff, Taylor &
Zafman, LLP

(57) **CLAIM**

The ornamental design for container, as shown.

DESCRIPTION

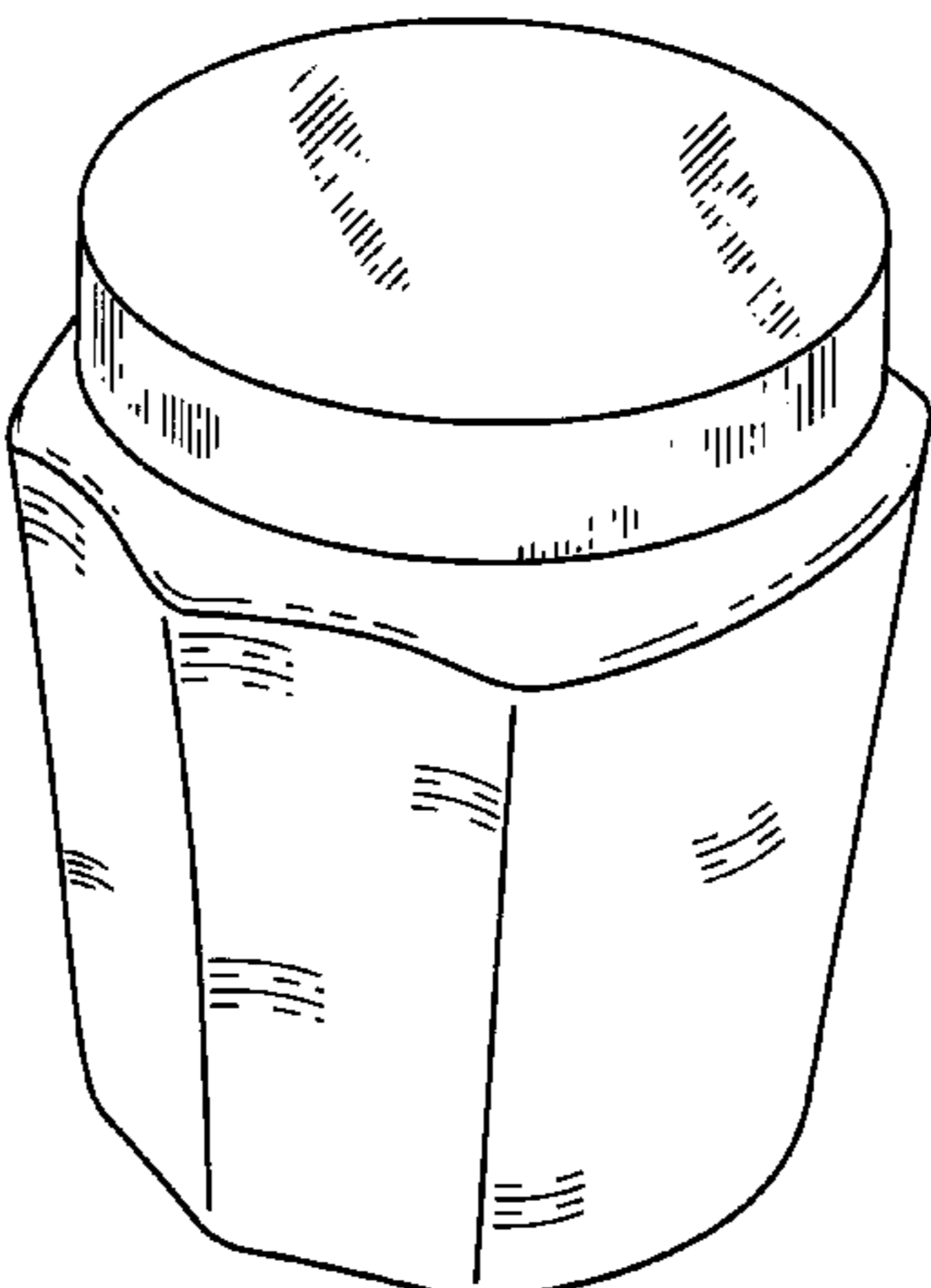
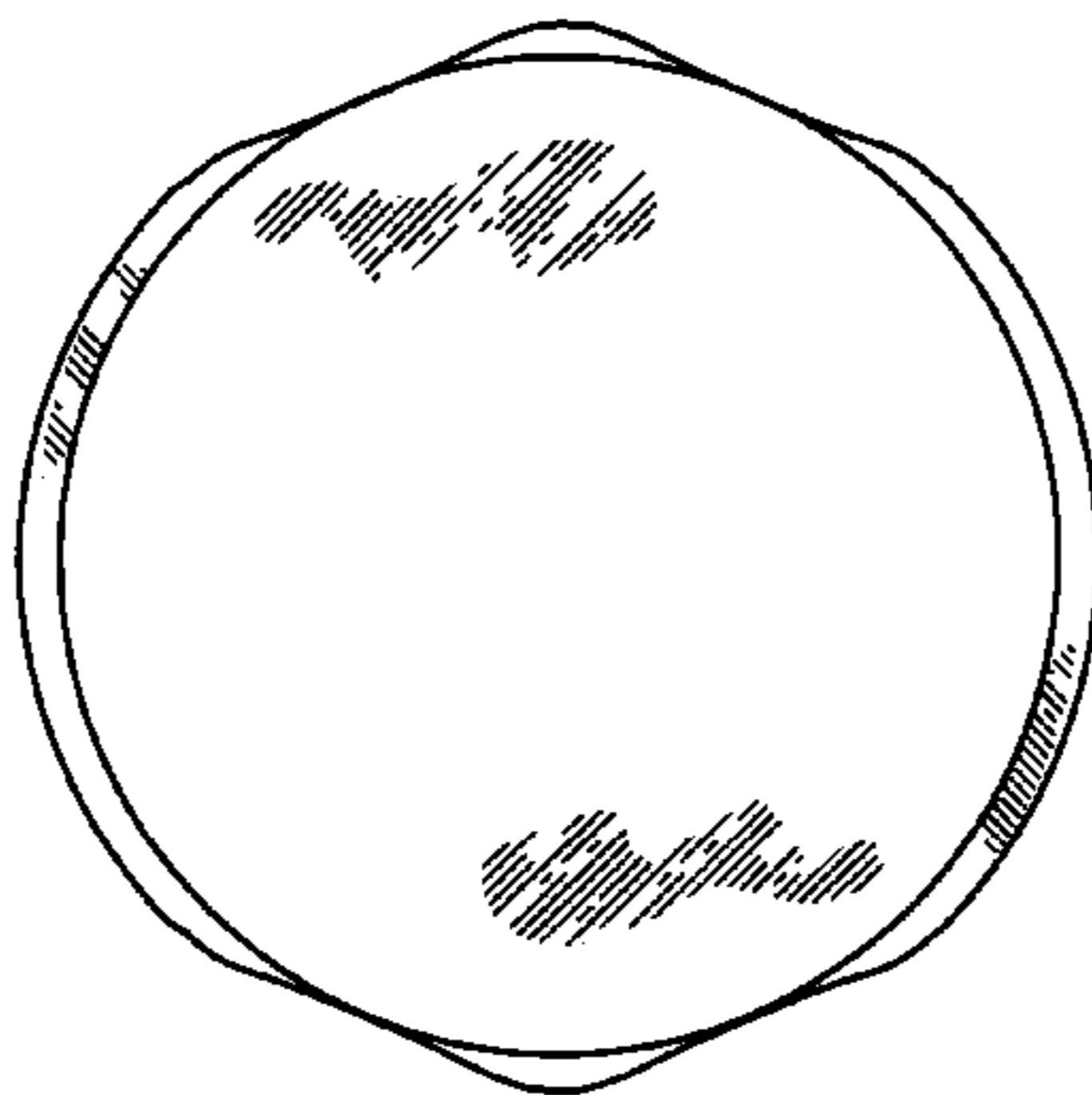
FIG. 1 is a top view of a container.

FIG. 2 is an end view of the container of FIG. 1.

FIG. 3 is a side view of the container of FIG. 1; and,

FIG. 4 is a perspective view of the container of FIG. 1.

1 Claim, 2 Drawing Sheets



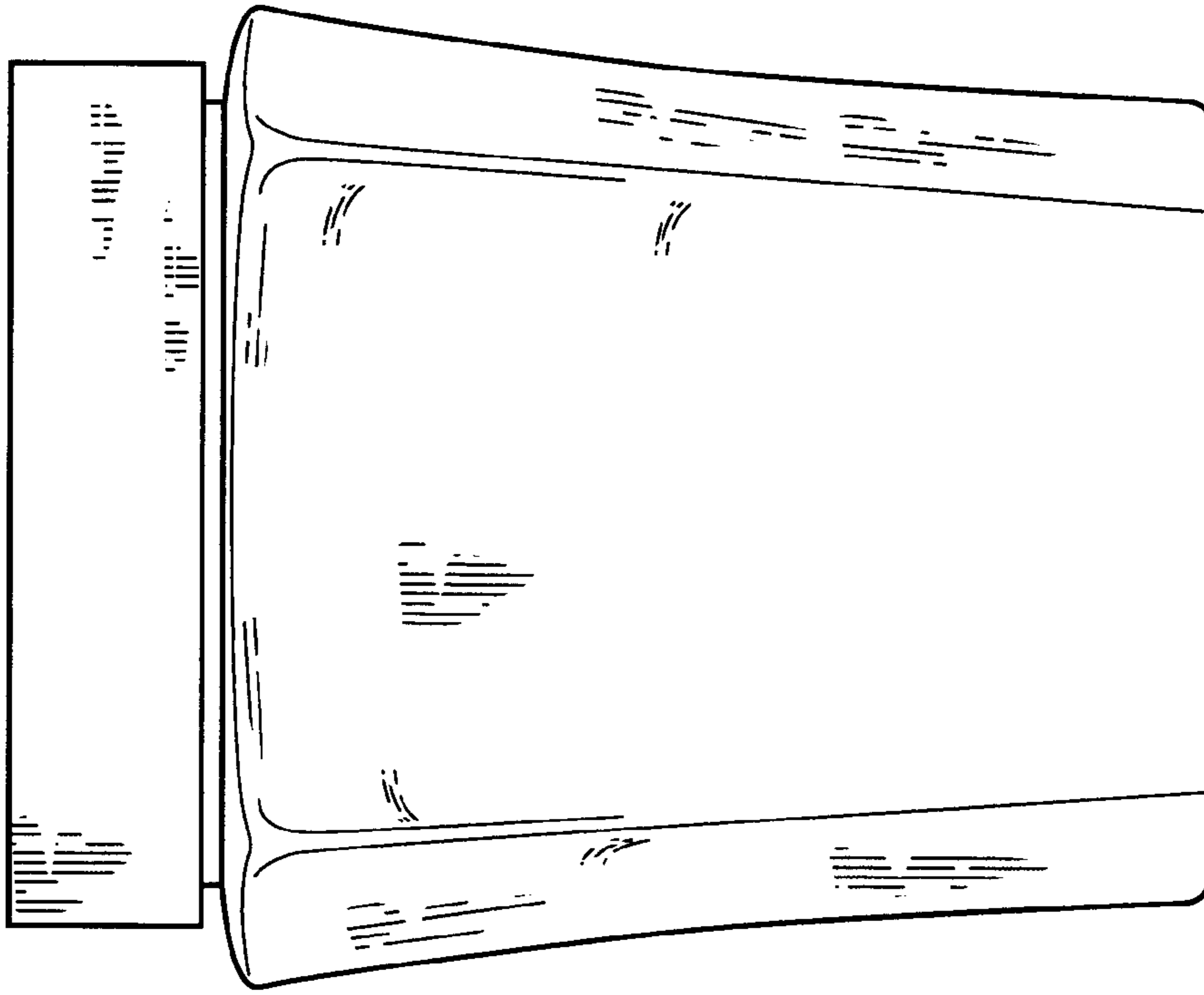


FIG. 2

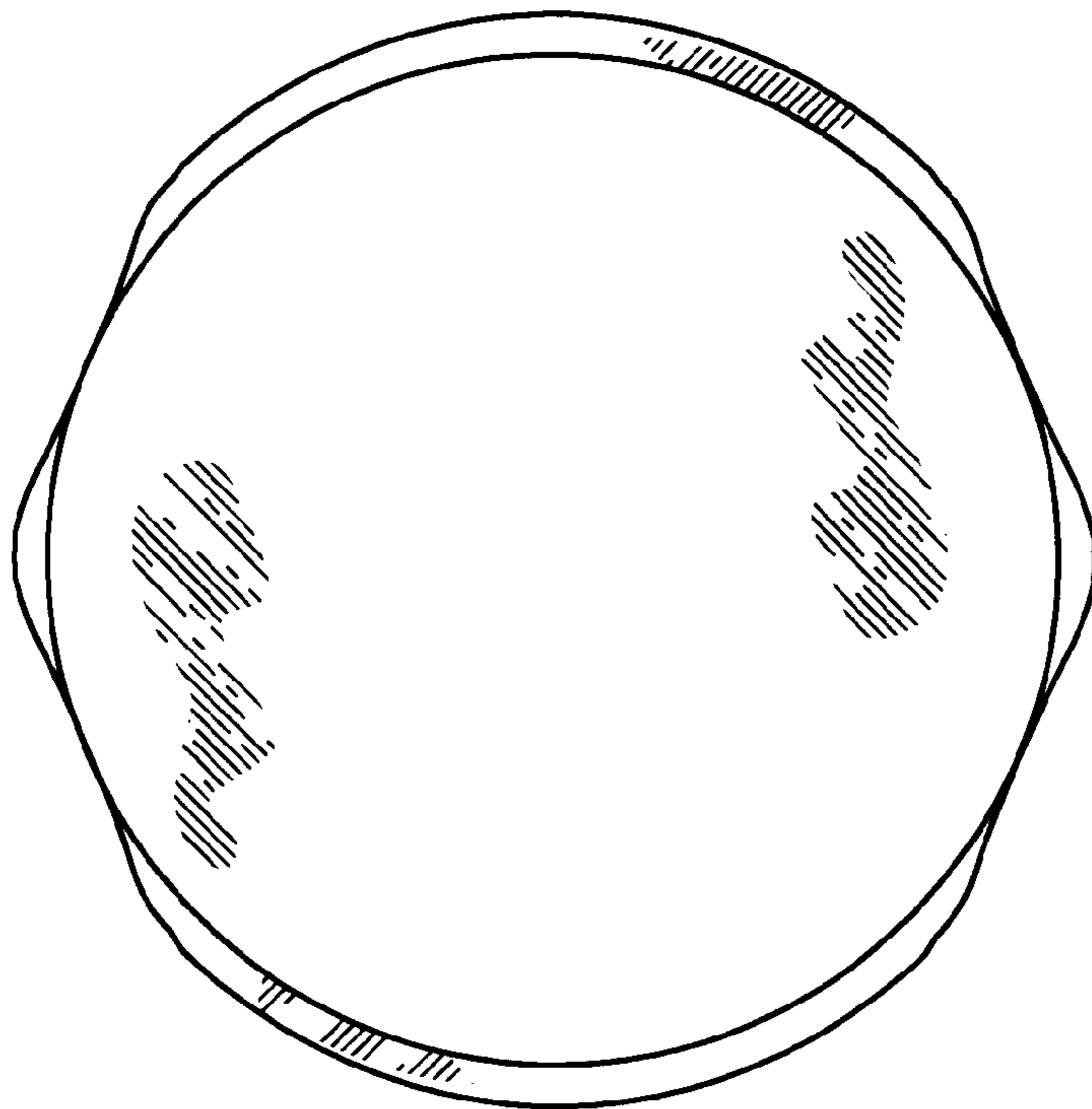


FIG. 1

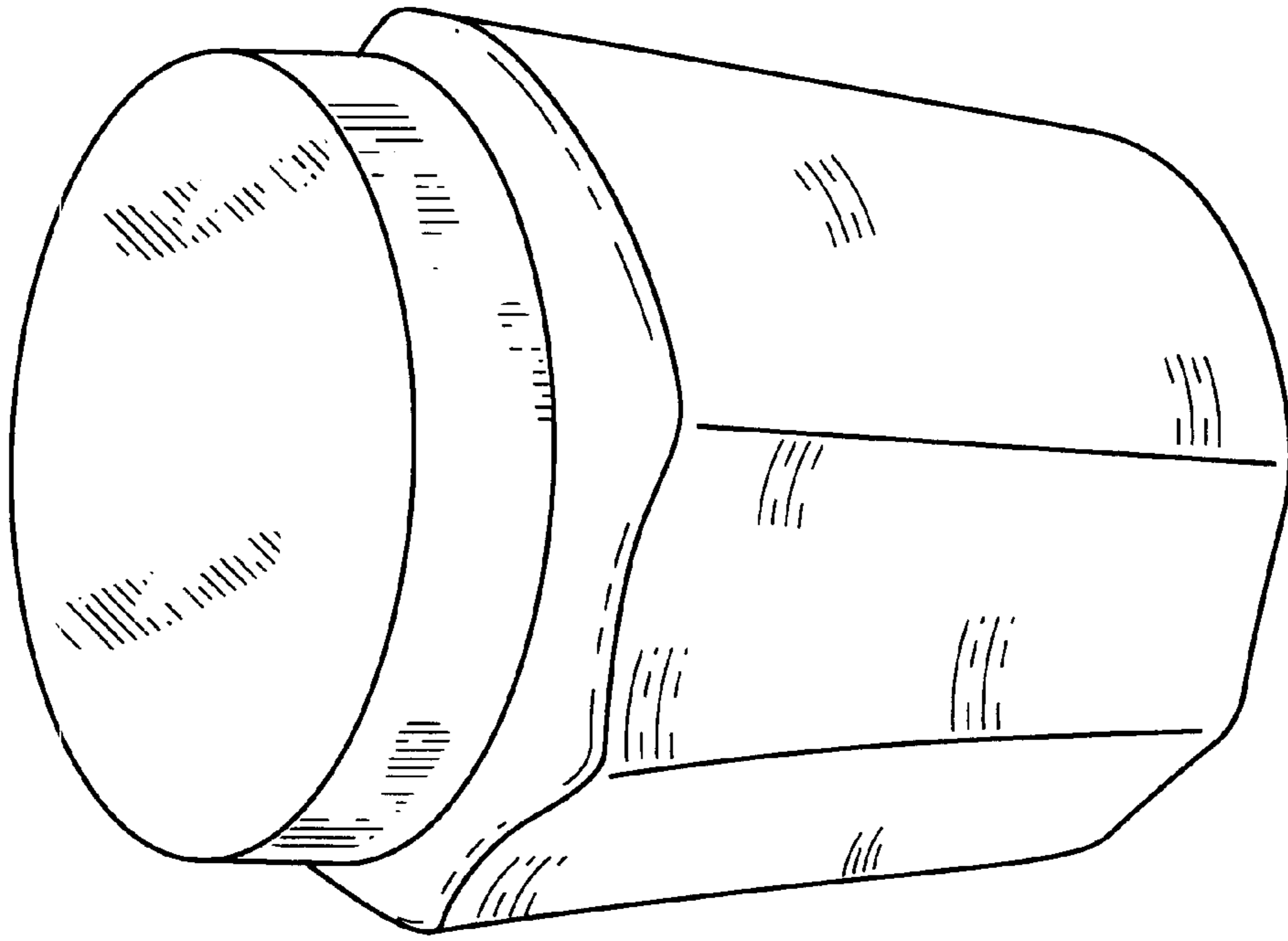


FIG. 4

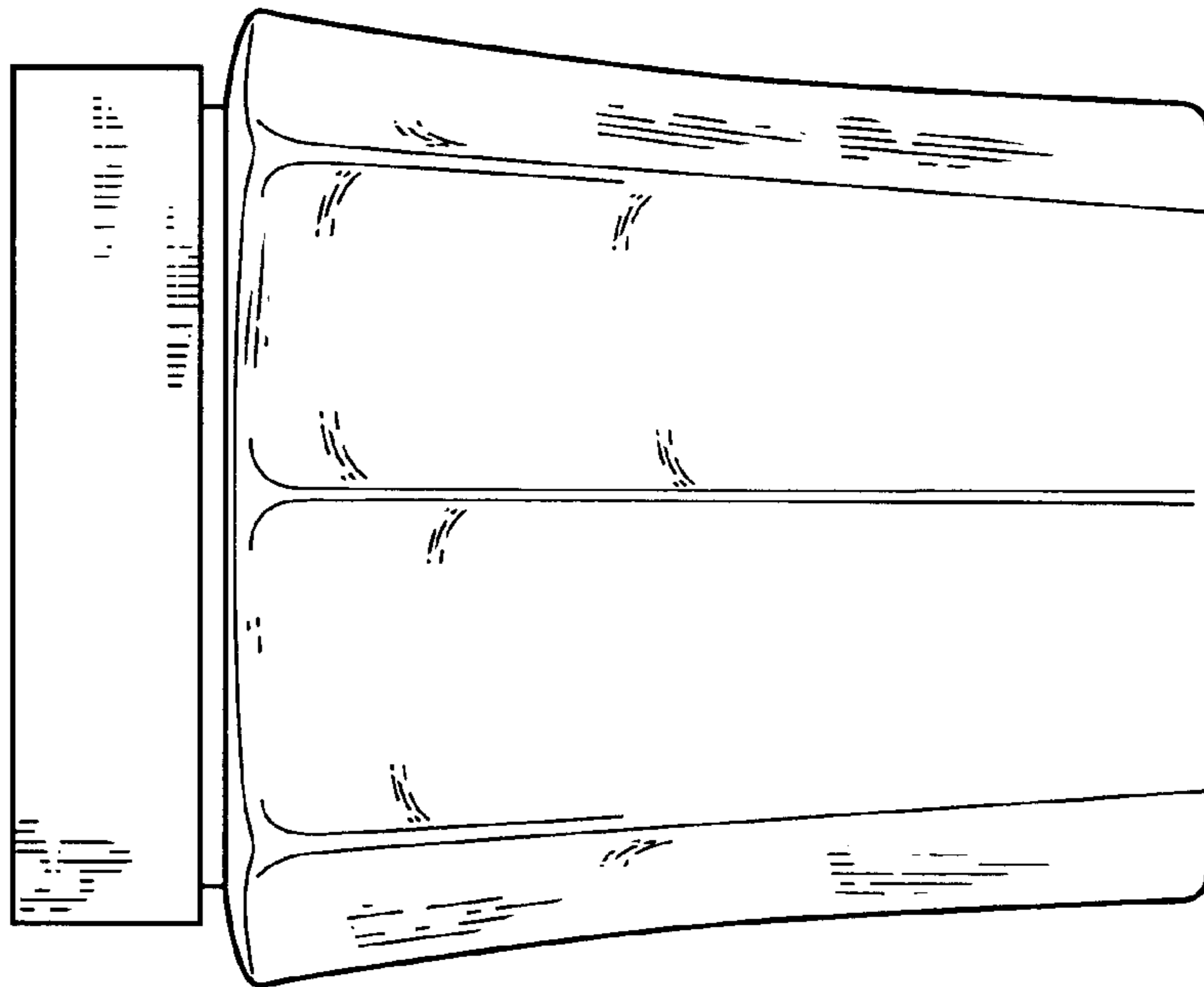


FIG. 3