



US00D542132S

(12) **United States Design Patent**
Pugne

(10) **Patent No.:** **US D542,132 S**

(45) **Date of Patent:** **** May 8, 2007**

(54) **DISPENSING CLOSURE**

(75) Inventor: **Darin M. Pugne**, Perrysburg, OH (US)

(73) Assignee: **Owens-Illinois Closure Inc.**,
Perrysburg, OH (US)

(**) Term: **14 Years**

(21) Appl. No.: **29/232,719**

(22) Filed: **Jun. 22, 2005**

(51) **LOC (8) Cl.** **09-07**

(52) **U.S. Cl.** **D9/449**

(58) **Field of Classification Search** D9/695,
D9/455, 453, 449, 447, 446, 442, 435, 434,
D9/420; D7/900, 511, 510; 220/837, 833,
220/283, 281, 254.7, 254.3

See application file for complete search history.

(56) **References Cited**

U.S. PATENT DOCUMENTS

3,362,591	A	1/1968	Latham et al.	
D292,889	S	11/1987	Ostrowsky	
5,271,531	A	12/1993	Rohr et al.	
D355,121	S	2/1995	Kohl	
5,632,420	A	5/1997	Lohrman et al.	
D385,791	S	* 11/1997	Forsyth et al.	D9/447
5,769,253	A	6/1998	Gross	
5,897,033	A	4/1999	Okawa et al.	
6,089,411	A	7/2000	Baudin et al.	
D468,639	S	* 1/2003	Wennerstrom et al.	D9/449
D476,892	S	* 7/2003	Martin et al.	D9/449
D516,425	S	* 3/2006	Haffner et al.	D9/449

* cited by examiner

Primary Examiner—Robert M. Spear
Assistant Examiner—Susan Bennett Hattan

(57) **CLAIM**

I claim the ornamental design for a dispensing closure, as shown and described.

DESCRIPTION

FIG. 1 is a perspective view of a first embodiment the dispensing closure.

FIG. 2 is a front elevational view of the dispensing closure in FIG. 1.

FIG. 3 is a side elevational view of the dispensing closure of FIGS. 1 and 2, the opposing side elevational view being a mirror image of FIG. 3, and the hinge being illustrated in phantom in FIG. 3 (and FIG. 4) for environment.

FIG. 4 is a rear elevational view of the dispensing closure of FIGS. 1–3.

FIG. 5 is a top plan view of the dispensing closure of FIGS. 1–4, the bottom of the dispensing closure forming no part of the claimed design.

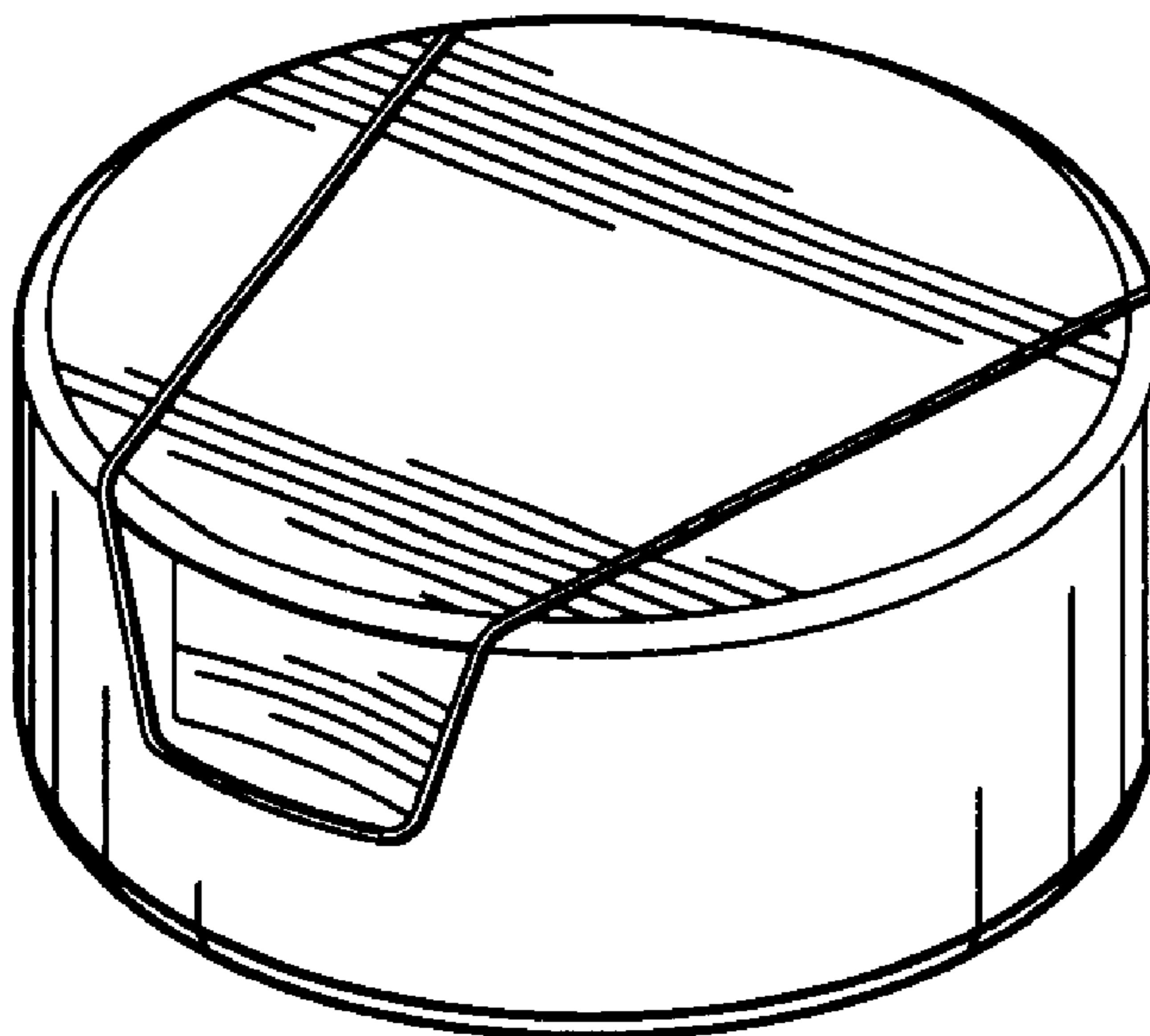
FIG. 6 is a perspective view of the dispensing closure of FIGS. 1–5 with the lid open.

FIG. 7 is a perspective view of a second embodiment of the dispensing closure, a logo being illustrated in phantom on the lid in FIG. 7 (and in FIG. 8) for environment; and,

FIG. 8 is a top plan view of the dispensing closure in FIG. 7, the front, side and rear elevational views as shown in FIGS. 2–4.

The lines shown in phantom in the drawings illustrate environment only and form no part of the claimed design.

1 Claim, 1 Drawing Sheet



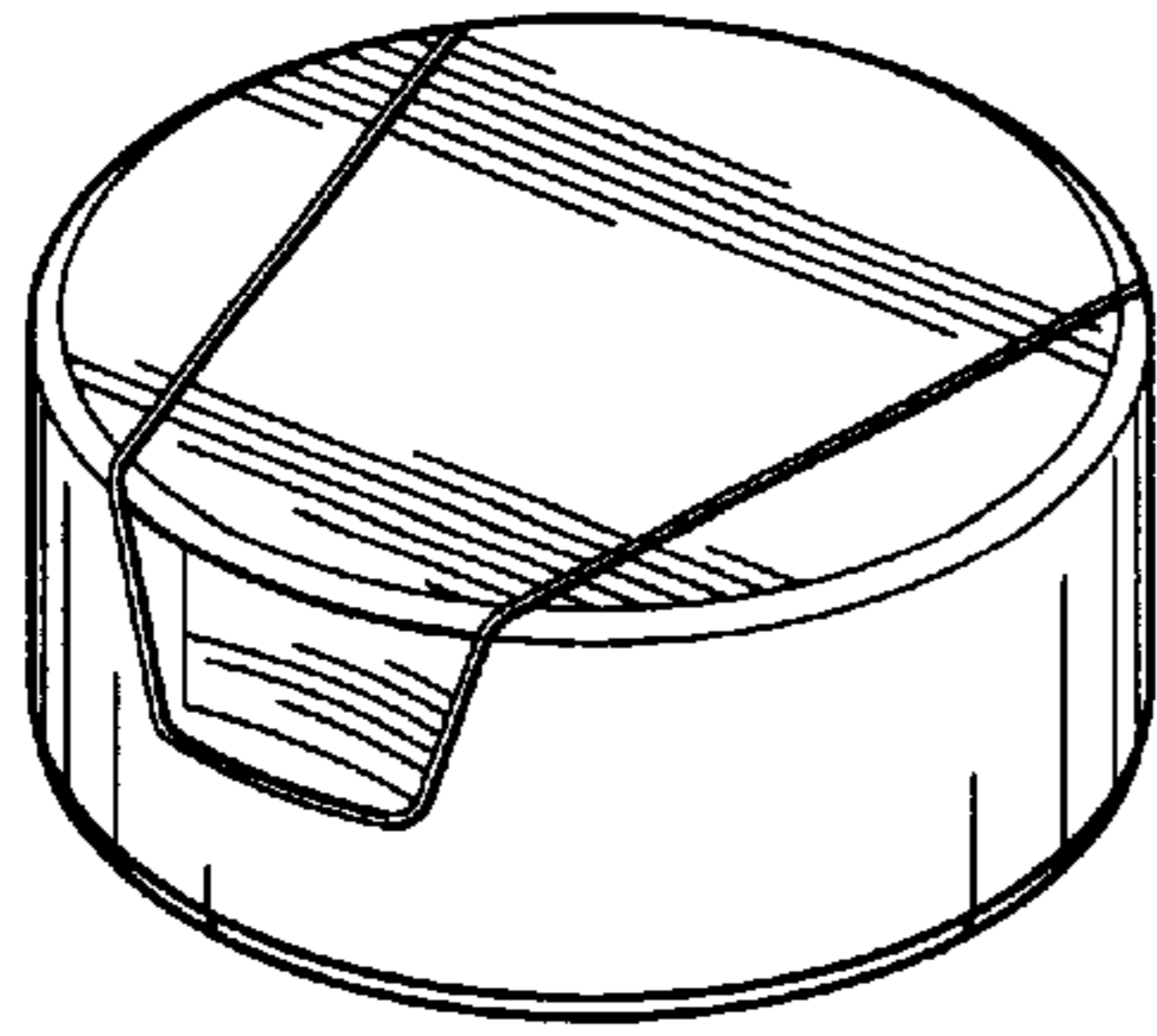


Figure 1

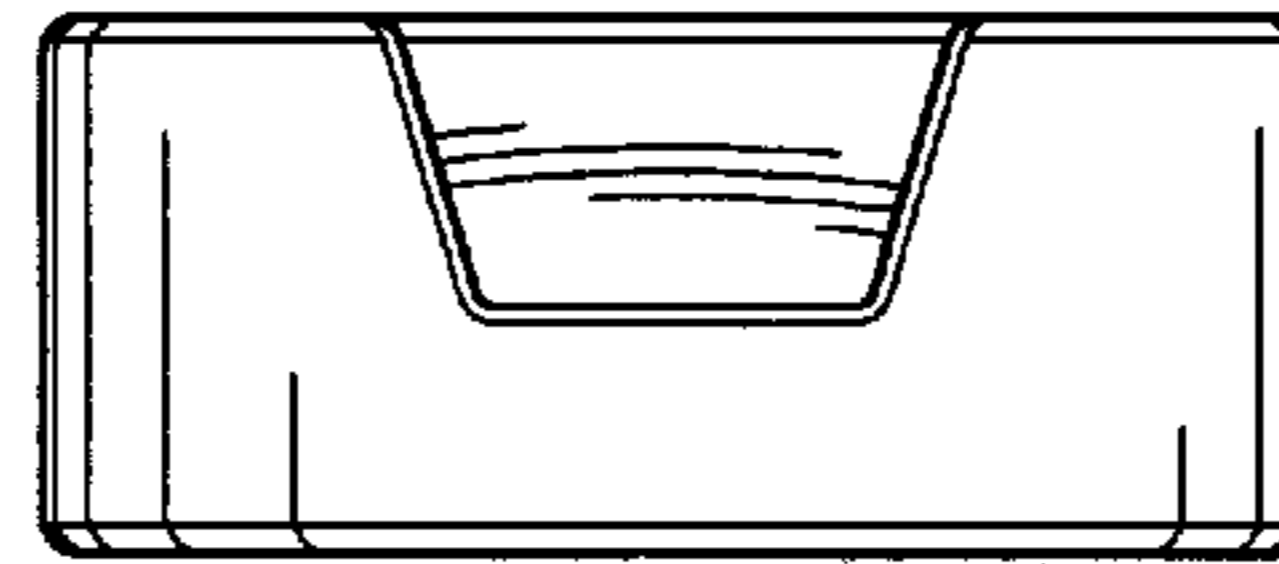


Figure 2

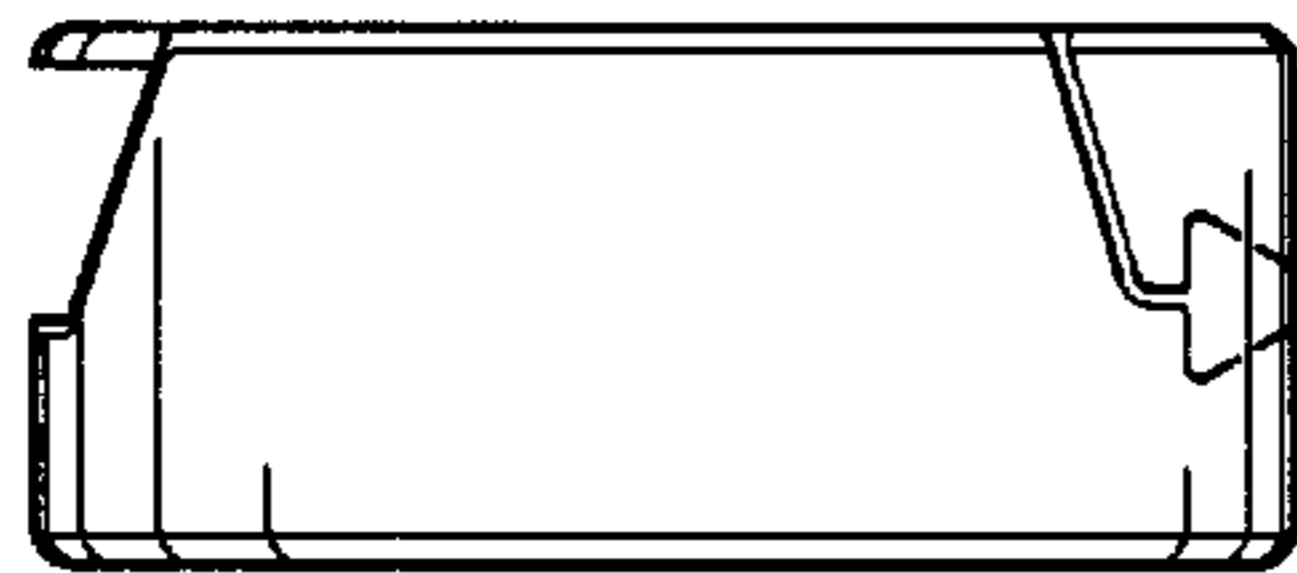


Figure 3

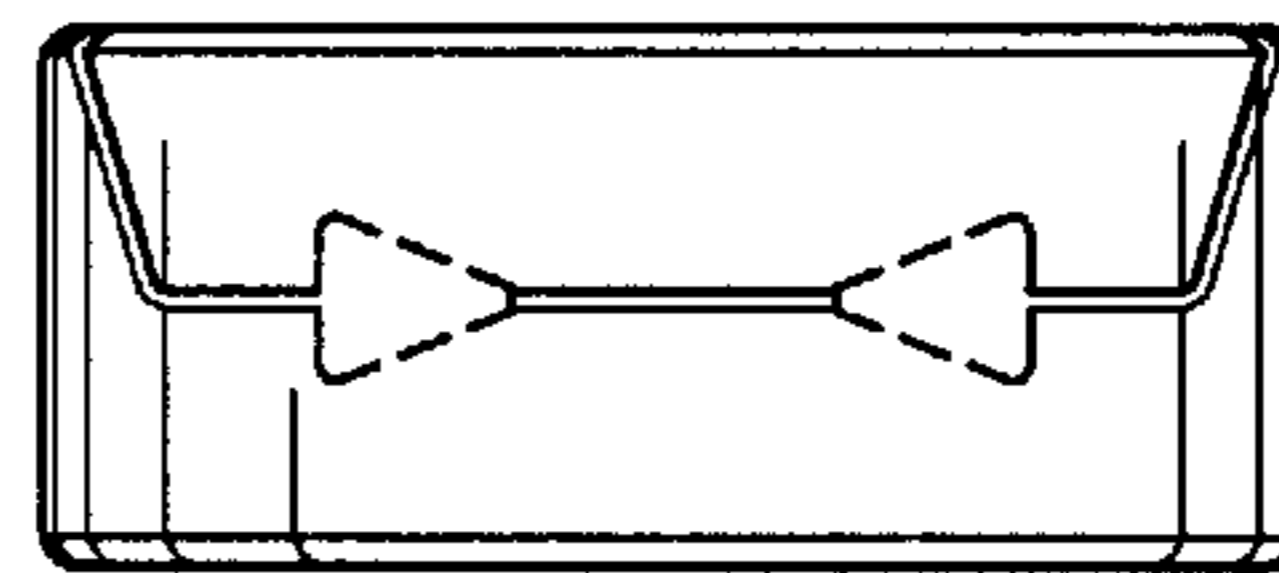


Figure 4

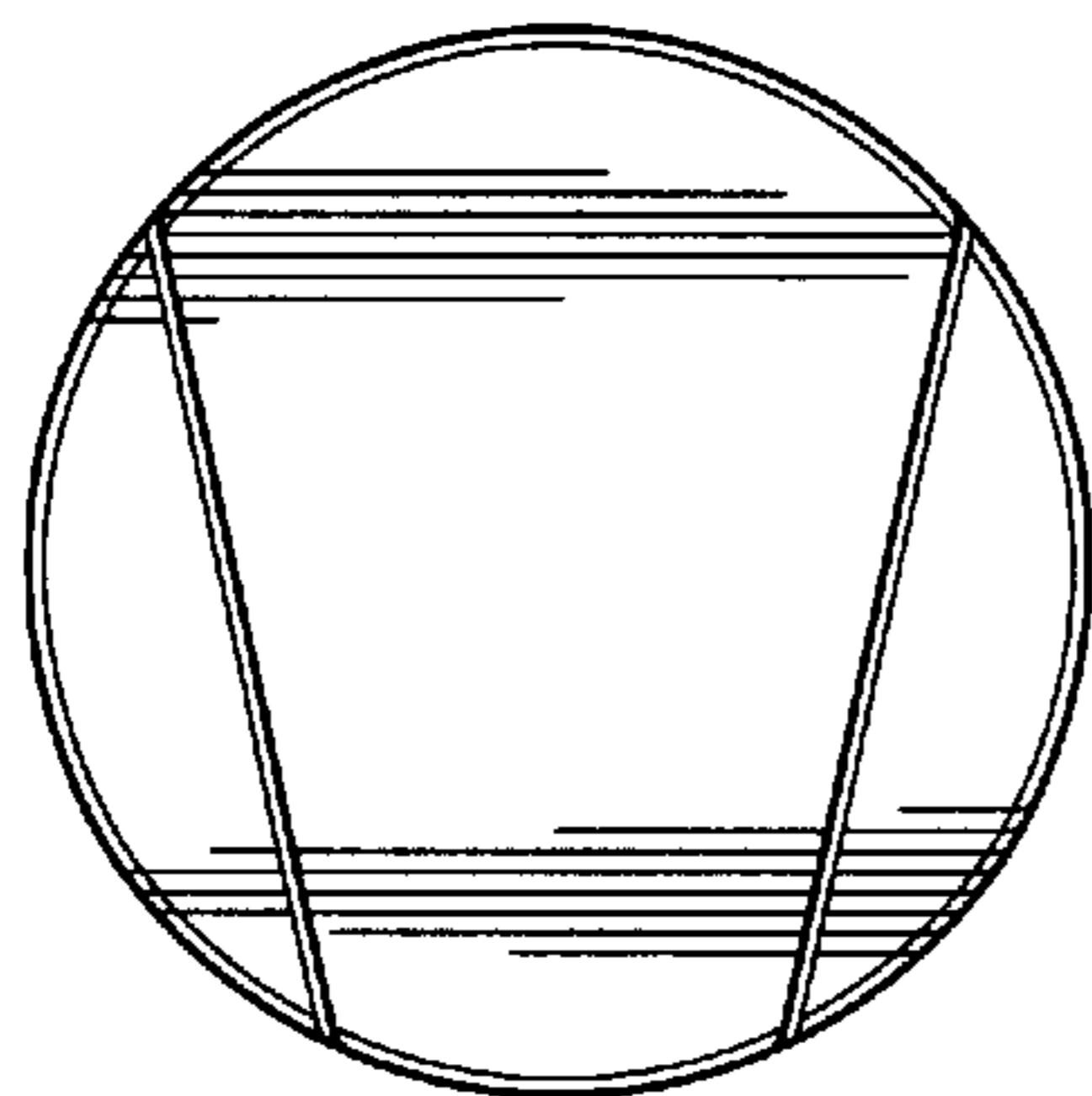


Figure 5

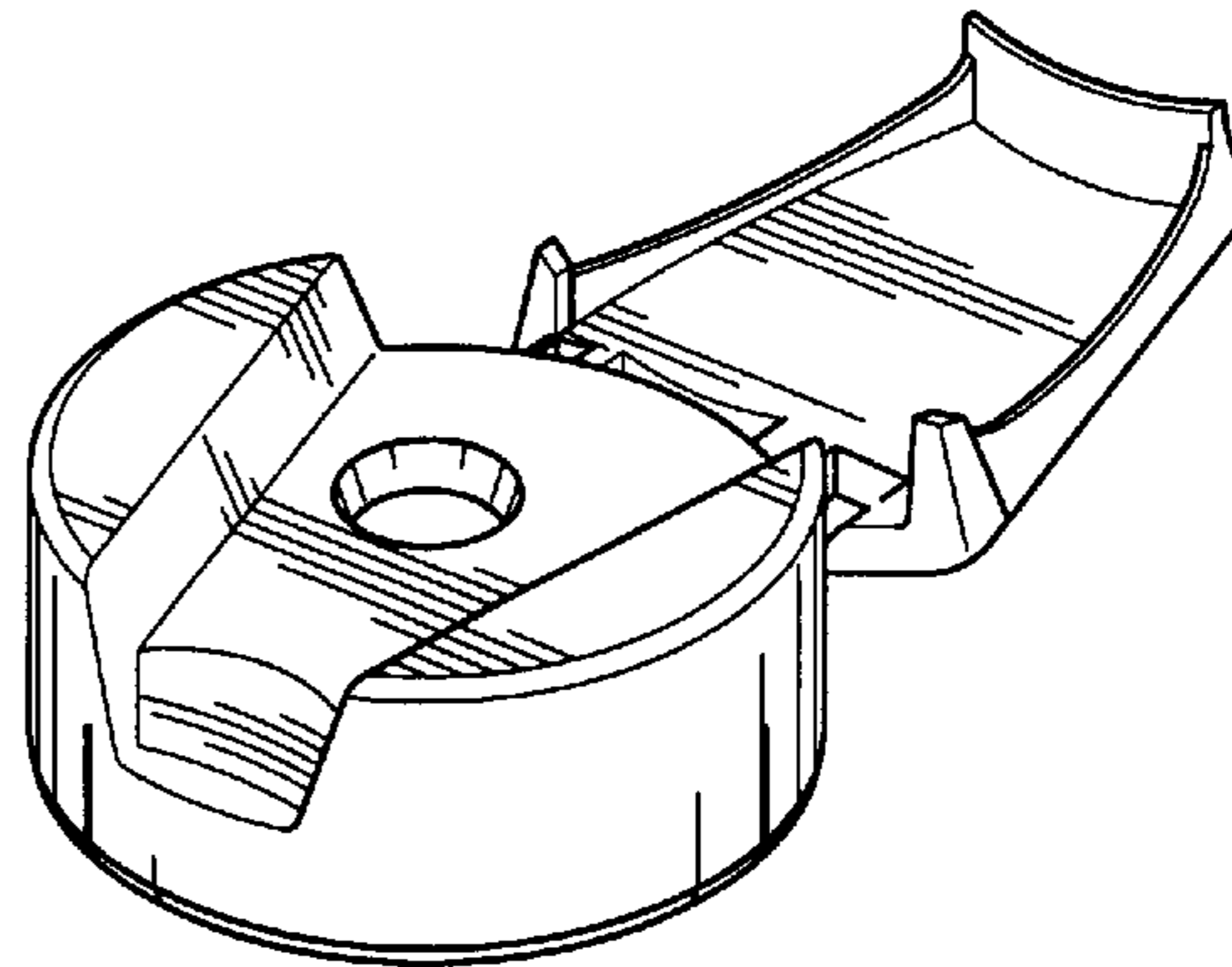


Figure 6

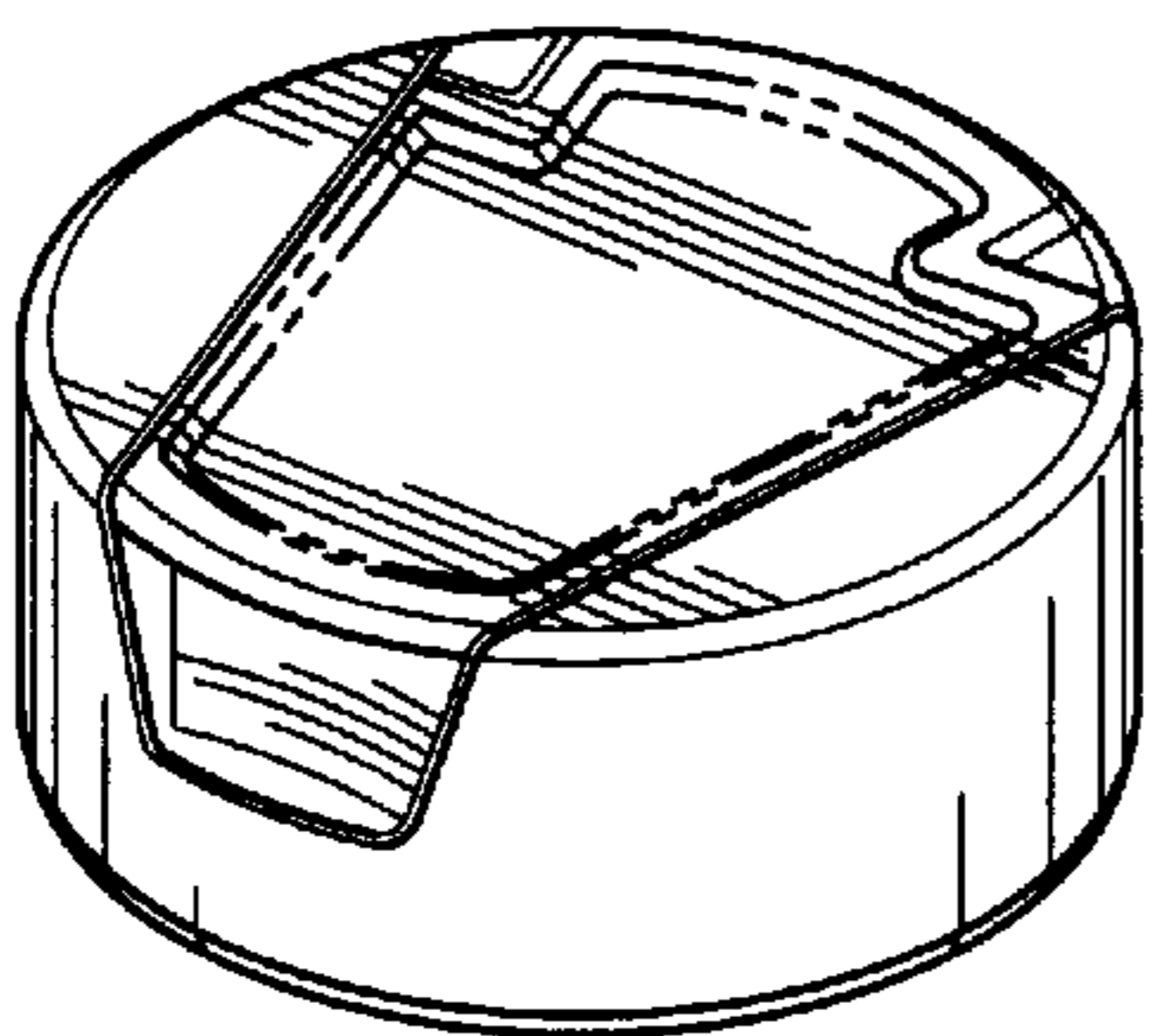


Figure 7

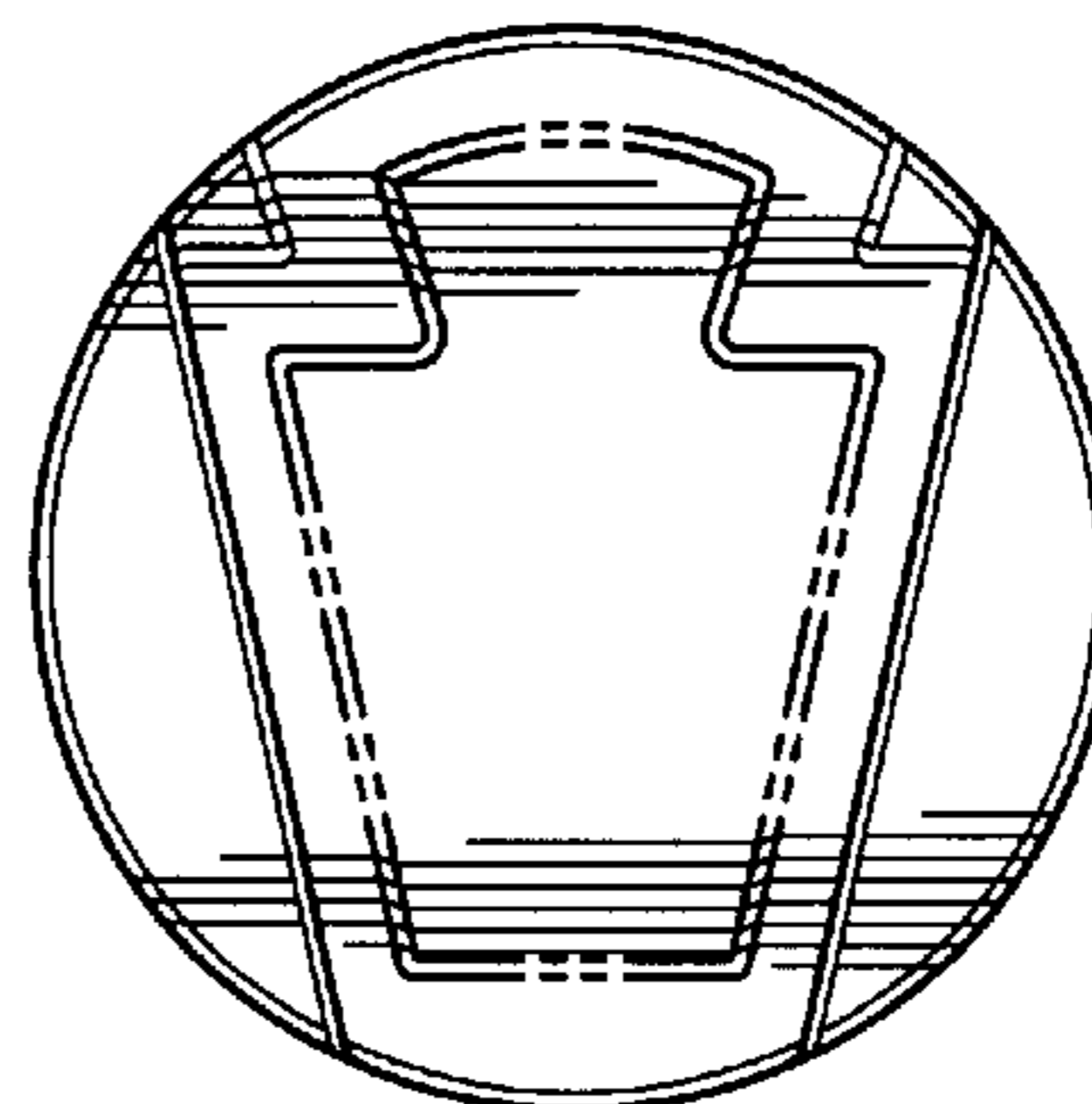


Figure 8