



US00D542129S

(12) **United States Design Patent**
Moorman

(10) **Patent No.:** **US D542,129 S**

(45) **Date of Patent:** **** May 8, 2007**

(54) **CONTAINER**

(75) Inventor: **Stephen E Moorman**, Madera, CA
(US)

(73) Assignee: **Georgia-Pacific Corrugated LLC**,
Atlanta, GA (US)

(**) Term: **14 Years**

5,522,538 A	6/1996	Gray	
5,673,848 A	* 10/1997	Garza	229/191
D389,045 S	* 1/1998	Smiley et al.	D8/378
5,839,651 A	11/1998	Teags et al.	
D401,851 S	12/1998	Teags	
D401,852 S	12/1998	Teags	
5,860,590 A	1/1999	Blomfield et al.	
6,938,818 B2	* 9/2005	Moorman et al.	229/122
2005/0023332 A1	* 2/2005	Moorman et al.	229/122

FOREIGN PATENT DOCUMENTS

NL 1016539 7/2002

* cited by examiner

Primary Examiner—Stella Reid
Assistant Examiner—Mark Goodwin

(21) Appl. No.: **29/246,377**

(22) Filed: **Apr. 5, 2006**

(51) **LOC (8) Cl.** **09-03**

(52) **U.S. Cl.** **D9/431**

(58) **Field of Classification Search** D9/414,
D9/418, 420–423, 430–433; 229/122, 157,
229/120, 156, 113, 171, 174, 178, DIG. 11
See application file for complete search history.

(57) **CLAIM**

The ornamental design for a container, as shown and described.

(56) **References Cited**

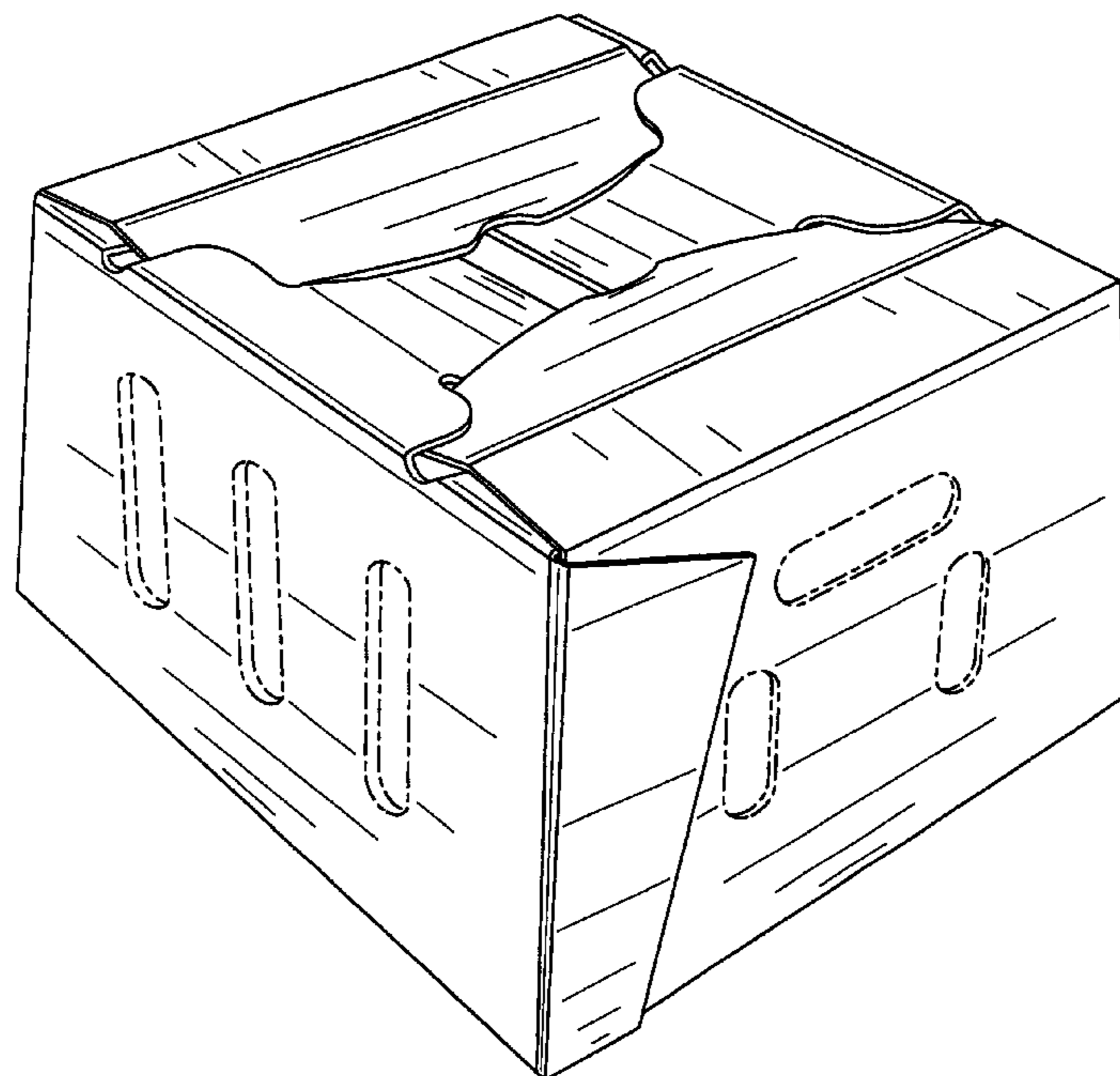
U.S. PATENT DOCUMENTS

1,668,800 A	5/1928	Bonfield	
2,572,610 A	10/1951	Gilbert	
3,178,092 A	4/1965	Munana et al.	
3,343,744 A	* 9/1967	Morell et al.	229/149
3,731,872 A	5/1973	McCormick	
4,127,228 A	11/1978	Hall	
4,245,771 A	1/1981	Christian	
4,529,117 A	7/1985	Brundage	
4,946,093 A	* 8/1990	Moorman	229/125.19
5,002,224 A	* 3/1991	Muise	229/169
5,163,609 A	11/1992	Muise, Jr.	
5,289,970 A	* 3/1994	McClure	229/143
D356,253 S	* 3/1995	Bacchetti et al.	D9/418
5,462,220 A	10/1995	Bacchetti et al.	
5,503,324 A	4/1996	Bacchetti et al.	

DESCRIPTION

FIG. 1 is a perspective top view of a container showing my new design;
FIG. 2 is a right side elevational view thereof;
FIG. 3 is a left side elevational view thereof;
FIG. 4 is a front elevational view thereof;
FIG. 5 is a rear elevational view thereof;
FIG. 6 is a top plan view thereof;
FIG. 7 is a bottom plan view thereof; and,
FIG. 8 is a perspective bottom view thereof.
The broken line showing disclaimed regions in the container shown in FIGS. 1–8 are for illustrative purposes only and form no portion of the claimed design.

1 Claim, 8 Drawing Sheets



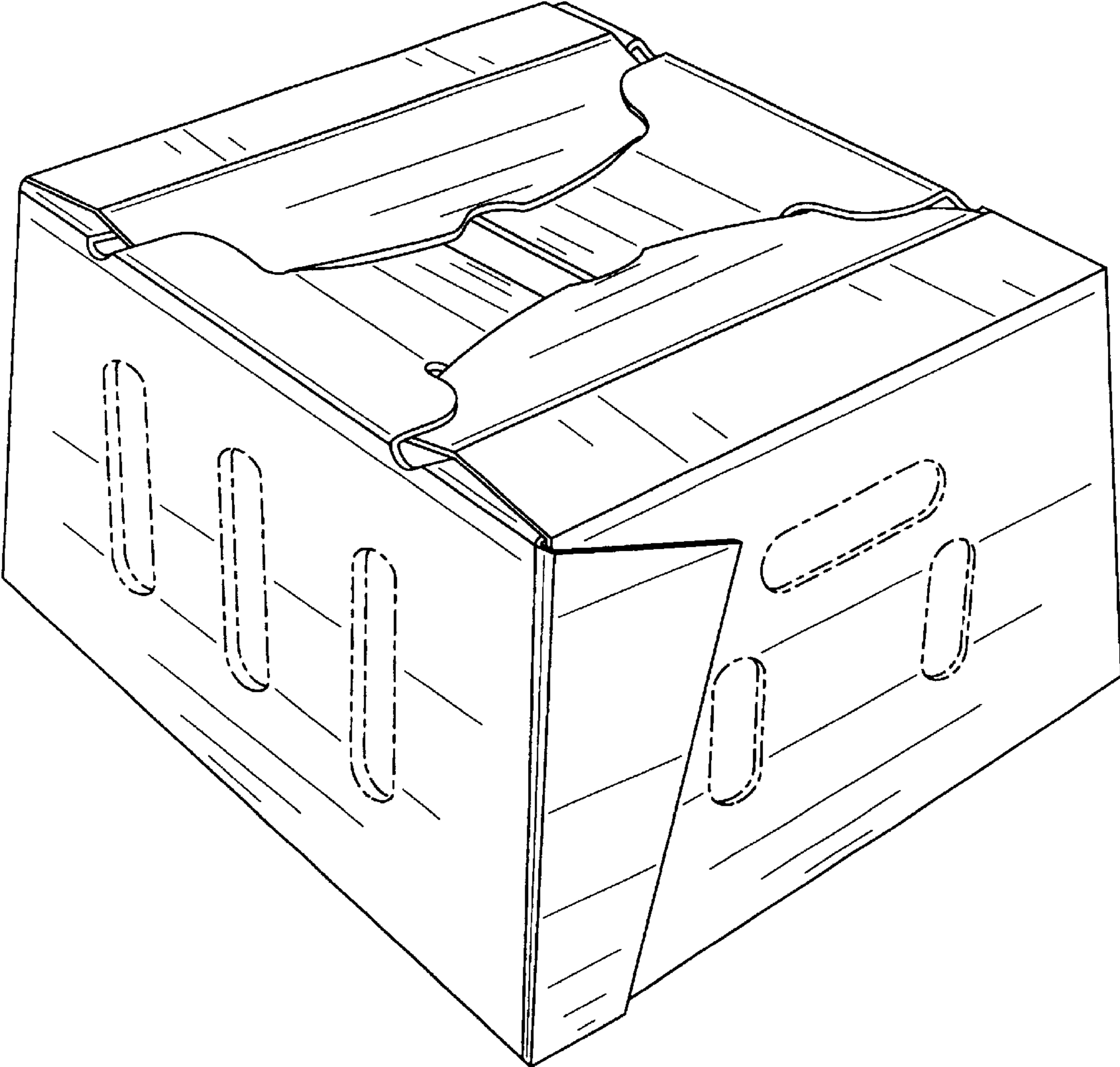


FIG. 1

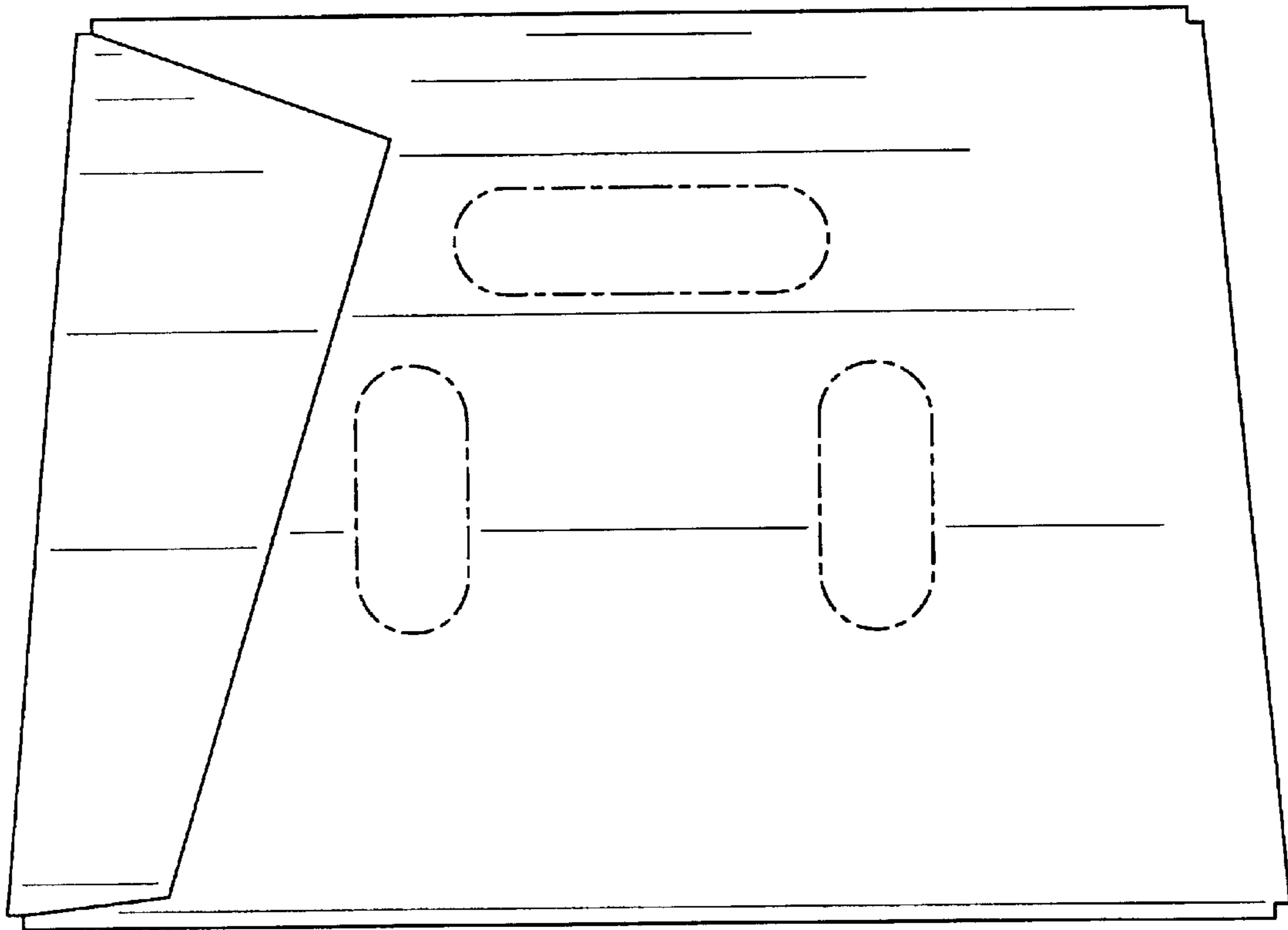


FIG. 2

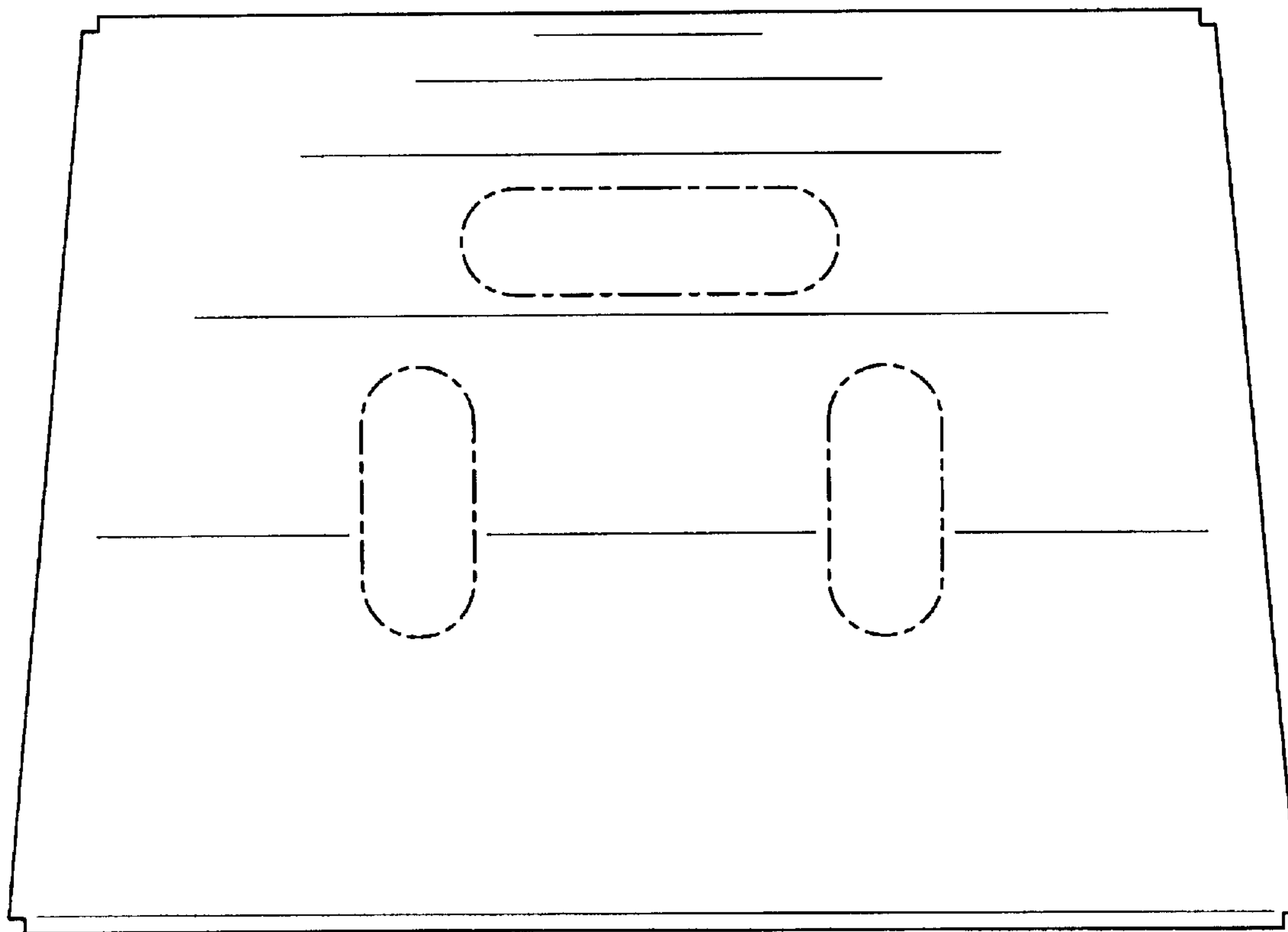


FIG. 3

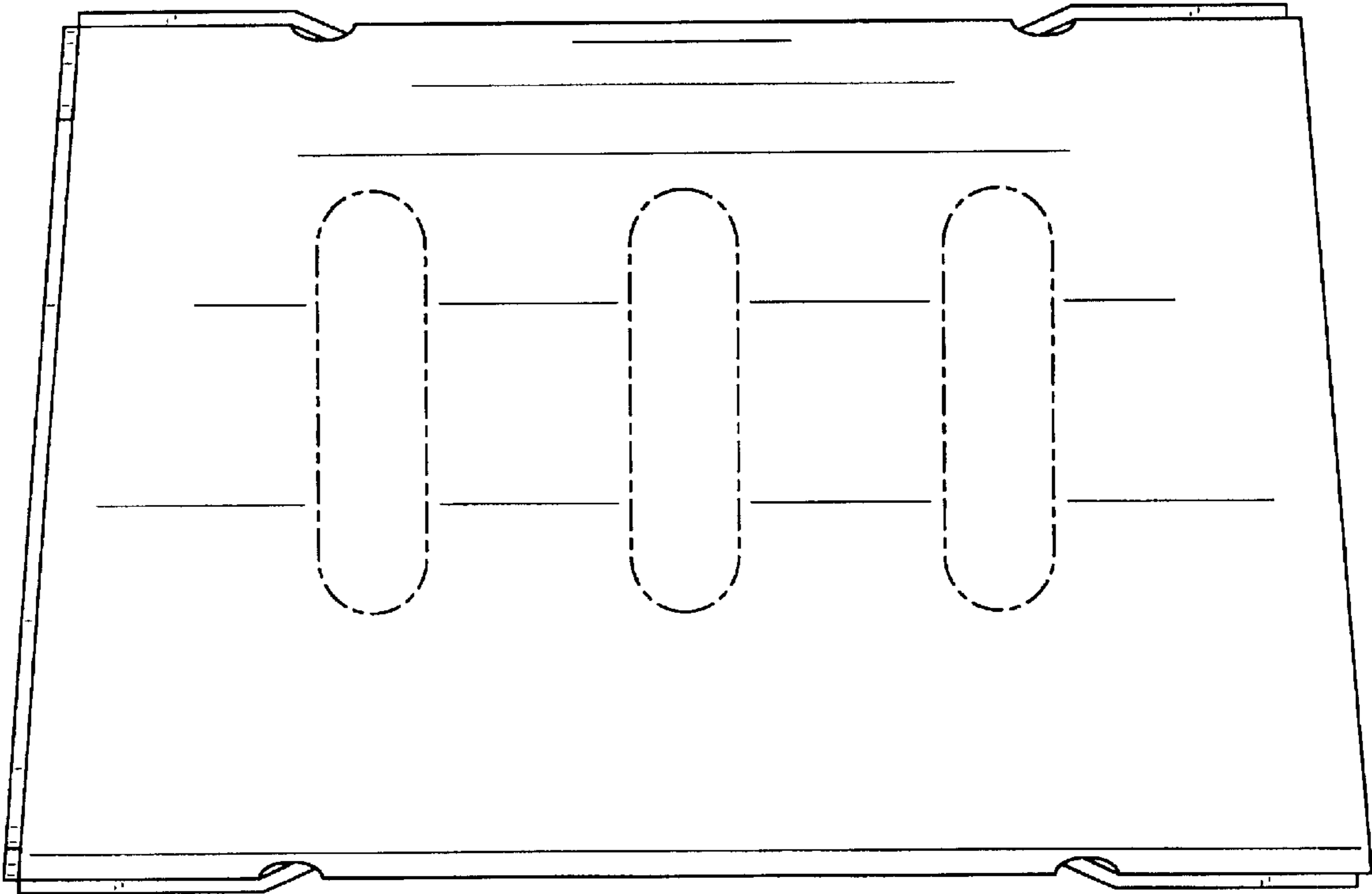


FIG. 4

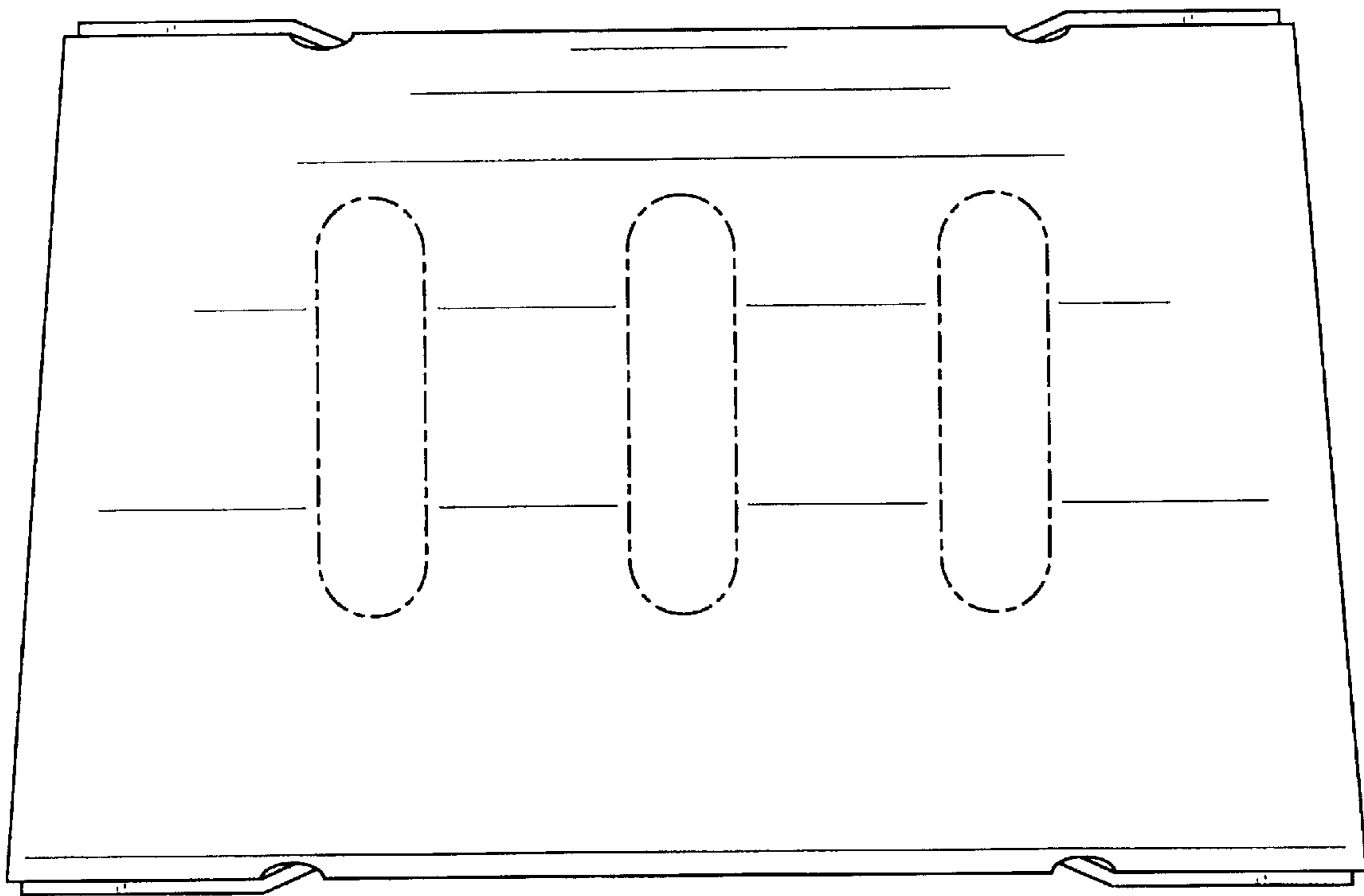


FIG. 5

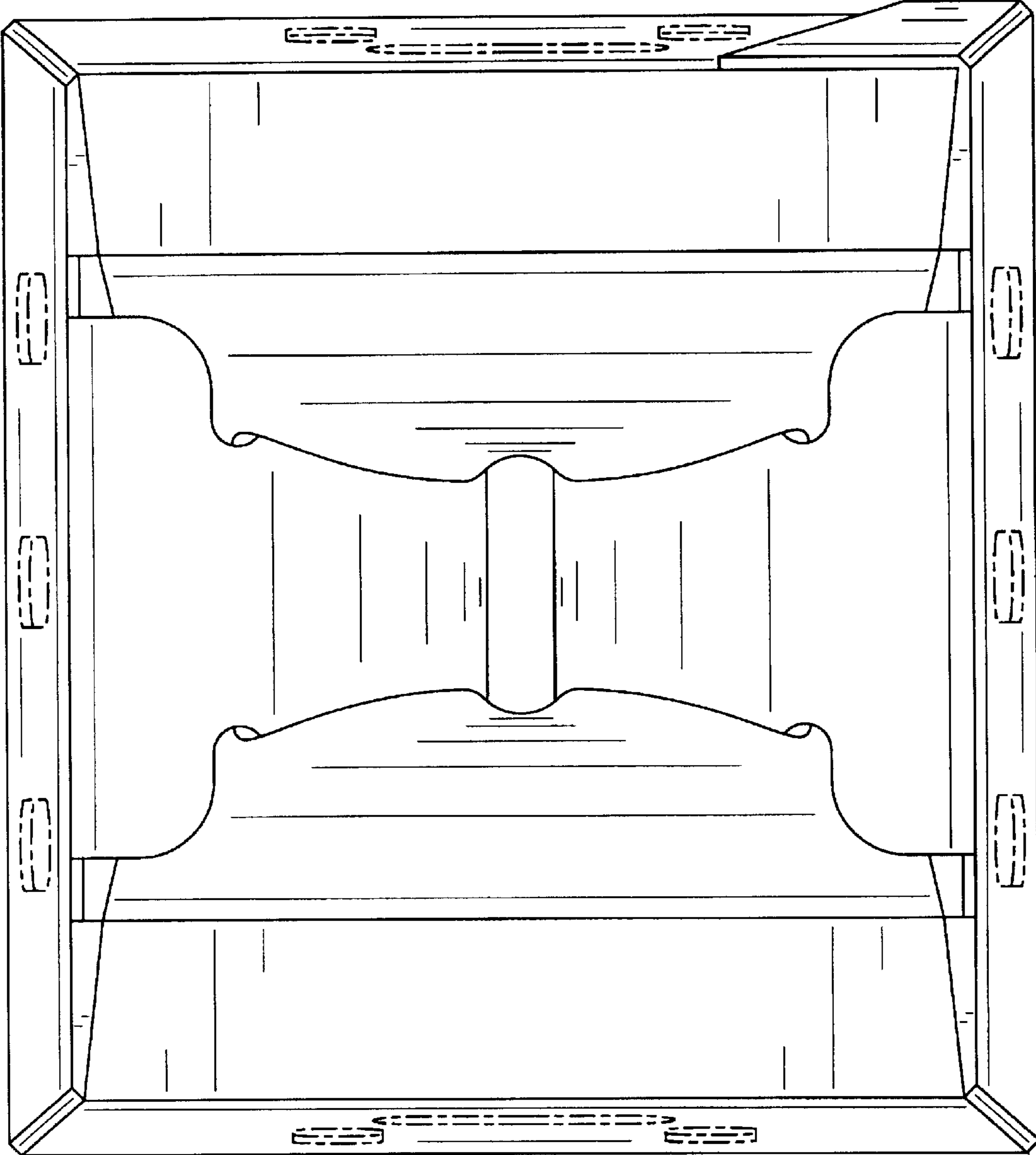


FIG. 6

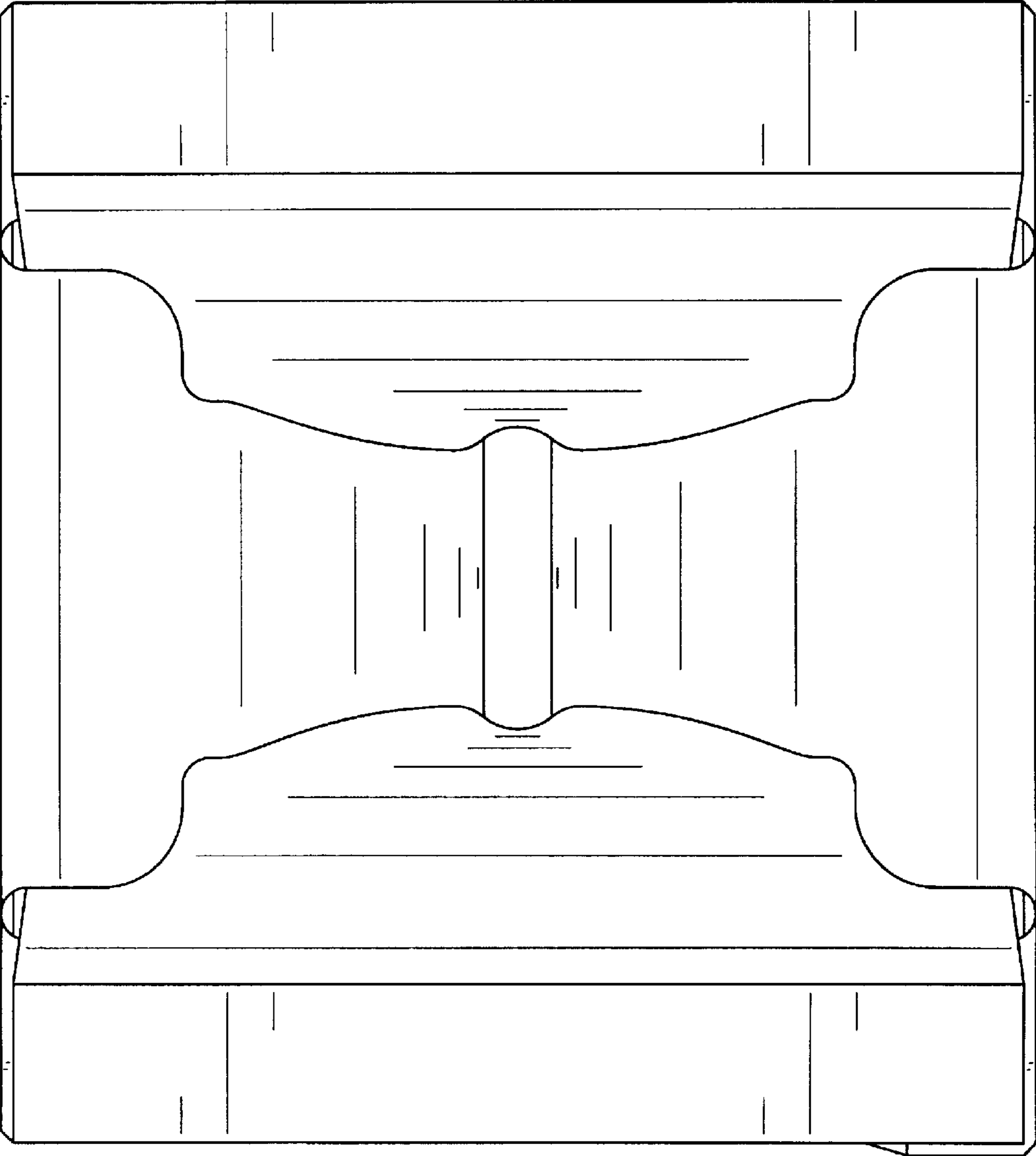


FIG. 7

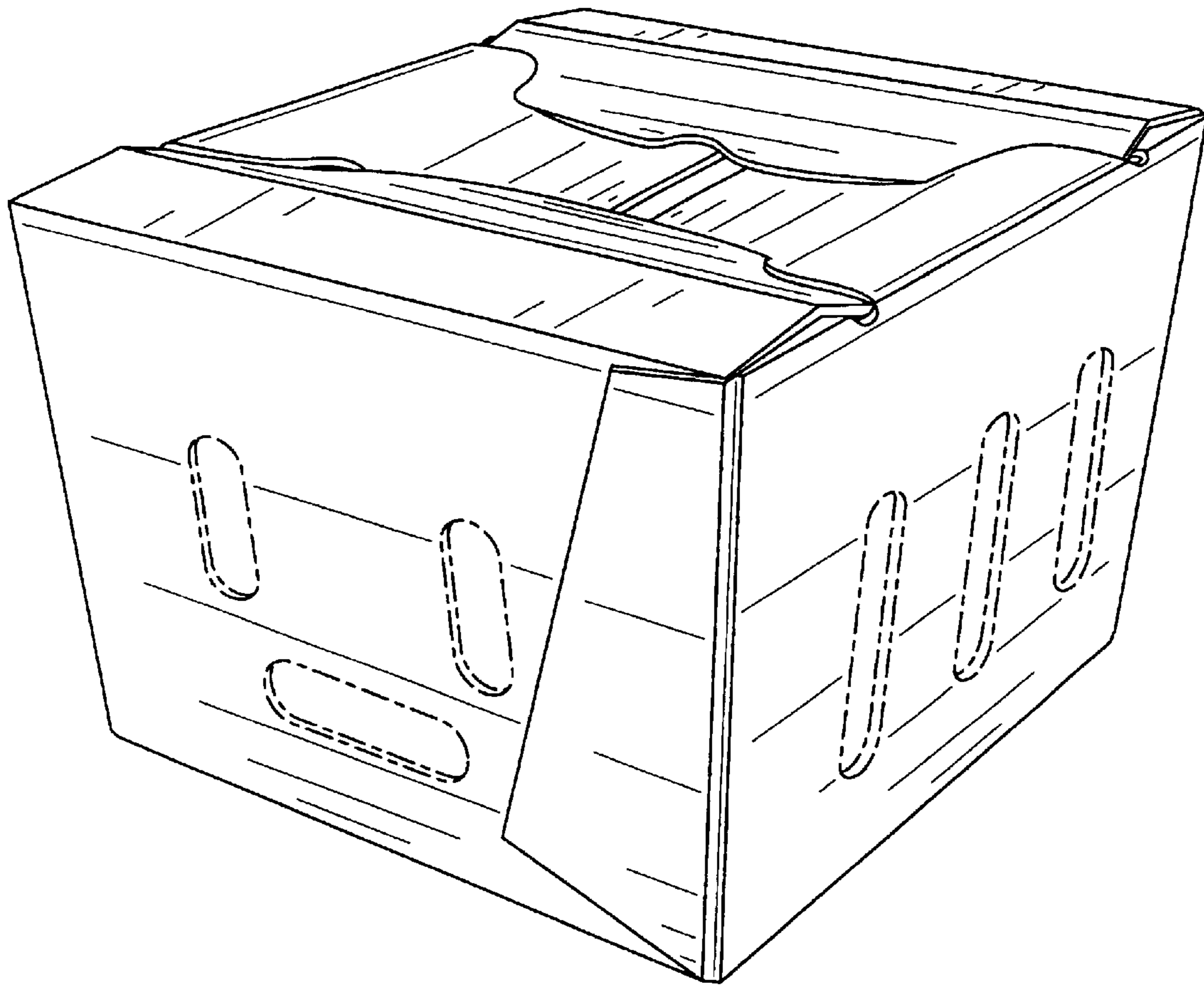


FIG. 8